

PROJECT NAME \_\_\_\_\_

LOCATION \_\_\_\_\_

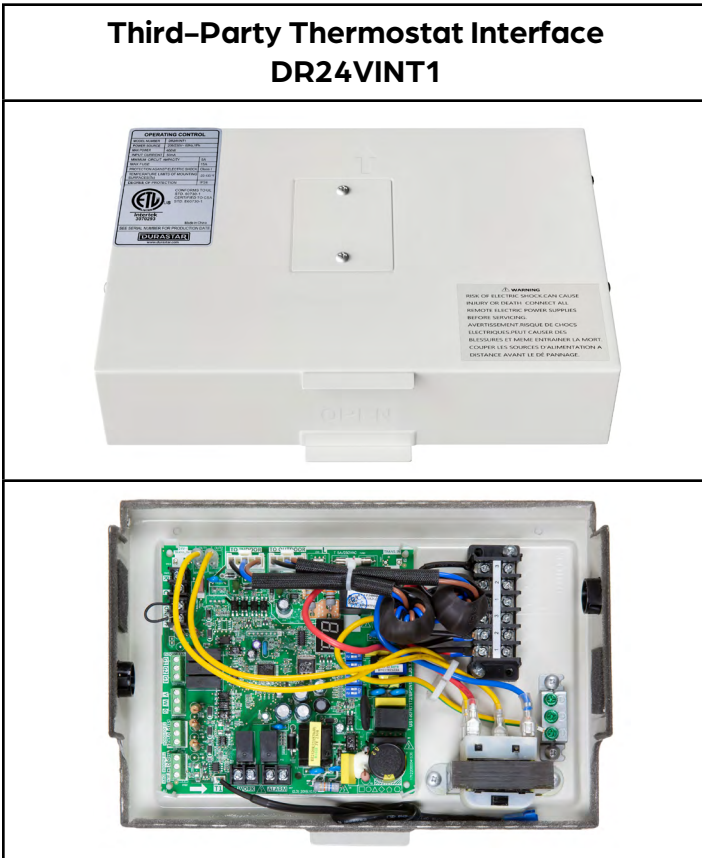
ARCHITECT \_\_\_\_\_

ENGINEER \_\_\_\_\_

CONTRACTOR \_\_\_\_\_

REFERENCE \_\_\_\_\_

SUBMITTED BY \_\_\_\_\_ DATE \_\_\_\_\_



Compatibility		
INDOOR	Wall Mounted	DRAW09F1A, DRAW12F1A, DRAW18F1A, DRAW24F1A DRAW06F1B, DRAW09F1B, DRAW12F1B, DRAW18F1B, DRAW24F1B
	Cassette	DRAL06F1A, DRAL09F1A, DRAL12F1A, DRAL18F1A. DRAC09F1A, DRAC12F1A, DRAC18F1A, DRAC24F1A, DRAC24F1B
	Slim Ducted	DRAD09F1A, DRAD12F1A, DRAD18F1A, DRAD24F1A
	Floor/Ceiling	DRAF18F1A, DRAF24F1A
	Floor Mounted	DRAS12F1A, DRAS12F1B
OUTDOOR	Single Zone	DRA1U09S1A, DRA1U12S1A, DRA1U18S1A, DRA1U24S1A DRA1U09S1B, DRA1U12S1B, DRA1U18S1B, DRA1U24S1B DRA1H09S1A, DRA1H12S1A, DRA1H18S1A, DRA1H24S1A
	Multi-Zone	DRA2U18M1A, DRA3U28M1A, DRA4U36M1A, DRA5U48M1A DRA2U18M1B, DRA3U28M1B, DRA4U36M1B, DRA5U48M1B, DRA5U55M1B DRA2H18M1A, DRA3H28M1A, DRA4H36M1A, DRA5H48M1A, DRA5H55M1A

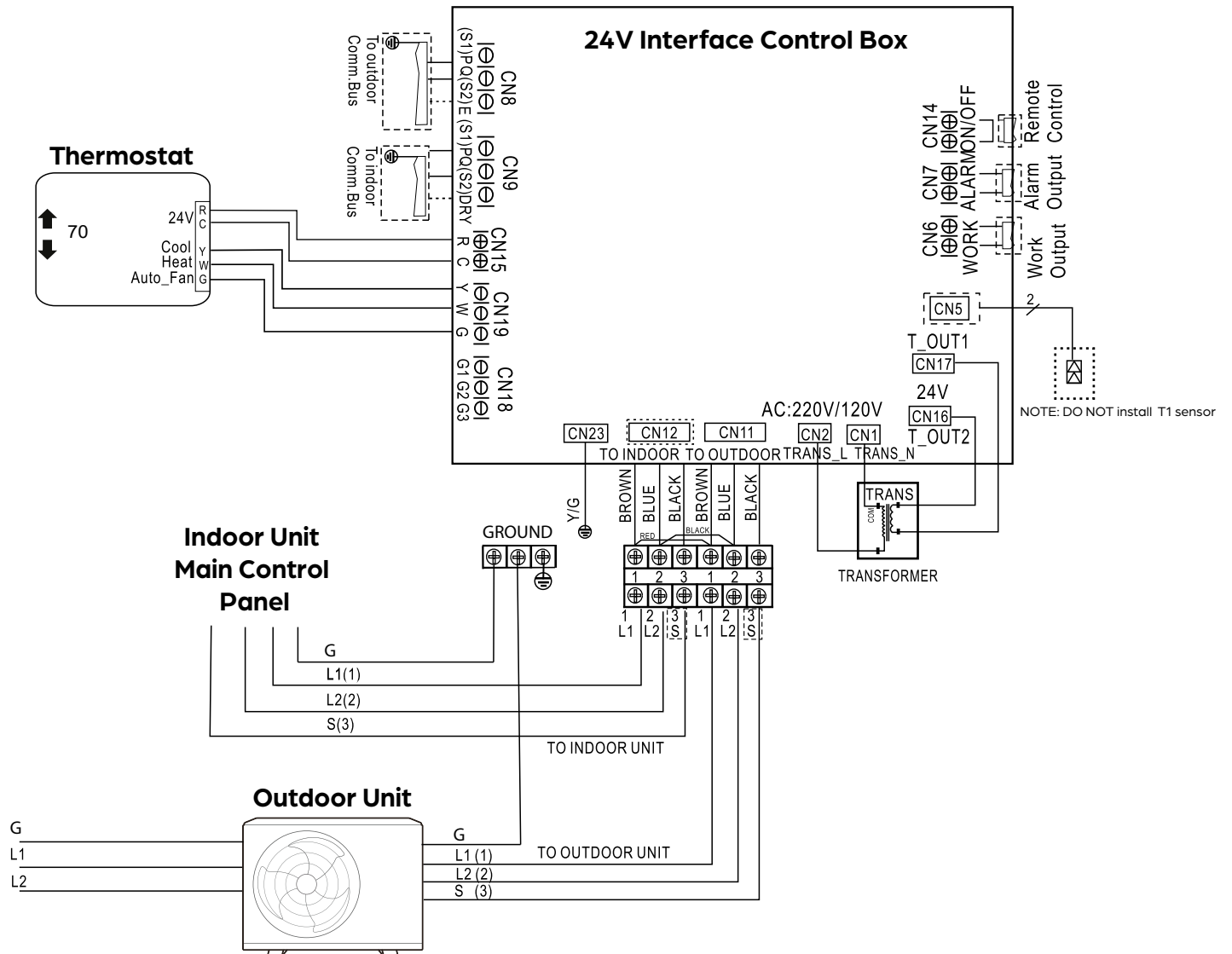
### Product Features

- Compatible with all Durastar Multi-Split units
- Works with standard (wifi and non-wifi) 24VAC HVAC thermostats, such as NEST, Ecobee, Honeywell, etc.
- Connects one indoor unit per interface
- Keeps the DURASTAR inverter compressor operating as a variable speed system
- For indoor use only

Specifications	
Power Source	208-230V, 1 Phase, 60 Hz
Max. Power	400W
Input Current	50mA
Min. Circuit Ampacity	5A
Max. Fuse	15A
Degree of Protection	IP24



# Wiring Diagram



### Interface Dimensions

