



36,000 BTU/H MULTI-ZONE HEAT PUMP SYSTEM

SUBMITTAL COVER SHEET

PROJECT NAME _____

LOCATION _____

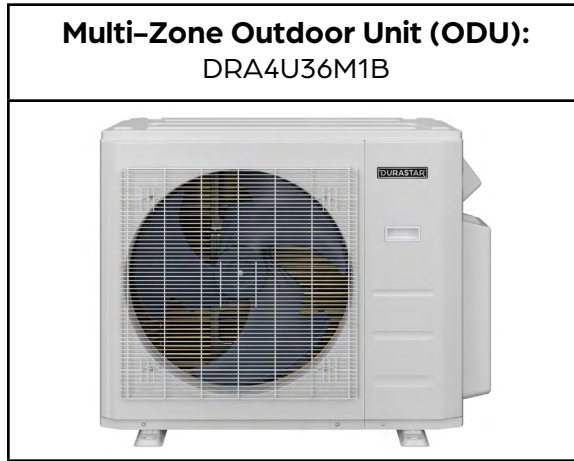
ARCHITECT _____

ENGINEER _____

CONTRACTOR _____

REFERENCE _____

SUBMITTED BY _____ DATE _____



PRODUCT FEATURES

- Variable speed inverter compressor
- Quiet operation
- Low ambient heating down to -13 °F
- Low ambient cooling down to 5 °F
- Included base pan heater
- Auto restart
- Anti-corrosive coil coating
- Port adaptors included

| SYSTEM DATA | |
|--------------------------|--------------------|
| Refrigerant Type | R-410A |
| Refrigerant Charge (oz.) | 134.04 |
| Design Pressure (PSIG) | 550/340 |
| Outdoor Coil Coating | Golden Fin Coating |

| CAPACITIES | | DUCTLESS | MIXED | DUCTED |
|---|----------------------|-------------|-------|--------|
| Cooling (BTU/hr) | Rated ¹ | 36000 | 36000 | 36000 |
| | at 5 °F ³ | 29370 | 29000 | 28630 |
| | Minimum | 9200 | 8994 | 8789 |
| | Maximum | 40160 | 40224 | 40288 |
| Heating (BTU/hr) | Rated ² | 37000 | 37000 | 37000 |
| | at 5 °F ⁴ | 24670 | 24390 | 24110 |
| | Minimum | 8500 | 7700 | 6900 |
| | Maximum | 46600 | 46612 | 46624 |
| Nominal IDU Capacity ⁵ (Min/Max) | | 18000/48000 | | |

| EFFICIENCY DATA | DUCTLESS | MIXED | DUCTED |
|-----------------|----------|-------|--------|
| SEER2 | 23.10 | 21.55 | 20.00 |
| EER2 | 10.60 | 10.80 | 11.00 |
| HSPF2 | 9.60 | 9.40 | 9.20 |
| SEER | 21.80 | 20.65 | 19.50 |
| EER | 10.50 | 10.75 | 11.00 |
| HSPF | 11.50 | 11.10 | 10.70 |
| COP at 47 °F | 3.00 | 3.30 | 3.60 |
| COP at 5 °F | 1.77 | 1.73 | 1.68 |

Specifications are subject to change without notice.
© 2022 Ferguson Enterprises LLC
www.durastar.com





36,000 BTU/H MULTI-ZONE HEAT PUMP SYSTEM

SPECIFICATIONS - DRA4U36M1B

| LINE SET REQUIREMENTS | |
|---|--|
| Connection Type | Flare |
| Liquid | 4 x Ø1/4" (Ø6.35mm) |
| Gas | 3 x Ø3/8" (Ø9.52mm) 1 x Ø1/2" (Ø12.7mm) |
| Refrigeration Adaptors Included | 3 x 3/8"--1/2" 1 x 1/2"--3/8" 1 x 1/4"--3/8" 1 x 1/2"--5/8" |
| Minimum Indoor Units Connected | 2 |
| Pre-Charge Length | 30' |
| Maximum Length (combined IDUs) | 262' |
| Maximum Length (per IDU) | 115' |
| Minimum Length (per IDU) | 10' |
| Max. Height Differential between IDU and ODU | 49' |
| Additional Refrigerant for Ø1/4" Liquid Pipe (oz./ft) | 0.161 |
| Additional Refrigerant for Ø3/8" Liquid Pipe (oz./ft) | 0.322 |

| OUTDOOR UNIT DATA | | |
|-------------------------------|----------------|-----------|
| Unit Dimensions | Width | 37 1/4" |
| | Depth | 16 1/8" |
| | Height | 31 7/8" |
| Carton Dimensions | Width | 42 15/16" |
| | Depth | 19 11/16" |
| | Height | 34 13/16" |
| Net Weight | 169 lbs. | |
| Gross Weight | 181 lbs. | |
| Cooling Operating Temperature | 5 °F - 122 °F | |
| Heating Operating Temperature | -13 °F - 75 °F | |
| Airflow (CFM) | 2147 | |
| Sound Pressure (dB(A)) | 63 | |
| Fan Speed (r/min) | Low | 750 |
| | Medium | 900 |
| | High | 1000 |
| Fan Motor Current Type | DC | |

| ELECTRICAL DATA | DUCTLESS | DUCTED |
|---|--------------------------|--------|
| Voltage/Phase/Frequency | 208-230V, 1 Phase, 60 Hz | |
| Voltage Range | 187-253V | |
| Recommended Breaker (Amps) | 40 | |
| Minimum Circuit Ampacity (Amps) | 25 | |
| Communication Wire Size | 14*4 AWG Stranded | |
| Rated Current - Cooling (Amps) ¹ | 15.4 | 14.8 |
| Rated Current - Heating (Amps) ² | 15.4 | 13.0 |

| COMPRESSOR | |
|------------------|----------------------------------|
| Type | DC Inverter Twin Cylinder Rotary |
| Oil Type | VG74 |
| Oil Charge (oz.) | 33.8 (1000 ml) |

¹ Measured at 95 °F.

² Measured at 47 °F.

³ Sensible Capacity: Indoor 80 °F DB, 67 °F WB // Outdoor 5 °F DB, 4 °F WB

⁴ Maximum Capacity: Indoor 70 °F DB, 67 °F WB // Outdoor 5 °F DB, 4 °F WB

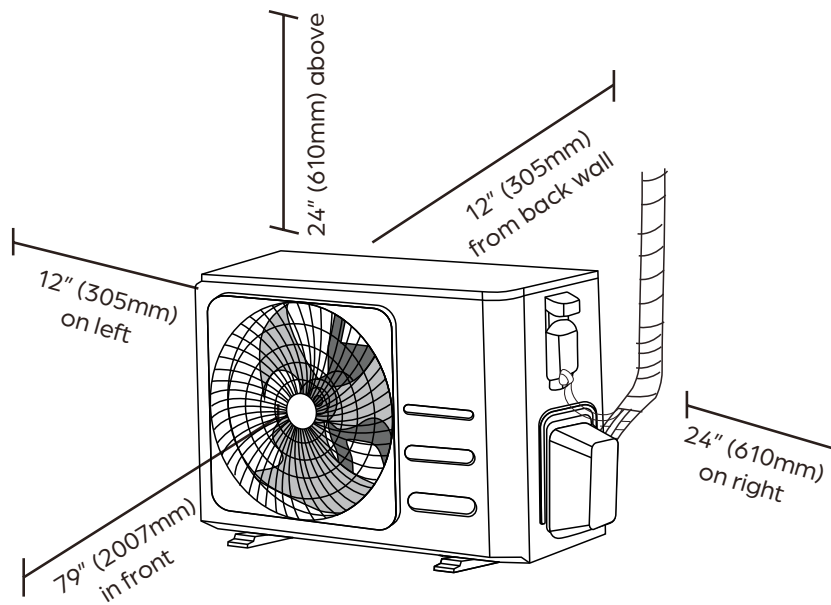
⁵ If the total indoor unit load exceeds the nominal capacity of the outdoor unit, the practical output capacity of each indoor unit will be correspondingly reduced. This situation is very evident during heating mode.



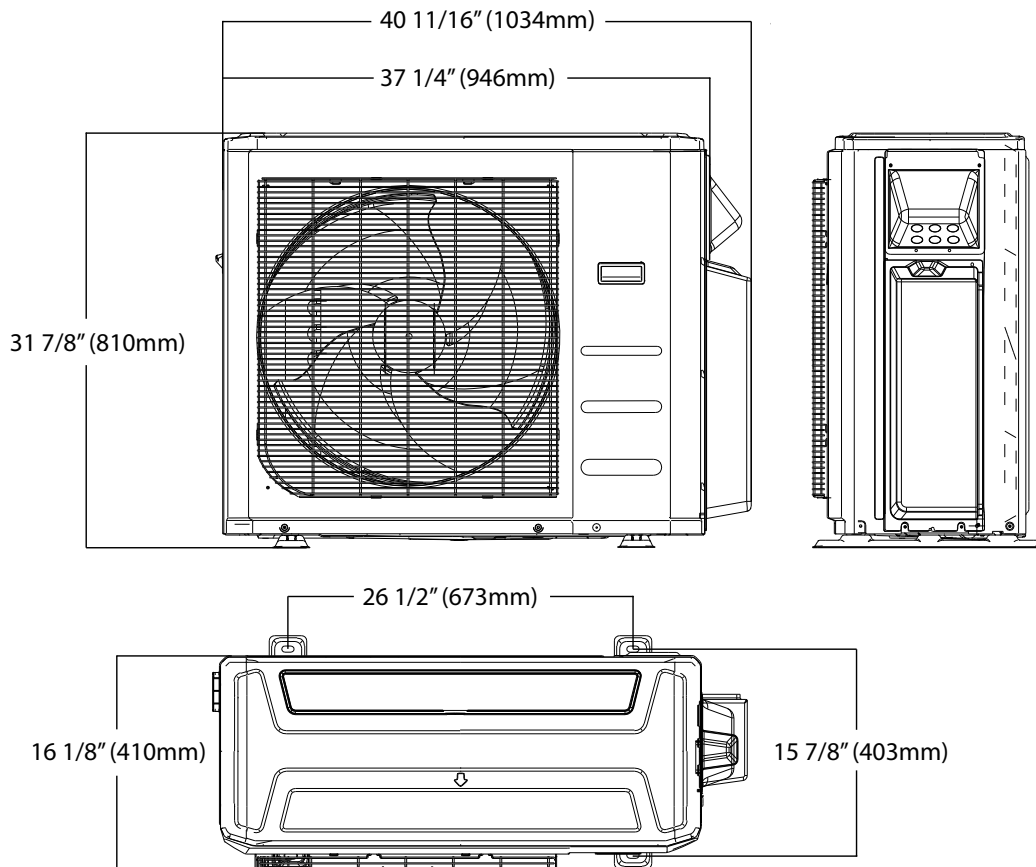
38,000 BTU/H MULTI-ZONE HEAT PUMP SYSTEM

ODU DIMENSIONS - DRA4U36M1B

Clearances



Dimensions



NOTE

Illustrations in this document are for explanatory purposes. The actual shape of your mini-split equipment may vary slightly.

Specifications are subject to change without notice.

© 2022 Ferguson Enterprises LLC

www.durastar.com