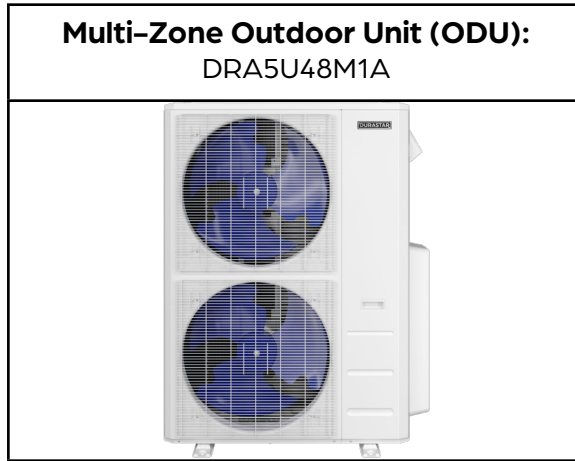




48,000 BTU/H MULTI-ZONE HEAT PUMP SYSTEM

SUBMITTAL COVER SHEET

PROJECT NAME _____
 LOCATION _____
 ARCHITECT _____
 ENGINEER _____
 CONTRACTOR _____
 REFERENCE _____
 SUBMITTED BY _____ DATE _____



CAPACITIES		DUCTLESS	DUCTED
Cooling Capacity (BTU/hr)	Rated ¹	48000	49000
	Minimum	14500	19400
	Maximum	53100	51000
Heating Capacity (BTU/hr)	Rated ²	48000	50000
	Minimum	14000	15500
	Maximum	56900	56000

EFFICIENCY DATA	DUCTLESS	DUCTED
SEER	21.5	20.5
EER	11.6	10.1
HSPF	10.4	11.5

OUTDOOR TEMPERATURE OPERATION	
Cooling	-13 °F - 122 °F (-25° C - 50° C)
Heating	-13 °F - 86 °F (-25° C - 30° C)

ELECTRICAL DATA	DUCTLESS	DUCTED
Voltage/Phase/Frequency	208-230V, 1 Phase, 60 Hz	
Voltage Range	187-253V	
Recommended Breaker (Amps)	50	
Minimum Circuit Ampacity (Amps)	35	
Minimum Wire Size	16 AWG	
Rated Current - Cooling (Amps) ¹	16.7	21.1
Rated Current - Heating (Amps) ²	17.0	17.8

PRODUCT FEATURES

- Variable Speed Inverter Compressor
- Included Base Pan Heater
- Auto Restart

¹ Measured at 95 °F.

² Measured at 47 °F.





48,000 BTU/H MULTI-ZONE HEAT PUMP SYSTEM

SPECIFICATIONS - DRA5U48M1A

SYSTEM DATA	
Refrigerant Type	R-410A
Refrigerant Charge (oz.)	162
Oil Type	VG74
Oil Charge (oz.)	47.34 (1400 ml)
Design Pressure	550/340 PSIG

LINE SET REQUIREMENTS	
Connection Type	Flare
Liquid	5 x Ø1/4" (Ø6.35mm)
Gas	3 x Ø3/8" (Ø9.52mm) 2 x Ø1/2" (Ø12.7mm)
Pre-Charge Length	123'
Maximum Length (all indoor units)	262'
Maximum Length (one indoor unit)	115'
Minimum Length (one indoor unit)	10'
Max. Height Differential between indoor and outdoor unit	49'
Max. Height Differential between indoor units	33'
Additional Refrigerant (oz/ft)	0.16

OUTDOOR UNIT FAN DATA		
Speed (r/min)	Low	600
	Medium	700
	High	800
Type	DC	
RLA (A)	1.178	

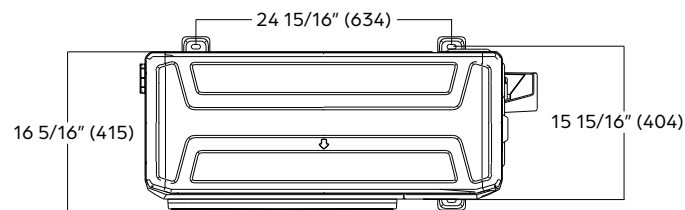
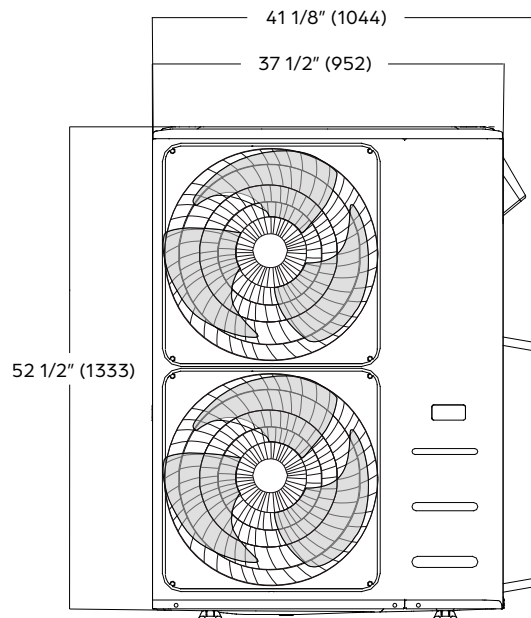
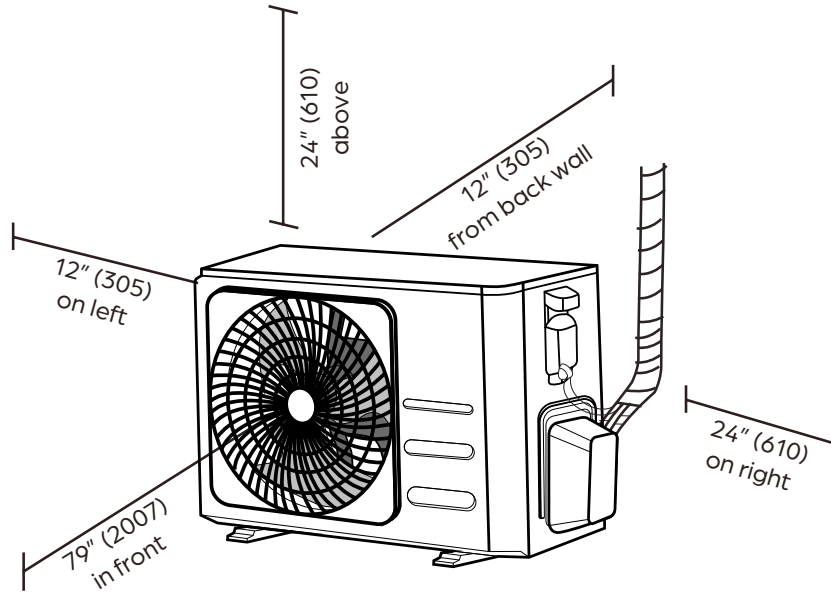
SOUND PRESSURE (dB(A))	
Airflow (CFM)	4500
Sound Pressure (dB(A))	64

OUTDOOR UNIT DIMENSIONS		
Unit Dimensions	Width	37 1/2"
	Depth	16 5/16"
	Height	52 1/2"
Carton Dimensions	Width	43 1/8"
	Depth	19 1/2"
	Height	58 1/4"
Net Weight	223.8 lbs.	
Gross Weight	255.1 lbs.	



48,000 BTU/H MULTI-ZONE HEAT PUMP SYSTEM

ODU DIMENSIONS - DRA5U48M1A



NOTE

Illustrations in this document are for explanatory purposes. The actual shape of your mini-split equipment may vary slightly.