



36,000 BTU/H MULTI-ZONE HEAT PUMP SYSTEM

SUBMITTAL COVER SHEET

PROJECT NAME _____

LOCATION _____

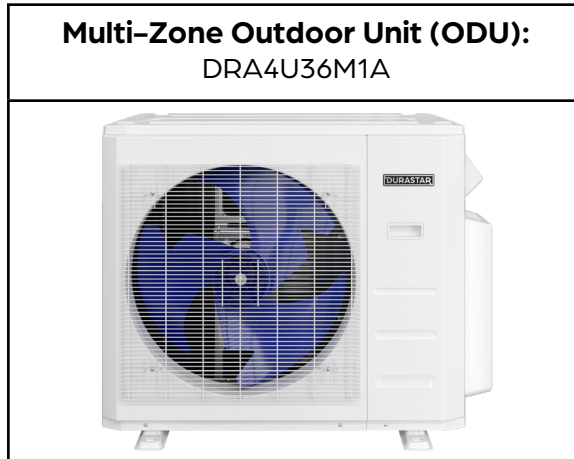
ARCHITECT _____

ENGINEER _____

CONTRACTOR _____

REFERENCE _____

SUBMITTED BY _____ DATE _____



CAPACITIES		DUCTLESS	DUCTED
Cooling Capacity (BTU/hr)	Rated ¹	36000	30000
	Minimum	10800	9900
	Maximum	38800	38000
Heating Capacity (BTU/hr)	Rated ²	36000	30000
	Minimum	11000	7600
	Maximum	37900	43000

EFFICIENCY DATA	DUCTLESS	DUCTED
SEER	22.5	21.0
EER	10.9	10.0
HSPF	10.3	10.0

OUTDOOR TEMPERATURE OPERATION	
Cooling	-13 °F - 122 °F (-25 °C - 50 °C)
Heating	-13 °F - 86 °F (-25 °C - 30 °C)

ELECTRICAL DATA	DUCTLESS	DUCTED
Voltage/Phase/Frequency	208-230V, 1 Phase, 60 Hz	
Voltage Range	187-253V	
Recommended Breaker (Amps)	45	
Minimum Circuit Ampacity (Amps)	30	
Minimum Wire Size	16 AWG	
Rated Current - Cooling (Amps) ¹	13.6	15.7
Rated Current - Heating (Amps) ²	13.5	13.2

PRODUCT FEATURES

- Variable Speed Inverter Compressor
- Included Base Pan Heater
- Auto Restart

¹ Measured at 95 °F.

² Measured at 47 °F.





36,000 BTU/H MULTI-ZONE HEAT PUMP SYSTEM

SPECIFICATIONS - DRA4U36M1A

SYSTEM DATA	
Refrigerant Type	R-410A
Refrigerant Charge (oz.)	105.8
Oil Type	VG74
Oil Charge (oz.)	22.65 (670 ml)
Design Pressure (PSIG)	550/340

OUTDOOR UNIT FAN DATA		
Speed (r/min)	Low	600
	Medium	750
	High	900
Type	DC	
RLA (A)	1.39	

LINE SET REQUIREMENTS	
Connection Type	Flare
Liquid	4 x Ø1/4" (Ø6.35mm)
Gas	3 x Ø3/8" (Ø9.52mm) 1 x Ø1/2" (Ø12.7mm)
Pre-Charge Length	98'
Maximum Length (all indoor units)	262'
Maximum Length (one indoor unit)	115'
Minimum Length (one indoor unit)	10'
Max. Height Differential between indoor and outdoor unit	49'
Max. Height Differential between indoor units	33'
Additional Refrigerant (oz/ft)	0.16

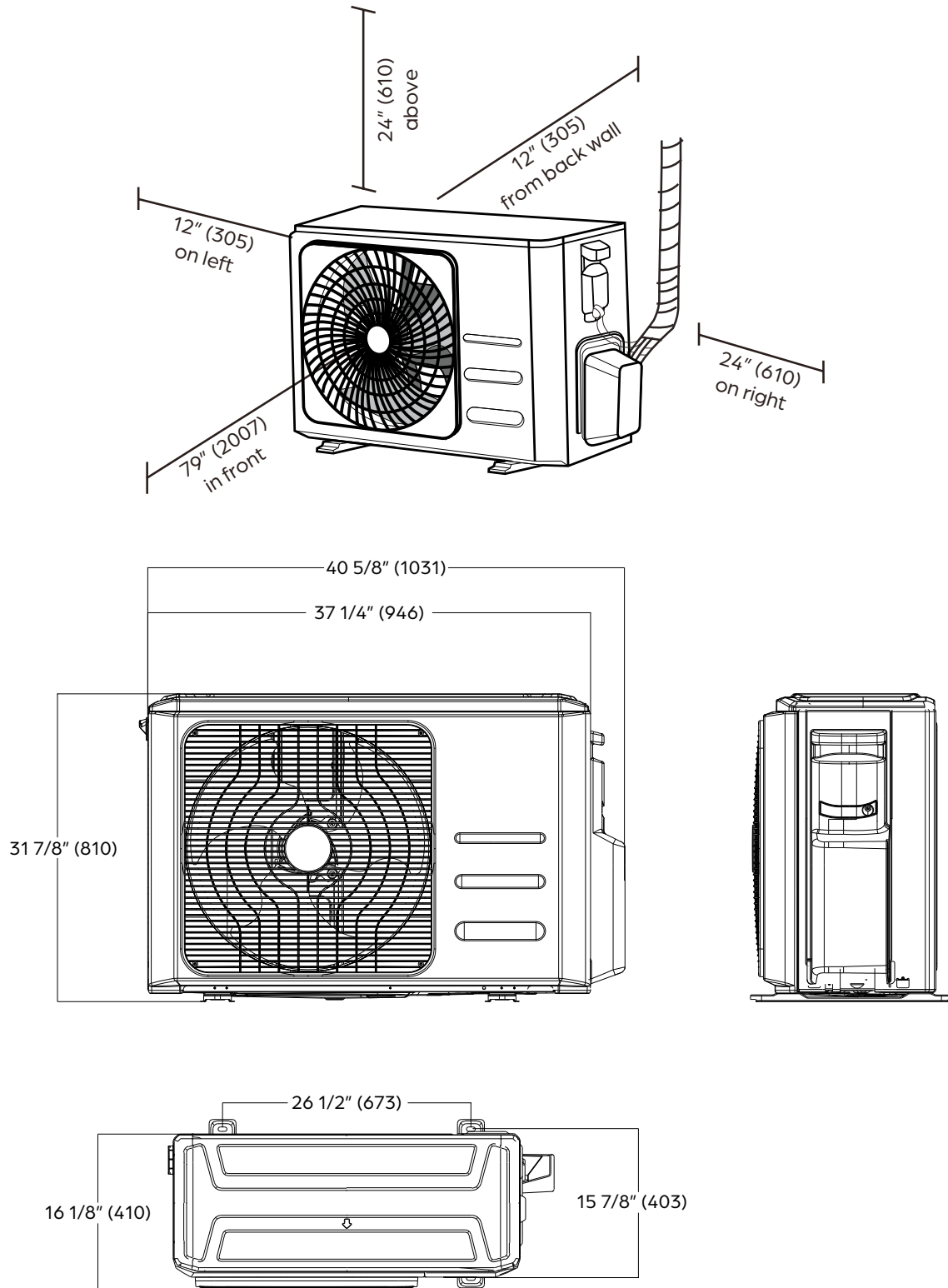
SOUND PRESSURE (dB(A))	
Airflow (CFM)	2147
Sound Pressure (dB(A))	62.3

OUTDOOR UNIT DIMENSIONS		
Unit Dimensions	Width	37 1/4"
	Depth	16 1/8"
	Height	31 7/8"
Carton Dimensions	Width	42 15/16"
	Depth	19 11/16"
	Height	34 13/16"
Net Weight	156.5 lbs.	
Gross Weight	167.6 lbs.	



36,000 BTU/H MULTI-ZONE HEAT PUMP SYSTEM

ODU DIMENSIONS - DRA4U36M1A



NOTE

Illustrations in this document are for explanatory purposes. The actual shape of your mini-split equipment may vary slightly.