



18,000 BTU/H SINGLE ZONE OUTDOOR UNIT

SUBMITTAL COVER SHEET

PROJECT NAME _____

LOCATION _____

ARCHITECT _____

ENGINEER _____

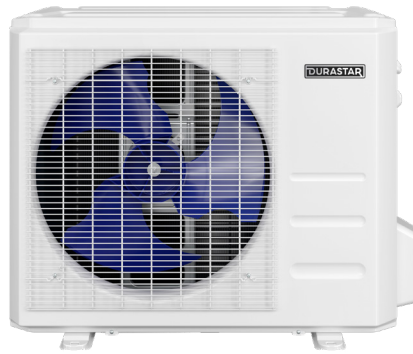
CONTRACTOR _____

REFERENCE _____

SUBMITTED BY _____ DATE _____

Single Zone Outdoor Unit (ODU):

DRA1U18S1A



CAPACITIES		
Cooling Capacity (BTU/hr)	Rated ¹	18000
	Minimum	4500
	Maximum	18500
Heating Capacity (BTU/hr)	Rated ²	18000
	Minimum	4600
	Maximum	18800

EFFICIENCY DATA	
SEER	21.0
EER	13.0
HSPF	10.5

OUTDOOR TEMPERATURE OPERATION	
Cooling	-13 °F - 122 °F (-25 °C - 50 °C)
Heating	-13 °F - 86 °F (-25 °C - 30 °C)

ELECTRICAL DATA	
Voltage/Phase/Frequency	208-230V, 1 Phase, 60 Hz
Voltage Range	187-253V
Recommended Breaker (Amps)	20
Minimum Circuit Ampacity (Amps)	15
Minimum Wire Size	16 AWG
Rated Current - Cooling (Amps) ¹	6.1
Rated Current - Heating (Amps) ²	6.82

PRODUCT FEATURES

- Variable Speed Inverter Compressor
- Auto Restart
- Base Pan Heater

¹ Measured at 95 °F.

² Measured at 47 °F.



Specifications are subject to change without notice.

© 2021 Ferguson Enterprises LLC

www.durastar.com



18,000 BTU/H SINGLE ZONE OUTDOOR UNIT

SPECIFICATIONS - DRA1U18S1A

SYSTEM DATA	
Refrigerant Type	R-410A
Refrigerant Charge (oz.)	68.8
Oil Type	VG74
Oil Charge (oz.)	15.2 (450 ml)
Design Pressure (PSIG)	550/340

LINE SET REQUIREMENTS	
Connection Type	Flare
Liquid	Ø1/4" (Ø6.35mm)
Gas	Ø1/2" (Ø12.7mm)
Pre-Charge Length	25'
Maximum Length	98'
Minimum Length (One Indoor Unit)	10'
Max. Height Differential Between Indoor and Outdoor Unit	66'
Additional Refrigerant (oz/ft)	0.16

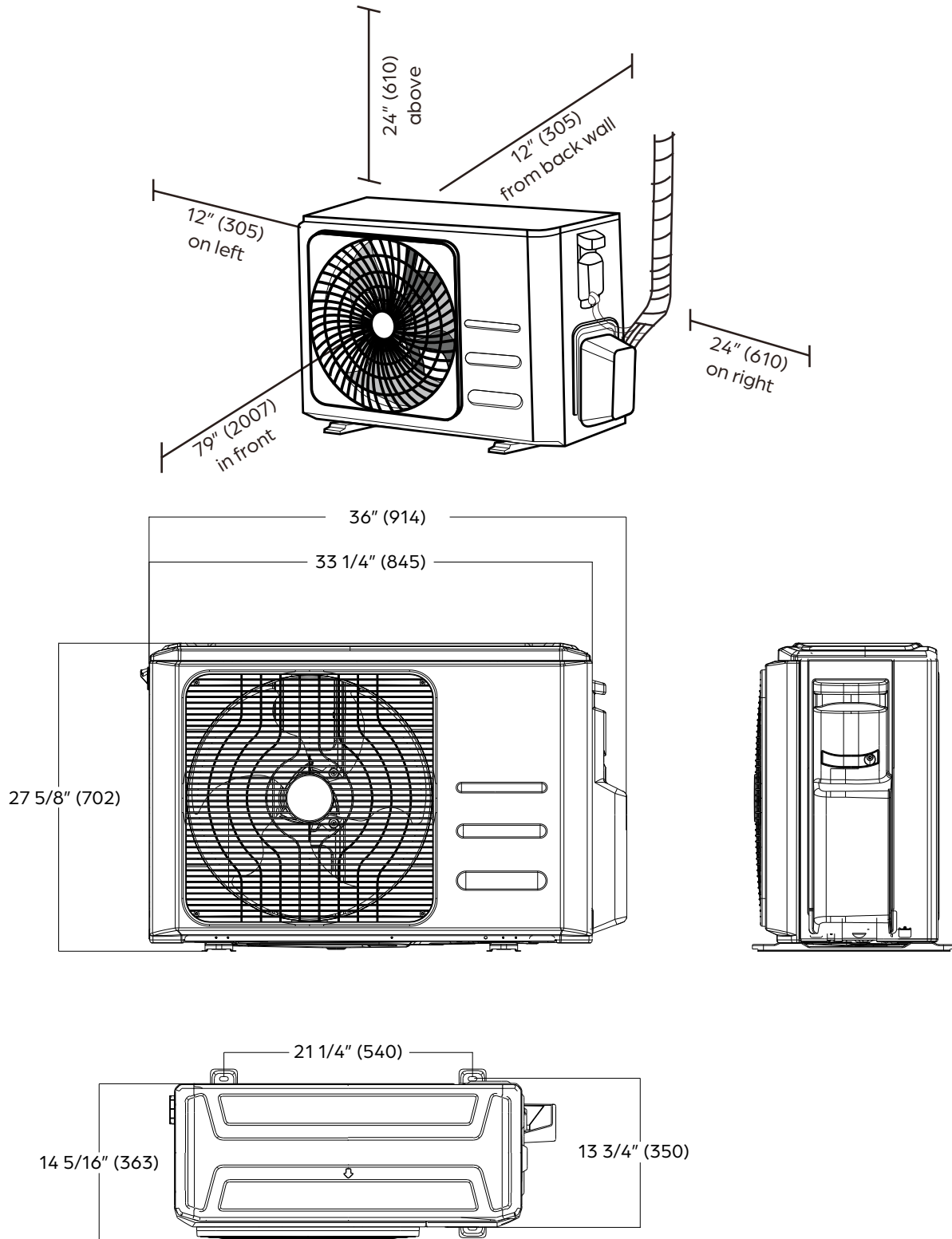
OUTDOOR UNIT FAN DATA	
Airflow (CFM)	1471
Sound Pressure (dB(A))	60
Type	DC
RLA (A)	0.6

OUTDOOR UNIT DIMENSIONS		
Unit Dimensions	Width	33 1/4"
	Depth	14 5/16"
	Height	27 5/8"
Carton Dimensions	Width	38"
	Depth	15 9/16"
	Height	30 1/2"
Net Weight	105.2 lbs.	
Gross Weight	112.4 lbs.	



18,000 BTU/H SINGLE ZONE OUTDOOR UNIT

ODU DIMENSIONS - DRA1U18S1A



NOTE

Illustrations in this document are for explanatory purposes. The actual shape of your mini-split equipment may vary slightly.

Specifications are subject to change without notice.

© 2021 Ferguson Enterprises LLC

www.durastar.com