



HGX Series

Combination LED Exit/Emergency Light with side-mounted lighting heads and optional remote capacity models for low-profile installation

Catalog Number	
Comments	Type

FEATURES

Application

The HGX Series provides bright, even LED Exit illumination in an attractive housing, designed for quick and easy installation. Available with or without fully adjustable MR16 Halogen lamps and remote capacity option. Remote capacity option; 12 watts (with integral lamp-heads), 23 watts (without lamps). Optional LED based MR-16 lamps available for increased coverage and additional remote capacity.

Construction

Precision-molded thermoplastic housing and lamp-heads are impact and scratch resistant, corrosion proof and UV stabilized material to resist discoloration. Available in white or black with a light texture. Innovative snap-together design optimizes installation time. Includes additional face-plate for single or double-face application. Snap-in directional chevrons. Includes canopy and universal mounting plate for end, ceiling or wall mounting. Red or green polystyrene .030" diffuser is frequency matched to the LEDs providing optimum exit sign illumination.

Installation

Sign mounts to 3 1/2", 4" octagon, or square outlet boxes and standard plaster rings. Back-plate provides a knock-out pattern for mounting to outlet box. Mounting canopy provided with all models. Canopy mounts to outlet boxes by means of a mounting plate supplied. Exit housing snaps to canopy. Pre-stripped pigtail leads provided. Push-in wire connectors supplied for making AC connections. All wiring dresses into formed wire-ways in housing.

Illumination

Four long-life LEDs provide exit illumination. Exceeds the 2009 UL 924 requirements for brightness and uniformity. Unit illumination by halogen or optional high-performance LED based MR16 lamps.

Compliances

UL 924 Listed
NFPA 70
NFPA 101



**Also available in black finish*

Matching indoor remote heads for use with HGX models (sold separately)



CPRSW0605 (5W HAL)
CPRSW0603L (3W LED)



CPRSB0605 (5W HAL)
CPRSB0603L (3W LED)

ORDERING GUIDE

HGX

U

Model	Faces	Letter Color	Housing Finish	Options
HGX	U Universal Single/Double Face	R Red G Green	W White B Black	Blank 5W Halogen lamps -03L 3W LED Lamps -RC12 12W Remote Capacity (includes lighting heads) ^{1,2} -0-RC12 23W Remote Capacity (no lighting heads). Available in white only. ^{1,2}

ACCESSORIES (order separately)

WGTW Wireguard (wall or ceiling mount)

¹ -RC12 and -0-RC12 options can be specified with the - 03L option. Example: HGXURW-0-RC12-03L

² No lamp-head option only available with remote capacity model



Hubbell Lighting, Inc.

HCX Series

Combination LED Exit/Emergency Light

Output Voltage	Battery	Lamp	Unit Capacity	Runtime	Extended Runtime	Remote Watts	Number of Remotes: 5W HAL	Number of Remotes: 3W LED
----------------	---------	------	---------------	---------	------------------	--------------	---------------------------	---------------------------

Standard Models

HXCURW	6VDC	Lead-Calcium	5W HAL	10 watts	90 min.	No	--	--
HXCURWRC12	6VDC	Lead-Calcium	5W HAL	23 watts	90 min.	Yes	12	4
HXCURW-0-R C12	6VDC	Lead-Calcium	5W HAL	23 watts	90 min.	Yes	23	7

LED Models

HXCURW-03L	6VDC	Lead-Calcium	3W LED	10 watts	90 min.	Yes	--	--
HXCURW-RC12-03L	6VDC	Lead-Calcium	3W LED	23 watts	90 min.	Yes	17	5
HXCURW-0-R C12-03L	6VDC	Lead-Calcium	3W LED	23 watts	90 min.	Yes	23	7

SPECIFICATIONS

Standard Features:

- External push-to-test switch and AC-ON indicator
- Exit Sign Letters: 6" height, 3/4" stroke
- Snap-in directional chevrons in Exit Sign
- Low voltage disconnect
- Transformer isolation
- AC lockout
- Temperature compensated charger circuitry
- MR16 Halogen lamp with rated 200 hour life
- Battery recharge time within UL specifications

Optional Features:

- LED MR16 lamps rated at 50,000 hour life expectancy.
- Available without integral lamp heads for added run time or remote capacity operation.

Operating Temperature Range:

Standard models: 20°C to 30°C (68°F to 86°F)

AC Input Voltage

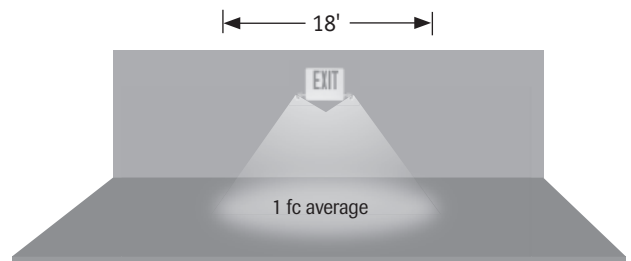
120VAC or 277VAC: 60 Hz. operation standard.

Power Consumption:

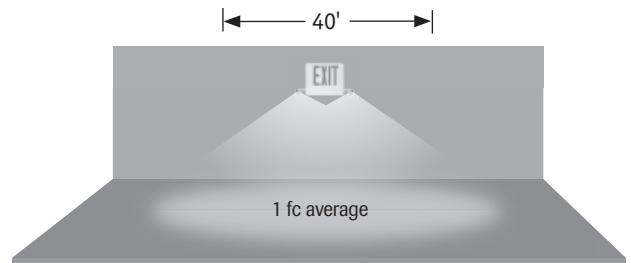
4.5 watts at 120 or 277 VAC (all models)

APPLICATION DATA

Coverage for 5W HAL MR16 lamp



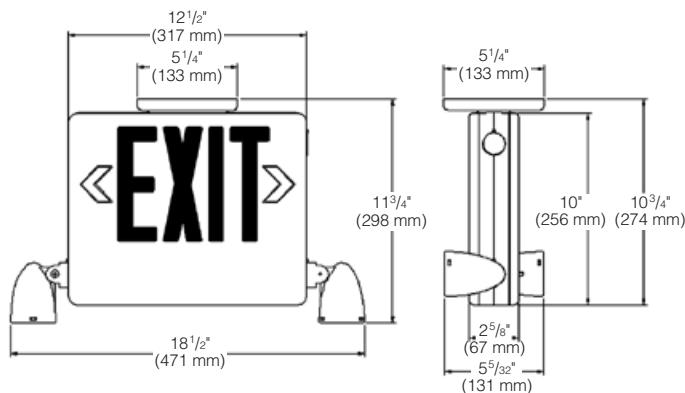
Coverage for optional 3W LED MR16 lamp



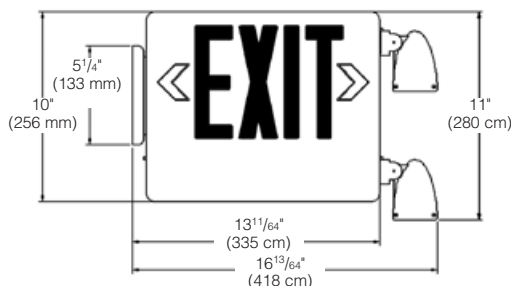
Meets Life Safety Code minimum illuminance of 0.1 fc and average illuminance of 1.0 fc. Assumes open space with no obstructions, mounting height of 7.5', ceiling height of 9' and reflectances of 80/50/20. Photometry files available on the Dual-Lite web site (www.dual-lite.com).

DIMENSIONS

(Ceiling or Back Mount)



(End Mount)



Dual-Lite • www.dual-lite.com

A Hubbell Lighting, Inc. brand with representatives' offices in principal cities throughout North America.

Copyright © Hubbell Lighting, Inc. All Rights Reserved • Specifications subject to change without notice. • Printed in U.S.A.

0603281_C 8/10