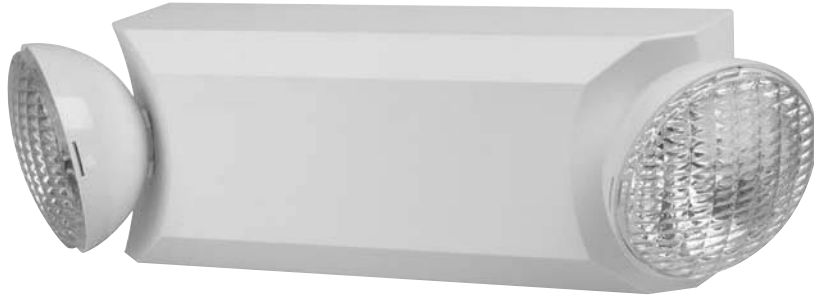




CV Series

Emergency Lighting Units



Catalog Number	
Comments	Type

Standard Features

- Fast, easy installation
- Snap-together design
- Compact, low-profile style
- High impact, UV stabilized thermoplastic
- Fully adjustable lighting heads
- White or black finishes offered
- Standard and damp location models
- Remote capacity models
- High output incandescent lamps
- Maintenance-free battery
- Dual voltage – 120/277VAC
- Fully automatic charger
- Automatic low-voltage battery disconnect and transformer isolation protection
- Universal mounting plate
- Test switch and LED AC-On light
- Temperature range: 20°C to 30°C (68°F to 86°F)
Damp location models: 10°C to 40°C (50°F to 104°F)
- Optional Spectron® self-diagnostic/self-testing electronics
- UL 924 Listed
- UL Damp Location Listed (Damp Location models only)
- NFPA 101/NEC

Featuring a contemporary appearance, the CV Series adds style to a reliable and technologically advanced unit. Available with remote capability, the CV Series is ideally suited for commercial or institutional facilities where performance, appearance and ease of installation are concerns.

Model Numbers

Standard Models	Damp Location Models	NiCad Battery Models
CV2 (6V, 12W)	CV2D (6V, 11W)	CV2N (6V, 15W)
CV3 (6V, 18W)	CV3D (6V, 17W)	CV5N (6V, 30W)
CV5 (6V, 30W)	CV5D (6V, 27W)	

Options (Add suffix to catalog number)

- I** Spectron self-testing/self-diagnostic electronics⁽¹⁾
- B** Black housing
- V** Voltmeter
- 24K** 220-240VAC, 60Hz operation⁽¹⁾
- A21** Auxiliary 2-conductor AC line cord (120V only)⁽²⁾
- A31** Auxiliary 3-conductor AC line cord (120V only)⁽³⁾

⁽¹⁾ Not available with NiCad (CV2N, CV5N) models.

⁽²⁾ For use with CV2, CV2D and CV2N models.

⁽³⁾ For use with CV3, CV3D, CV5, CV5D and CV5N models.

Accessories (Order Separately)

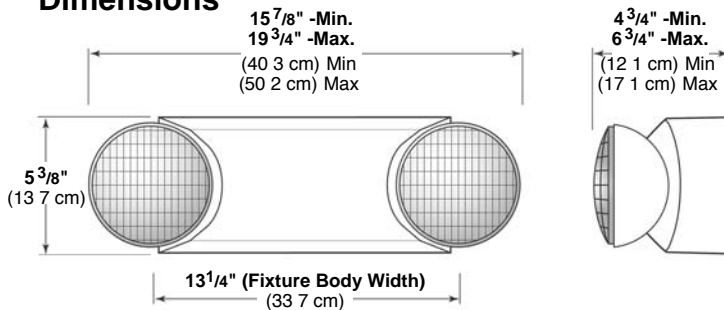
- SRHSW** Matching remote head - single (white)^{(a)(b)}
- SRHDW** Matching remote head - twin (white)^{(a)(b)}
- OMSBB** Single outdoor lighting head (black)^{(a)(b)}
- OMSDB** Twin outdoor lighting head (black)^{(a)(b)}
- PMLZTW** Pendant mounting kit (white)^(c)
- PMLZTB** Pendant mounting kit (black)^(c)
- WGEL** Wire guard

^(a) Supplied with mounting plate. Specify voltage and wattage when ordering. Example: **SRHDW0607**.

^(b) Replace "W" with "B" for black finish. Example: **OMSDB0607**.

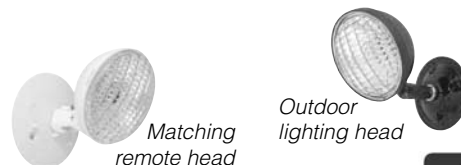
^(c) Not available for use with CV5, CV5D and CV5N models.

Dimensions



Optional Lamps

To order two nonstandard lamps on the fixture, suffix the catalog number. See the "Remote Heads and Fixtures" catalog section for available lamps. Example: CV5-SRHSW0612



Construction

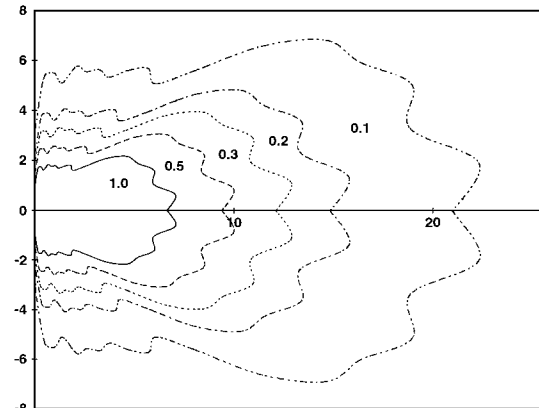
Unit and Lamp Housings: All housings and back plate constructed of flame-rated, UV stable, ABS thermoplastic
Finish: Textured bright white or black

Illumination

Lamp Type: Incandescent
Lamp Voltage: 6 volts
Lamp Wattage: 5.4 watts
Rated lamp life: 100 hours

Photometrics

High Output 6 Volt, 5.4 Watt Incandescent Lamp
Horizontal Distribution



Installation

Unit Wall Mounting: Unit mounts to 3 1/2", 4" octagon, or 4" square outlet boxes and standard plaster rings. Back plate provides a universal knockout pattern for mounting to outlet box. Keyholes provided for securing unit housing to wall surface.
Wiring: Pre-stripped AC input leads provided. All AC connections made inside unit housing.

Operating Temperature Range

Standard models: 20°C to 30°C (68°F to 86°F)
Damp location models: 10°C to 40°C (50°F to 104°F)

Product Selector Guide

Base Catalog Number	Electrical										
	Output Volts	Output Watts				Input Amps		Input Watts		Standard Lamp	Remote Capability
		1.5 Hrs.	2 Hrs.	3Hrs.	4Hrs.	120V	277V	120V	277V		
CV2	6	12	--	--	--	.040	.020	4.0	4.0	5.4W	No
CV3	6	18	13	--	--	.040	.020	4.0	4.0	5.4W	Yes
CV5	6	30	22	15	12	.130	.060	14.0	14.0	5.4W	Yes
CV2D	6	11	--	--	--	.040	.020	4.0	4.0	5.4W	No
CV3D	6	17	12	--	--	.040	.020	4.0	4.0	5.4W	Yes
CV5D	6	27	20	13	--	.130	.060	14.0	14.0	5.4W	Yes
CV2N	6	15	11	--	--	.070	.030	9.0	9.0	5.4W	No
CV5N	6	30	22	15	12	.120	.050	14.0	14.0	5.4W	Yes

Dual-Lite • www.dual-lite.com

Electronics

Input: 120/277VAC, 60 Hz. (standard)
Built-in Protection: Transformer isolation and low battery voltage disconnect
Charger: Solid-state, constant voltage, current limited type
Transfer: Solid-state design (Relay transfer on Remote Capacity models)
Battery Recharge Cycle: Per UL time standards
Test Means: Integral test switch
Indicators: LED AC-On indicator

Battery

Type: Maintenance-free lead-acid

Compliances

UL 924 (all models)
 NFPA-101 (all models)

Warranty

	Unit and Electronics	Battery	
		Full	Pro-Rata
Standard Models	3 years	2 years	8 years
Nicad Models	3 years	3 years	7 years
Spectron Models	5 years	3 years	7 years

Suggested Specifications

Unit housing construction will be flame-rated, UV stable, ABS thermoplastic in textured (white) (black) finish. Unit design will allow universal 120/277VAC, 60 Hz operation standard. Emergency illumination will be provided by two integral [and (one)(two)(three) remote] 5.4-watt high-output lighting heads. A universal knockout pattern shall be provided in the unit back plate for mounting to 4" square or 3 1/2" and 4" octagon outlet boxes as well as standard plaster rings. Emergency components will include a solid-state, constant voltage, current limited type battery charger; a maintenance-free, (lead-acid)(NiCad) battery; an AC-On LED indicator light; and a test switch. The unit charger will be capable of recharging the battery within acceptable UL time standards. Emergency operation must be provided for a minimum of 90 minutes. During emergency operation, the battery shall be protected from deep discharge by a low-voltage battery disconnect circuit. Upon return of normal utility power the unit shall begin a recharge cycle. The charger will bring the battery to full capacity within acceptable UL time standards. A manual test switch will allow a user-activated test at any time. Units must comply with all UL 924 and NFPA 101 Life Safety Code requirements. Optional equipment will include:
 Dimensions to be 5 3/8" (137 mm) high x 19 3/4" (502 mm) wide (max.) x 6 3/4" (171 mm) deep (max.).