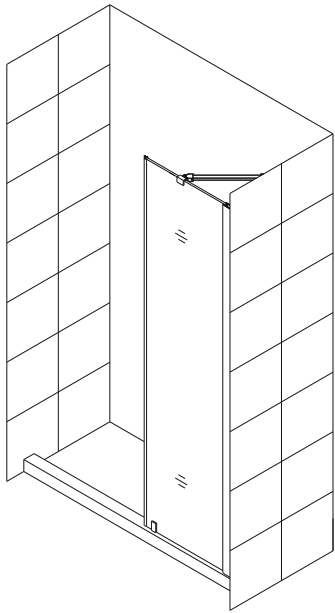


## UNIDOOR (STYLE B & C)

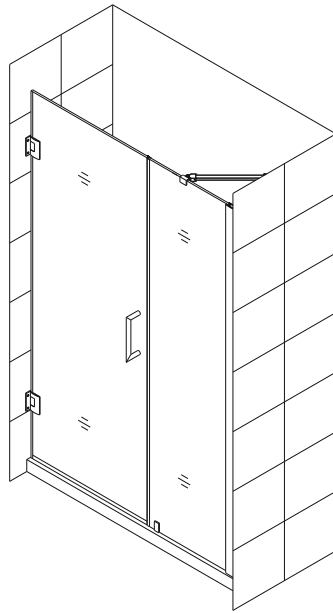
### SHOWER DOOR GLASS PANEL INSTALLATION INSTRUCTIONS

#### IMPORTANT

DreamLine™ reserves the right to alter, modify or redesign products at any time without prior notice. For the latest up-to-date technical drawings, manuals or any other details please refer to your model's web page on [BathAuthority.com](http://BathAuthority.com)



Style B



Style C

**Please read these instructions carefully before installing. If you have any questions regarding installation, please contact our technical support specialists Monday through Friday 8:00 AM – 7:00 PM EST at Phone: [1-866-731-2244](tel:1-866-731-2244), Fax: [1-866-857-3638](tel:1-866-857-3638) or e-mail our technical support group at [Support@BathAuthority.com](mailto:Support@BathAuthority.com).**

**For more information about DreamLine™ products please visit [www.BathAuthority.com](http://www.BathAuthority.com)**

**Model#s:**

SHDR-20297210  
SHDR-20307210  
SHDR-20317210  
SHDR-20327210  
SHDR-20337210  
SHDR-20347210  
SHDR-20357210  
SHDR-20367210

**Model#s:**

SHDR-20417210C  
SHDR-20427210C  
SHDR-20437210  
SHDR-20447210  
SHDR-20457210  
SHDR-20467210  
SHDR-20477210  
SHDR-20487210  
SHDR-20477210C  
SHDR-20487210C  
SHDR-20497210  
SHDR-20507210  
SHDR-20517210  
SHDR-20527210  
SHDR-20537210  
SHDR-20547210  
SHDR-20537210C  
SHDR-20547210C  
SHDR-20557210  
SHDR-20567210  
SHDR-20577210  
SHDR-20587210  
SHDR-20597210  
SHDR-20607210

**Model#s:**

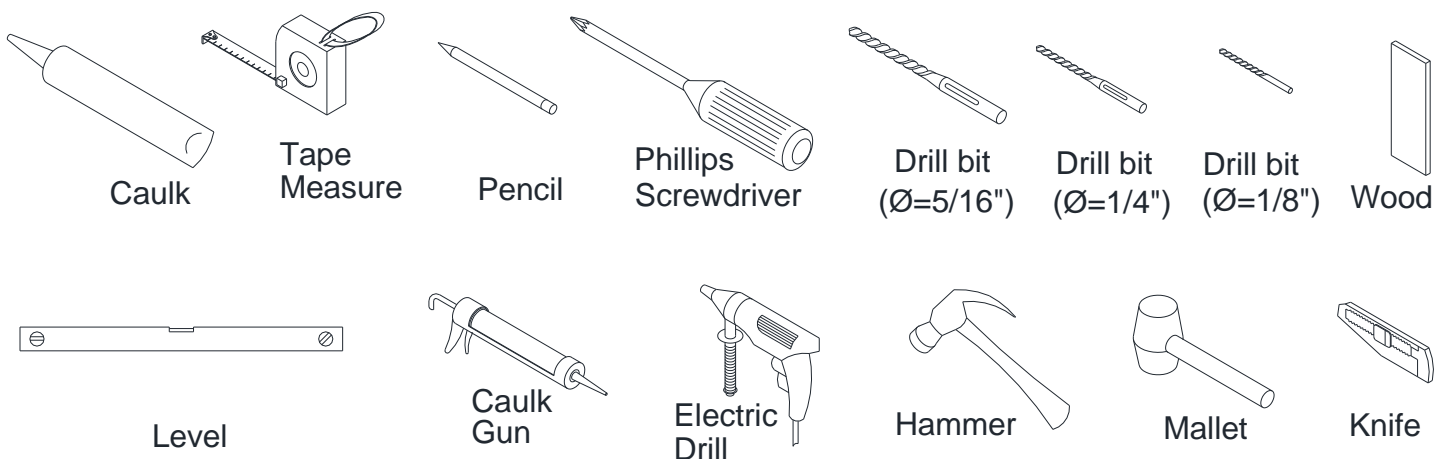
SHDR-20357210CS  
SHDR-20367210CS  
SHDR-20377210S  
SHDR-20387210S  
SHDR-20397210S  
SHDR-20407210S  
SHDR-20417210S  
SHDR-20427210S  
SHDR-20417210CS  
SHDR-20427210CS  
SHDR-20437210S  
SHDR-20447210S  
SHDR-20457210S  
SHDR-20467210S  
SHDR-20477210S  
SHDR-20487210S  
SHDR-20477210CS  
SHDR-20487210CS  
SHDR-20497210S  
SHDR-20507210S  
SHDR-20517210S  
SHDR-20527210S  
SHDR-20537210S  
SHDR-20547210S  
SHDR-20537210CS  
SHDR-20547210CS  
SHDR-20557210S  
SHDR-20567210S  
SHDR-20577210S  
SHDR-20587210S  
SHDR-20597210S  
SHDR-20607210S

Finishes: -01 Chrome -04 Brushed Nickel -06 Oil Rubbed Bronze

## Preparation

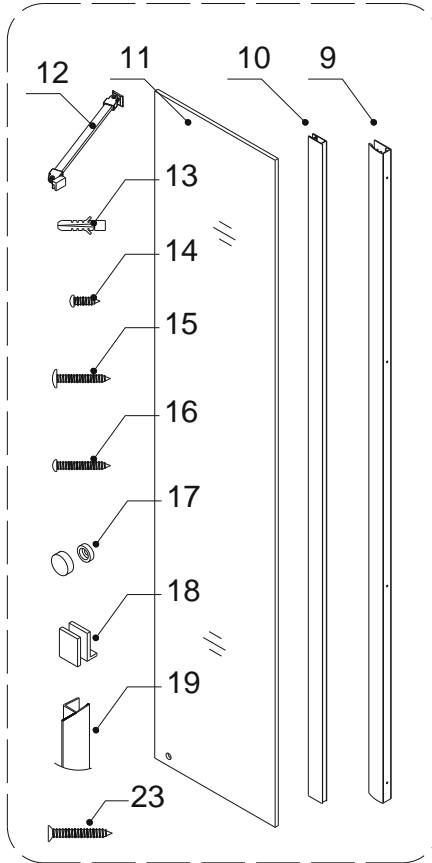
1. Prior to installation, examine all boxes and packages for shipping damage and compare the piece count with your packing slip. After opening all boxes and packages read this introduction carefully. Check that all of the needed parts are included in the package by checking off the components on the "Detailed Diagram of Shower Door Components". If the unit has been damaged, has a finishing defect, or has missing parts, please contact our customer support department within **3 business days** of the delivery date. Please note that **DreamLine™ will not replace any damaged products or missing parts free of charge after 3 business days or if the product has been installed.** Feel free to contact DreamLine™ if you have any questions, and please provide an order number, job name or other proof of purchase to help us identify your original order.
2. **Please note that you should consult your local building codes with questions on installation compliance standards. Building and plumbing codes may vary by location, and DreamLine is not responsible for code compliance standards for your project and will not accept any returns.**
3. If this unit is going to be installed in new construction, please, install all of the required plumbing and drainage before installing the shower. **Use a competent and licensed (if required by local code) plumber for all plumbing installation**
4. Prior to the installation, please ensure that the installation surface is level and solid and will be able to support the total weight of the unit. Also make sure that the walls are plumb. Depending on the type of unit you are installing, some adjustments in leveling may be possible. However, irregular installation, surface level or out of square conditions can result in serious problems for your installation. Please note that some adjustments and drilling may be necessary. Please protect all primary surfaces of the product during installation. **Never set your glass down directly onto a tile floor.** Always use a piece of wood or cardboard to protect the bottom edge and corners of the glass.
5. **Note: The installation of this unit requires that you drill down into the threshold.**

## Tools Required

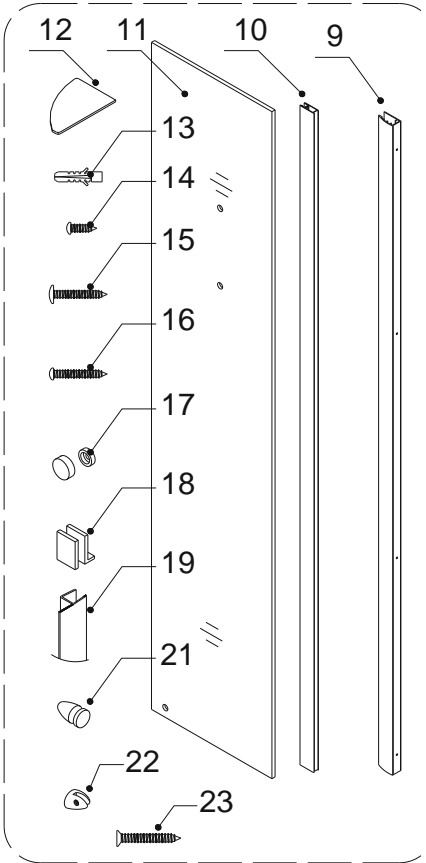


# Detailed Diagrams of Shower Door Components

## Diagram A



## Diagram B



### Diagram A

09	Wall profile	1pc	15	Big flat head screw ST4.2×40	4pcs
10	Glass profile	1pc	16	Round head screw ST4.2×35	1pc
11	Stationary glass	1pc	17	Decorative screw cover	4pcs
12	Support bar *	1pc	18	Bottom bracket	1pc
13	Wall Anchor *	4pcs+1pc	19	Anti-Water strip (inline panel)	1pc
14	Round head screw ST4.2×10	3pcs	23	Countersunk screw ST4.2×40 *	1pc

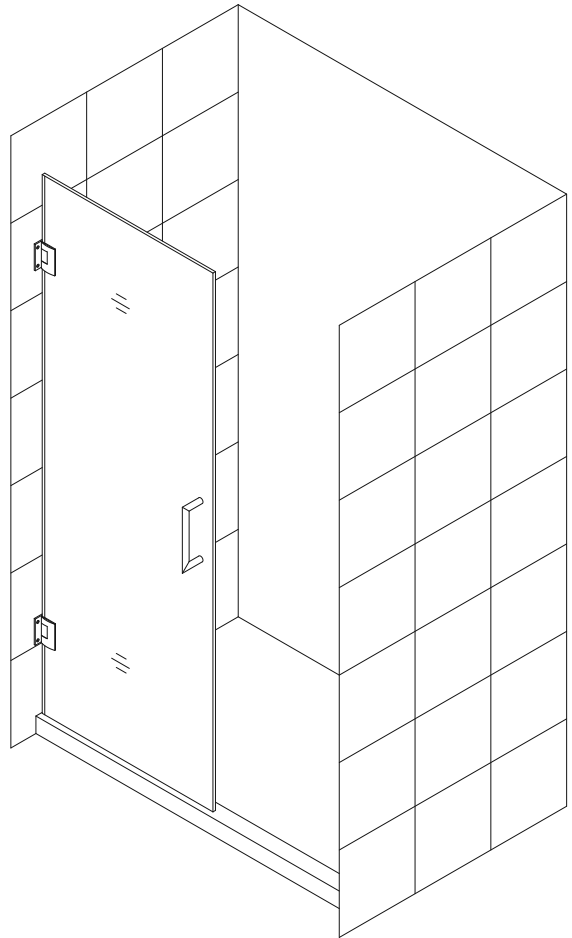
### Diagram B

09	Wall profile	1pc	16	Round head screw ST4.2×35	1pc
10	Glass profile	1pc	17	Decorative screw cover	4pcs
11	Stationary glass	1pc	18	Bottom bracket	1pc
12	Glass shelf	2pcs	19	Anti-Water strip (inline panel)	1pc
13	Wall anchor	8pcs	21	Shelf bracket (with nut)	2pcs
14	Round head screw ST4.2×10	3pcs	22	Shelf bracket (without nut)	4pcs
15	Big flat head screw ST4.2×40	4pcs	23	Countersunk screw ST4.2×40	4pcs

**NOTE:** Unpack your unit carefully and inspect it. Lay it out and identify all parts using the detailed diagram and packing list in your manual as a reference. Before discarding the carton, check for small hardware bags that may have fallen to the bottom of the box. If any parts are damaged or missing, please contact DreamLine™ for replacement. The shipping boxes may contain extra parts not used in your model configuration.

**\* ATTENTION:** All parts that are marked with the star (\*) not provided with 6" Stationary panel. **NOTE:** Retain these installation instructions for future reference.

**NOTE:** The Unidoor shower door needs to be installed prior to proceeding with the following Stationary Glass installation instructions. Please see the Single Shower Door installation manual included in the door packaging for complete shower door installation instructions. Before you begin the installation, please recheck your shower opening size. Specific size information can be found on our website at [www.BathAuthority.com](http://www.BathAuthority.com).



**NOTE:** The Unidoor hinge is designed to over close 8°. The following procedure is recommended to ensure proper alignment of the panel glass and door.

1. Align the **Door** so that it is perpendicular to the wall and parallel to the threshold. Measure across the bottom span of the **Door** and threshold on the outside of shower and determine an equal value.

Mark a line on the threshold base on the handle side

See Fig. 1 for details.

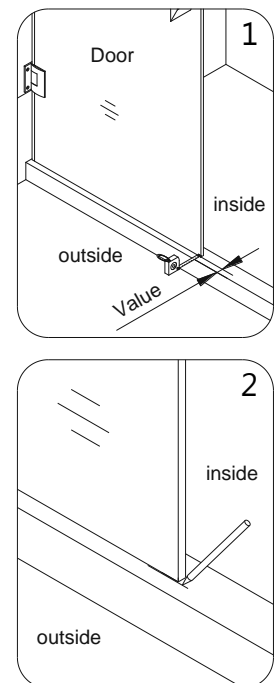
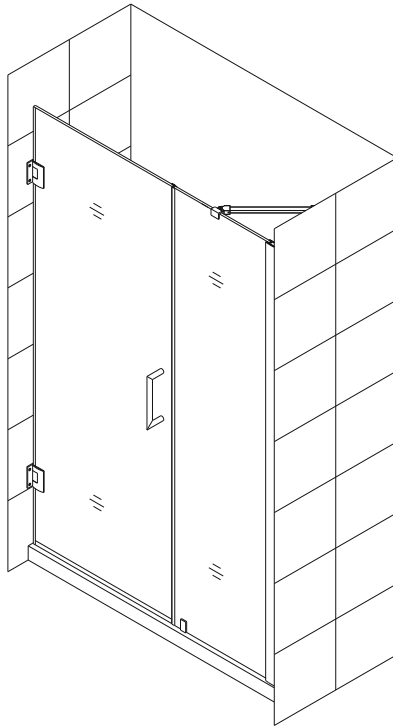


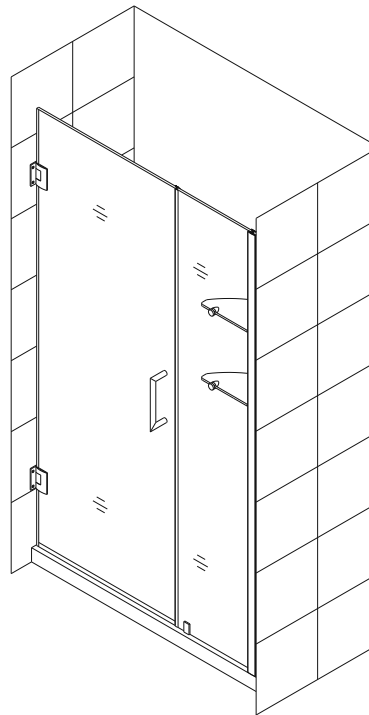
Fig. 1

## Style "B" and "C": Stationary Glass Assembly and Installation

**NOTE:** Use parts from Diagram "A" or "B" (depending on your model style) for the Stationary Glass assembly and installation.



Style B



Style C

2. Apply clear silicone along the inner channel of the **Glass profile (10)** and insert the **Stationary glass (11)** into the channel.

**ATTENTION:** Please note that the **bottom hole in the corner of the Stationary glass** should be away from the **Glass profile** not next to it.

**NOTE:** If you have difficulty sliding the **Glass profile** over the **Stationary glass**, you can slightly tap on the **Glass profile** with a **rubber mallet** and a **piece of wood**.

**NEVER** use a **metal hammer** or hit the **profile** without the **wood bumper**.

Insert the **Stationary glass** with attached **Glass profile** into the **Wall profile (09)**.

See Fig. 2 for details.

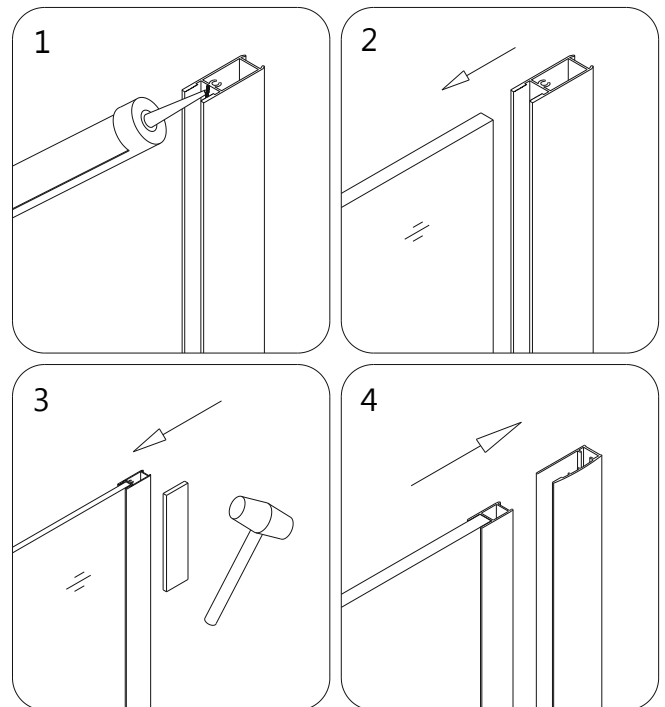


Fig. 2

3. Press the **Anti-Water strip (inline panel) (19)** onto the vertical edge of the **Stationary glass (11)**.

Attach the **Bottom Bracket (18)** through the bottom hole of the **Stationary glass**.

See Fig. 3 for details.

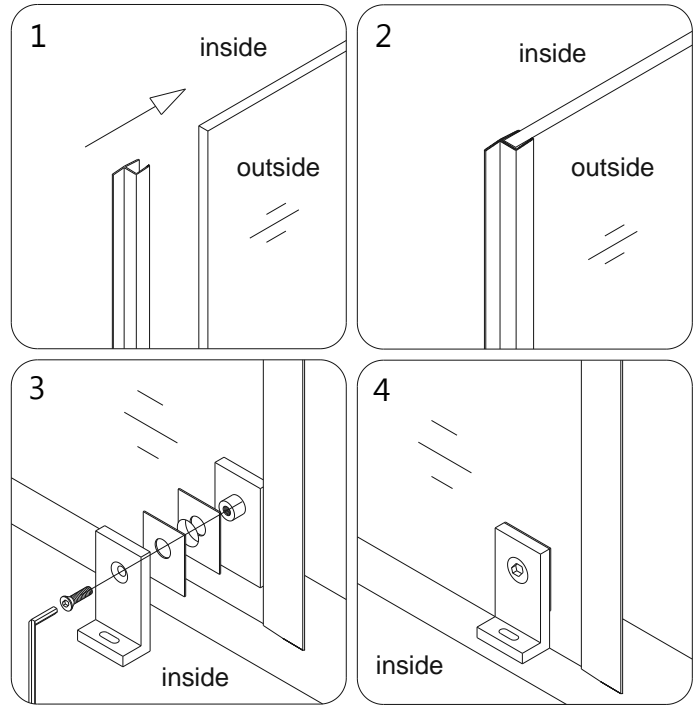


Fig. 3

4. Carefully butt the **Stationary glass (11)** up against the wall vertically.

See Fig. 4 for details.

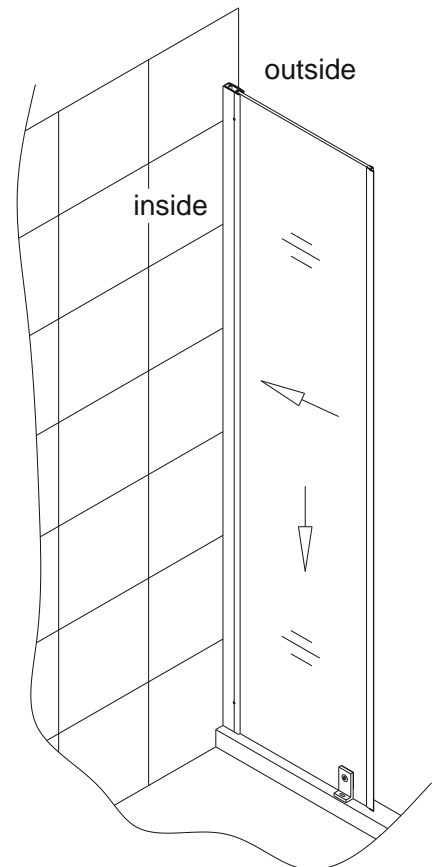


Fig. 4

5. While securely holding the **Stationary glass (11)** close the **Glass Door** and align the **Stationary glass** to it. Use the door mark that was made in step #1 on the threshold as a reference to ensure that the **Door** is perpendicular to the wall.

If needed, adjust the position of the **Stationary glass** so that the **Anti-Water strip (inline panel) (19)** makes tight contact to the **Glass Door** from top to bottom.

**NOTE:** The top of the **Stationary glass** must be leveled with the **Glass door**.

Draw a line along the inner edge of the **Wall profile (09)** on the wall.

Mark the drilling hole of the **Bottom bracket (18)** on the shower base or threshold through the oval notched hole.

See Fig. 5 for details.

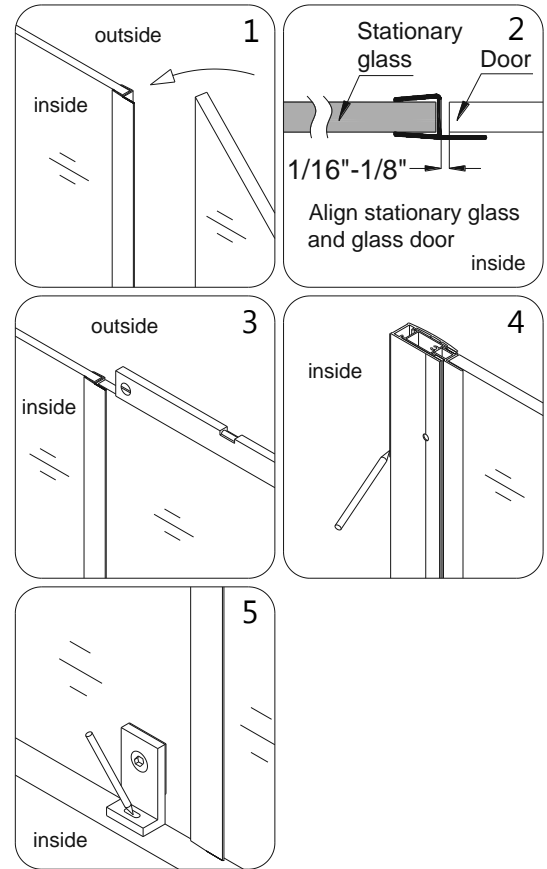


Fig. 5

6. Detach the **Wall profile (09)** from the **Stationary glass (11)** and **Glass profile (10)** assembly.

Replace the **Wall profile** to the outlined position that was made in step #5 and mark the drill holes on the wall through the predrilled holes in the **Wall profile**.

Now drill holes in the wall using **Ø 5/16"** drill bit and insert the **Wall anchors (13)**.

Apply silicone along the **Wall profile** and around the holes. Fasten the **Wall profile** to the wall with the **Big flat head Screw ST4.2×40 (15)**.

See Fig. 6 for details.

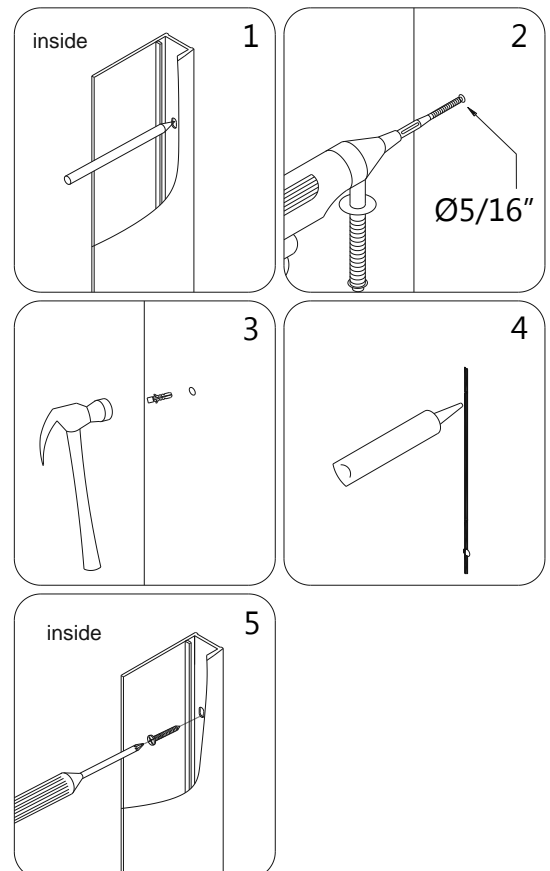


Fig. 6



7. Drill the hole into the shower base or threshold for the **Bottom bracket (18)** using  $\text{Ø } 1/8''$  drill bit at the drill mark that was made in step #5.

Use the **Round head screw ST4.2x35 (16)** along with a raised white washer to attach the **Bottom Bracket** to the shower base or threshold. Move the **Stationary Glass (11)** back into position and insert the **Glass profile assembly** into the **Wall profile (09)**.

Secure the **Bottom Bracket (18)** to the **Stationary Glass**.

Cover the **Bottom Bracket** screw head with **Decorative screw cover (17)**.

See Fig. 7 and Fig. 8 for details.

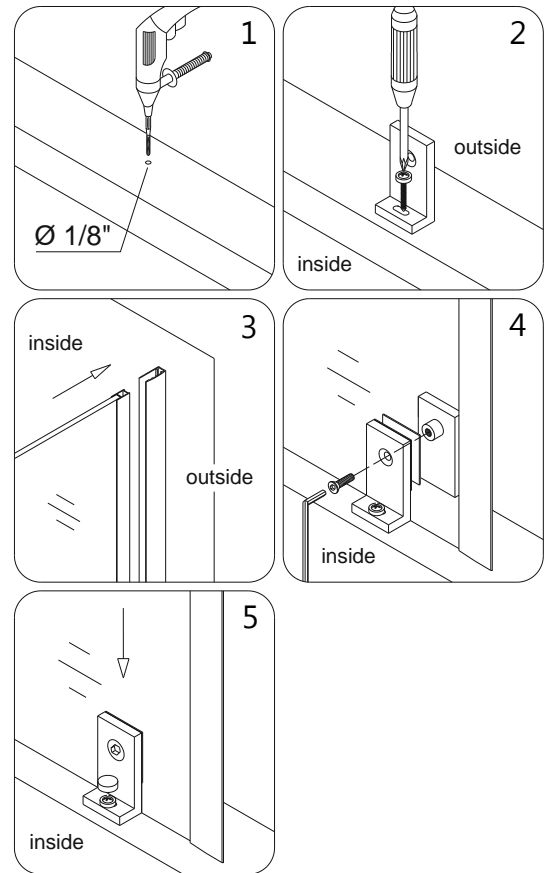


Fig. 7

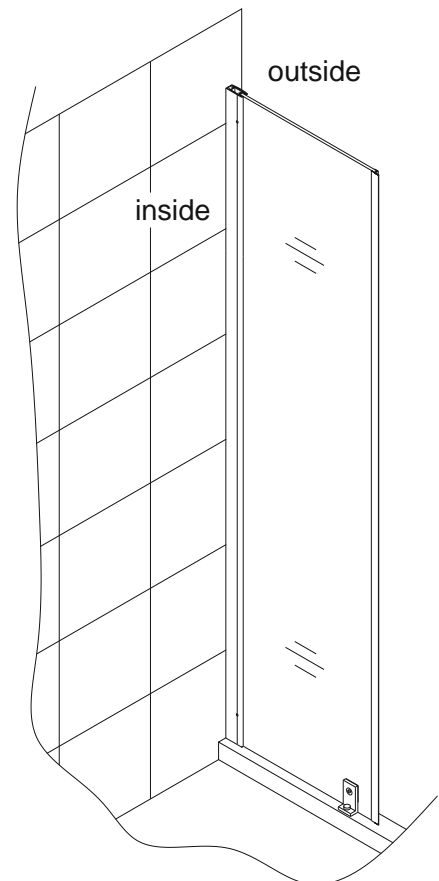


Fig. 8

8. Recheck the alignment and spacing of the **Glass Door** and **Stationary glass (11)** to make sure the **Door** still opens and closes correctly. After final adjustments of the **Stationary glass** drill the holes in the **Glass profile (10)** through the predrilled holes in the **Wall profile (09)** using an  $\text{Ø } 1/8''$  drill bit.

**NOTE:** You only need to drill through the first layer of the Glass Profile.

Use **Round head screws ST4.2×10 (14)** to attach the **Wall profile** to the **Glass profile**. Cover the exposed screw heads with **Decorative screw cover (17)**.

See Fig. 9 and Fig. 10 for details.

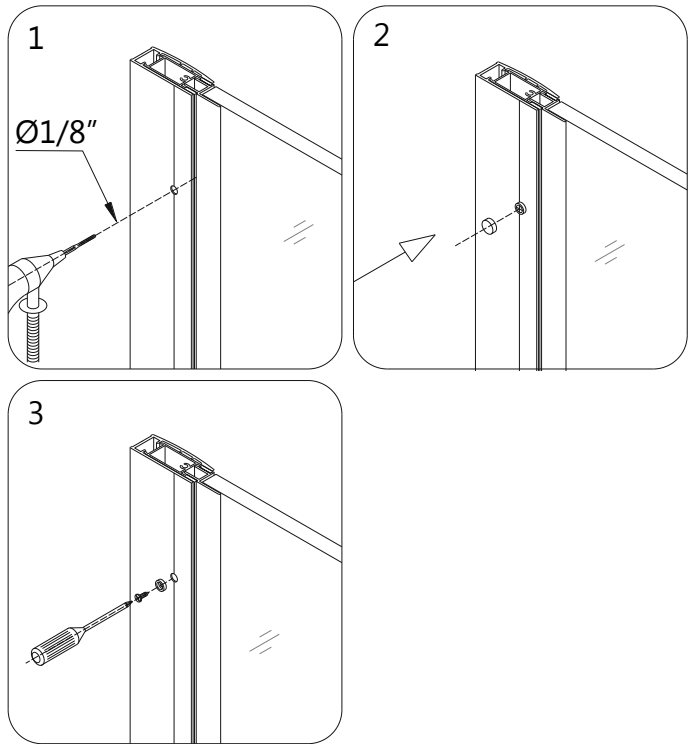


Fig. 9

9. Apply the sealant along the connection of the **Stationary glass** to the wall and the Shower base or threshold.

**If the Stationary Panel width is 6", the installation is finished.**

**If the Stationary Glass width is 12" and over you will need to continue your installation from:**

- a) **Style B** for Support Bar \* installation.
- b) **Style C** for Glass Shelves\* installation.

See Fig. 10 for details.

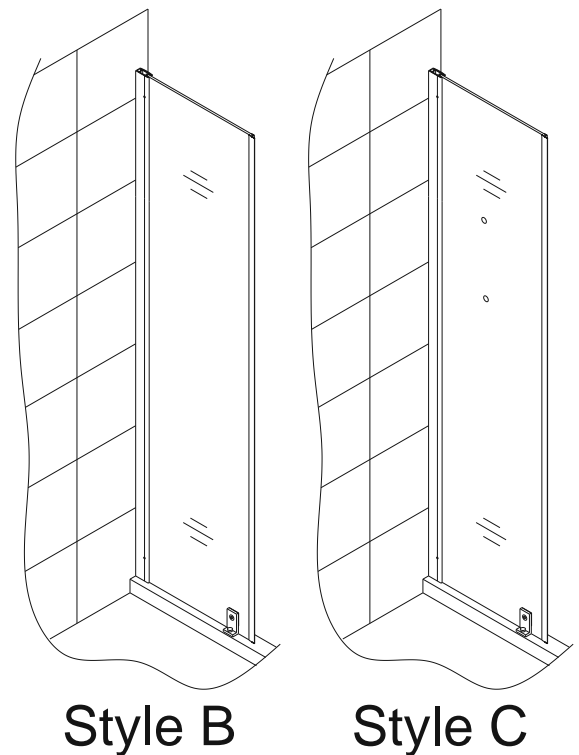
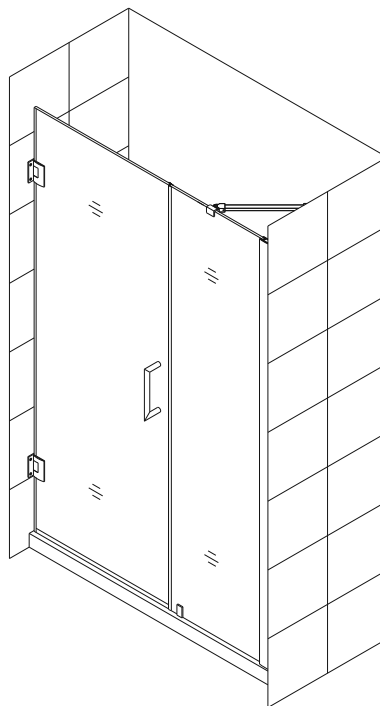


Fig. 10

## Style "B":      Support bar\* Assembly and Installation

**NOTE:** Use parts from Diagram "A" for the Support Bar\* assembly and installation.



### 10. Locate the **Support bar\* (12)**.

Adjust the bar to a proper position on the glass and the wall. Level it horizontally. Hold it firmly and outline the bracket's position on the wall. Remove the **Support bar\*** and detach the wall bracket from it. Place the wall bracket against its outlined position on the wall and mark the drilling hole.

Drill the hole using  $\text{Ø } 5/16''$  drill bit, insert the **Wall anchor\* (13)** and fasten the wall bracket to the wall with the **Big flat head screws\* ST4.2×40 (15)**. Attach the **Support bar\*** to the wall as shown on Fig 11.6 and tighten the set screws and the glass holding screw to secure the glass.

**NOTE:** Make sure that the rubber gasket is in place on the glass on the side opposite of the set screw before securing the **Support bar\***.

See Fig. 11 for details.

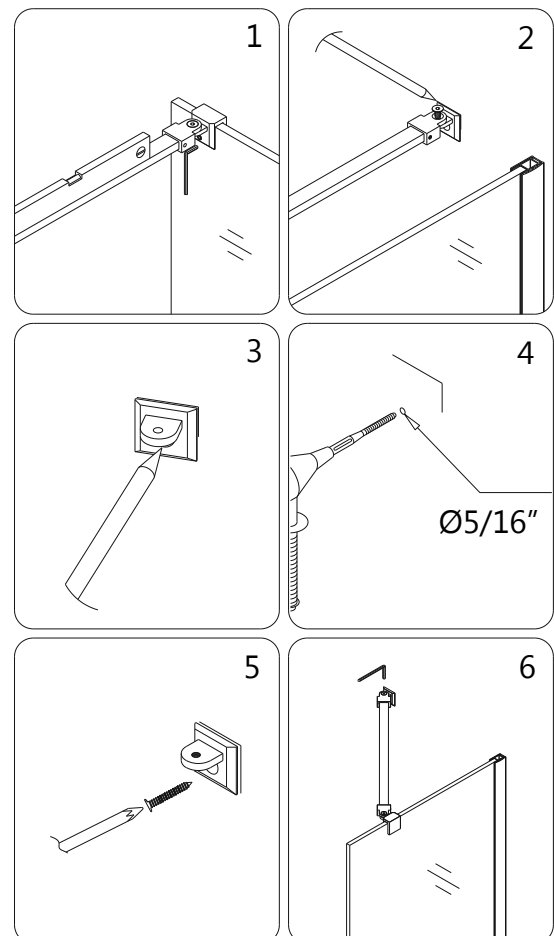


Fig. 11

11. Apply the sealant along the connection of the **Stationary glass** to the wall and the Shower base or the threshold.

See Fig. 12 for details.

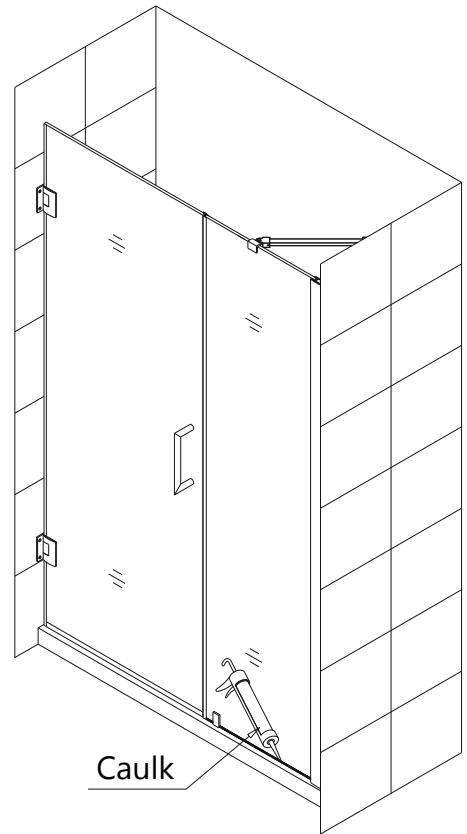
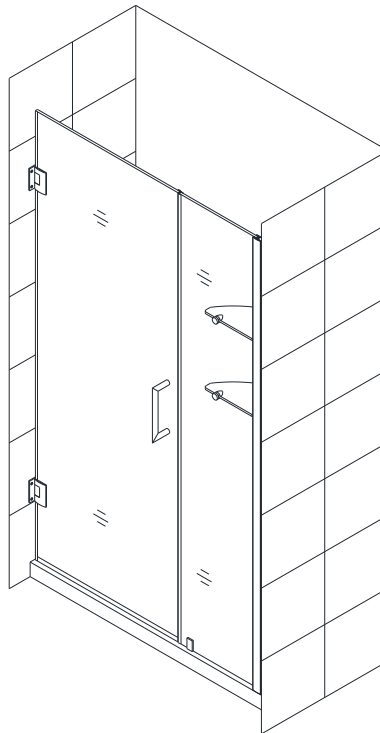


Fig. 12

## Style "C":      Glass Shelves\* Assembly and Installation

**NOTE: Use parts from Diagram "B" for the Glass Shelves\* assembly and installation.**



12. Mark the **Glass shelf\* (12)** position on the wall. According to the measurements in Fig. 13.1, mark the drilling holes for the **Shelf brackets\* (without nut) (22)**.

Drill the holes using  $\text{Ø } 5/16''$  drill bit and insert the **Wall anchors\* (13)**.

Attach the **Shelf brackets\* (without nut) (21)** to the wall using the **Countersunk screw\* ST4.2×40 (23)** and attach the **Shelf brackets\* (with nut) (21)** to the **Stationary glass (11)**.

Insert the **Glass shelves\* (12)** into the **Shelf brackets\* (21)** and fasten the screws at the bottom of the brackets.

See Fig. 13 and Fig. 14 for details.

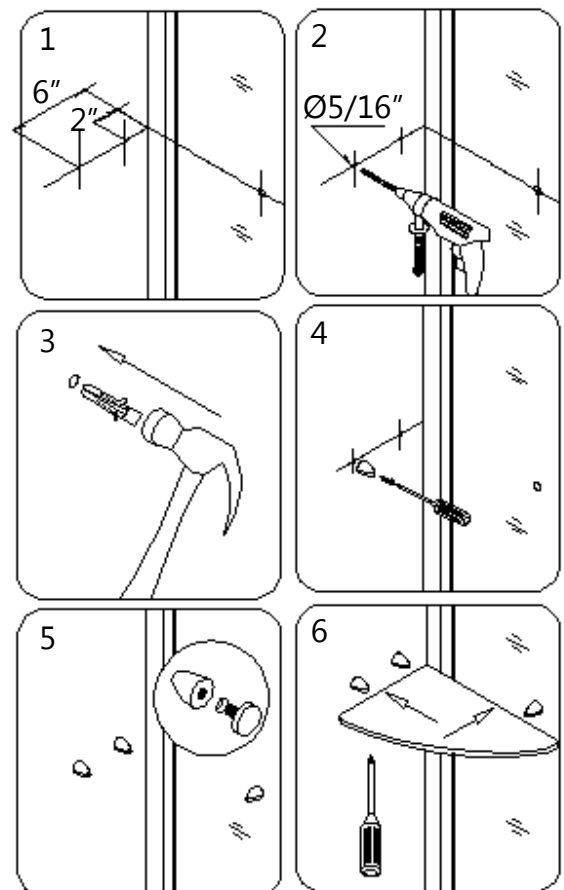


Fig. 13

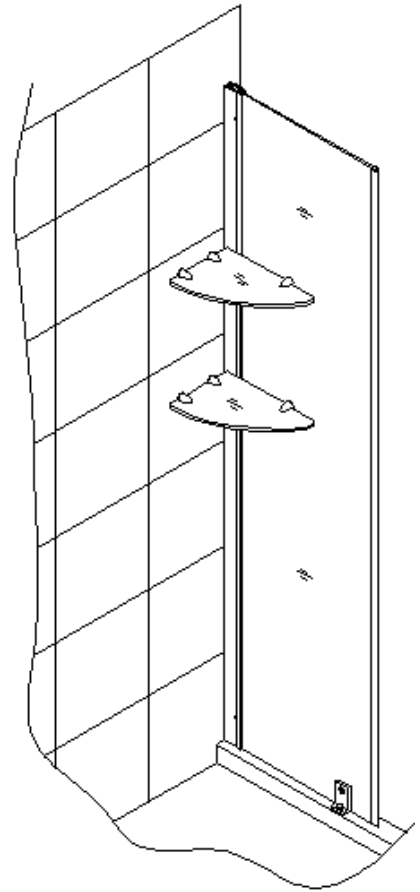


Fig. 14

13. Apply sealant along the connection of the **Stationary glass** to the wall and the Shower base or the threshold.

See Fig. 15 for details.

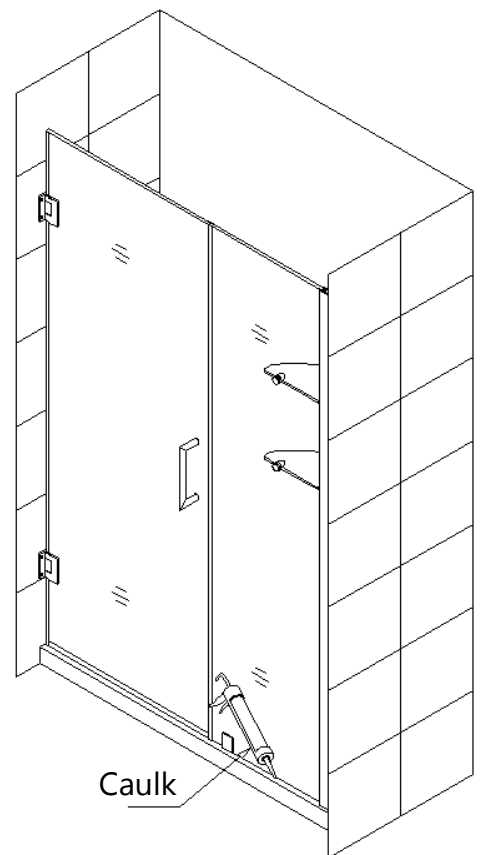


Fig. 15

## **Product Maintenance**

**BASES and BACKWALLS:** To ensure a long life for your acrylic back walls: wipe them off after each use with a soft cloth. To clean the acrylic back walls use non-abrasive sprays or cream based cleaners. Never use abrasive cleansers, metal brushes or scrapers that could scratch or dull the surface.

**GLASS:** To ensure long lasting life for your glass shower products: wipe them off after each use with a soft cloth. Rinse and wipe off the glass using either a soft cloth or a squeegee to prevent soap buildup and water spots. To prevent scratching the surface: never use abrasive cleaners and cleaning products that contain scouring agents. Never use bristle brushes or abrasive sponges.

**HARDWARE:** To ensure a long lasting finish: wipe off the metal parts after each use with a soft cloth. Do not use abrasive cleaners or cleaning products containing ammonia, bleach or acid. If accidentally used, rinse the surface as soon as possible to prevent finish peeling or corrosion. After cleaning the shiny finishes, rinse thoroughly and wipe dry with soft cloth. Clean stainless steel surfaces at least once a week. When applying stainless steel cleaner or polish, work with (not across) the grain. Never use abrasive sponge or cloth, steel wool or wired brushes.



---

TEL: [866-731-2244](tel:866-731-2244)

FAX: [866-857-3638](tel:866-857-3638)

[WWW.BATHAUTHORITY.COM](http://WWW.BATHAUTHORITY.COM)

For more information on [DreamLine™ Shower Doors](#) and [Enclosure](#) please visit [www.BathAuthority.com](http://www.BathAuthority.com)