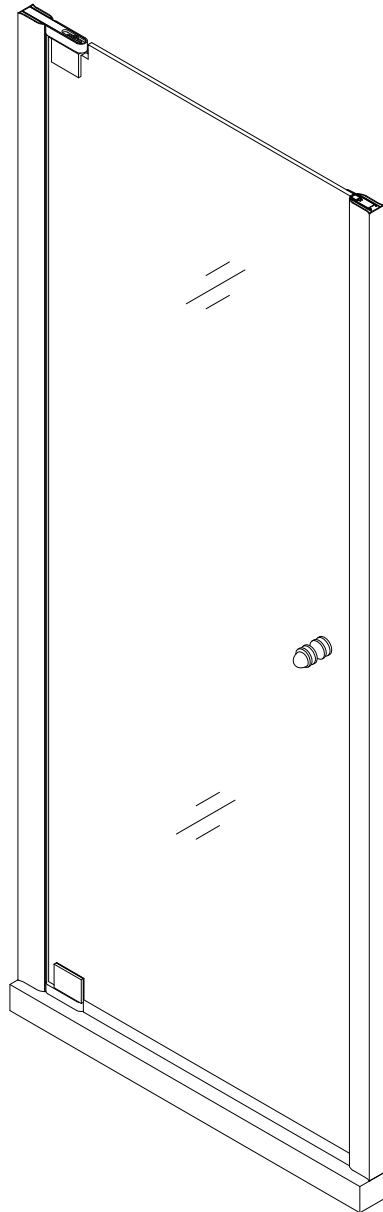




Elegance Shower Door Installation Instructions

IMPORTANT

Please read carefully the following instructions before installing your shower door. If you have any questions on this shower door installation - please call our technical support specialists Monday to Friday 9:00AM – 5:00PM EST at 1-866-731-8378 Option 3 or e-mail our technical support group at support@BathAuthority.com

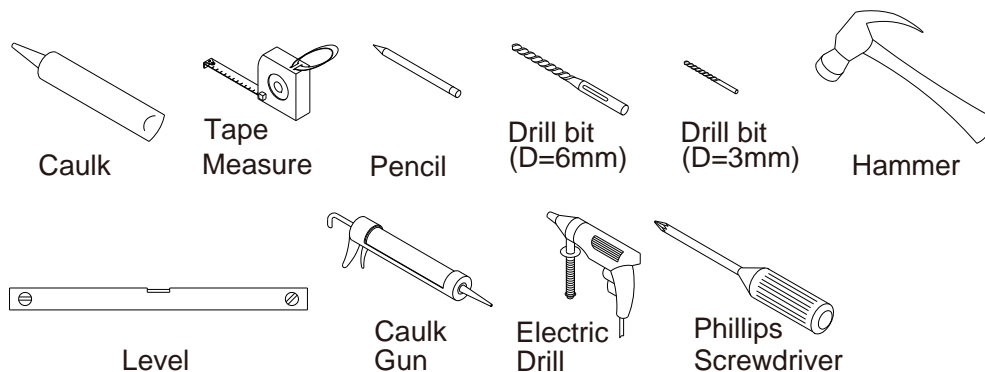


Our product may have changes without prior notice

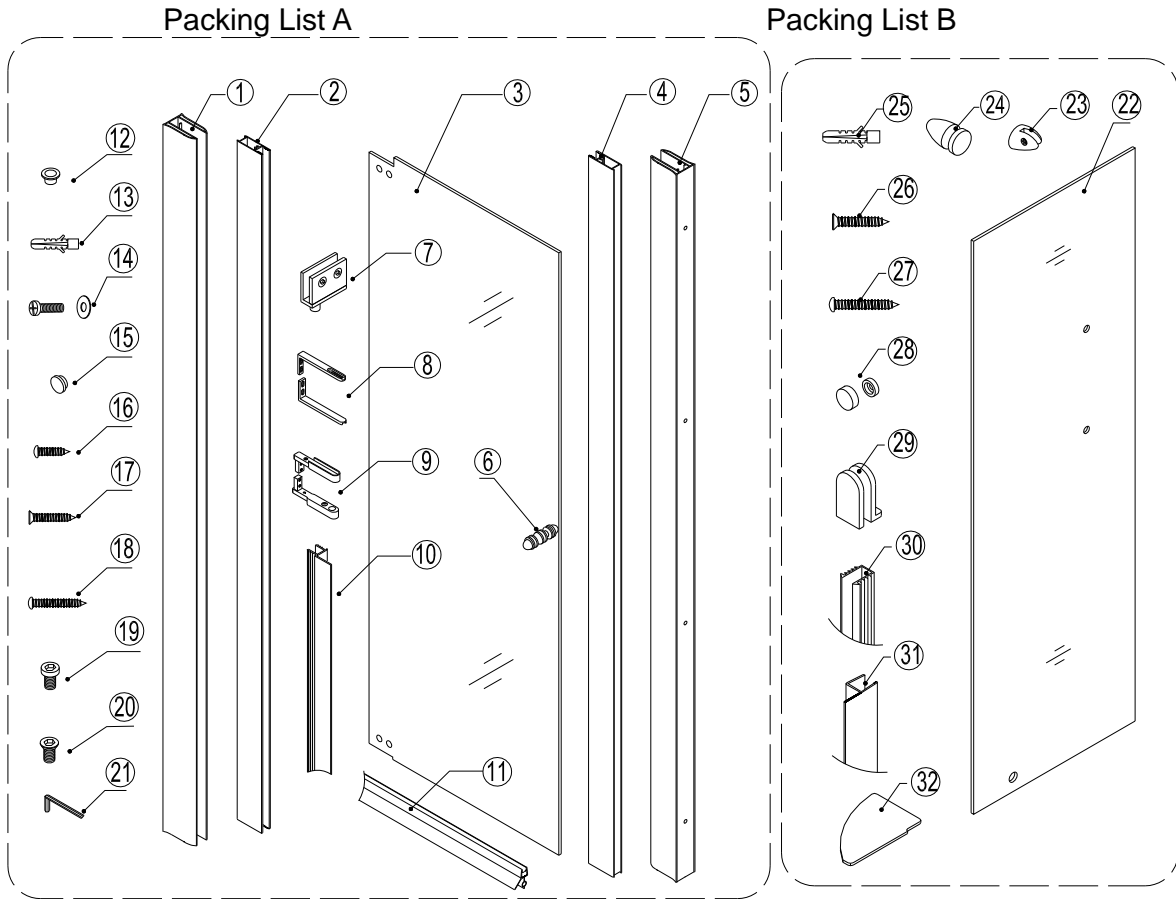
Preparation

1. After opening the case, read this introduction carefully, check all the packed parts are complete by cross checking all the components against the “Detailed Diagram of Shower Door Components”. Examine for shipping damage. If the unit has been damaged or has a finishing defect, please contact your local distributor within 3 business days. Please note that **Bath Authority™ / DreamLine™ will not replace any damaged product or parts free of charge after 3 business days or if the product has been installed.** Your distributor’s responsibility for damage in transit is limited after the shower package has been transferred to the transportation company, so you may have to contact the transportation company directly to report damage. Contact your distributor or DreamLine if you have any questions.
2. **Please note that you should consult your local building codes on questions on installation compliance standards. Building and plumbing codes vary by location, and DreamLine is not responsible for code compliance standards for your project.**
3. Install all of the required plumbing and drainage before securing the shower. **Use a competent and licensed (if required by local code) plumber for all plumbing installation.**
4. Please insure that prior to the installation the floor is leveled and solid. Also make sure the walls are at right angles. While some adjustment in leveling of the door is possible, irregular floor level or improper angle of side walls will result in serious problems for your installation. Please, note that there are some adjustments and drilling might be necessary during the installation process.

Tools Required



Detailed Diagram of Shower Door Components



Packing List A

01	Wall profile for glass door	1pc	12	Washer	2pcs
02	Glass profile for glass door	1pc	13	Wall anchor	12 pcs
03	Glass door	1pc	14	Bolt M4x16 (With washer)	4 pcs
04	Glass profile	1pc	15	Decorative cover	6 pcs
05	Wall profile	1pc	16	Round head screw ST4.2x10	6 pcs
06	Handle	1pair	17	Flat head screw ST4.2x25	2 pcs
07	Pivot assembly (upper and bottom)	1pair	18	Round head screw ST4.2x30	13 pcs
08	Pivot retainer (upper and bottom)	1pair	19	Socket head screw M6x10	1 pcs
09	Pivot bracket (upper and bottom)	1pair	20	Flat socket head screw M6x16	1 pcs
10	Anti-water strip	2pcs	21	Hex wrench	1 pcs
11	Bottom anti-water strip	1pc			

Packing List B (Only for doors with stationary glass)

22	Stationary glass	1pc	28	Decorative cover	1pc
23	Glass bracket (without nut)	4pcs	29	Bracket	1pc
24	Glass bracket (with nut)	2pcs	30	U-shape seal gasket	1pc
25	Wall anchor	4pcs	31	Anti-water strip	1pc
26	Flat head screw ST4.2x25	4pcs	32	Glass shelf	2pcs
27	Round head screw ST4.2x25	1pc			

After you have checked that all components are there, you are ready to start the installation of your DreamLine™ shower door.

Assemble Steps

1. Locate the **Wall profile for glass door (1)** and place vertically against the finished wall. Adjust the profile using a level. Use predrilled holes in the aluminum profile to mark holes for drilling. Now drill holes in the wall and insert the **Wall anchor (13)** into the hole. See Fig 1 for details.
2. Apply silicone sealant along the holes on the wall. Push the **Pivot retainer (8)** into the top and bottom sides of the **Wall profile for glass door (1)**. Attach the wall profile to the wall using **Round head screws ST4.2x30 (18)**. See Fig 2 for details.
3. Locate the **Glass profile for glass door (2)**. Push the upper **Pivot bracket (9)** into the top groove of the **Glass profile for glass door (2)**; then secure it and the profile with **Flat head screws ST4.2x25 (17)** and **M4x16 bolt (14)**. Repeat the same steps for the bottom Pivot bracket. See Fig 3 for details.
4. Install the bottom **Pivot assembly (7)** onto the **Pivot bracket (9)**. Make sure that the **Washer (12)** is in between the pivot assembly and the pivot bracket. Remove the back fastener from the pivot assembly. Set the **Glass door (3)** so the holes are aligned. Make sure the rubber gaskets are in between the glass and the metal parts. Secure the glass with the back fastener using the provided bolt. Repeat the same steps for the upper pivot assembly. See Fig 4 for details.
5. Install **Handle (6)** onto the **Glass door (3)**. See Fig 5 for details.
6. Push the glass door assembly into the groove of the **Wall profile for glass door (1)**. Secure the upper pivot retainer and the upper pivot bracket with **Socket head screw M6x10 (19)**. See Fig 6 for details.
7. Repeat Step 1 to install the **Wall profile (5)** onto the other wall. Apply silicone sealant along the holes on the wall. Attach the wall profile to the wall using ST4.2x30 screws. See Fig 7 for details.

NOTE: If your shower door is less than 1 meter in width, you only need to assemble parts from Packing List A and follow steps 8-11. However if your door is more than 1 meter in width, you will need to add the one piece stationary glass (Packing List B), skip steps 8-11 and continue your installation with Step 12.

8. Push the **Glass profile (4)** into the groove of the **Wall profile (5)**; then push the **Anti-water strip (10)** into the groove of the **Glass profile (4)**. Close the glass door and make sure that there is 2~3mm gap between the glass door and the anti-water strip. Adjust the glass door using a level and tighten in place with the **Socket head screw M6x10 (19)**. Drill holes on the **Wall profile for glass door (1)**. Secure the wall profile for glass door and the **Glass profile for glass door (2)** with **Round head screws ST4.2x10 (16)**. Cover screw locations with **Decorative covers (15)**. See Fig 8 & 9 for details.
9. Secure the **Wall profile (5)** and **Glass profile (4)** with **Round head screws ST4.2x10 (16)**. Cover screw locations with **Decorative cover (15)**. See Fig 10 for details.
10. Open the glass door. Secure the bottom pivot retainer and the bottom pivot bracket with **Flat socket head screw M6x16 (20)**. Push the **Bottom anti-water strip (11)** onto the glass door. Push the other **Anti-water strip (10)** into the groove of the **Glass profile for glass door (2)**. See Fig 11 (Note: You can also attach the pivot retainer to the tray or threshold using ST4.2x30 screw. Apply silicone sealant to prevent leakage. See Fig 12)
11. Apply silicone sealant between the tray or threshold and the pivot bracket.

NOTE: The following steps (Steps 12-17) only apply to doors wider than 1 meter.

12. Locate the **Stationary glass (22)**. Small hole on the short side of the stationary glass should be on the bottom and away from wall. Place the **U-shape seal gasket (30)** on the long (vertical) side of the glass panel. Push the **Stationary glass (22)** into the **Glass profile (4)** groove using a hammer. (**NOTE: If the stationary glass and the glass profile have been assembled, you can skip this step.**) See Fig 15 & 16 for details.

13. Refer to Fig 17 to mark the drill holes for the **Glass bracket (23)**. Make sure the marks are clear and visible. Drill holes on the marks and insert **Wall anchors (25)**. Using **Flat head screws ST4.2x25 (26)** to attach the **Glass brackets (23)** to the wall. Install the **Glass brackets (with nut) (24)** onto the **Stationary glass (22)**. Install the two **Glass shelves (32)** to the stationary glass. See Fig 17 & 18 for details.
14. Attach the **Anti-water strip (31)** onto the **Stationary glass (22)** and close the glass door. See Fig 19 for details.
15. To adjust and secure the stationary glass - Install the **Bracket (29)** onto the stationary glass; mark the drill hole for the bracket. Make sure the mark is clear and visible and drill the hole on the mark. Use the **Round head screws ST4.2x25 (27)** to attach the **Bracket (29)** to the tray or the threshold. Cover the screw location with **Decorative cover (28)**. See Fig 19 & 20 for details.
16. Adjust the glass door using a level; then drill holes on the **Wall profile (5)**. Secure the **Wall profile (5)** and the **Glass profile (4)** with **ST4.2x10 screws (16)**. Cover the screw location with **Decorative cover (28)**. See Fig 21 for details.
17. Apply silicone sealant between the stationary glass and the tray or the threshold. See Fig 22 for details.

NOTE: If you need to install the door on the right wall, simply exchange the position of the wall profile for glass door (2) and the pivot assembly (7).

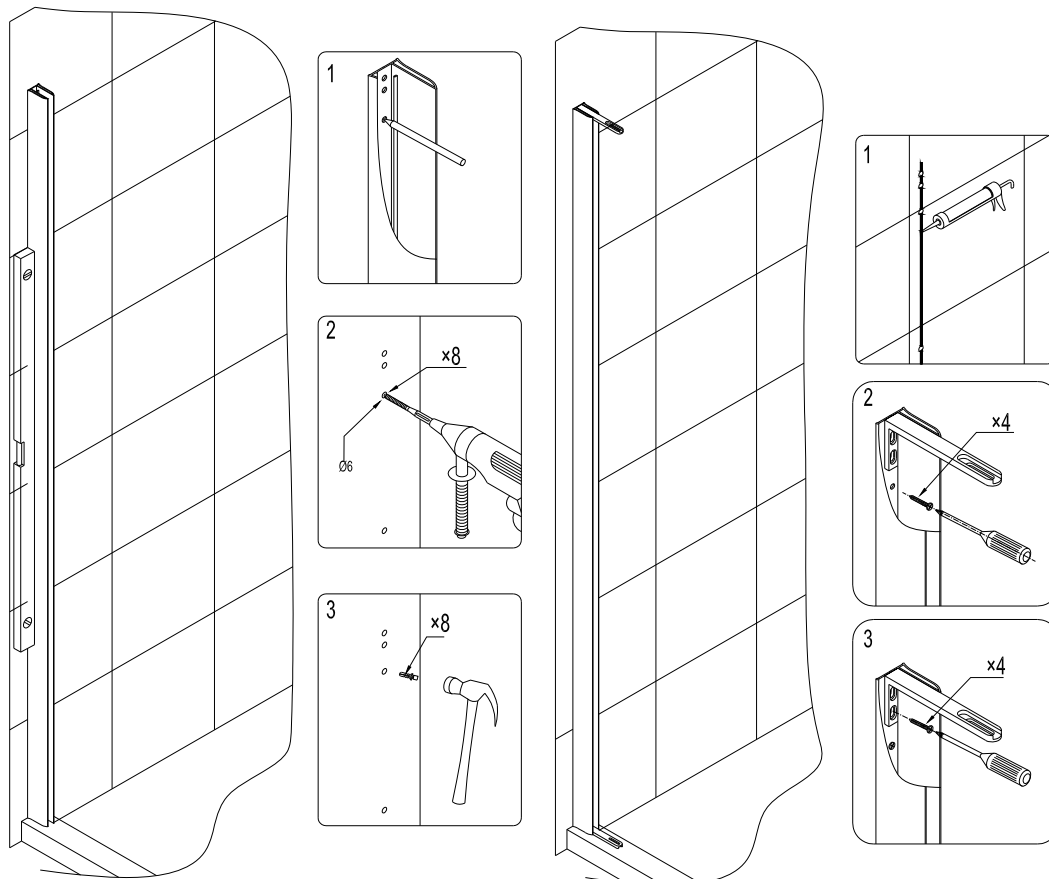


Fig 1

Fig 2

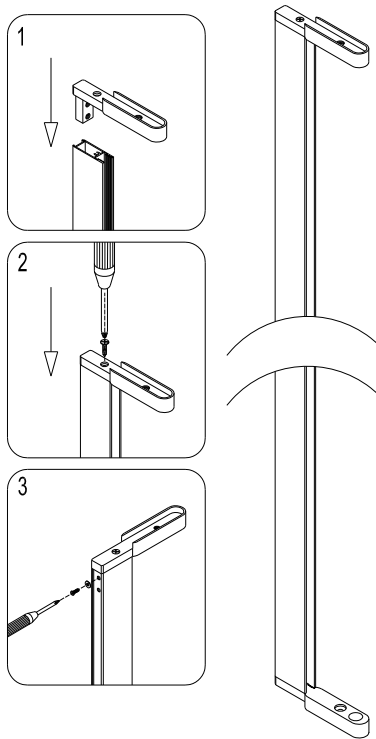


Fig 3

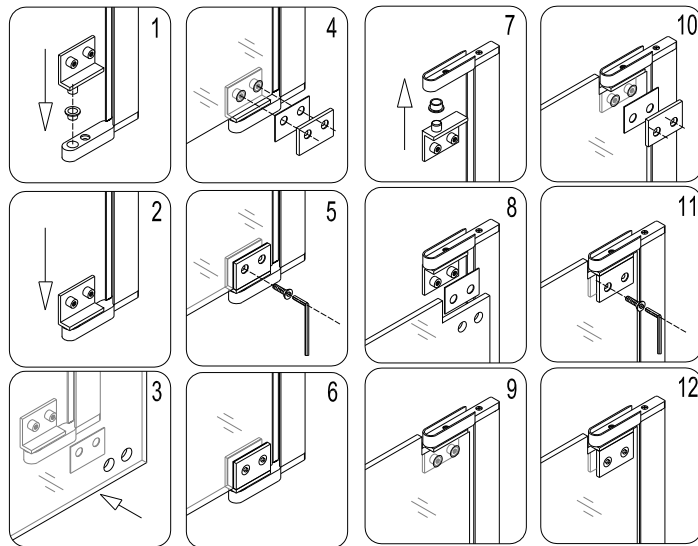


Fig 4

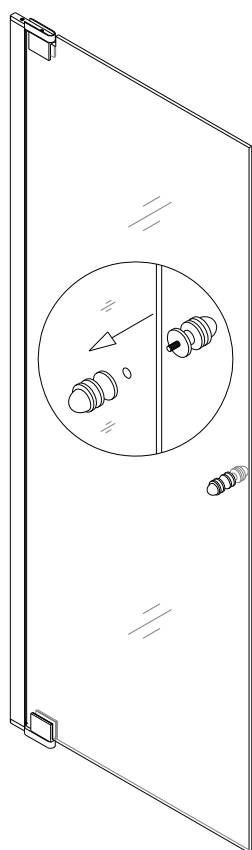


Fig 5

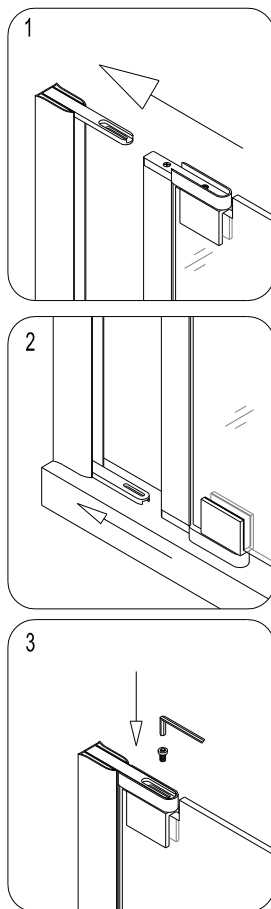
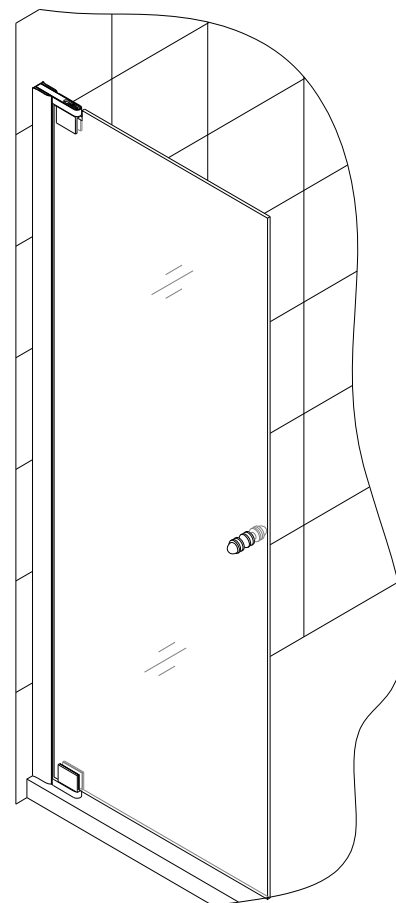


Fig 6



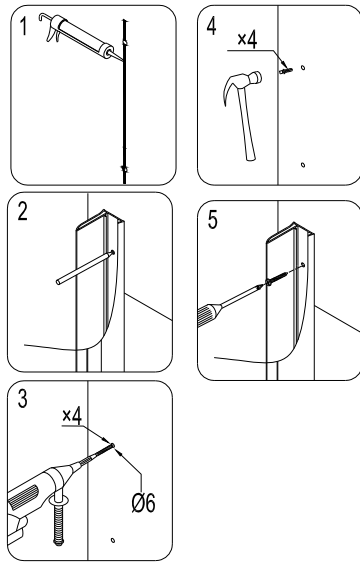
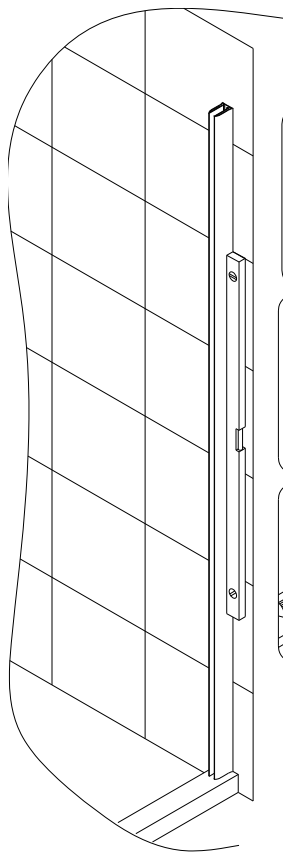


Fig 7

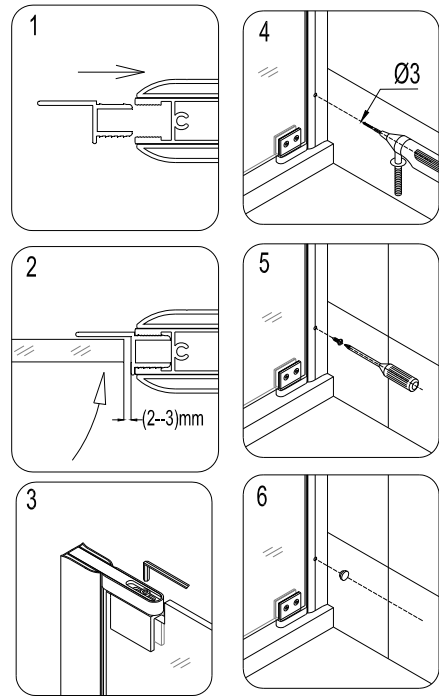


Fig 8

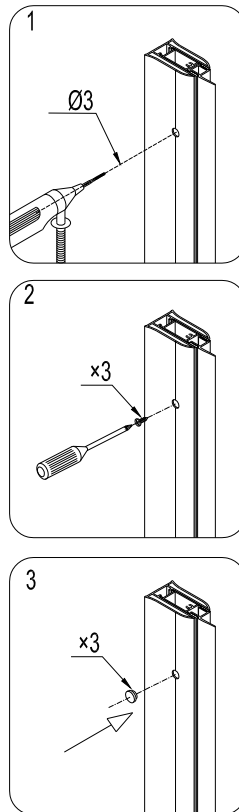
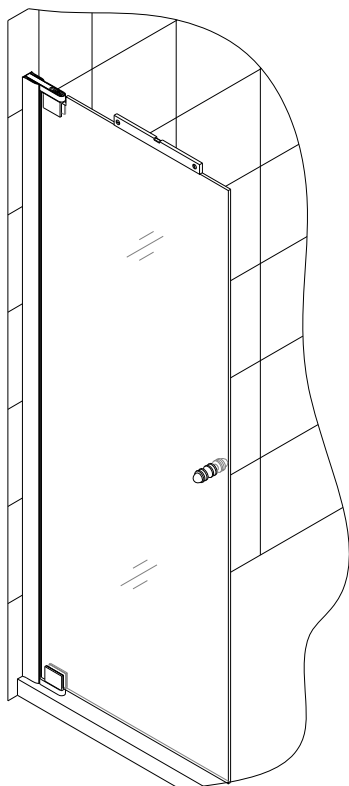


Fig 9

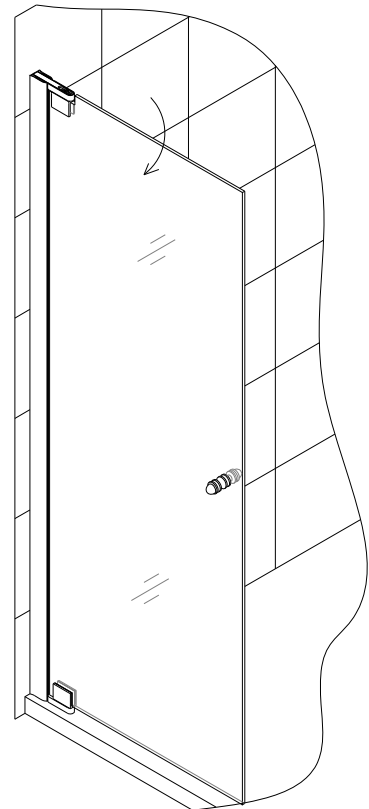


Fig 10

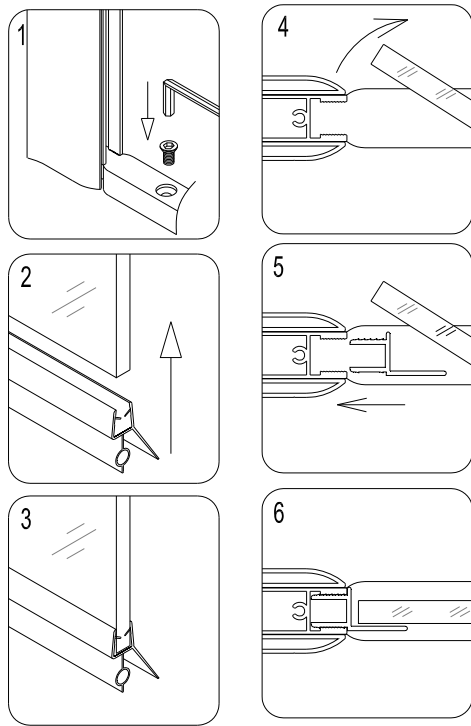


Fig 11

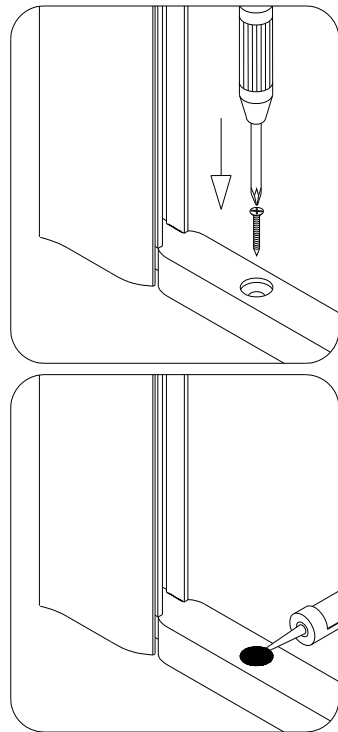


Fig 12

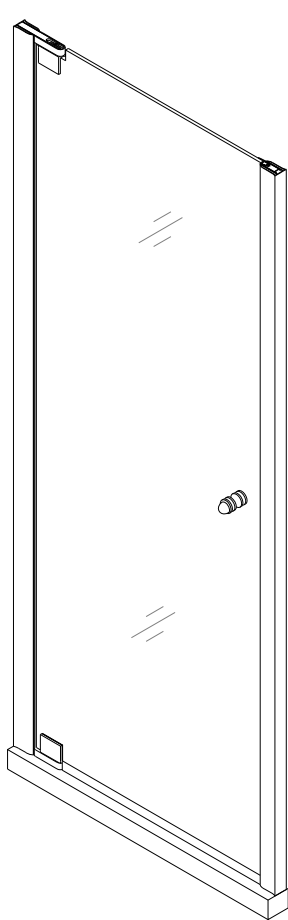


Fig 13

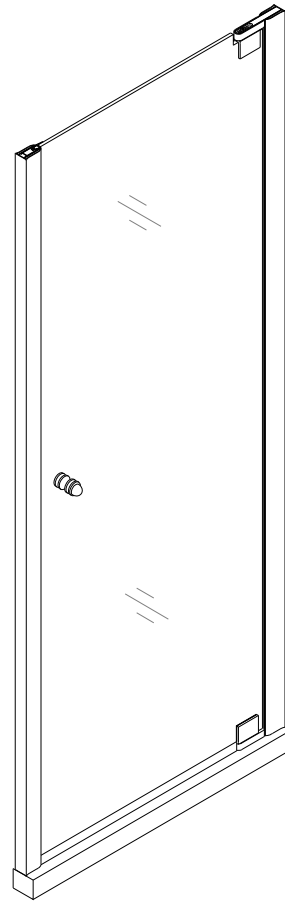


Fig 14

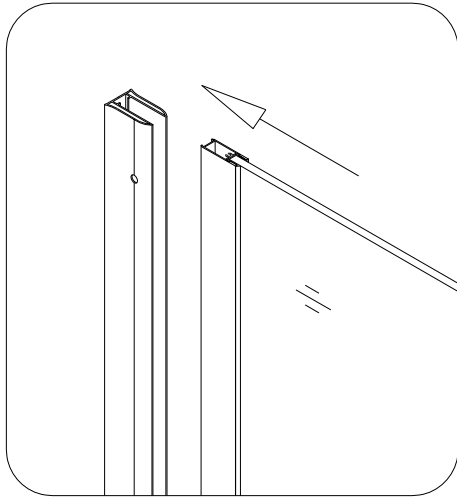


Fig 15

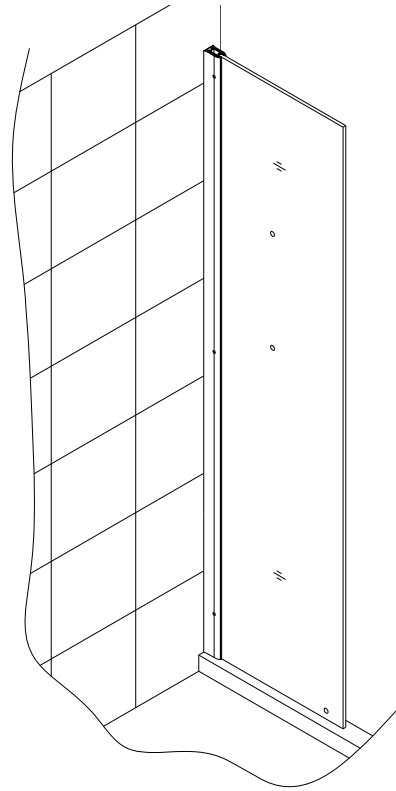


Fig 16

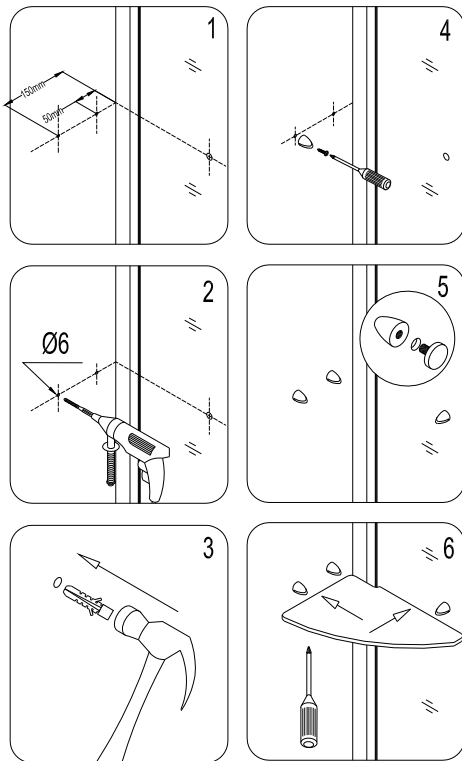


Fig 17

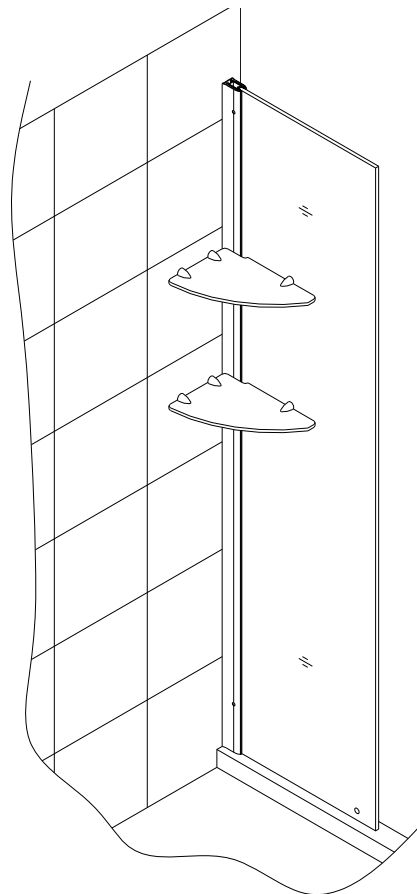


Fig 18

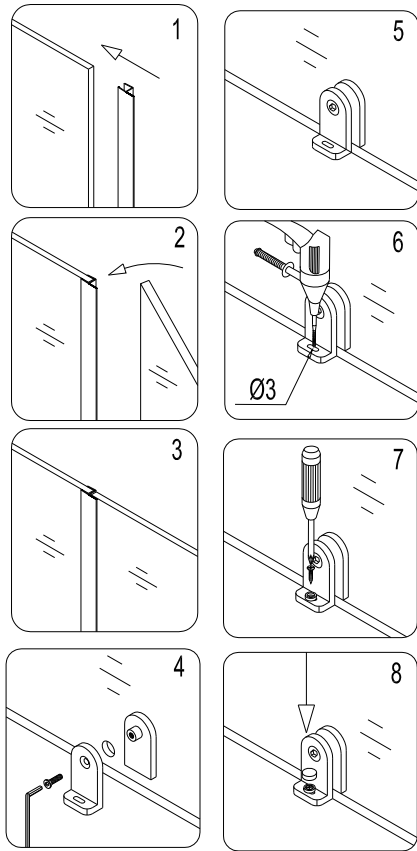


Fig 19

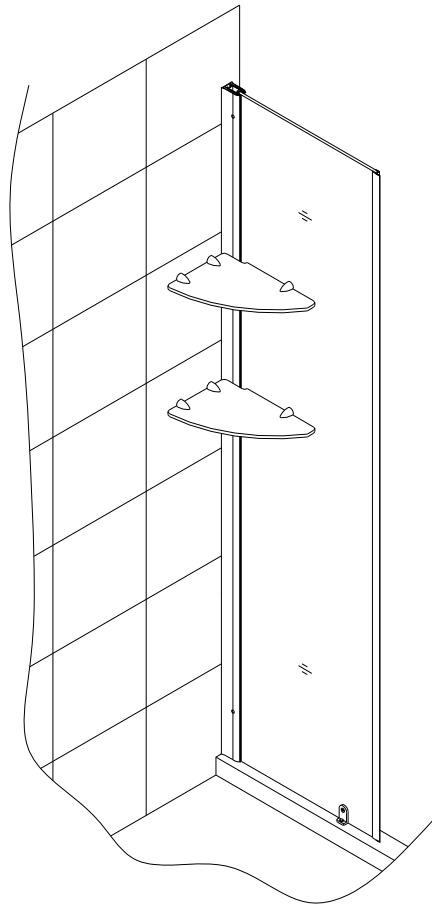


Fig 20

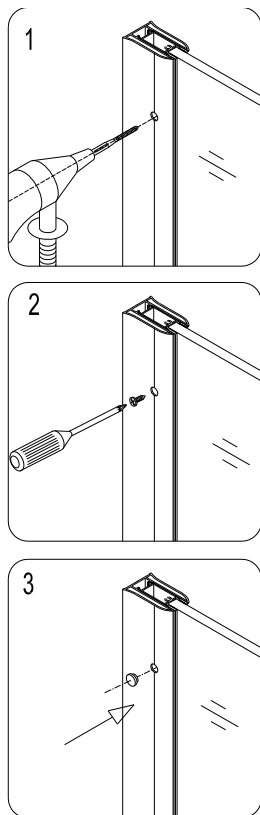


Fig 21

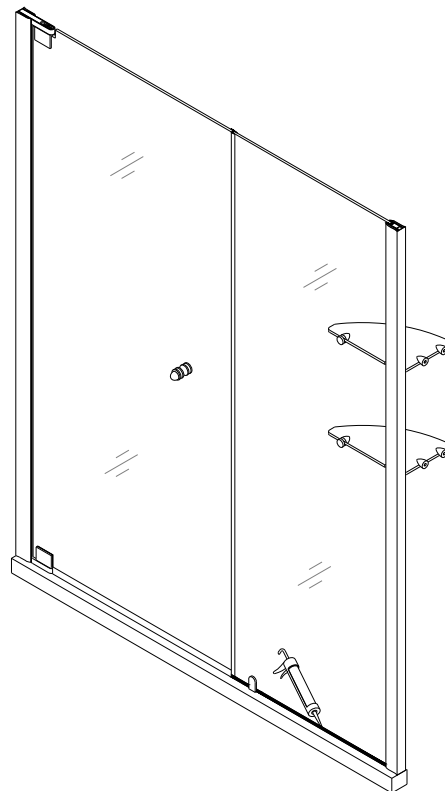


Fig 22

Product Maintenance

1. Tempered glass can be cleaned with nonabrasive bathroom cleaners or any glass cleaner you would use elsewhere in your home. Rinse off any glass cleaner that gets on the aluminum as soon as possible to avoid damage to the anodized surface. Avoid striking the glass with any sharp or hard objects. Such damage can cause either immediate or delayed breakage of tempered glass.

2. The aluminum in your shower door is durable and resistant to water damage. It is advisable, but not necessary to wipe it with your towel after your shower. Clean it as often as needed to keep the buildup of dirt, water stains or soap stains off. Never use any type of abrasive cleaner on aluminum. Use only a soft damp cloth and nonabrasive bathroom cleaners.