



Shower Tray Installation Instructions

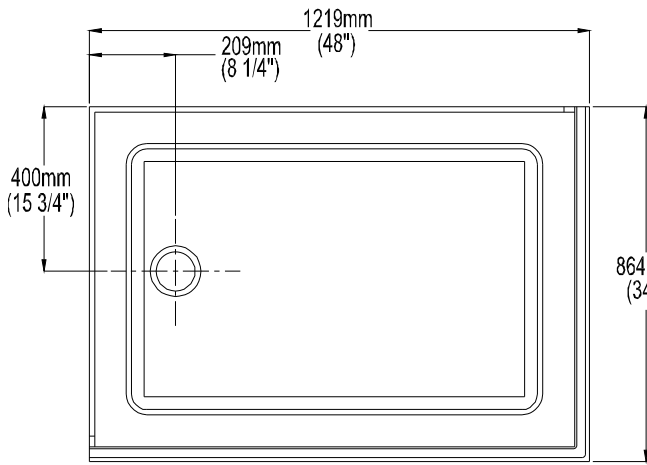
IMPORTANT

Please read carefully the following instructions before installing your shower cabin. If you have any questions on this shower cabin installation - please call our technical support specialists Monday to Friday 9:00AM – 5:00PM EST at 1-866-731-8378 Option 3 or e-mail our technical support group at support@BathAuthority.com

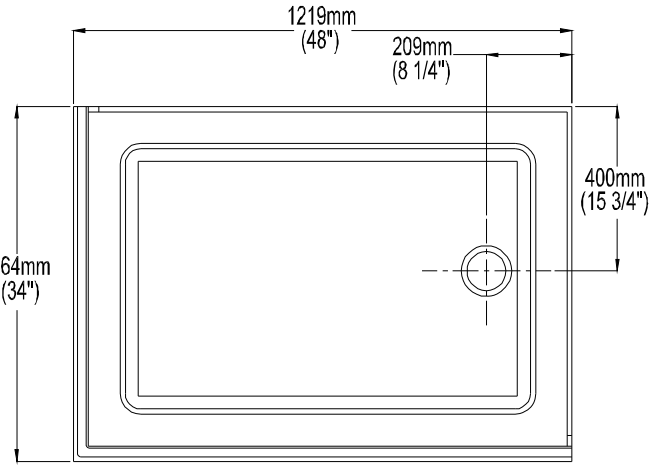
Preparation

1. After opening all the boxes, read this introduction carefully, check all the packed parts are complete by cross checking all the components against the “Detailed Diagram of Shower Cabin Components”. Examine for shipping damage. If the unit has been damaged or has a finishing defect, please contact your local distributor within 3 business days. Please note that **Bath Authority™ / DreamLine™ will not replace any damaged product or parts free of charge after 3 business days or if the product has been installed.** Contact your distributor or distributor if you have any questions.
2. **Please note that you should consult your local building codes on questions on installation compliance standards. Building and plumbing codes vary by location, and DreamLine is not responsible for code compliance standards for your project.**
3. Install all of the required plumbing and drainage before securing the shower. **Use a competent and licensed (if required by local code) plumber for all plumbing installation.**
4. Please insure that prior to the installation the floor is leveled and solid and will be able to support the total weight of the unit and its occupant. Also make sure the walls are at right angles. While some adjustment in leveling of the tray is possible, irregular floor level or improper angle of side walls will result in serious problems for your installation. Please, note that there are some adjustments and drilling might be necessary during the installation process.

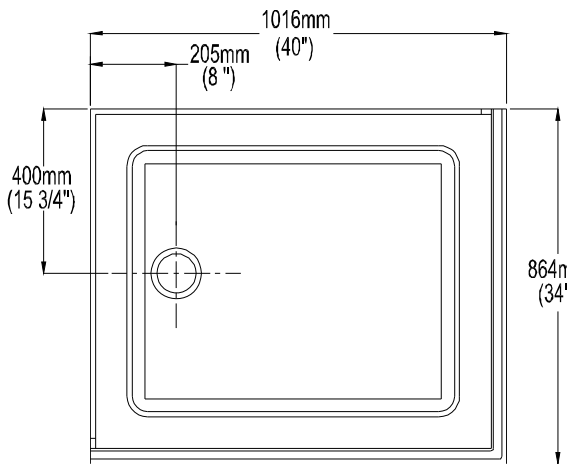
IMPORTANT NOTE: *Dimensions provided for reference only. You must measure the actual shower tray sizes before installation. Allowed tolerance for center of the drain is $\pm\frac{1}{2}$ ”.*



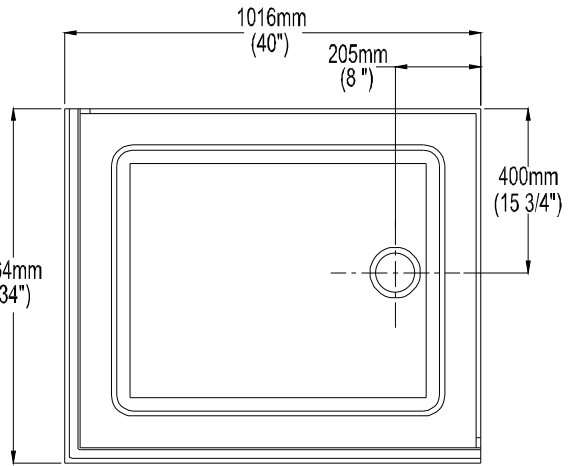
SHTR-1034481



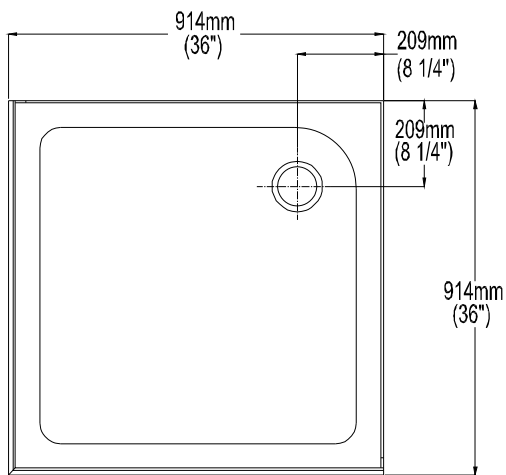
SHTR-1034482



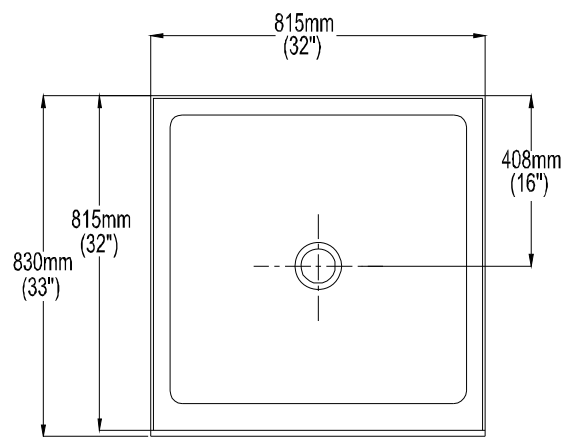
SHTR-1034401



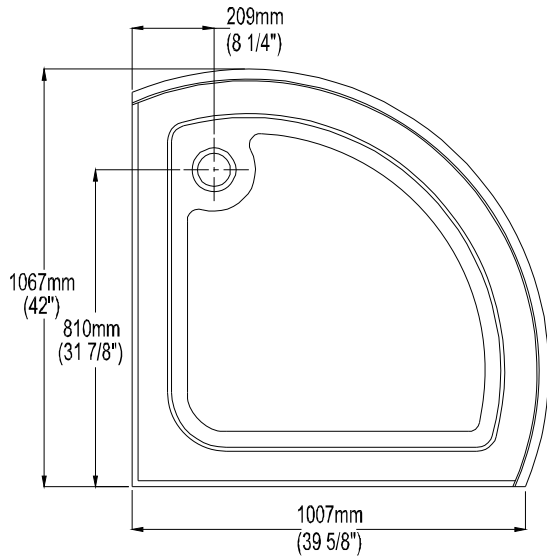
SHTR-1034402



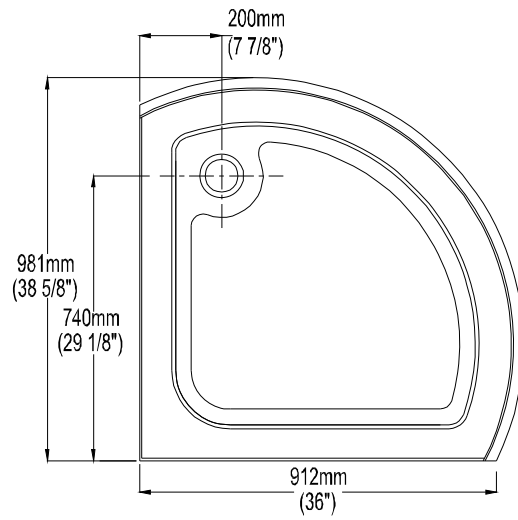
SHTR-1036360



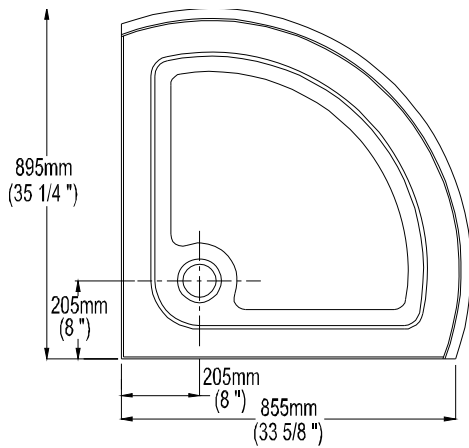
SHTR-1132320



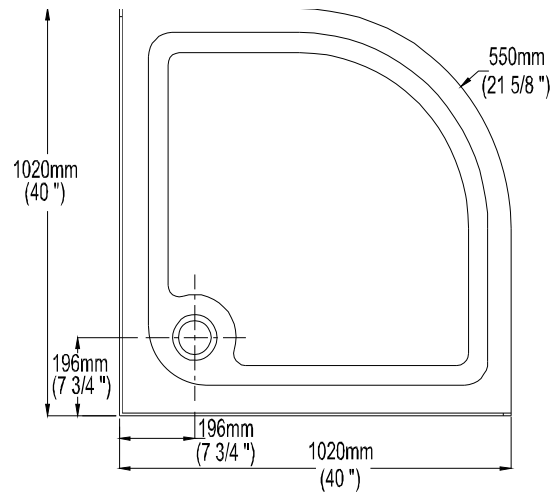
SHTR-404040



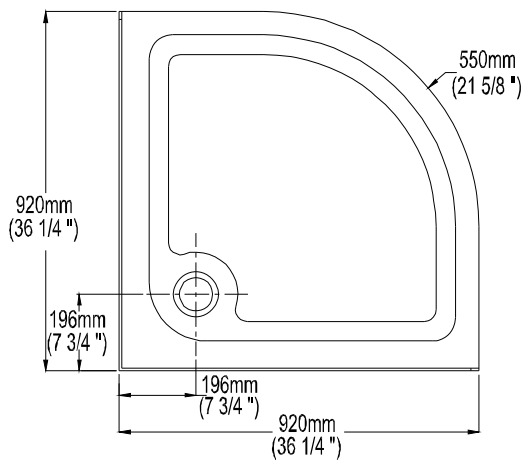
SHTR-403636



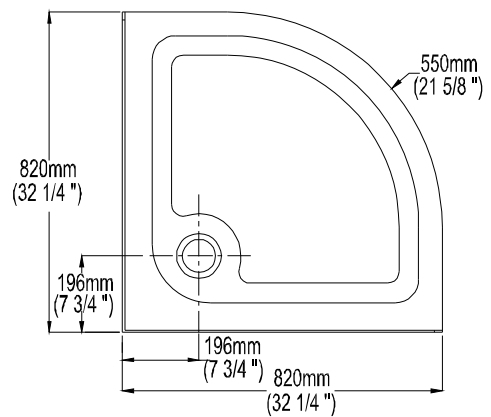
SHTR-403434



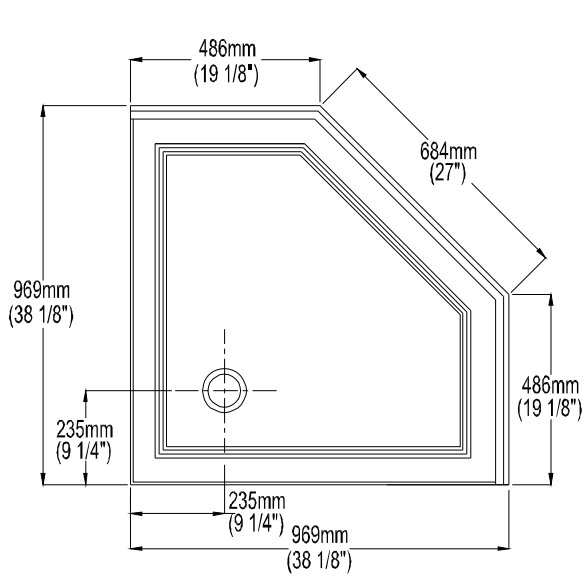
SHTR-704040



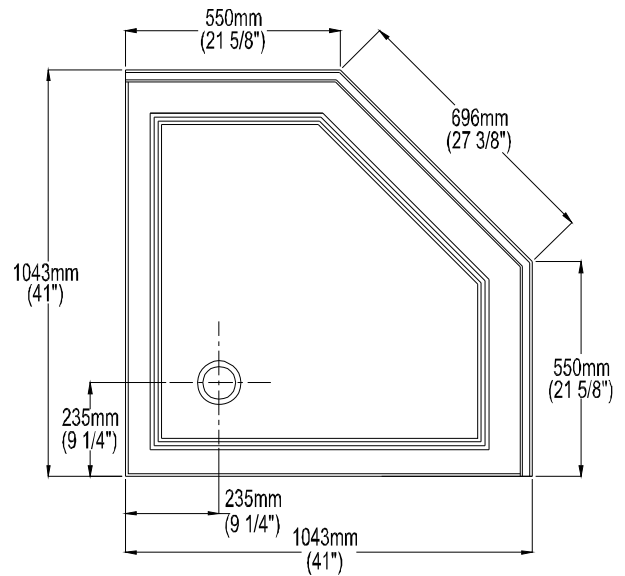
SHTR-703636



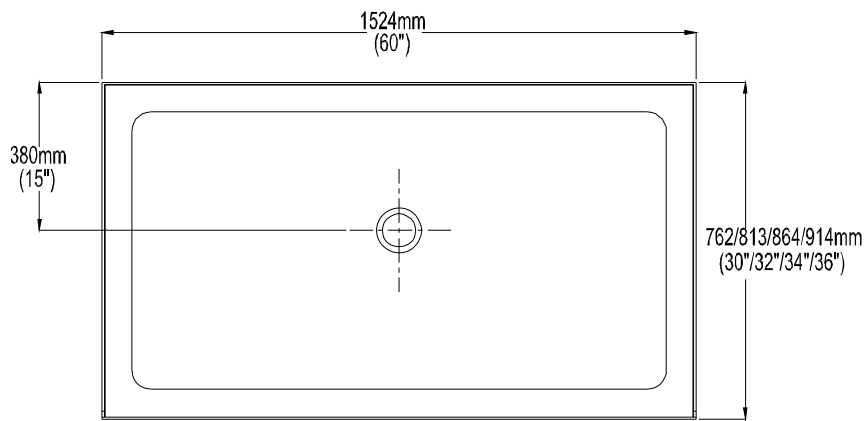
SHTR-7032320



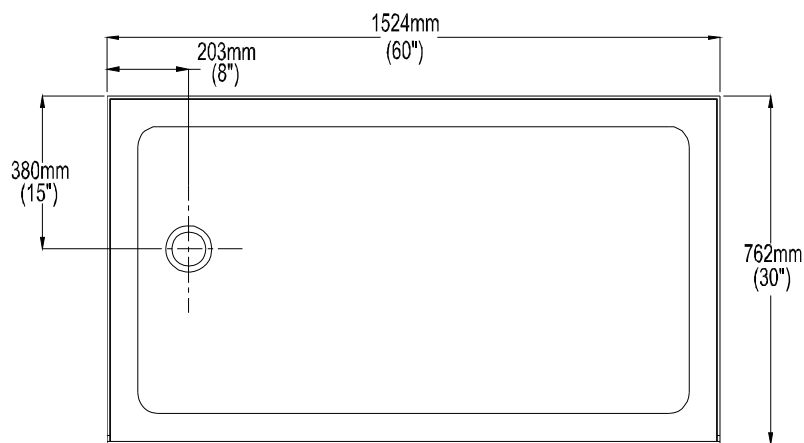
SHTR-2038380



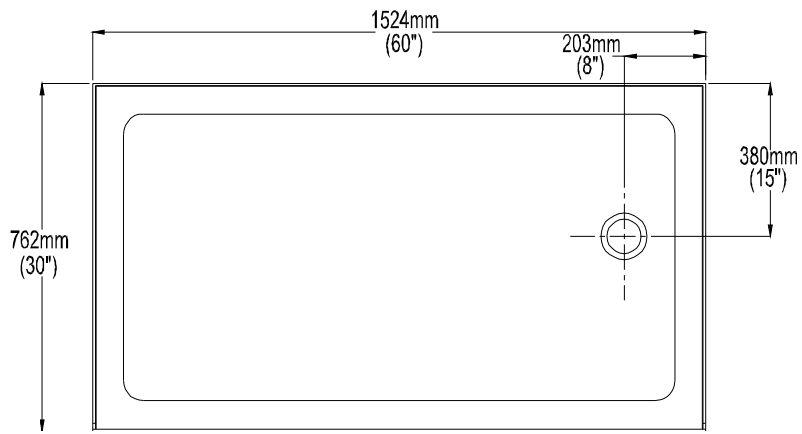
SHTR-2041410



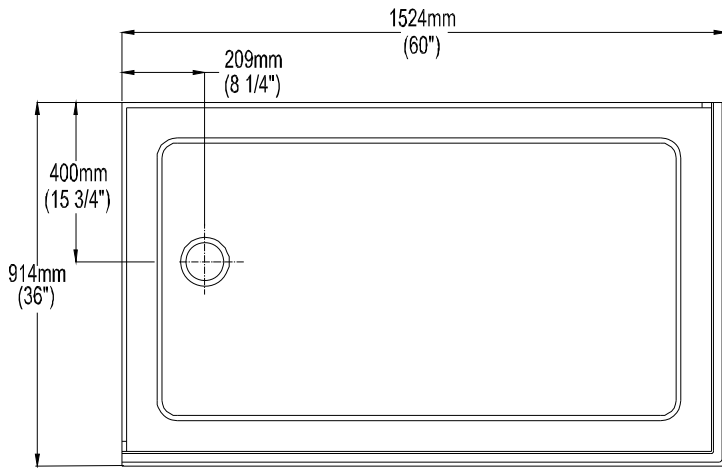
SHTR-11 30/32/34/36 600



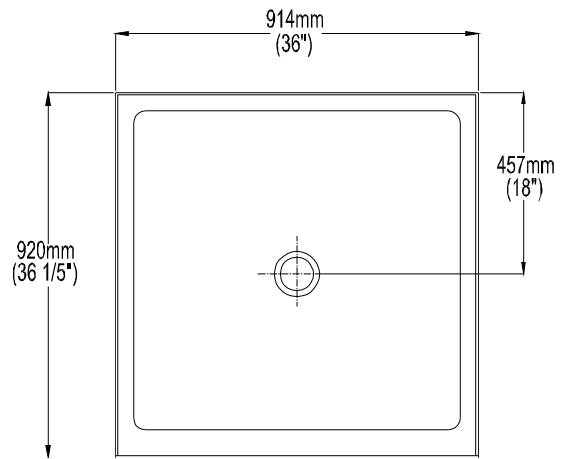
SHTR-1130601



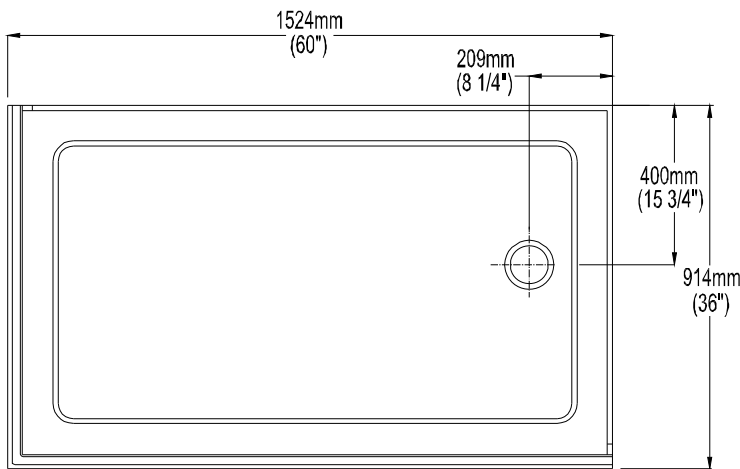
SHTR-1130602



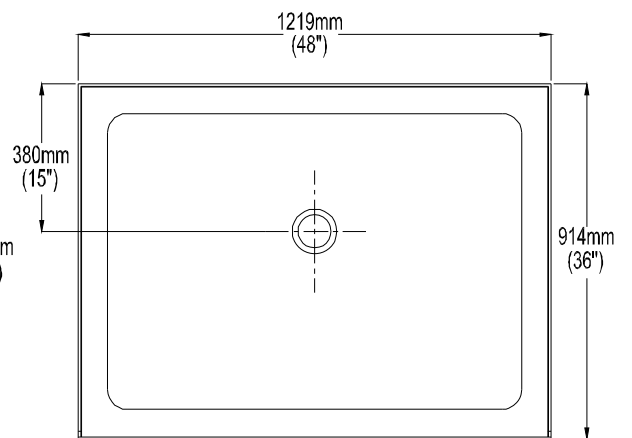
SHTR-1036601



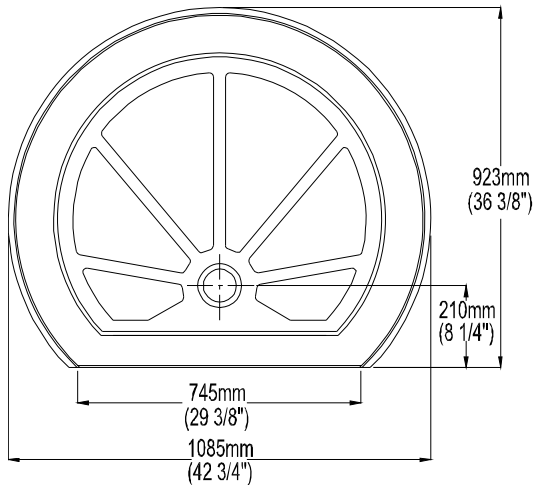
SHTR-1136360



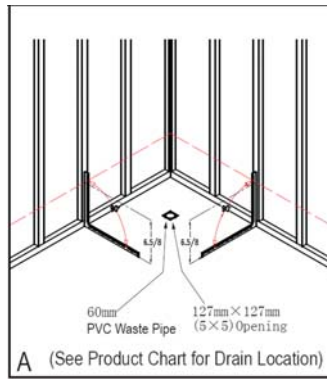
SHTR-1036602



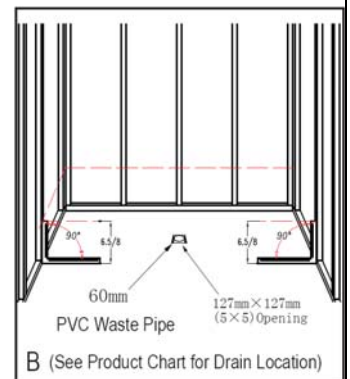
SHTR-1136480



SHTR-5037430



A (See Product Chart for Drain Location)



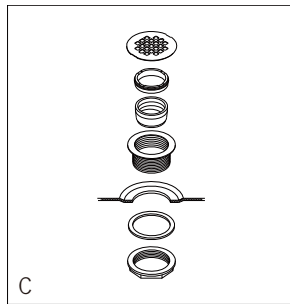
B (See Product Chart for Drain Location)

①

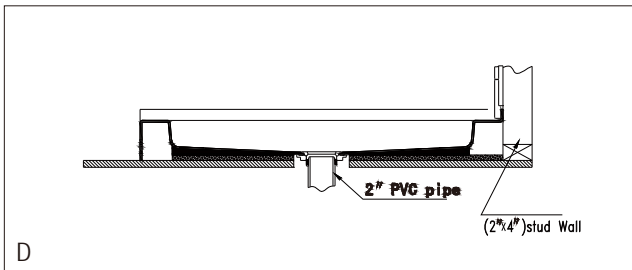
Ensure the floor and stud walls are at the right angle. Provide a 5"×5" opening in the floor for the drain (Pic A&B). The waste pipe should extend above the surface of the sub-floor. See product drawings on this page for the specified drain locations.

②

Install shower drain according to the drain installation manual (supplied with the drain)



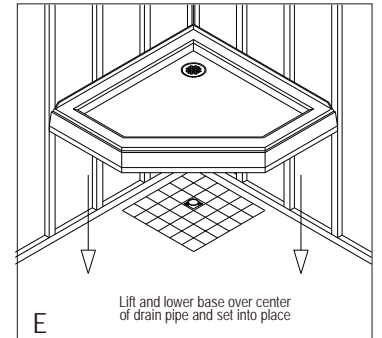
C



D

③

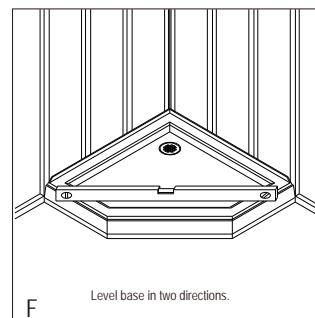
- 1) Place the tray in to the installation position (Pic E&F)
- 2) Level tray and place marks on studs on the upper edge of the tile flange
- 3) Remove the tray from the place (Pic E&F)
- 4) Mix the bedding material (Mortar, Plaster, etc). Concrete is not recommended. Apply enough bedding material to support the entire bottom of the shower base.



E Lift and lower base over center of drain pipe and set into place

④

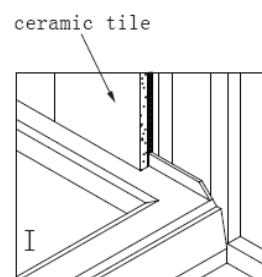
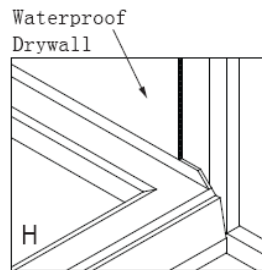
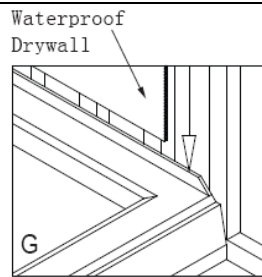
After the bedding material has been poured and before it sets, place the shower base into the position with the drain assembly sliding over the waste pipe (Pic E); it will be necessary to push the shower base until the top of the tile flange aligns with the marks drawn on the wall studs and the front edge is contacting the rough floor along the entire length of the shower base. Ensure that the base is level in two directions (Pic F). You may need to use shims to hold the tray in the level until the bedding settles and supports the tray. Remove all extra mortar.



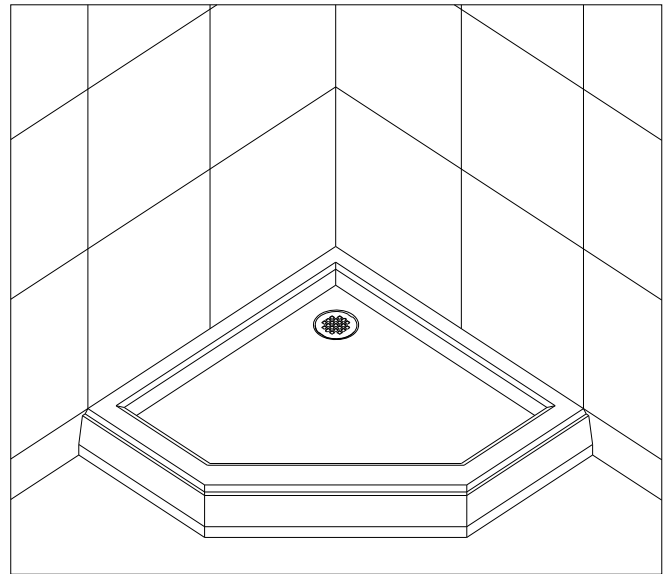
F Level base in two directions.

⑤

Allow the bedding material to completely harden before applying weight to the bottom of the shower base.



⑥



Acrylic Cleaning. Acrylic should be cleaned with warm water and a clean, nonabrasive cloth. If desired, a mild, nonabrasive detergent may also be used. Use only light pressure when cleaning frequently. Dry by blotting gently with a clean, dry cloth.

DO NOT USE window cleaning sprays, alcohol, kitchen abrasive compounds, or solvents (such as acetone, gasoline, or thinners). Do not use ammonia based cleaning solutions on the acrylic as it will eat in the surface and cause it to damage.

How do you get scratches out of Acrylic? For light scratches, use a buffing compound such as car wax. Lightly buff the surface by hands until scratches disappear.

