



SHOWER SEAT

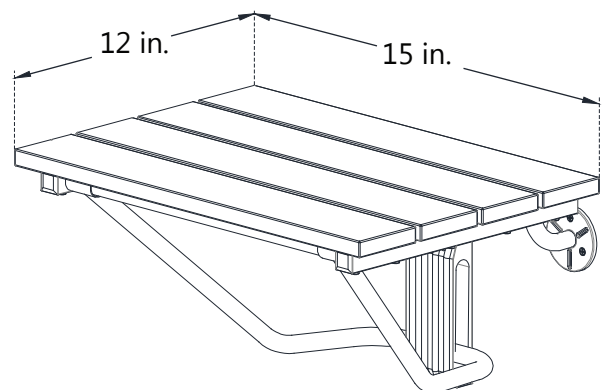
Specification Features

- NATURAL TEAK FOLDING SHOWER SEAT
- DESIGNED TO MOUNT ONTO EXISTING SURFACE
- REQUIRES SPECIAL REINFORCED MOUNTING
- WEIGHT CAPACITY OF 250 LBS. WHEN INSTALLED PROPERLY
- WATER-RESISTANT TEAK WOOD
- STAINLESS STEEL HARDWARE
- SEAT FOLDS-UP

Technical Information

- Model: SHST-01-TK
- Dimensions: 12 7/8 in. D x 15 in. W
- Product Width: 15 in.
- Product Depth: 12 7/8 in.
- Product Height: 11 3/8 in.

Model SKU: SHST-01-TK



Shower Seat Models:

Important Notes



Teak Folding Shower Seat
12 7/8 in. D x 15 in. W
SHST-01-TK



ADA Compliant Shower Seat
15 3/8 in. D x 20 in. W
SHST-02-TN



Plastic Folding Shower Seat
13 1/8 in. D x 15 in. W
SHST-01-PL

If this unit is going to be installed in a new construction, please, install all of the required plumbing and drainage before installing the shower. Use a competent and licensed (if required by local code) plumber for all plumbing installation.

You should consult your local building codes with questions about installation compliance standards. Building and plumbing codes may vary by location, and DreamLine® is not responsible for code compliance standards for your project and will not accept any returns.

Additional wall support is required. This shower seat **MUST NOT** be mounted to sheetrock, drywall, plaster, fiberglass, acrylic or other similar wall surfaces without appropriate and required wood or concrete backing support material.

Max capacity:
250 Lbs. when installing into required wood reinforcement or concrete behind the finished wall.

Important Disclaimers

Please note that you should consult your local building codes with questions on installation compliance standards. Building and plumbing codes may vary by location, and DreamLine® is not responsible for code compliance standards for your project and will not accept any returns.

For commercial customers, we strongly recommend the use of Dreamline's Onsite Contractor Support option.

Dreamline's commercial warranty does not apply to damage or losses resulting from (i) other than normal and proper use and normal service conditions; (ii) improper installation, (iii) installation in or upon an unsuitable surface or areas; (iv) abuse, (v) accident, (vi) alteration, (vii) misuse, (viii) neglect, (ix) unauthorized repair or the failure to utilize suitably qualified and trained persons to perform service and/or repair of the Product, (x) improper maintenance, (xi) failure to follow installation, operating, cleaning or maintenance instructions, and (xii) use of "non-authorized" parts.