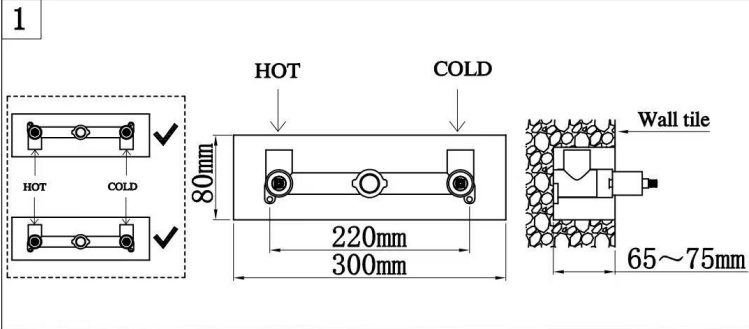
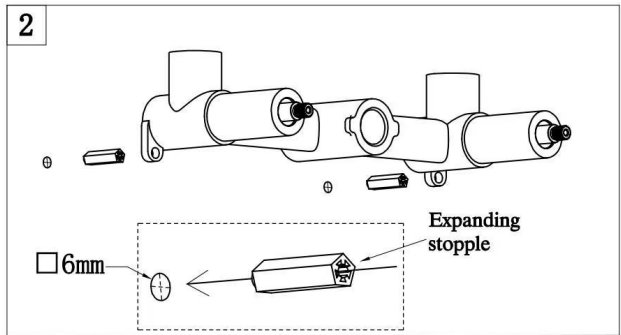


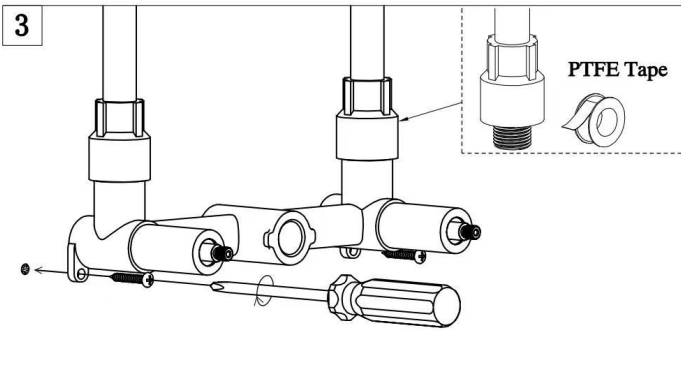
Installation Instructions



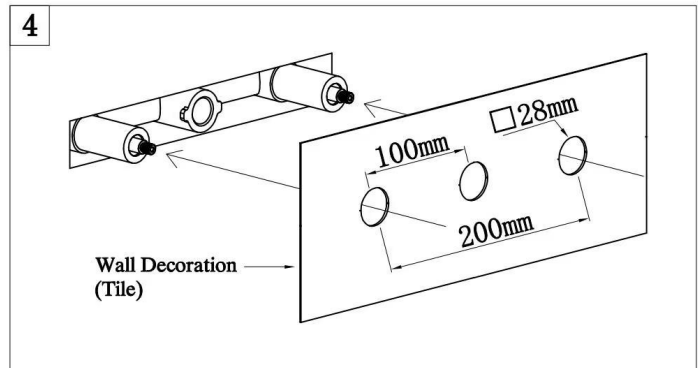
The size of the pre-slotted in the wall:
Length:300mm,width:100mm,depth:68~78mm after wall decoration.
(Note: Please confirm the thickness of wall decoration before grooving).



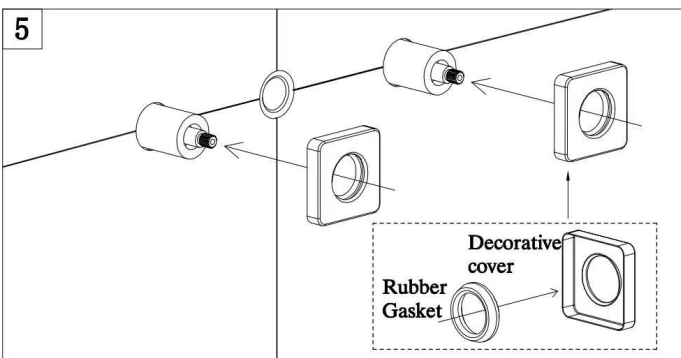
Mark pre-assembly holes on the wall, drill holes with a 6mm drill bit, and then drive Expanding stopple into the holes.



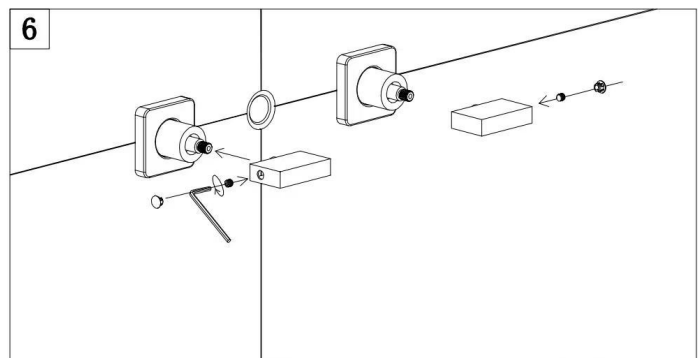
Wrap PTFE tape around the connector,screw into the corresponding hole of the faucet body.Fix the concealed body in the hole slot,(Note:Please ensure the parallelism and perpendicularity of the faucet body before tightening the screws.)Then fill the hole slots.



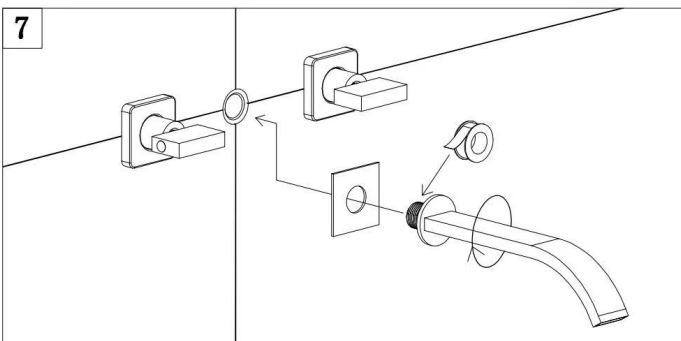
For wall decoration tiles, please make holes according to the suggested dimensions in the picture above.



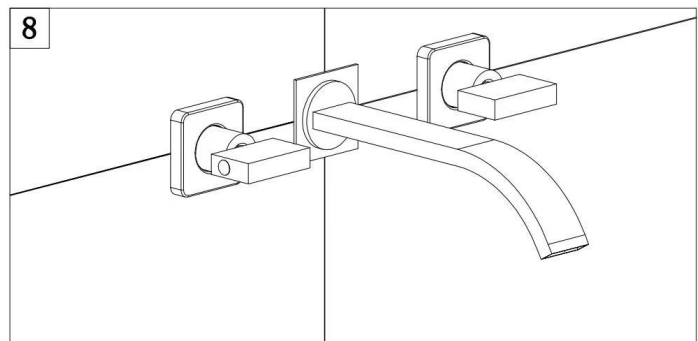
Place the rubber gasket on the back of the decorative cover and slowly pass through the body switch to the wall.



Install the hand wheel into the body switch, tighten the screw with the allen key, then Install the button.



Wrap the PTFE tape around the connector of the spout, and insert the decorative sheet and spout throw into the corresponding hole in turn to complete the installation.



After installation,please ensure that the left for the hot water, and the right for the cold water.