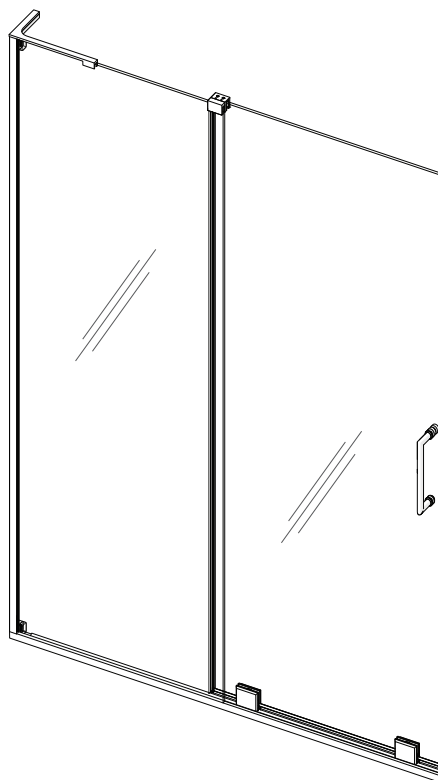
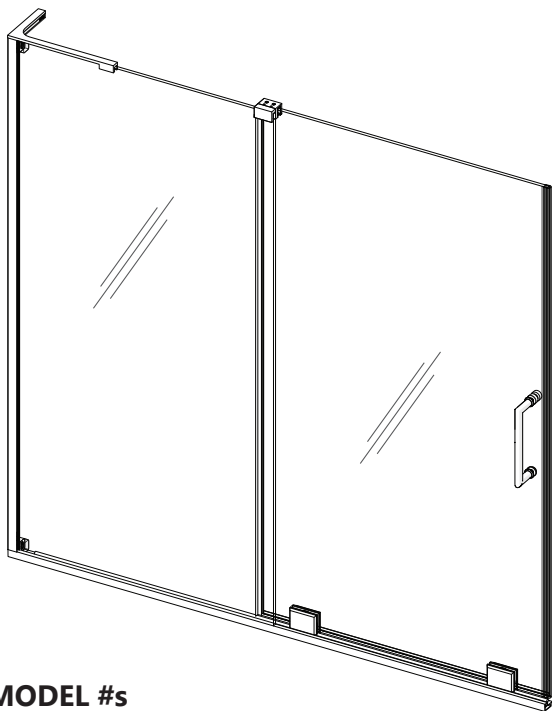


MIRAGE-X

SHOWER AND TUB DOOR INSTALLATION INSTRUCTIONS

PLEASE REVIEW THIS ENTIRE MANUAL PRIOR TO INSTALLATION



MODEL #s

- SHDR-1948723-##
- SHDR-1948723L-##
- SHDR-1948723R-##
- SHDR-1960580-##
- SHDR-1960580L-##
- SHDR-1960580R-##
- SHDR-1960723-##
- SHDR-1960723L-##
- SHDR-1960723R-##

= FINISH:

- 01 - Chrome
- 04 - Brushed Nickel
- 05 - Brushed Gold
- 09 - Matte Black

MEASUREMENTS			
Model Size	Height	Width	
		Min.	Max.
48"	71"	44"	48"
60"	71"	55"	59"
Tub	58"	55"	59"

IMPORTANT!

DreamLine® reserves the right to alter, modify or redesign products at any time without prior notice for the purpose of product improvement and customer experience. Please refer to the model's web page on **DreamLine.com** for the latest technical drawings, installation manuals, warranty information or additional product details.

Do Not Return Product to the Store. Contact DreamLine® with any questions



Questions?

Please contact DreamLine Customer Support
See DreamLine.com for hours of operation

Support@DreamLine.com

1-866-731-2244



NOTES

Record the following purchase information for your records or in the event you need to contact DreamLine®:

Purchase Order Number _____

Store/Vendor Purchased From _____

Installation Date _____

OD Number (optional) _____
*found on the shipping box or label if available.

Installed By: _____

SKU Number _____

Table of Contents

Section Title	Page #
ClearMax [®] Coating Information	---
Warnings and General Preparation	2
Model Specific Preparation	3
Tools	4
Detailed Diagram of Shower and Tub Door Components	5
Parts List	6-7
Installation Steps	8-35
SafeStop [™] Bumper Installation	15-16
Reversible L-Bar [™] Installation	21-23
Bottom Roller Assembly Installation	30
Guide Block Assembly Installation	29
Re-Install Decorative Cover Plate	31
Handle and Bulb Vinyl Installation	32
Installation of Sweep Vinyls and Notching the Vertical Vinyl Strip	33
Application of Silicone	35
Product Maintenance	36
Troubleshooting	37
Bottom Roller Adjustment Procedure	30
Factory Parts Information	38-40

Symbol Legend



TIP - for ease of installation.



CORRECT - recommended.



NOTE - take note of special feature; additional information.

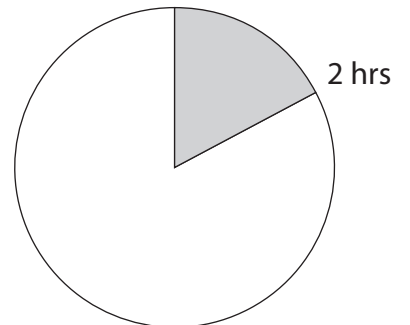


INCORRECT - not recommended.



REQUIRED - requires special attention; signifies a warning.

Average Installation Time



Important Product Information

IMPORTANT

- The manufacturer reserves the right to alter, modify or redesign products any time without prior notice for product improvement and customer experience. Please refer to the manufacturer's web page for the latest technical drawings, installation manuals, warranty information or additional product details.
- This product should be installed by someone familiar with the construction requirements for this type of project and the care necessary for the safe installation and operation of the product.
- The safety of any installation is the responsibility of the installer.
- Professional installation recommended. (*All Models*)
- Professional installation required for all Barn Door style shower doors.
- To prevent damage or serious injury, Do Not lean against the installed panel/door/glass.
- To prevent damage or serious injury: Do Not attempt to lift or move a heavy lite of glass alone. Use an assistant and/or a professional grade glass suction cup.
- The installation of some models may require drilling down into the threshold. Contact the manufacturer of the base, tub, or threshold material with any questions regarding the drilling of holes into their product.
- All drawings in this installation manual are for illustrative purposes only and are not drawn to scale.

TEMPERED GLASS WARNING

- Your Shower Door Glass Could Shatter Without Warning if Improperly Installed or Mishandled
- Do Not install or operate a shower door if the glass has chipped corners, slivered edges or is otherwise damaged and/or has been dropped or banged into a hard surface such as tile, marble or glass.
- **The main causes of tempered glass breakage are:**
 - Improper handling, storage or installation
 - Misuse/abuse
 - Lack of maintenance
 - Failure to replace damaged glass
 - **Improper handling during storage, unpacking and installation:**
 - Corners and edges are the most susceptible area to damage on a lite of tempered glass and should be protected and handled with care during storage, unpacking, installation and operation. A concentrated point of pressure or impact with a surface harder than itself may cause the tempered glass to shatter. The tempered glass may release immediately, within several hours or even days later.
 - **Incorrect installation of door hardware, rollers, hinges, channels, stopper or glass:**
 - Improper installation may include: loose hardware and/or lack of proper gaskets between the hardware and glass. Additionally, improper alignment of guide rails, wall profiles or other hardware during installation or operation may place stress on the glass edges and cause it to break.
 - This product must be installed by a professional and experienced installer familiar with the safe handling of tempered glass.
 - **Improper use of this product:**
 - Aggressively opening or closing the door may cause trauma to the glass, which can lead to breakage. This may occur immediately or hours or even days later.
 - **The shower door hardware and glass should be inspected periodically:**
 - Instruct the homeowner how to perform a periodic inspection of the shower hardware and glass - some minor adjustments may be necessary based upon the use (or misuse) of the shower door. Ensure that the hardware remains tight and that the door alignment and operation are correct. Any adjustments should be made upon discovery to prevent damage to the product.
 - Additional considerations should be given to the installation of frameless tempered glass products in households with young children or an elderly person due to an increased chance of improper handling. In such cases, alternatives such as shower curtains or grab bars should be considered.

GENERAL PREPARATION

- After opening all boxes and packages, read this introduction carefully. Check that all the items are included in the package by marking off the components on the "**Detailed Diagram of Product Components**" page. Examine all boxes and packages for shipping damage. If the unit has been damaged, has a finishing defect, or is missing parts; please contact the manufacturer within 3 business days of the delivery date.
Please note that the manufacturer will not replace any damaged products or missing parts free of charge after 3 business days or if the product has been installed. Please contact the manufacturer if you have any questions.
- **Please note that you should refer to your local building codes with questions on installation compliance standards. Building and plumbing codes may vary by location, and the manufacturer is not responsible for code compliance standards for project and will not accept any returns.**
- If this unit is going to be installed in a new construction, install all the required plumbing and drainage before installing the shower. **Use a competent and licensed (if required by local code) plumber for all plumbing installation.**
- Make sure that prior to beginning the installation, the surfaces are leveled and solid and will be able to support the total weight of the unit. Also make sure the walls are at right angles. Irregular installation surface level, radius corners or improper angle of side walls will result in serious problems for your installation. Please note that some adjustments and drilling will be necessary during the installation process.
- Protect all primary surfaces of the product during installation. Never set your glass down directly onto a tile floor. Leave corner protectors in place until it is necessary to remove them. Always use a piece of wood or cardboard to protect the bottom edge and corners of the glass prior to and during installation.
- This unit must be installed upon a finished threshold and against finished walls.
- *These shower doors are not designed to be installed into a fiberglass surround due to the radius corners and lack of a solid surface to mount the hardware.*

WARNING: TO AVOID THE RISK OF DAMAGE OR INJURY:

- **Follow all recommendations and requirements as shown in the installation instructions.**
- Perform a thorough inspection of the glass and all parts for any damage prior to installation. Any damage to tempered glass can cause breakage.
Do Not install damaged glass!
- Do Not install or operate a shower or tub door if the glass has chipped corners, slivered edges or is otherwise damaged. Do Not install or operate a shower or tub door that has been dropped or banged into a hard surface such as tile, marble or glass.
- **CAUTION:** Contact with any hard surface can damage tempered glass and cause it to shatter.
- This product uses tempered glass. Glass cannot be cut after it has been tempered.
Do Not attempt to cut tempered glass.
- Glass Shower doors, Tub doors, Inline panels, and Return panels can shatter due to improper handling or lack of maintenance. Conduct periodic inspections of glass and all parts for possible damage, missing or loose parts.
- Always wear proper safety equipment such as: safety goggles, work gloves and appropriate footwear during the installation process.
- **WARNING. Risk of leakage and/or damage.** Follow all instructions regarding the application of silicone sealant or caulk. Allow 24 hours for the sealant to cure before the initial use of the shower or tub product. Follow the silicone manufacturer's recommendations regarding the use of their product.
- **Thoroughly read these instructions before installing or using this product.**
- **Leave this manual for the end-user of the product.**



This product should be installed by someone familiar with the construction requirements for this type of project and the care necessary for the safe installation and operation of the product.

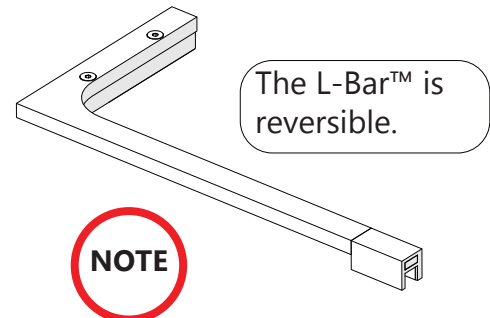
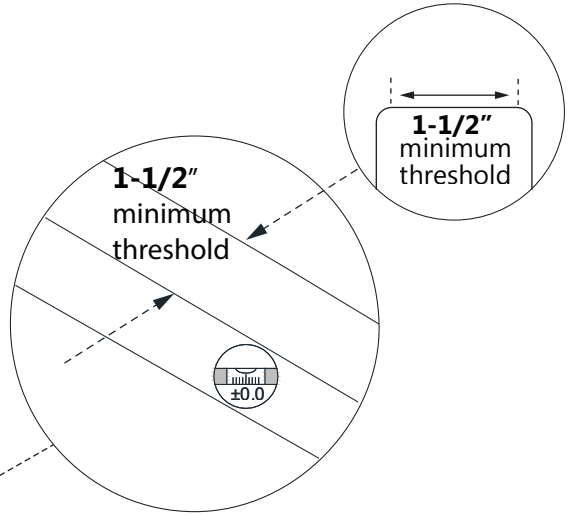
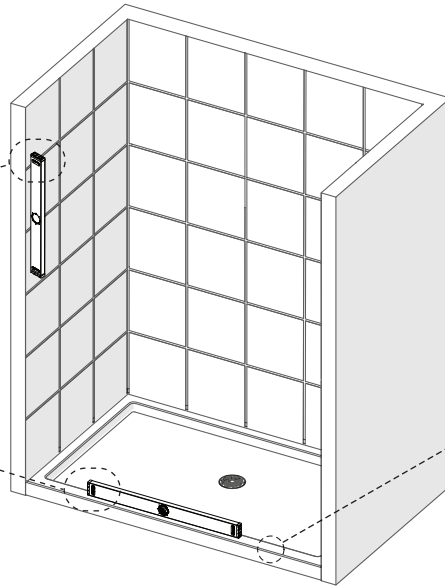
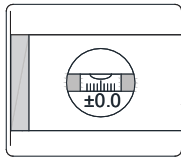
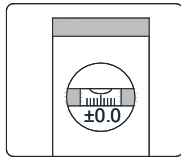


Professional Installation recommended

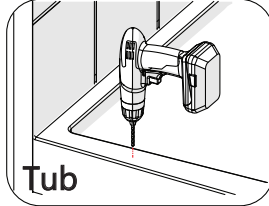
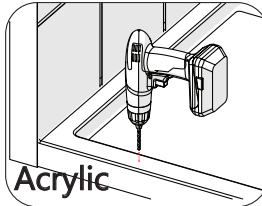
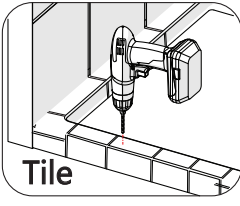
Model Specific Preparation



REQUIRED:

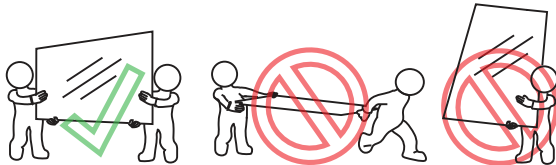


NOTE

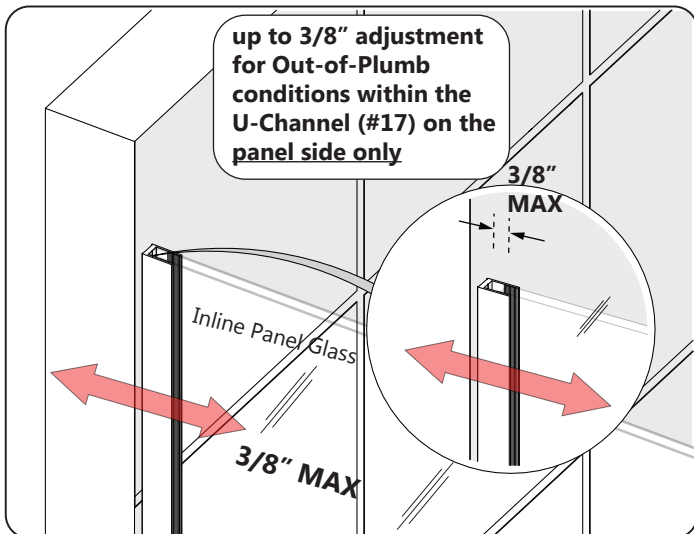


Contact the manufacturer of the base, tub or threshold material with any questions regarding the drilling of holes into their product.

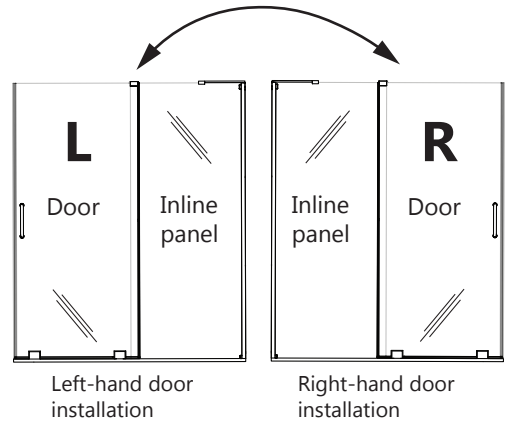
This manual will describe the shower/tub door installation using the Reversible L-Bar™ in the left-handed orientation (as shown above). To reverse the L-Bar™, see the instructions starting on Page 23.



This door recommends professional installation. Two installers recommended.



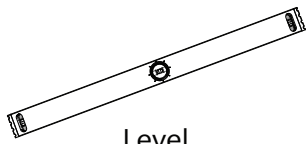
Left-hand Inline Panel Glass installation shown as example.



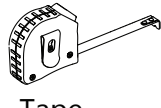
NOTE

This model is reversible for Left or Right-hand door installation. The right-hand door installation is used as an example throughout this manual. For a Left-hand door installation, simply reverse the orientation of the steps shown and begin on the opposite wall.

Tools



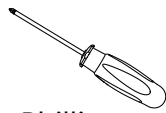
Level



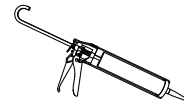
Tape Measure



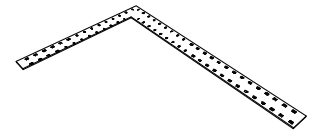
Pencil



Phillips Screwdriver



100% Silicone



Carpenter's Square



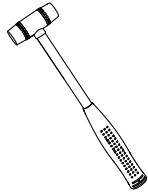
Drill Bit
Ø5/16"
(8mm)



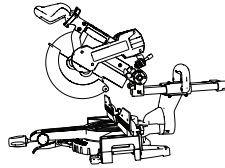
Drill Bit
Ø3/16"
(4mm)



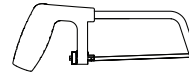
Drill Bit
Ø1/8"
(3mm)



Soft Head Hammer



Mitre Saw



Hacksaw



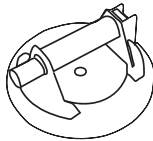
Screw Gun/Driver



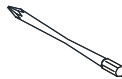
Drill



Razor Knife



Professional-grade
Glass suction cup



Extender Driver Bit



Safety Glasses



Work Gloves



Measure the finished opening before proceeding with the installation to be sure that the correct model size has been ordered.



Prior to installation, cover the shower/tub drain with tape to prevent losing screws or small parts.



To prevent stripping the screw heads, set screw gun clutch to a low setting when installing screws and bolts.

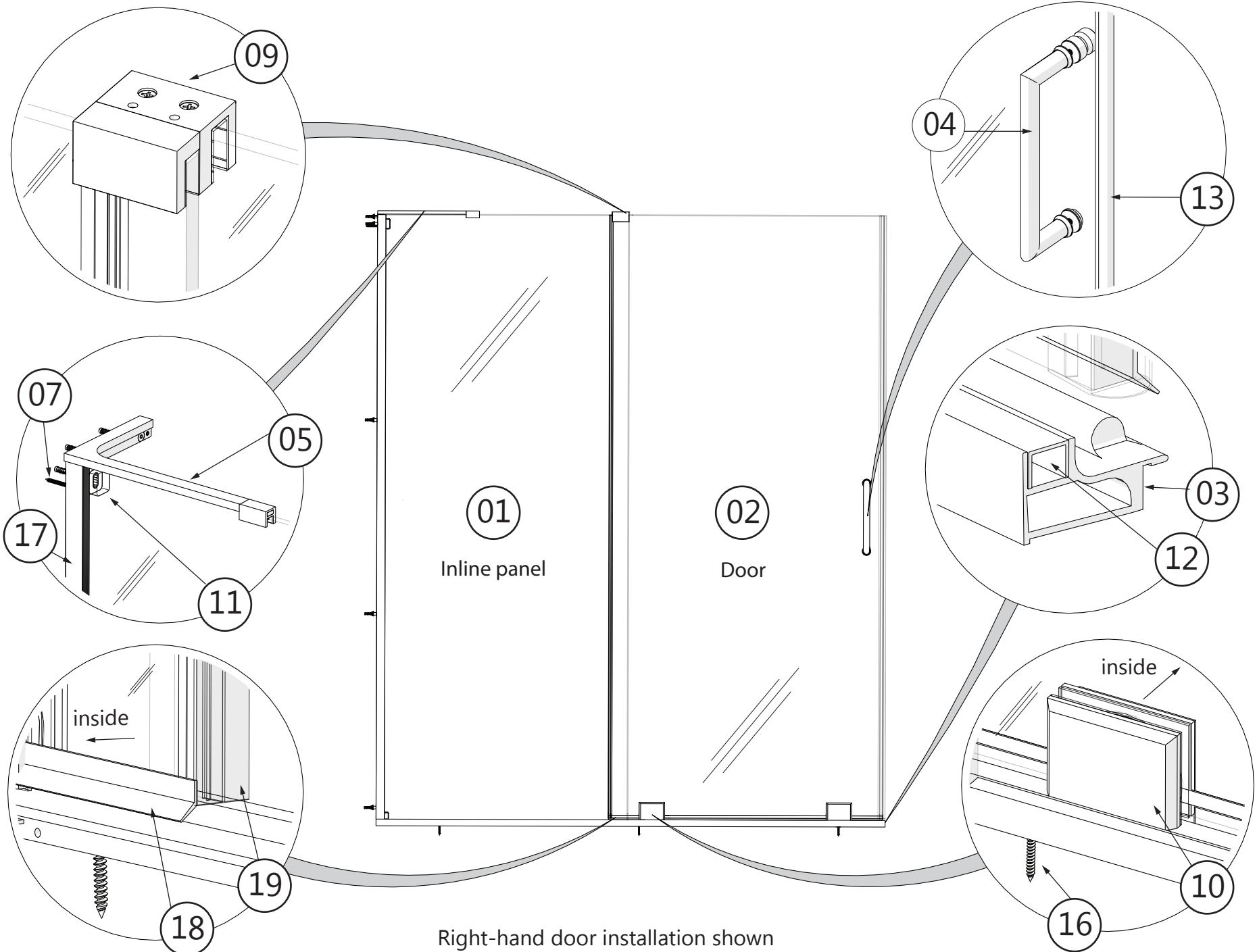


Unpack your unit carefully and inspect it. Lay it out and identify all parts using the **Detailed Diagram** on **page 5** and parts list in this manual as a reference. Before discarding the carton, check for small hardware bags that may have fallen to the bottom of the box. If any parts are damaged or missing, please contact DreamLine® for replacement. The shipping boxes may contain extra parts not used in your model configuration.



Retain these installation instructions for future reference.

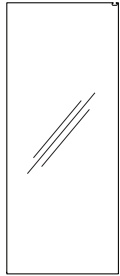
Detailed Diagram of Shower/Tub Door Components



Right-hand door installation shown

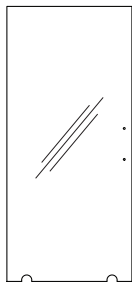
Parts List

01



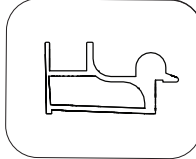
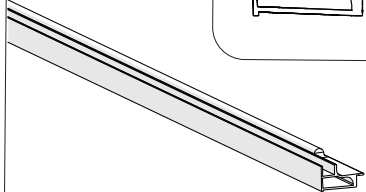
Stationary Panel Glass x1

02



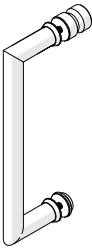
Door Glass x1

03



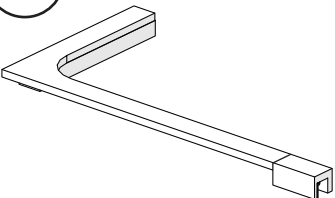
Bottom Guide Rail x1

04



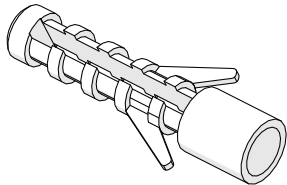
Handle x1

05



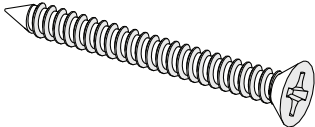
Reversible L-Bar™ x1

06



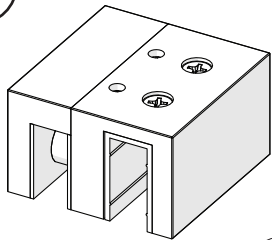
5/16" (8mm) Wall Anchor x9

07



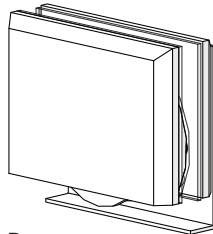
ST4.2 x 40mm Countersunk Screw x6

09



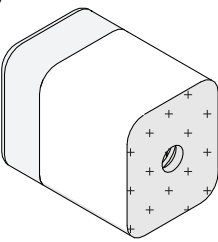
Guide Block x1

10



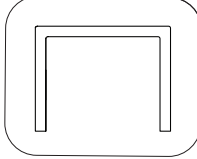
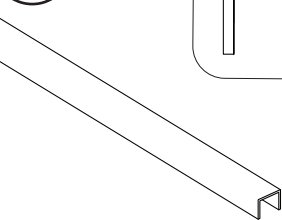
Bottom Roller Assembly x2

11



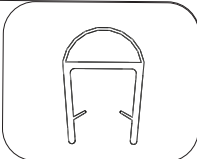
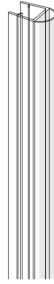
SafeStop™ Bumper x2

12



Bottom Channel Insert x1

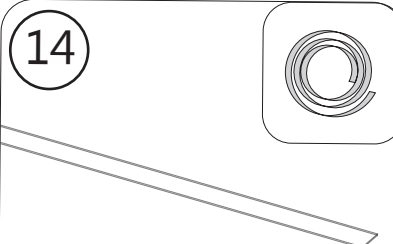
13



Bulb Vinyl Seal x1

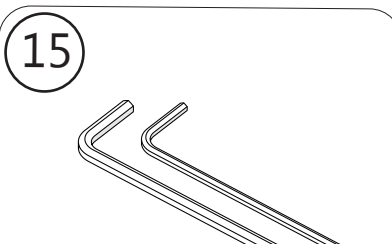
Parts List

14



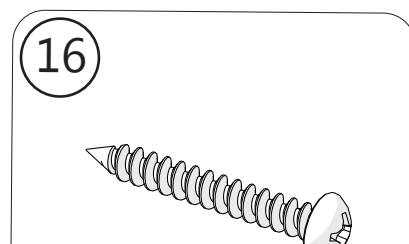
PVC Glass Spacer 0.5mm
(x 36" roll) x1

15



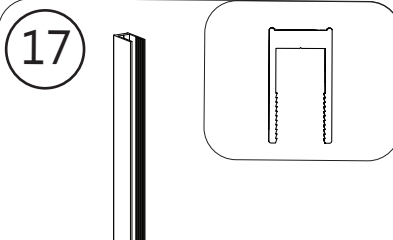
Allen Wrench
(2.5, 3 mm) x1ea

16



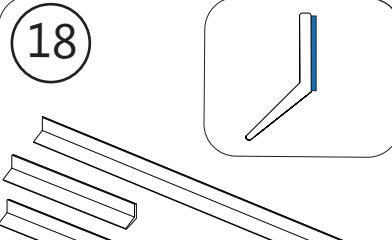
ST4.0 x 30mm
Pan Head Screw x3

17



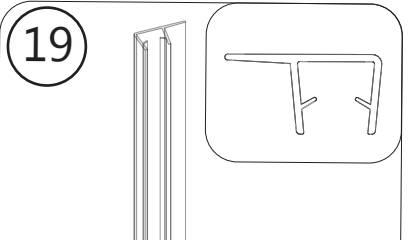
U-Channel 1" Aluminum x1

18



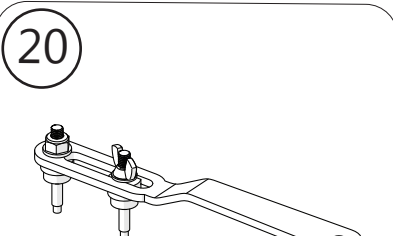
Deflector Vinyl
(with VHB tape) x3

19



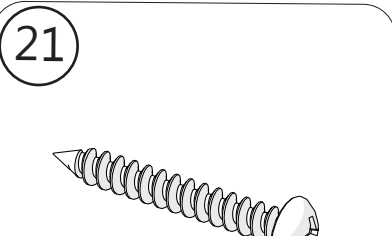
Vertical Vinyl Strip x1

20



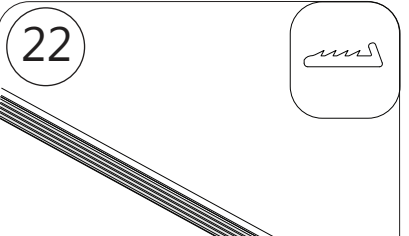
Roller Adjustment Tool x1

21



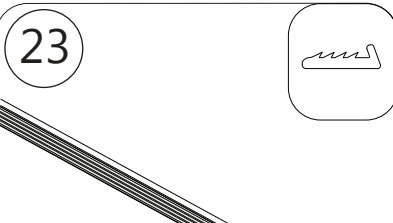
ST4.0 x 40mm
Truss Head Screw x3

22



Vertical Pinch Vinyl
70" x1

23



Bottom Pinch Vinyl
23.5" x1

1

Installation Steps

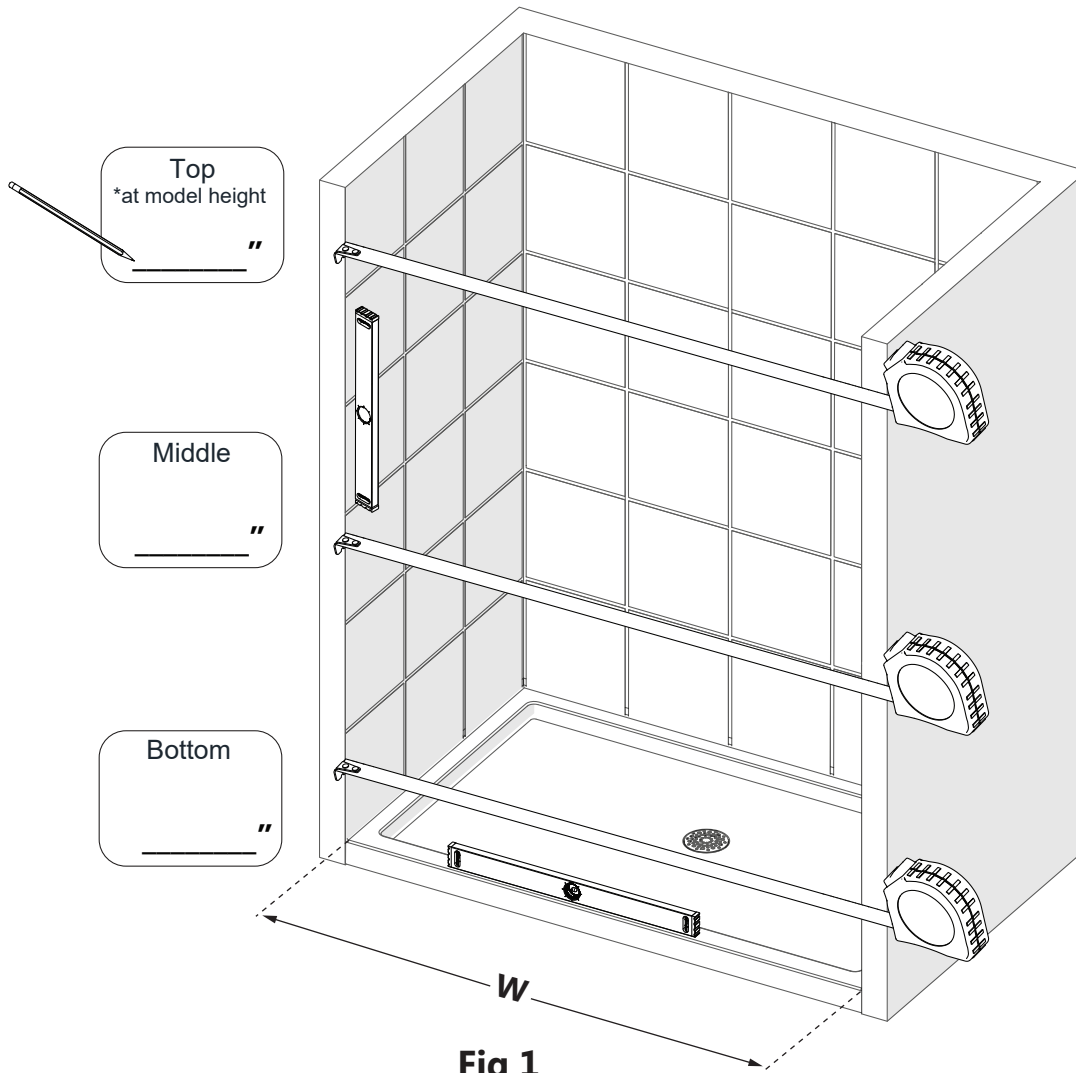


Fig 1

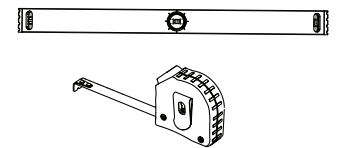


NOTE This model will provide up to 3/8" of adjustment for out-of-plumb conditions within the **U-Channel (#17)** on the panel side only.



NOTE Decide on the handing of the shower door based on your bathroom configuration. The right-hand door installation will be shown as an example throughout this manual.

Tools Needed

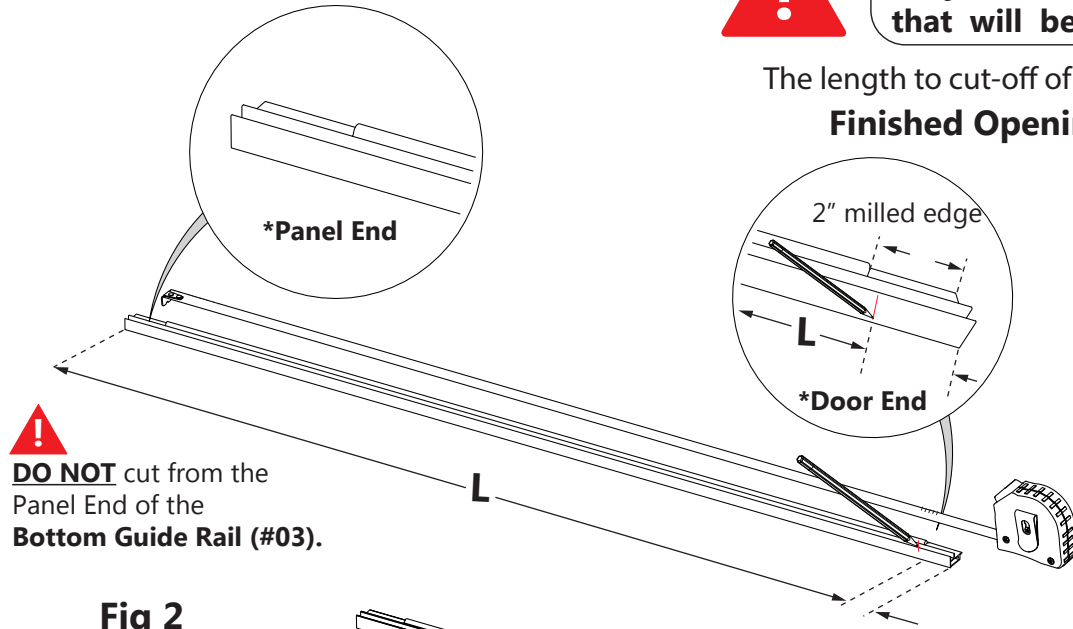


2



After determining the handing of the installation: Only cut from the end of the Bottom Guide Rail (#03) that will be installed on the door side of the opening.

The length to cut-off of the door side of the **Bottom Guide Rail (#03)** will be **(L): Finished Opening (W) (-) 1/16" = Finished Cut Length (L)**

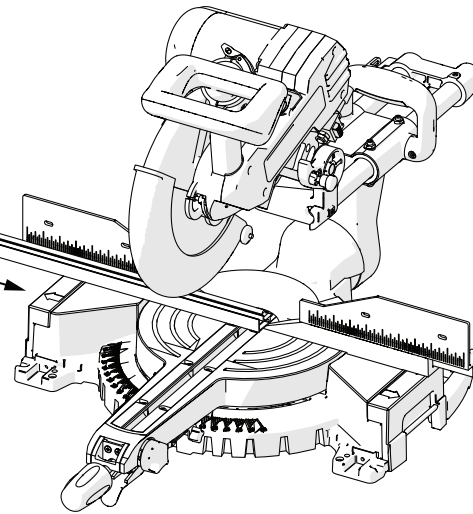
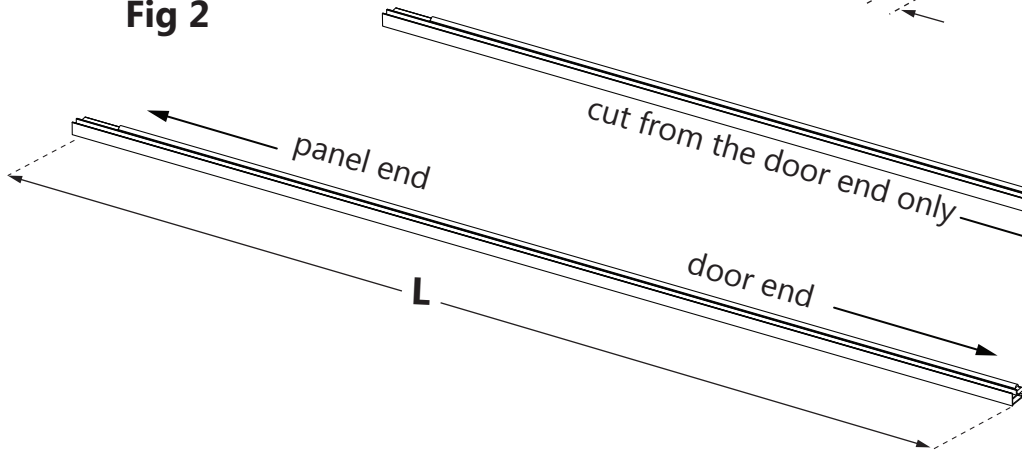


DO NOT cut from the Panel End of the Bottom Guide Rail (#03).

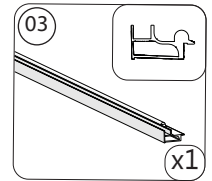
*In this example, the **Bottom Guide Rail (#03)** is shown for a right-hand door installation.

Cutting off a portion of the milled edge from the door end of the bottom guide rail is expected.

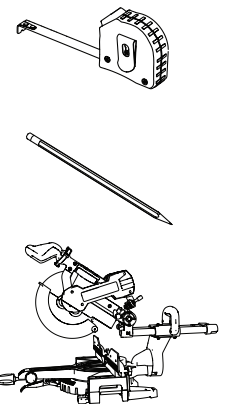
Fig 2



Parts Needed



Tools Needed



Use a metal file to deburr the cut end



The **Bottom Guide Rail (#03)** is made 2" larger than the model size:

If it necessary to drill new attachment holes into the **Bottom Guide Rail (#03)**: Drill a $\varnothing 3/16"$ hole throughout and then a $\varnothing 5/16"$ hole through the top layer only. (Refer to the existing holes in the rail for an example)

3

Positioning and Marking the Bottom Guide Rail

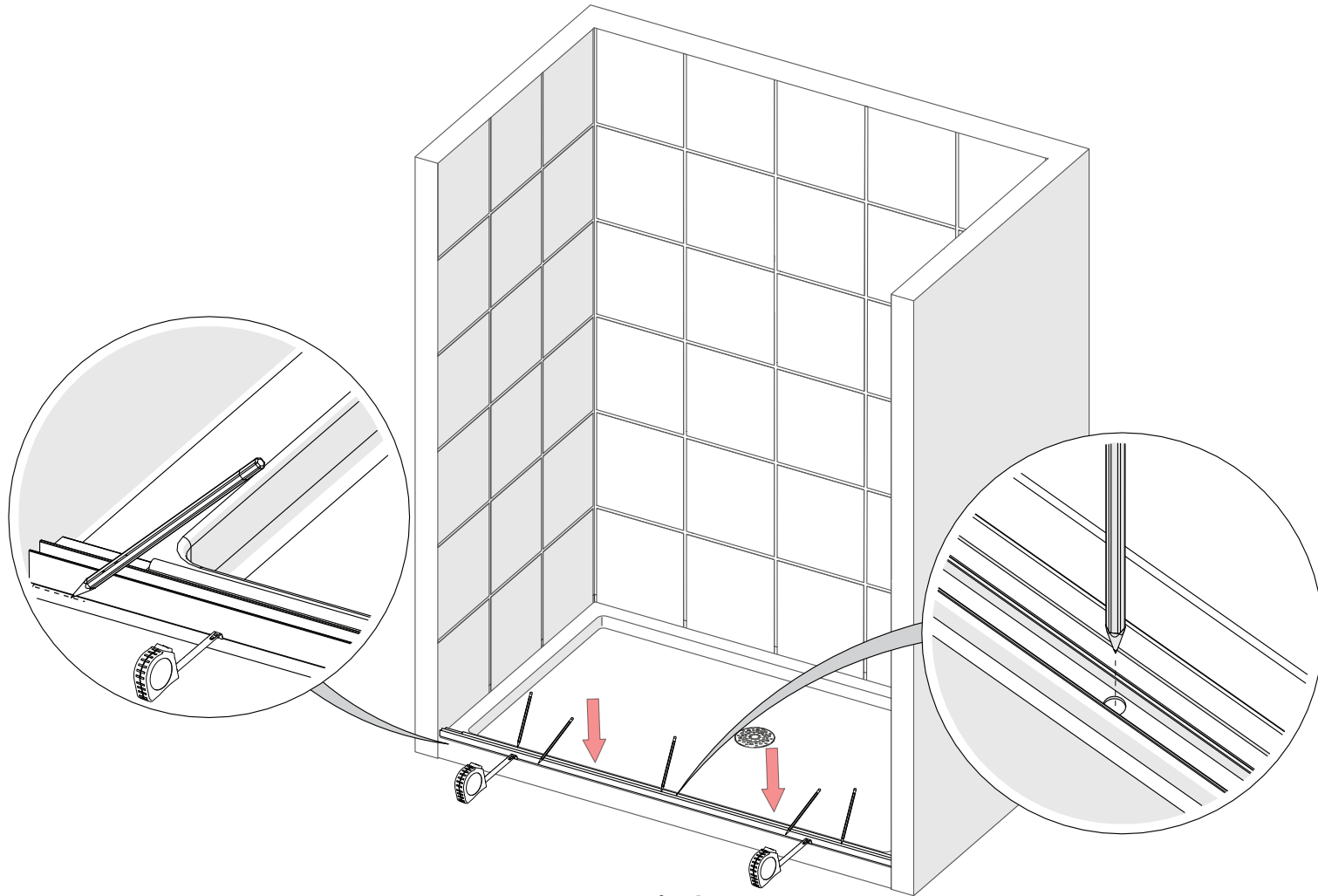
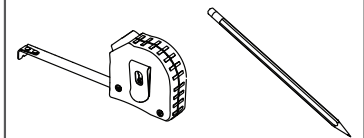


Fig 3



Mark the position of the **Bottom Guide Rail (#03)** on the threshold. Use a tape measure to align the rail parallel with the outside edge of the threshold. Mark the holes for drilling through the predrilled holes in the **Bottom Guide Rail (#03)**.

Tools Needed



4

Installing the Bottom Guide Rail

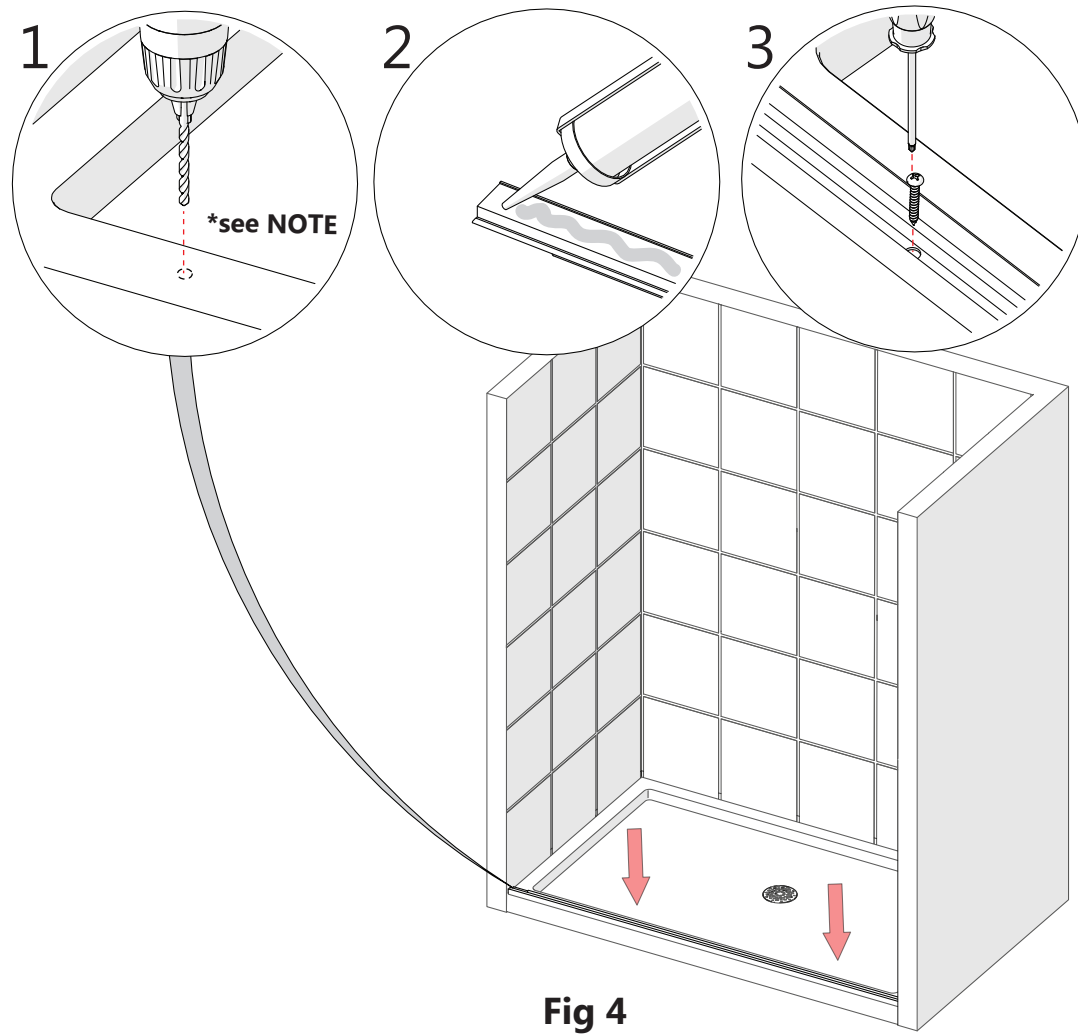


Fig 4

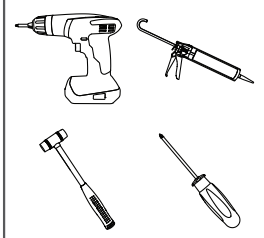
- * For installation into an **Acrylic Threshold**:
drill a **Ø1/8" (3mm)** hole and use the **ST4.0 x 30mm Pan Head Screw (#16)**
- OR**
- * For installation into a **Tile Threshold**:
drill a **Ø3/16" (4mm)** hole up to the stud and use the **ST4.0 x 40mm Pan Head Screw (#21)**

NOTE

Parts Needed

- (16) (x3)
- (21) *see NOTE (x3)

Tools Needed



5

Cutting the UChannel to the Height of the Panel Glass

NOTE

Measure the height of the **Stationary Panel Glass (#01)** for your shower door model. Measure that same length on the **UChannel (#17)**. Mark it and cut it using a chop saw with a blade for cutting metal. **Fig 3**

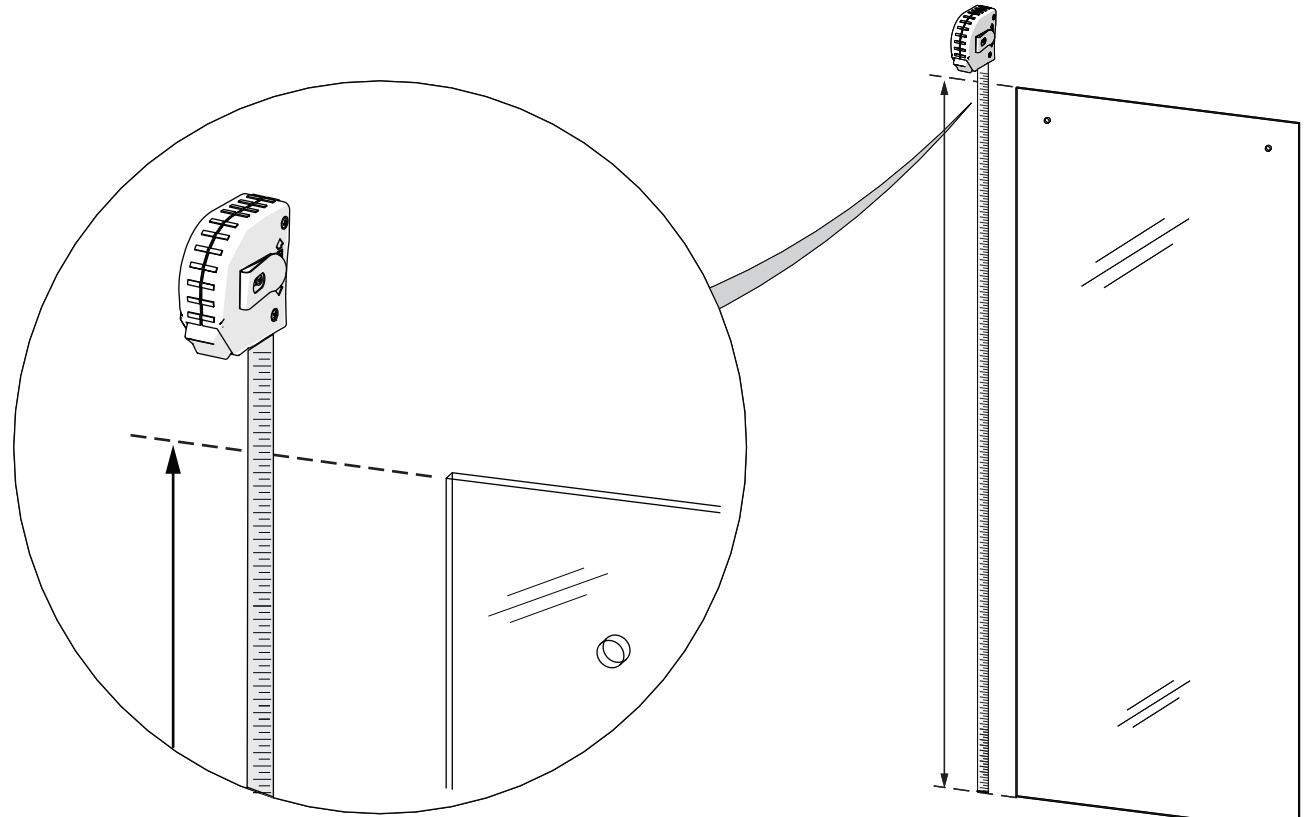
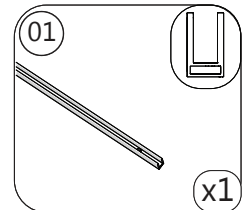
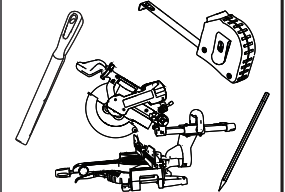


Fig 5

Parts Needed

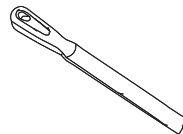


Tools Needed

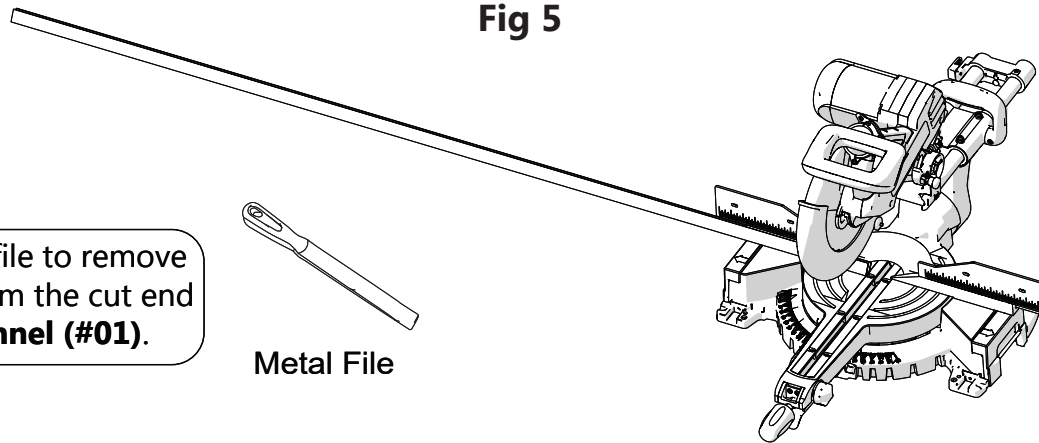


NOTE

Use a metal file to remove any burrs from the cut end of the **UChannel (#01)**.



Metal File



6

Leveling and Marking the UChannel

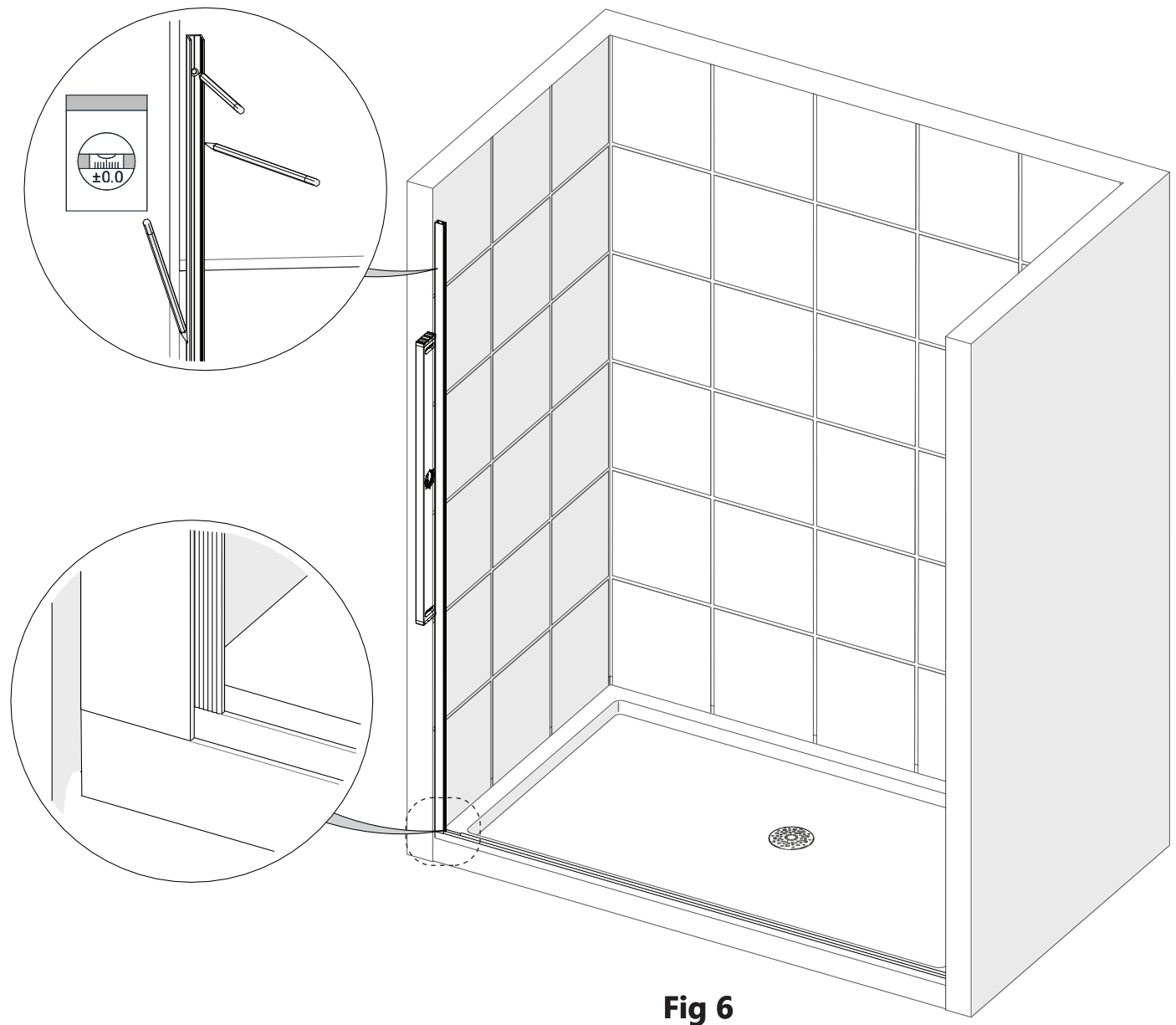
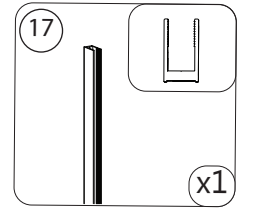


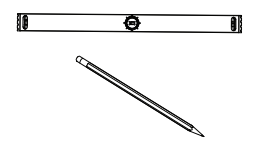
Fig 6

Right-hand door installation shown

Parts Needed



Tools Needed



7

Installing the UChannel

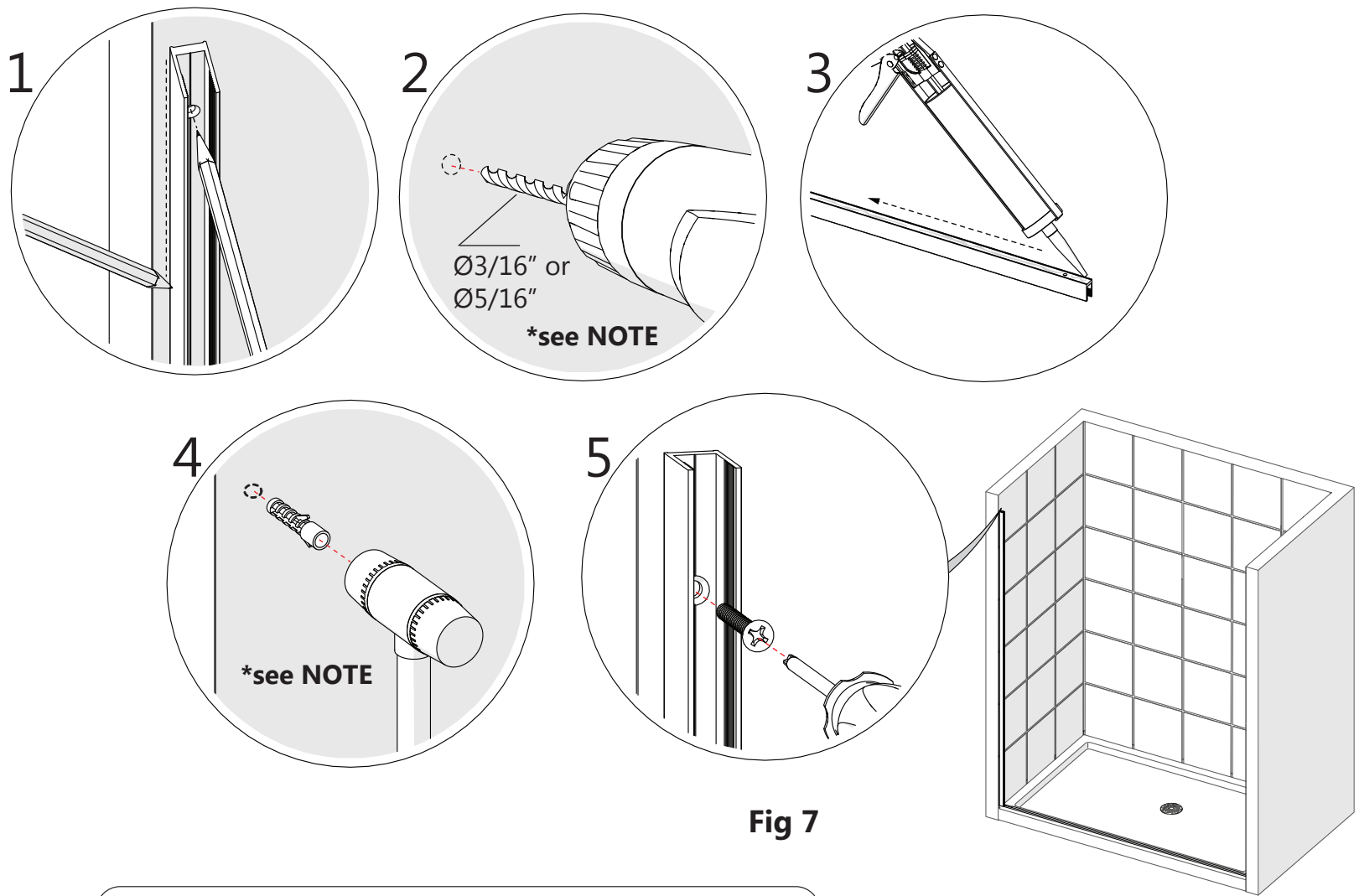
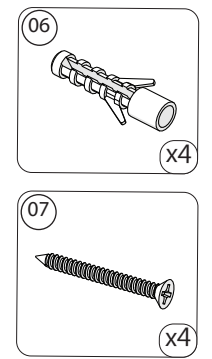
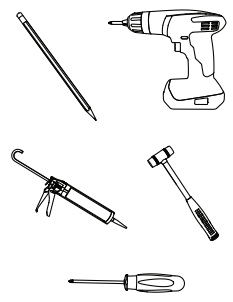


Fig 7

Parts Needed



Tools Needed



NOTE

- **If a stud is present behind the wall:**
drill a Ø3/16" (4mm) hole and use the **ST4.2 x 40mm Countersunk Screws (#07)**
- OR
- **If no stud is present behind the wall:**
drill a Ø5/16" (7mm) hole and insert the **Wall Anchors (#06)** and use the **ST4.2 x 40mm Countersunk Screws (#07)**.

8

SafeStop™ Bumper Installation (Top)

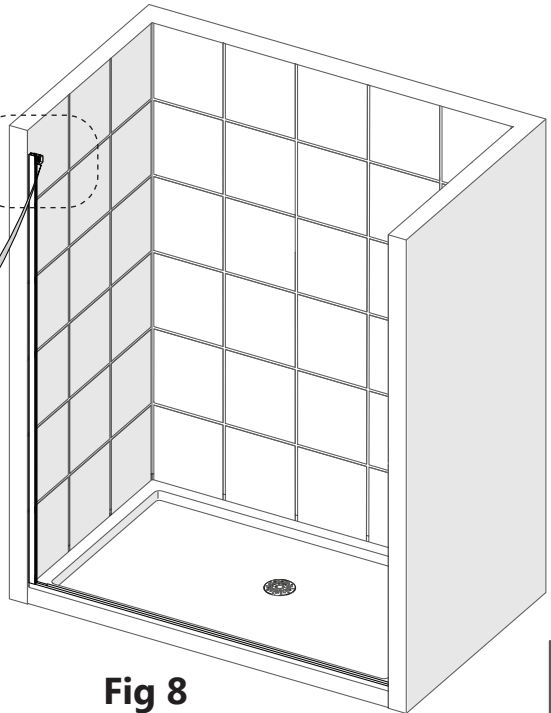
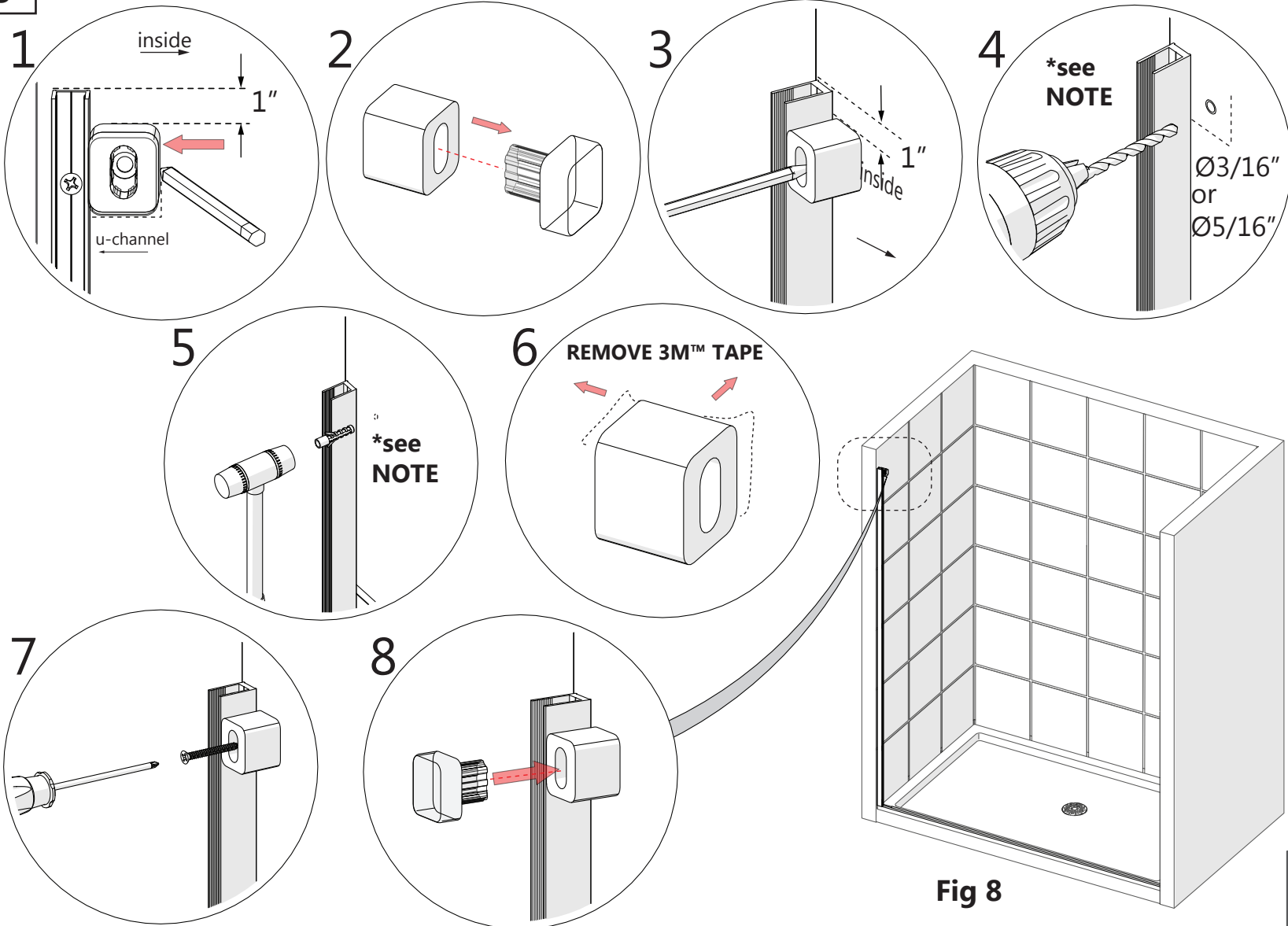
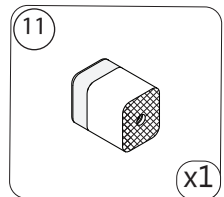
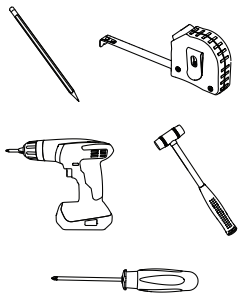


Fig 8

Parts Needed



Tools Needed



NOTE

- **If a stud is present behind the wall:** drill a Ø3/16" (4mm) hole up to the stud and use the ST4.2 x 40mm Countersunk Screw (#07)
- OR
- **If no stud is present behind the wall:** drill a Ø5/16" (7mm) hole and insert the Wall Anchors (#06) and use the ST4.2 x 40mm Countersunk Screw (#07)

TIP

Extender driver bit recommended for screw installation.

8a

SafeStop™ Bumper Installation (Bottom)

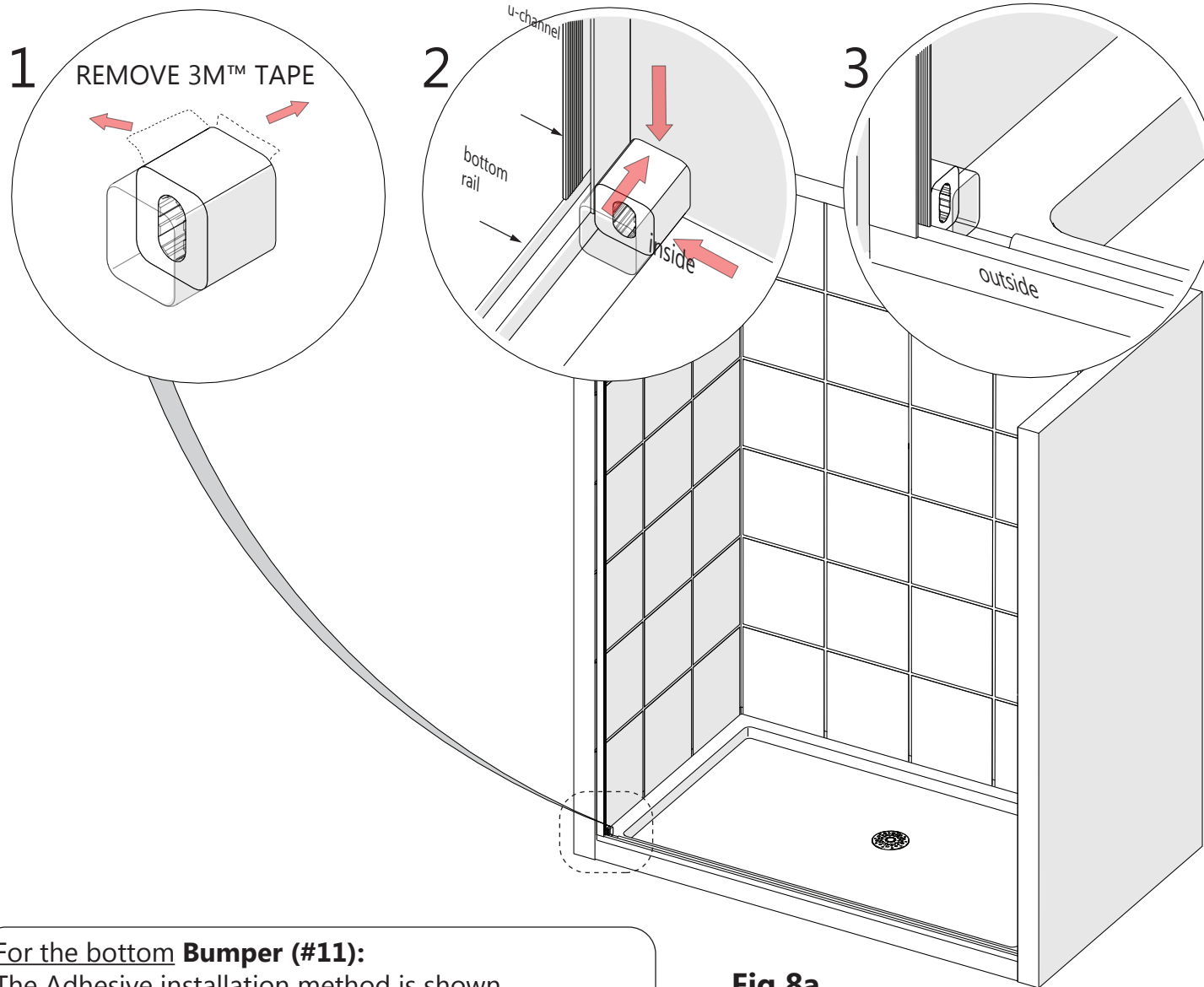
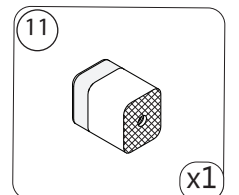


Fig 8a



For the bottom **Bumper (#11)**:
The Adhesive installation method is shown.
Attaching the bottom **Bumper** with a screw is optional.
Follow the procedure shown in **Step 7** for installing the
bottom **Bumper (#11)** with the **ST4.2 x 40mm**
Countersunk Screw (#07).

Parts Needed



9

Installing Setting Blocks

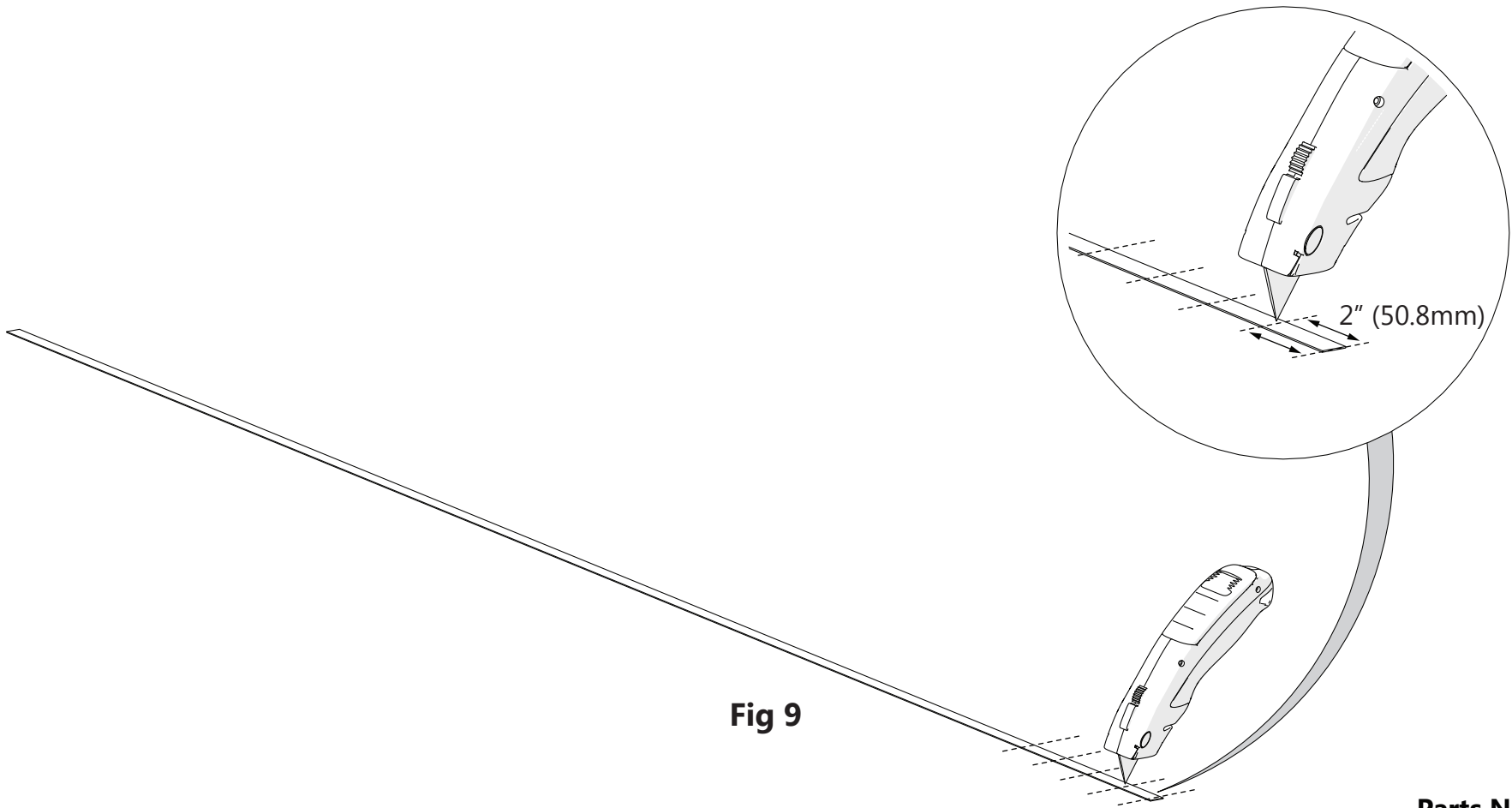
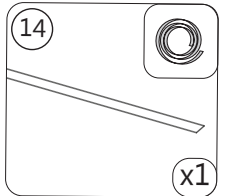


Fig 9

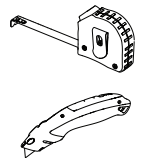


**Cut several 2" - 3" pieces of the PVC Glass Spacer 0.5mm (#14).
DO NOT install one long continuous piece into the Bottom Guide Rail (#03).**

Parts Needed



Tools Needed



10



Do not apply silicone in the UChannel or on the Bottom Guide Rail. The panel glass will be secured with a pinch vinyl in step 12 on Page 20.

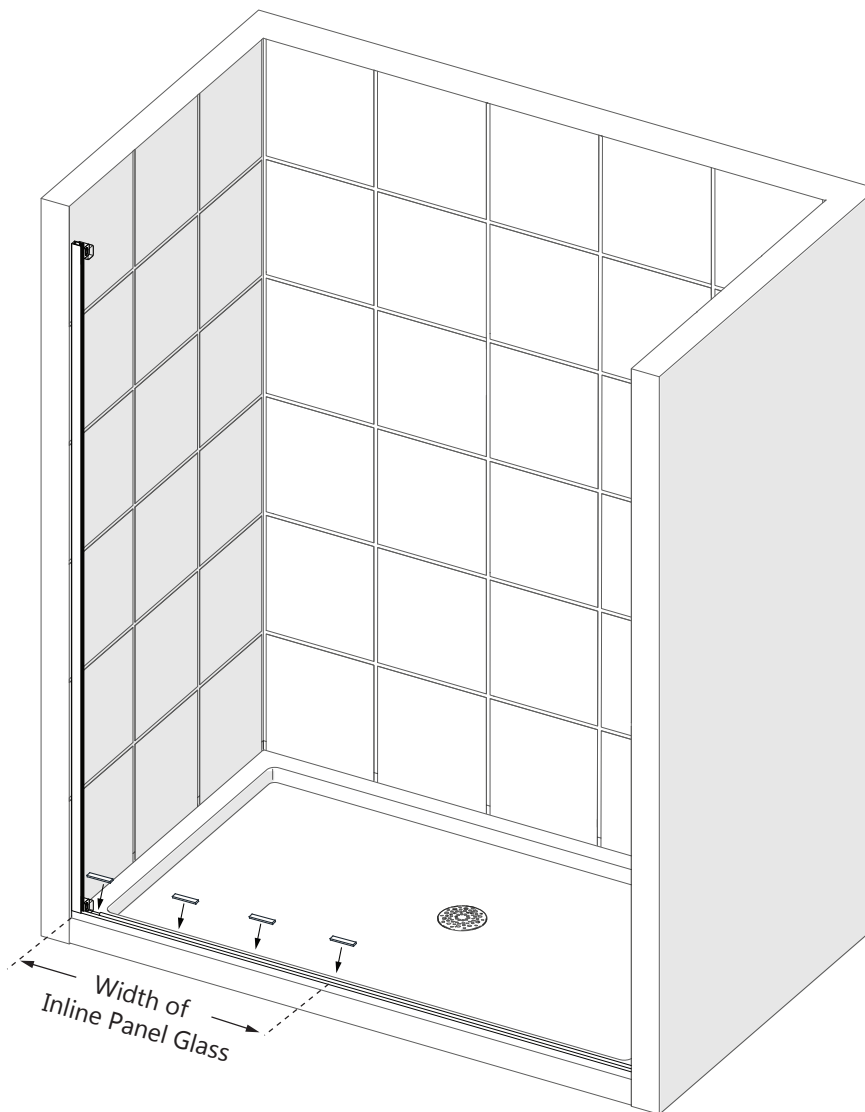


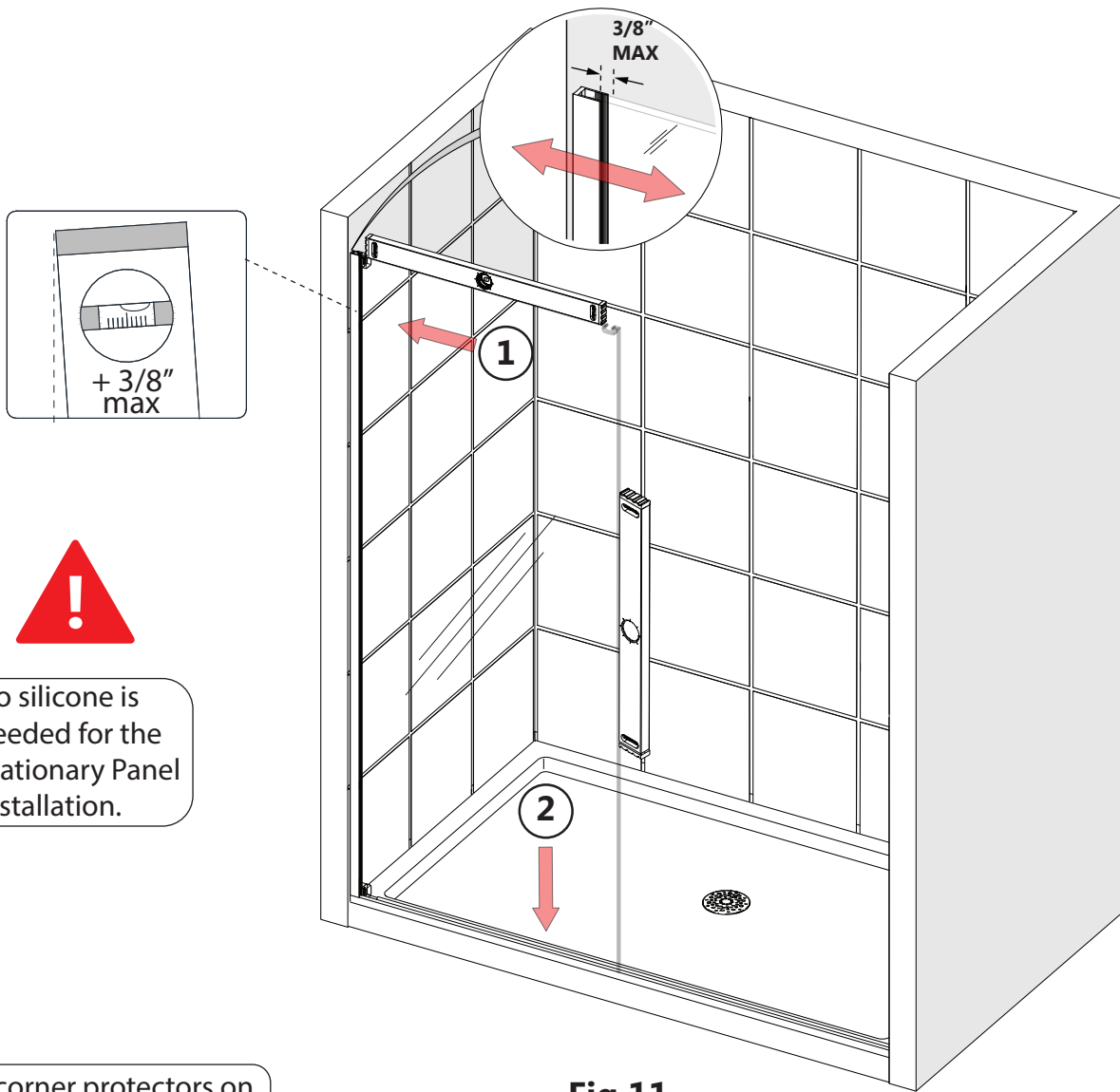
Fig 10



Save the remaining 2" pieces of the **PVC Glass Spacer 0.5mm (#14)** for later use.

11

Installing the Stationary Panel



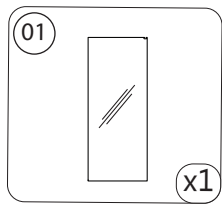
!
No silicone is needed for the Stationary Panel installation.

NOTE Leave the corner protectors on the glass until it is necessary to remove them.

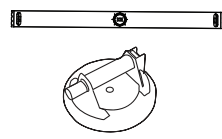
NOTE The panel-side **U-Channel (#17)** will allow for up to 3/8" of out-of-plumb adjustment. Use a level to confirm that the **Inline Panel Glass (#01)** is installed plumb and level.

Fig 11

Parts Needed

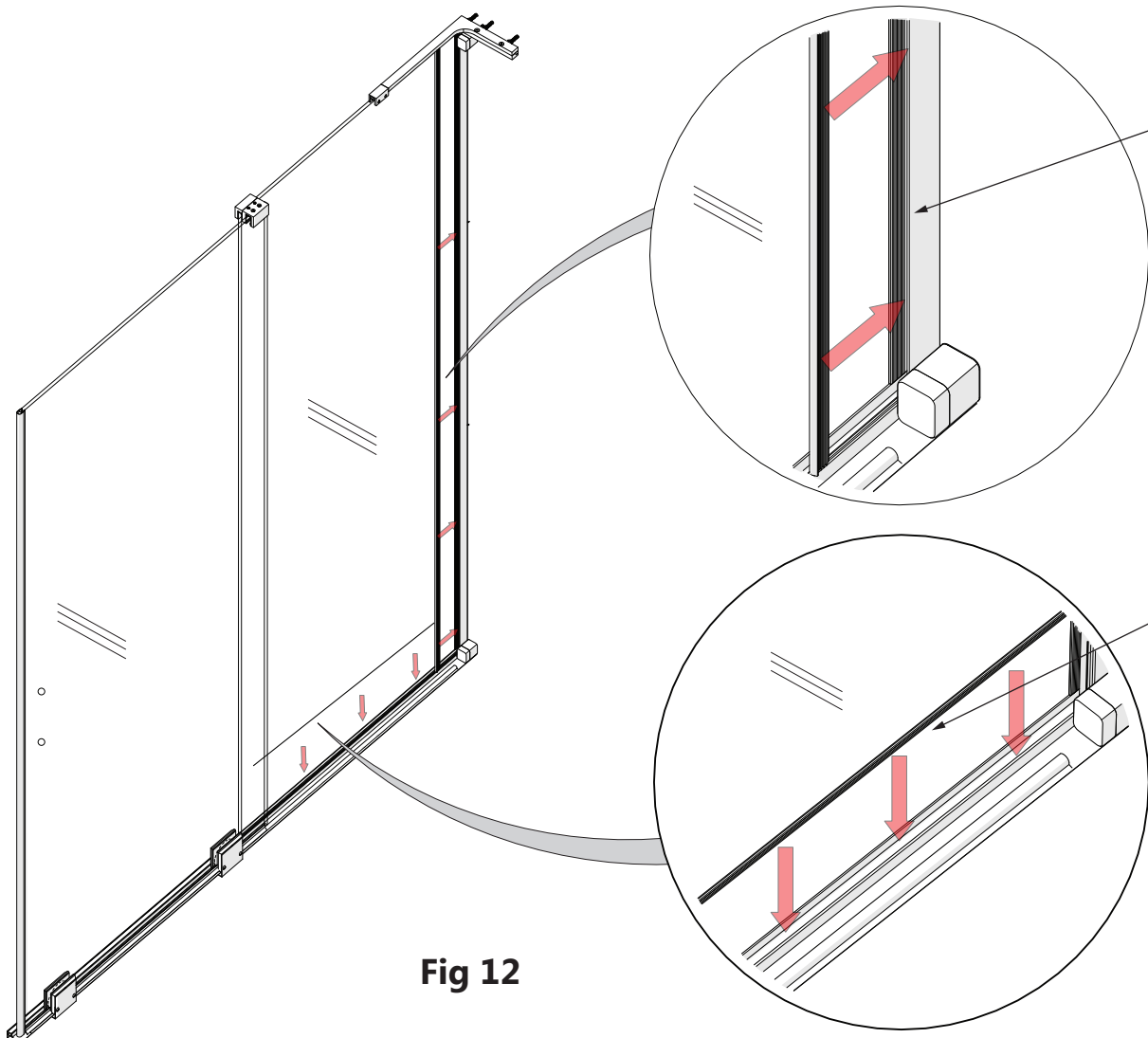


Tools Needed



12

Installing the Pinch Vinyls Inside the Panel Glass



The **Vertical Pinch Vinyl** is installed on the inside of the shower between the **Panel Glass** and the **UChannel**.

The **Bottom Pinch Vinyl** is installed on the inside of the shower between the **Panel Glass** and the **Bottom Guide Rail**.

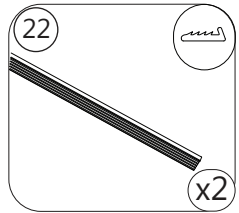
NOTE Shower opening removed for clarity

Fig 12



Start the **Vertical Pinch Vinyl** at the bottom of the UChannel. Insert the narrow edge of the vinyl between the Panel Glass and the UChannel, working upward. Trim any excess.

Parts Needed



13

Reversible L-Shaped Bracket Instructions for reversing Bracket direction (If needed)

Step 1

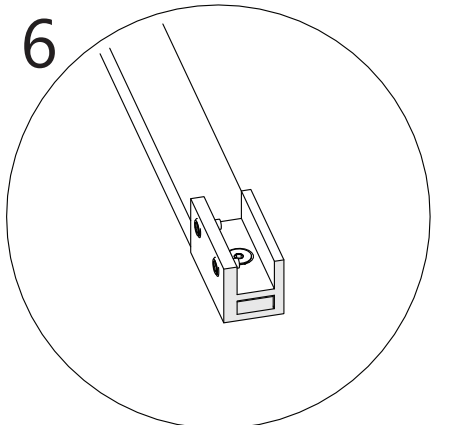
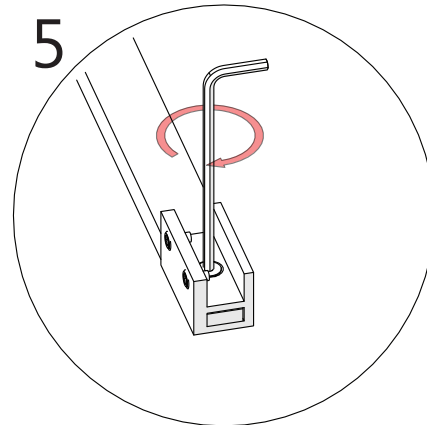
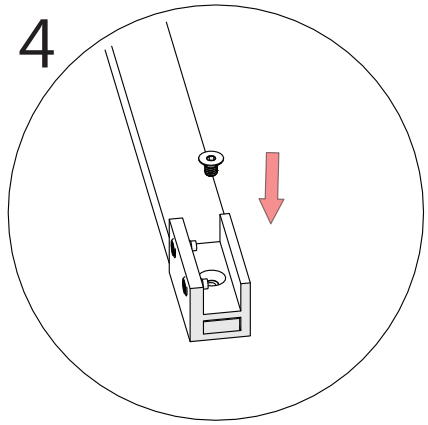
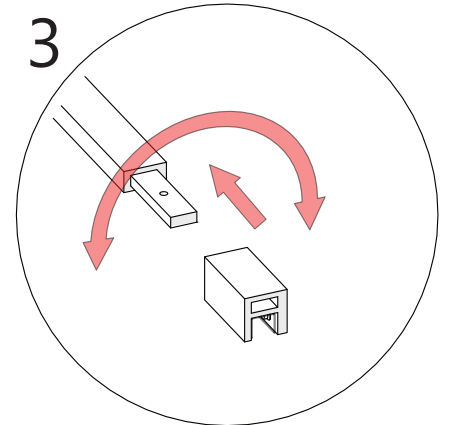
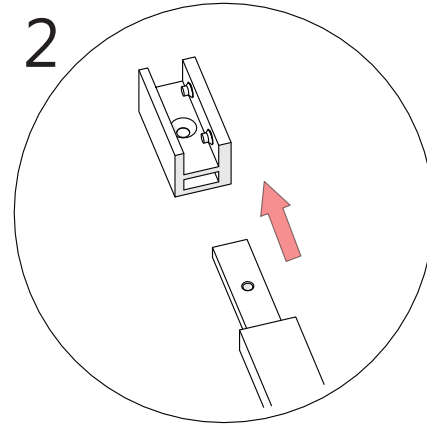
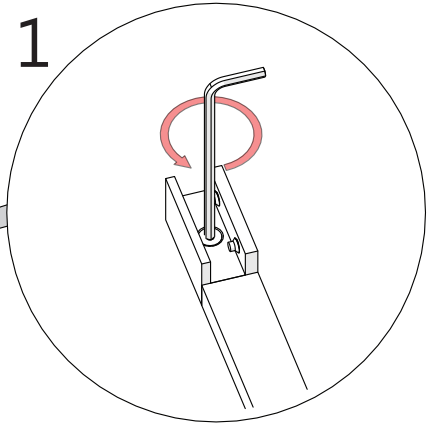
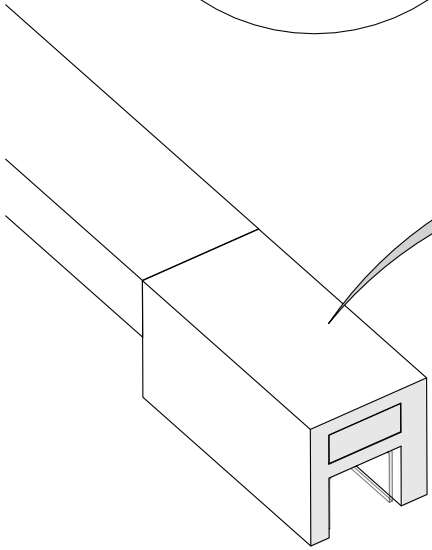
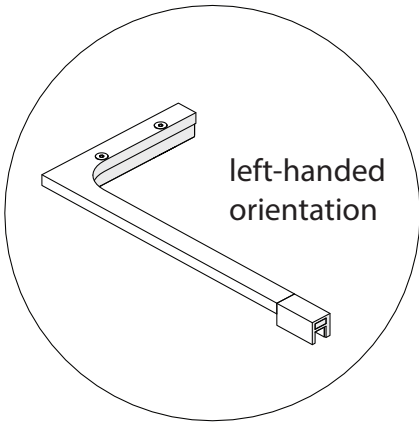


Fig 13

Tools Needed

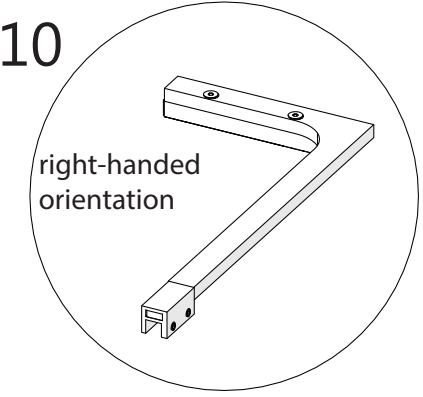
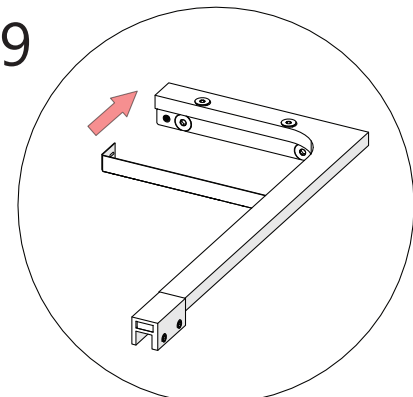
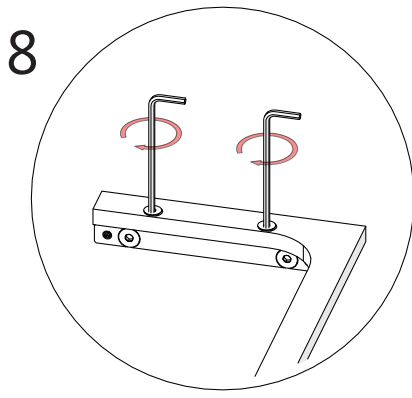
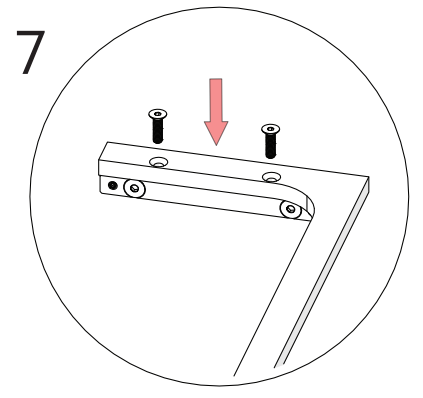
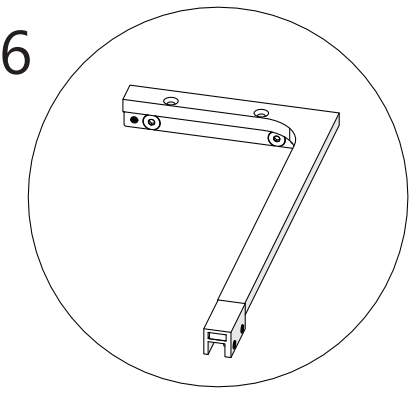
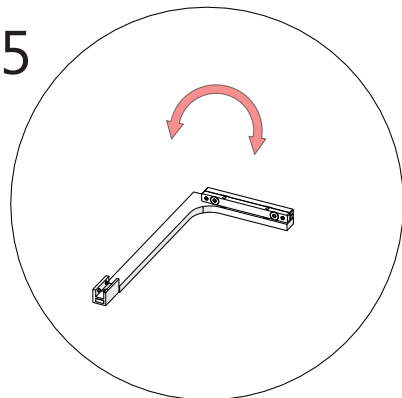
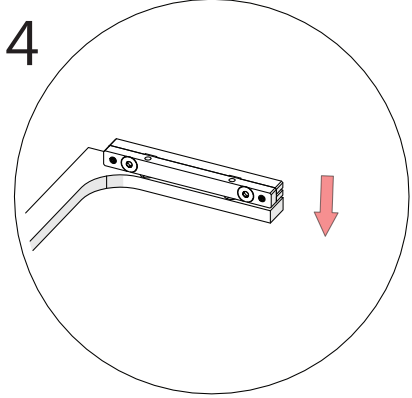
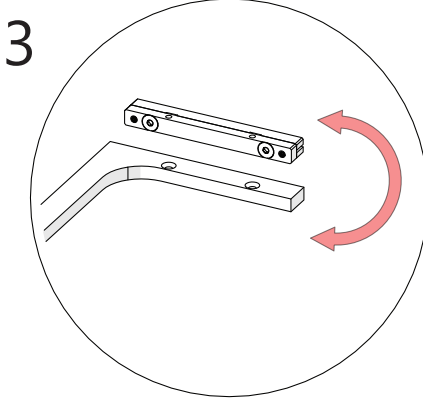
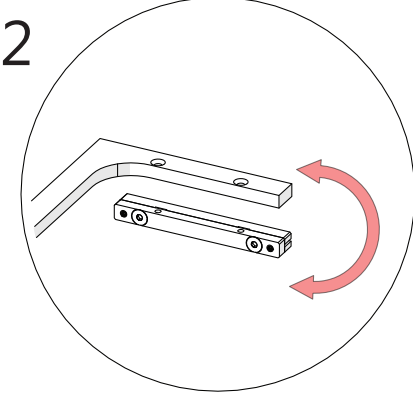
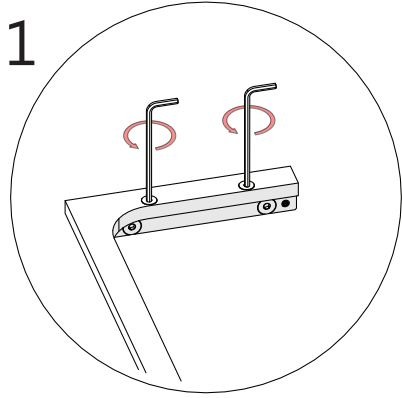


left-to-right handed orientation shown

13a

Reversible L-Shaped Bracket Instructions for reversing Bracket direction (If needed)

Step 2



left-to-right handed orientation shown

Fig 13a

Tools Needed

14

Installing the Reversible L-Shaped Bracket (1 of 3)

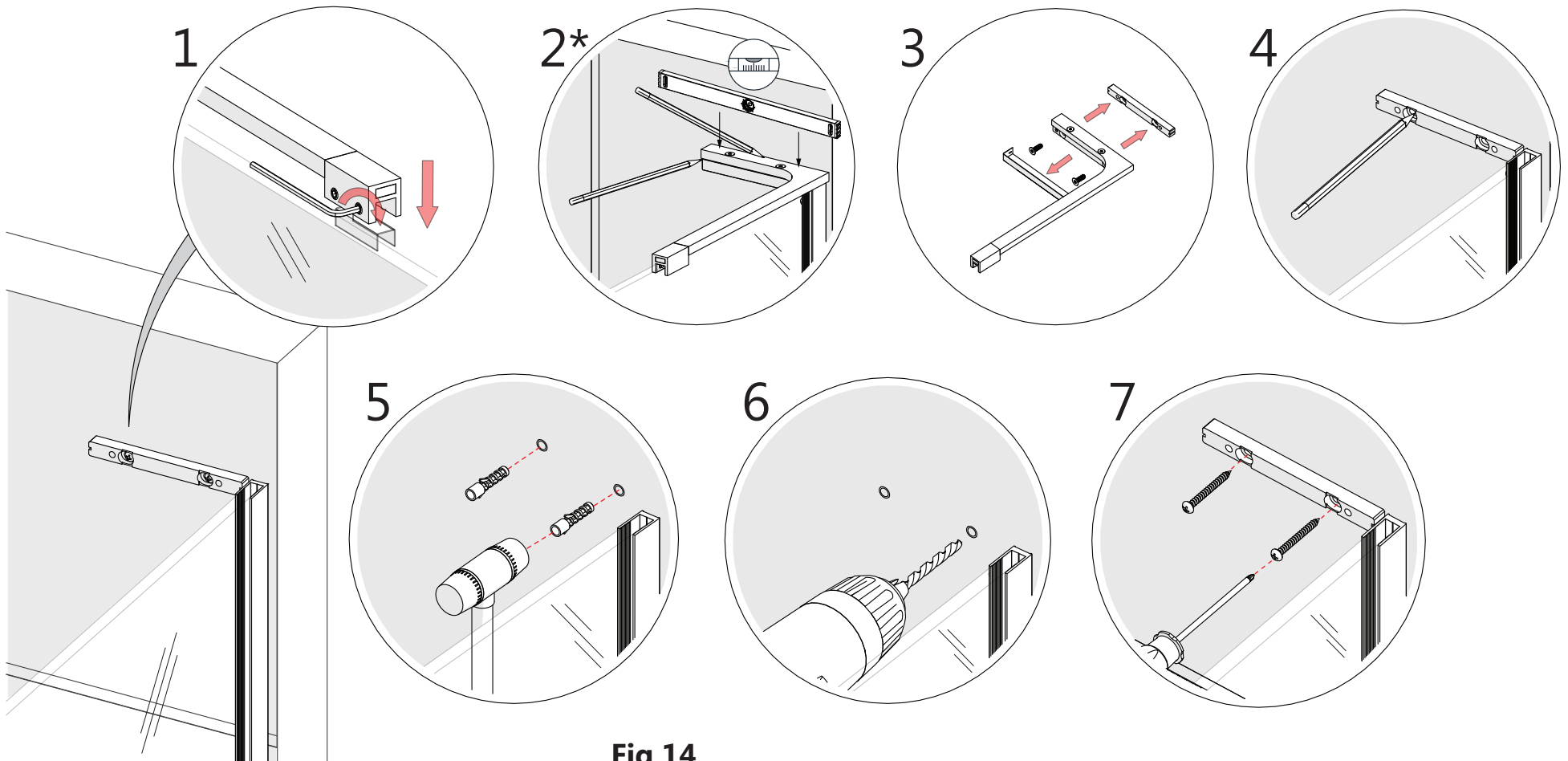


Fig 14

right-handed installation shown

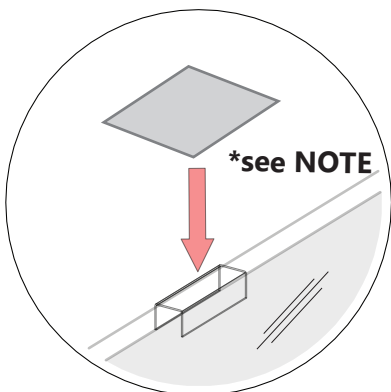
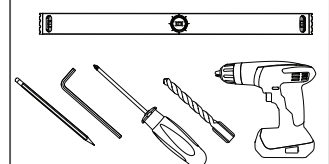


*Leave the decorative cover attached when marking the **L-Shaped Bar** position on the wall to allow space (1/16"-1/8") to re-attach the cover plate after installation.



*The **0.5mm PVC Spacer (#30.4)** for the **L-Shaped Bracket Glass Holder (#30.11)** is shipped flat and this piece must be folded around the top of the **Inline Panel Glass (#11)** during installation.

Tools Needed



15

Installing the Reversible L-Shaped Bracket (2 of 3)

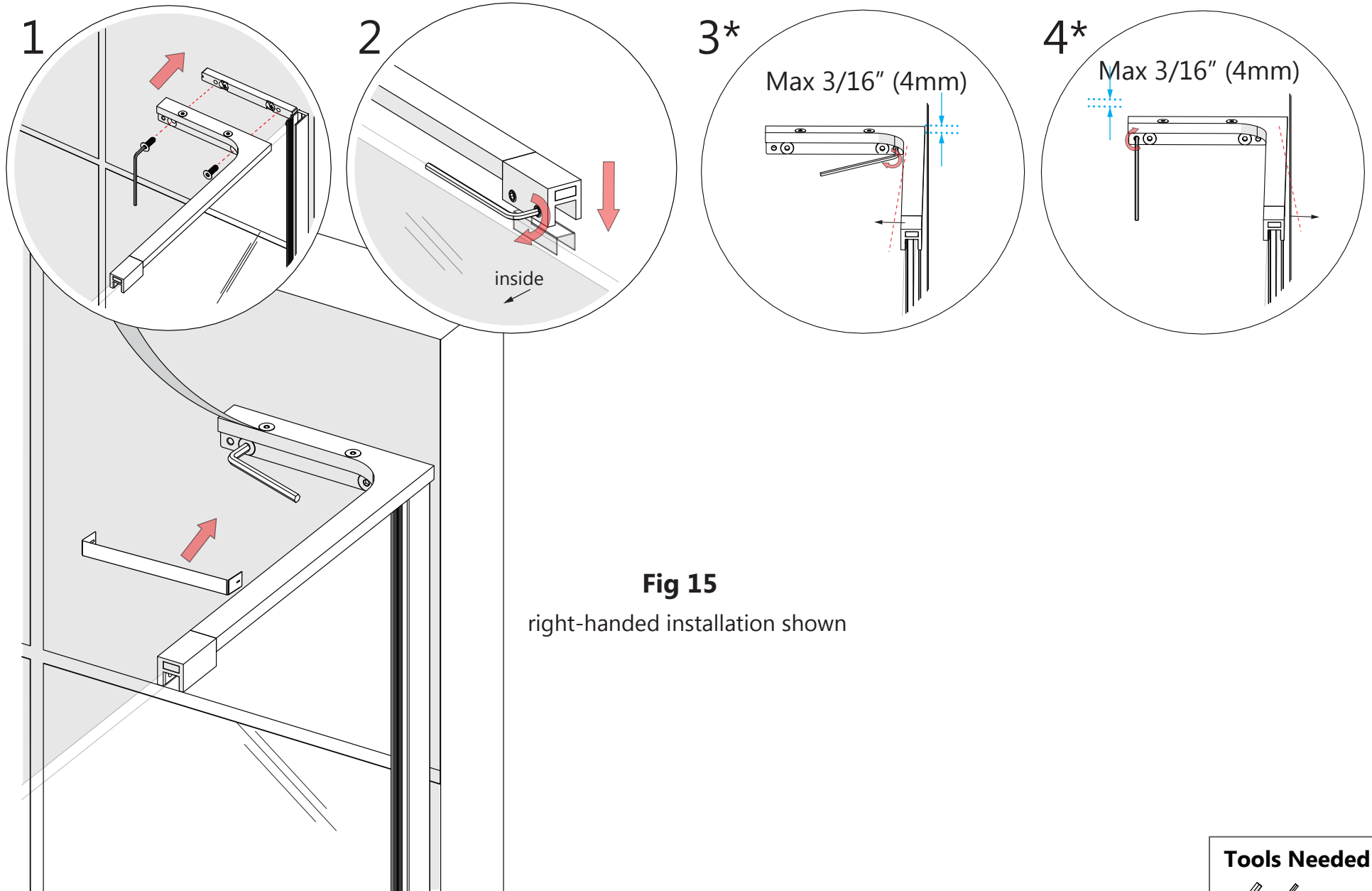


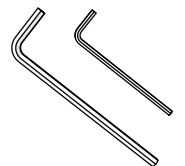
Fig 15

right-handed installation shown

NOTE

* To adjust the angle of the **L-Shaped Bracket**: Loosen the **M5 x 14.5 screws**, rotate the appropriate set screw (See Fig 18.3 and 18.4) to adjust the angle of the **Bracket** (up to 3/16" (4mm)) in the desired direction. Hand tighten the **M5 x 14.5 screws** after adjustment is complete and replace the decorative cover.

Tools Needed



16

Installing the Reversible L-Shaped Bracket (3 of 3)

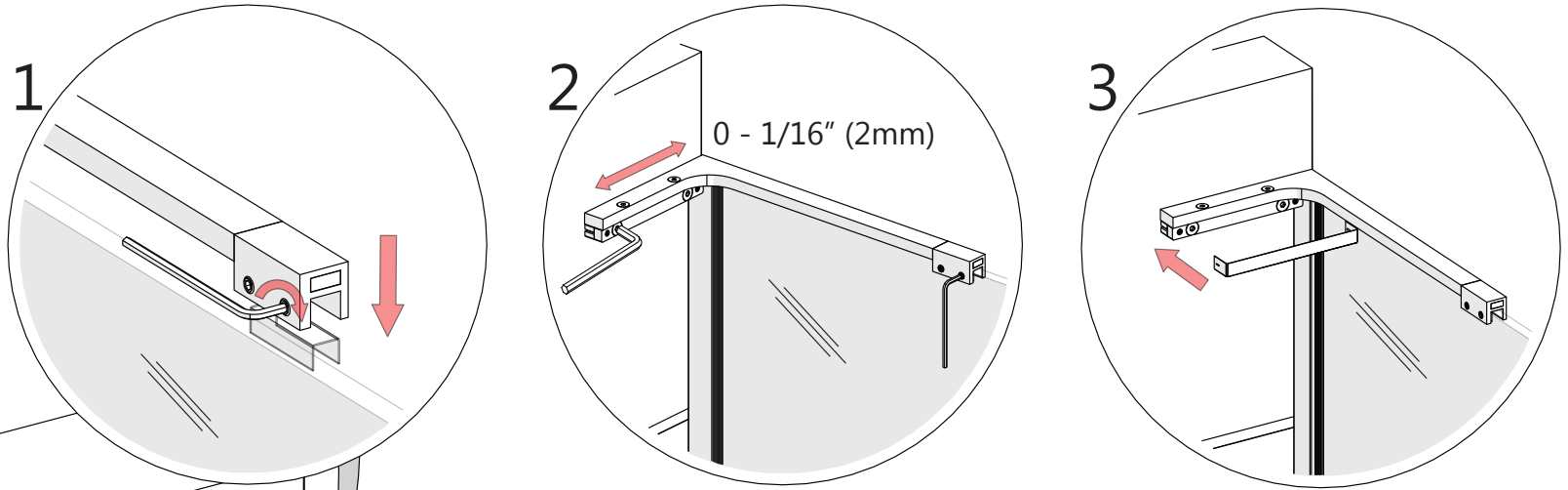
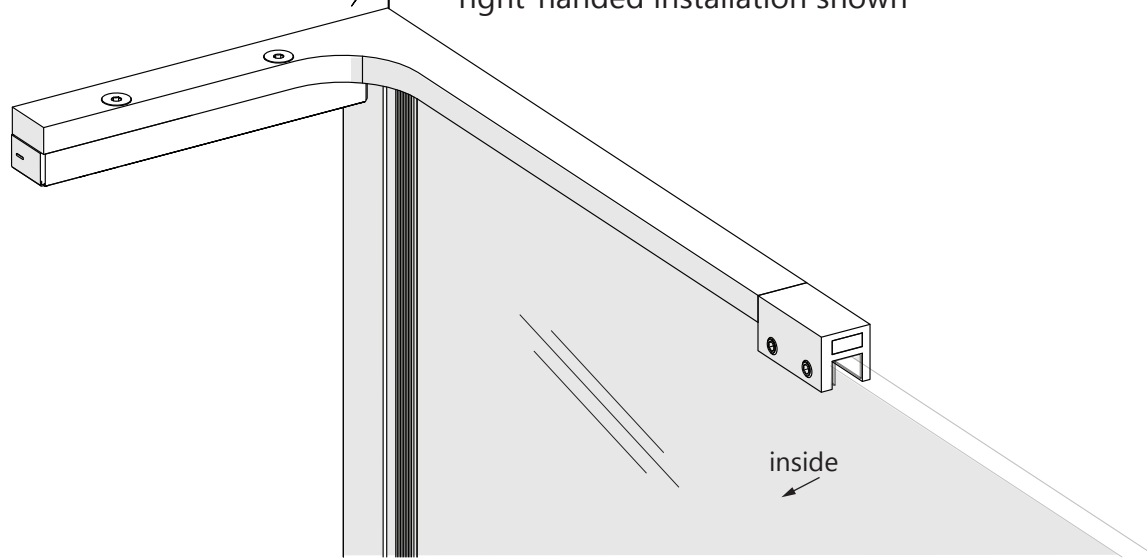
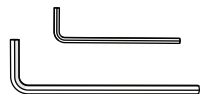


Fig 16

right-handed installation shown



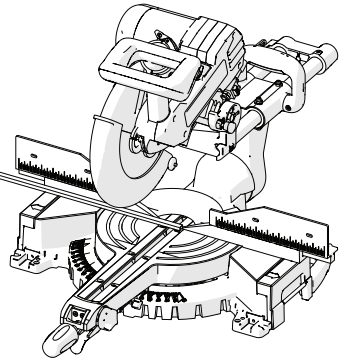
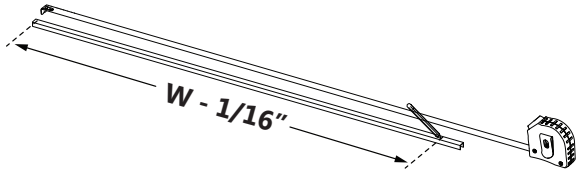
Tools Needed



17

Installing the Bottom Channel Insert

Trim **Bottom Channel Insert (#12)** to:
(W) (-) 1/16"



OR

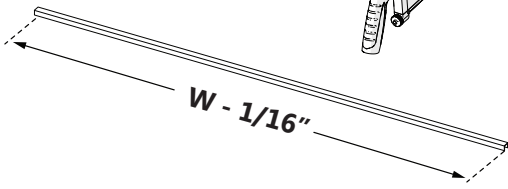
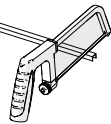
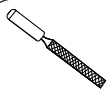


Fig 17a



Use a metal file to deburr the cut end



To prevent glass-to-metal contact, insert a small piece (1/4" +/-) of the leftover **PVC Glass Spacer 0.5mm (#14)** between the end of the **Bottom Channel Insert (#12)** and the **Inline Panel Glass (#01)** as shown in **Fig 16b**.

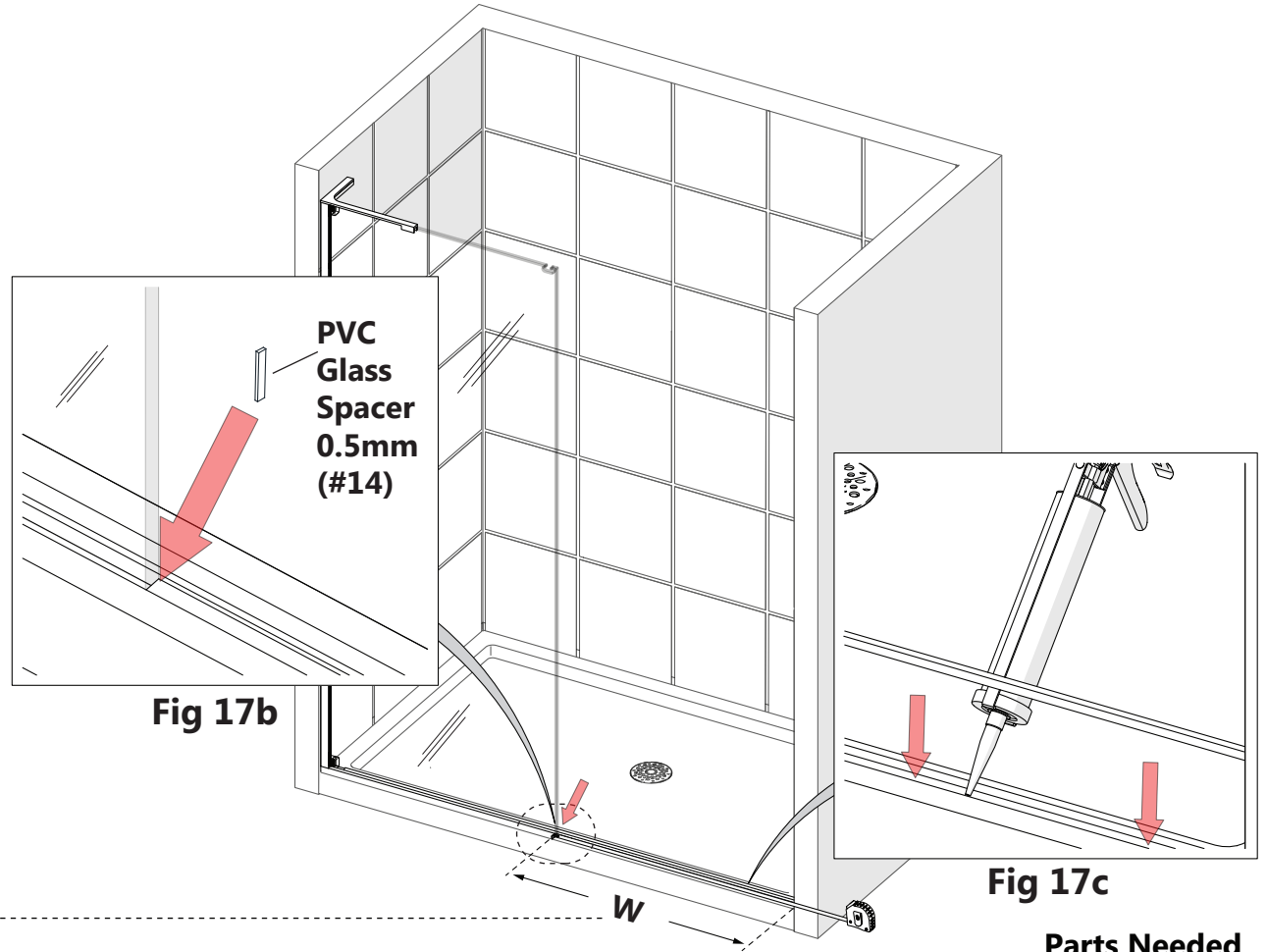
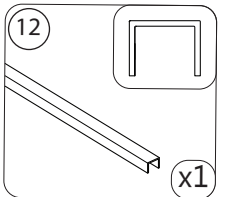


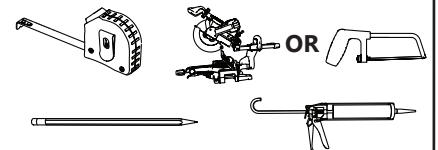
Fig 17b

Fig 17c

Parts Needed



Tools Needed



18

Bottom Roller Assembly Installation

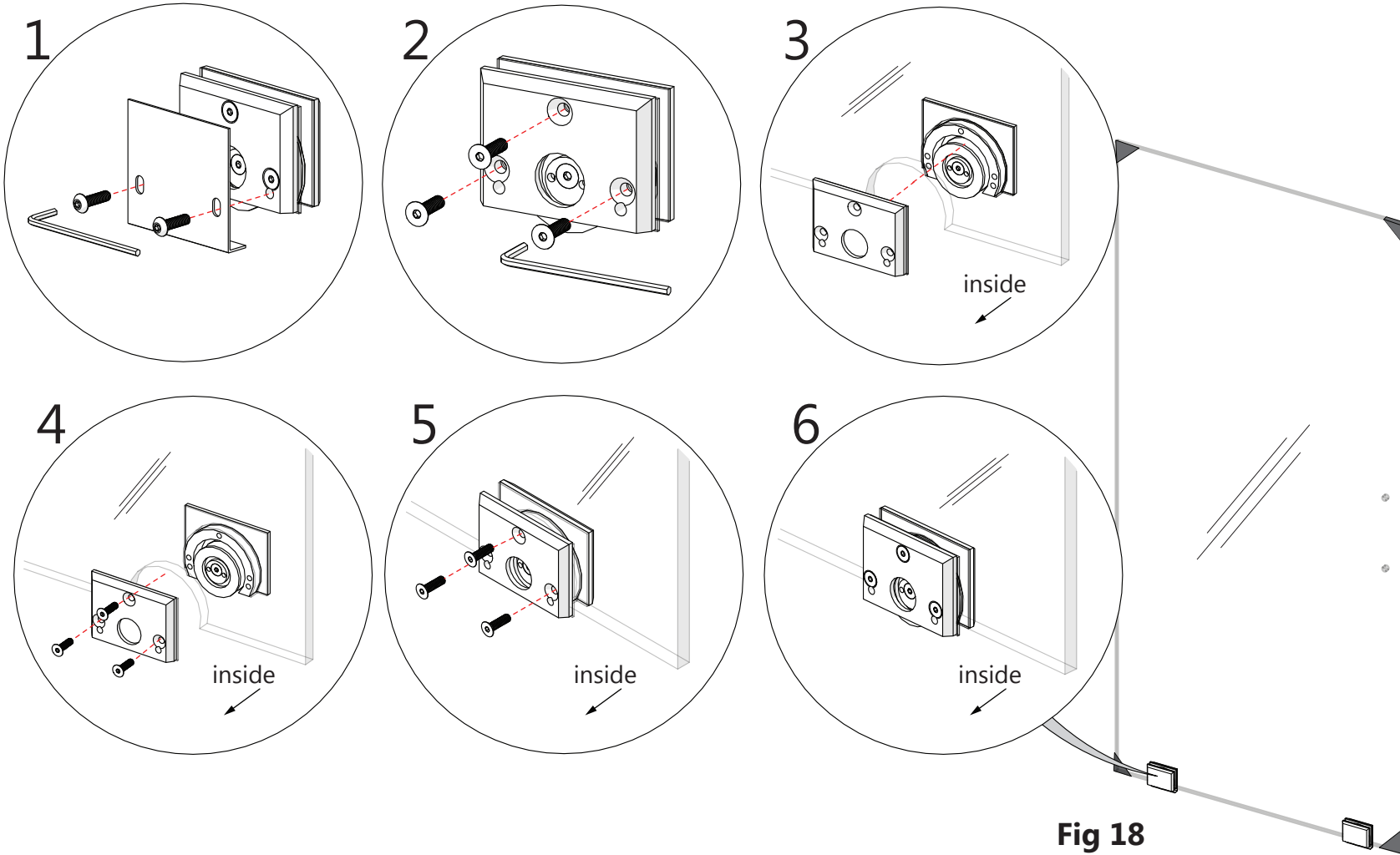


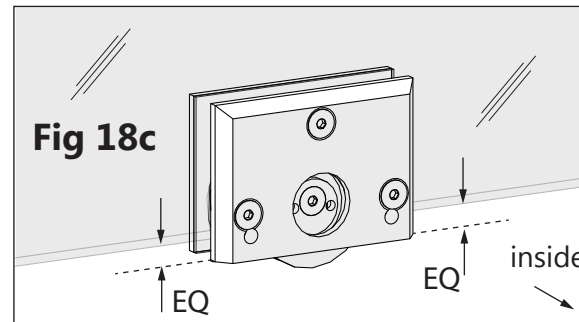
Fig 18



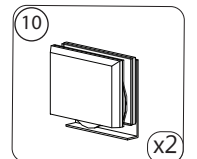
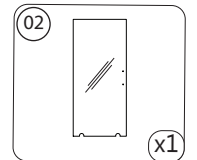
Leave the corner protectors on the door glass until it is necessary to remove them.



Make certain that the bolts are facing inside the shower and the **Bottom Roller Assemblies (#10)** are installed squarely onto the glass as shown in **Fig 18c**.



Parts Needed



19

Instaling the Door Glass with a Helper



For the next steps, have an assistant available to hold the **Door Glass (#02)** in position during the installation of the **Guide Block Assembly (#09)**.

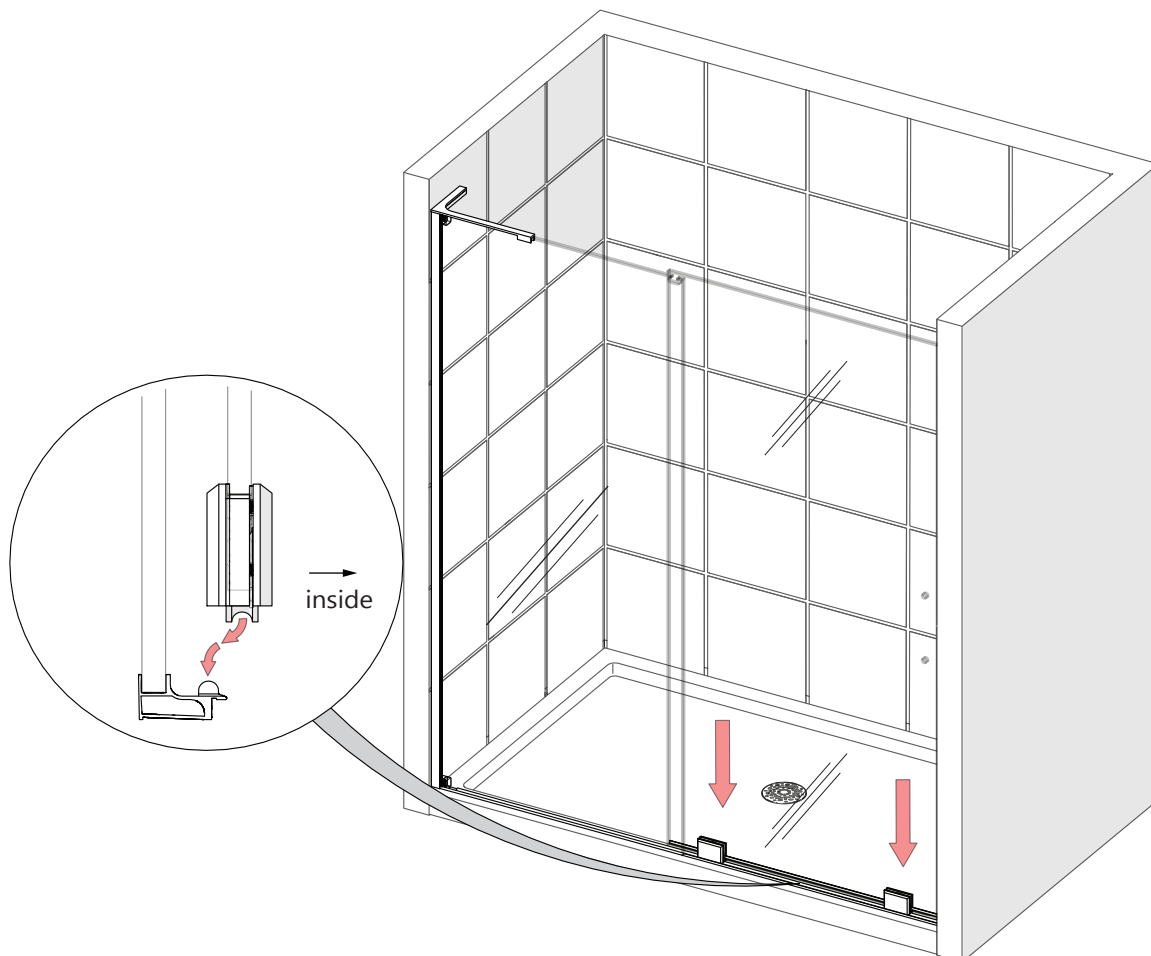
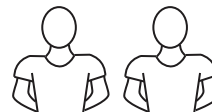
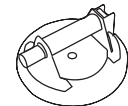


Fig 19

Parts Needed

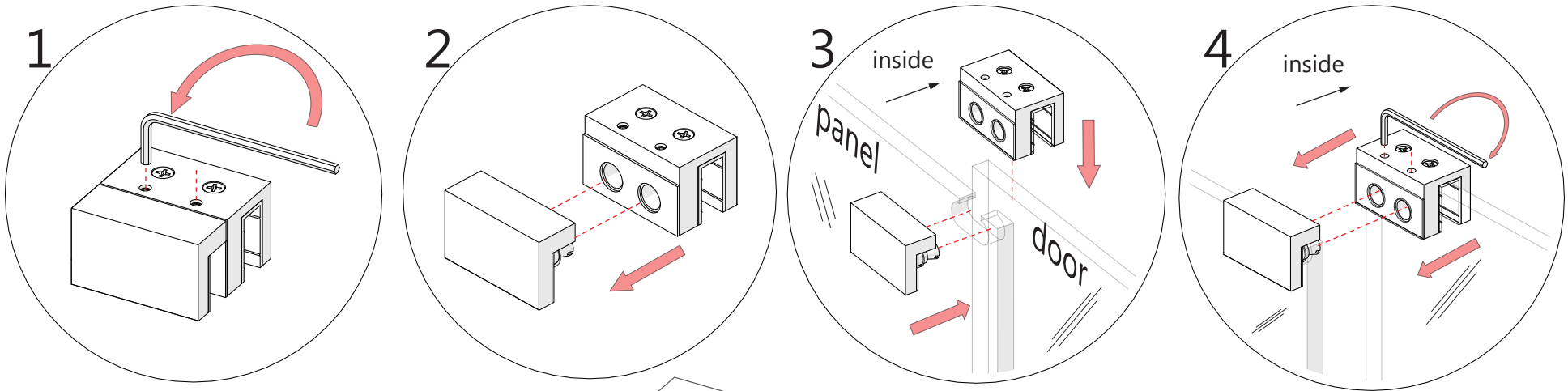
Tools Needed



Use caution to prevent the door glass from making contact with the installed Inline Panel Glass or the wall during installation.

20

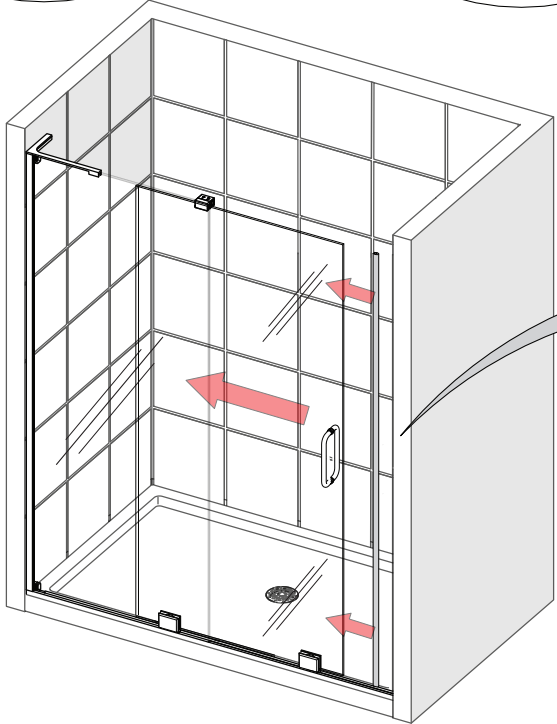
Guide Block and Bumper Vinyl Installation



Once the **Door Glass** is securely installed, check the seal between the **Bumper Vinyl** and the wall. If adjustment is needed for an even seal, see the instructions on page 30.



Use caution to prevent the unprotected edge of the door glass from making contact with the wall during installation.



Once the **Bumper Vinyl** is installed, check to see how evenly the **Door Glass** meets the wall.

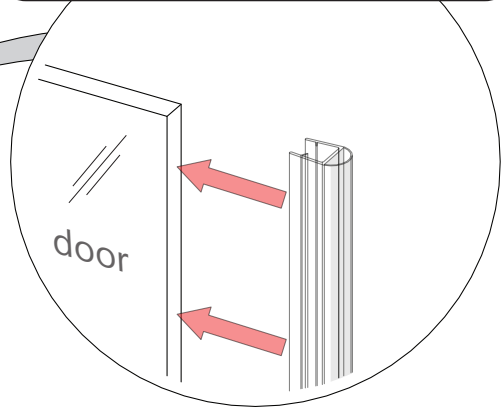
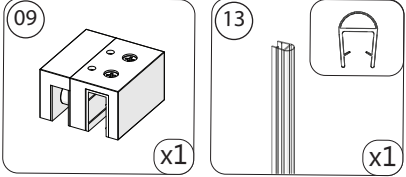


Fig 20

DO NOT completely disassemble the **Guide Block Assembly (#09)** during installation.

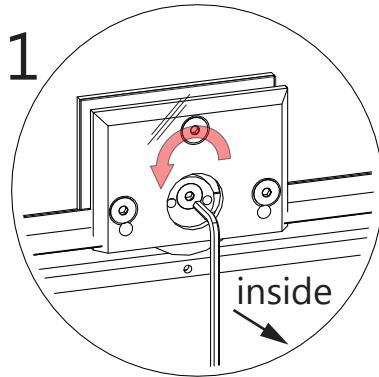
Parts Needed



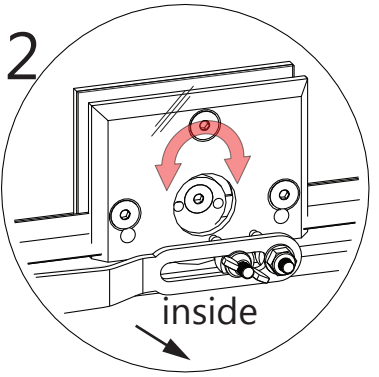
21

Bottom Roller Assembly Adjustment Procedure

Loosen adjustment screw



Support glass while adjusting roller with wrench



Support glass and tighten screw

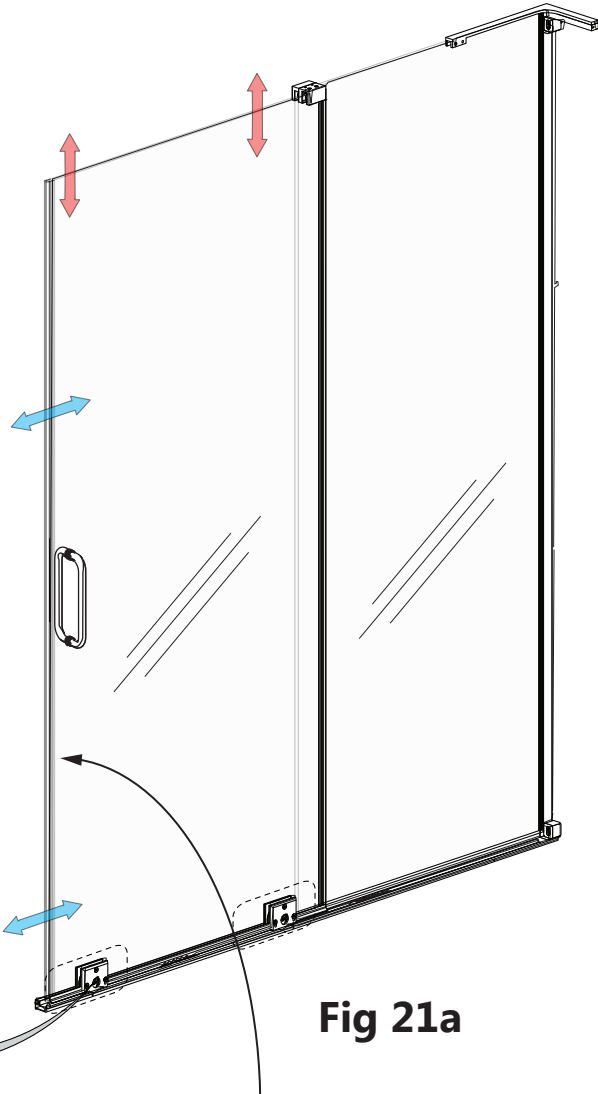
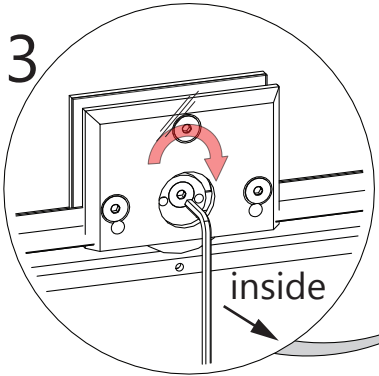


Fig 21a

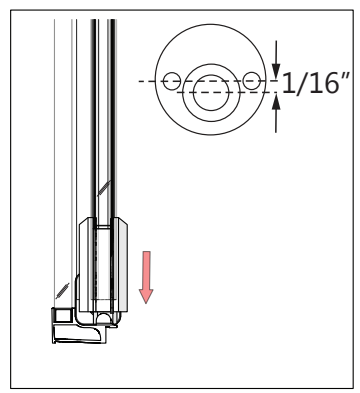
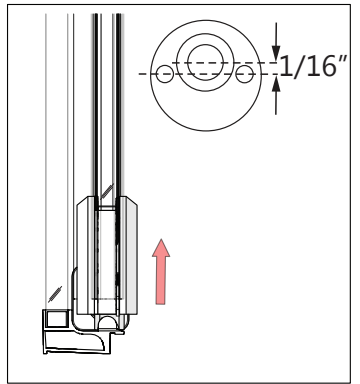
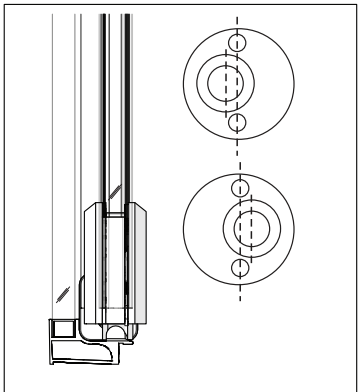


Fig 21b



It is important to support the weight of the glass during the entire adjustment procedure.

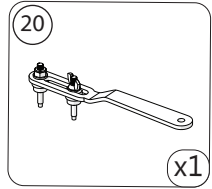


Adjust the door glass (if needed) to create a good seal with the wall by using the adjustment feature in the Roller Assemblies.

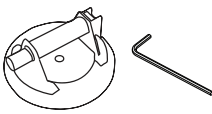


Use shims beneath the **Door Glass (#02)** during adjustment to prevent the door glass from making contact with the **Bottom Guide Rail (#03)**.

Parts Needed



Tools Needed



22

Re-Installing the Decorative Cover Plate

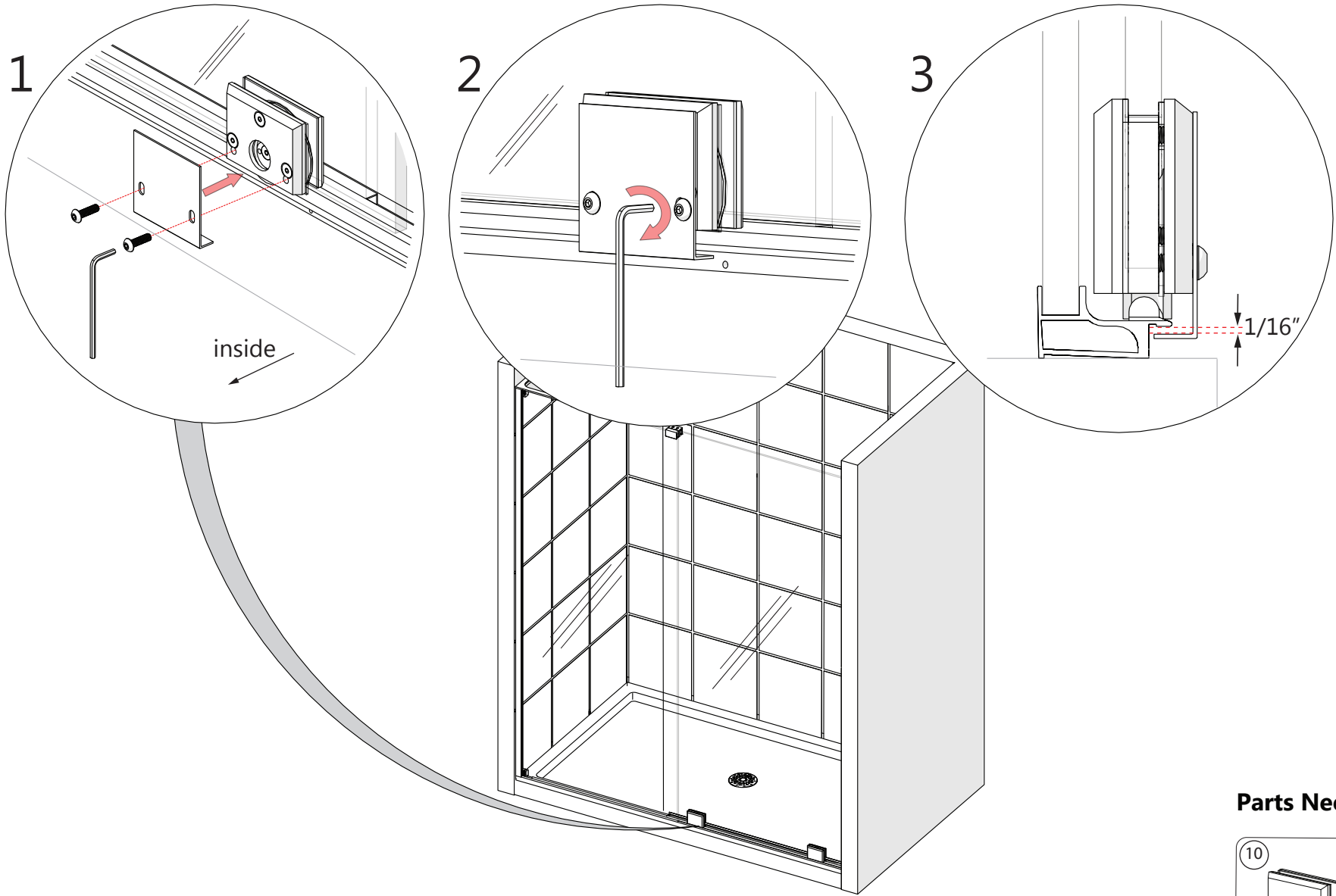
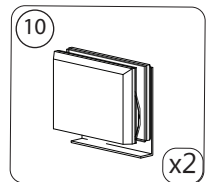


Fig 22

Parts Needed



23

Handle and Bulb Vinyl Installation



Start attaching the **Bumper Vinyl** from the bottom of the **Door Glass** and work upward, pressing firmly. **Fig 23**

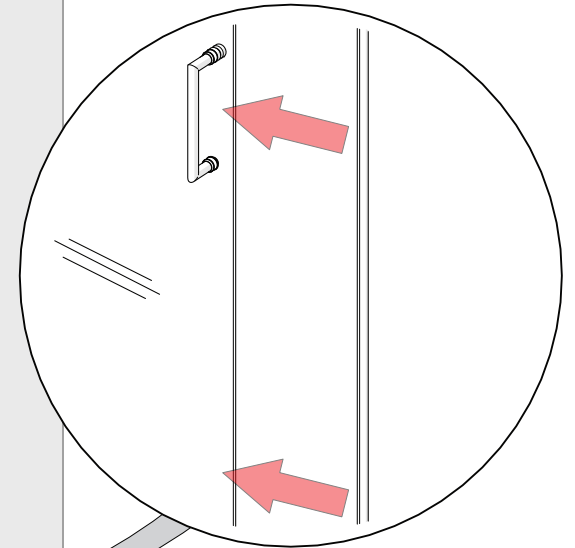
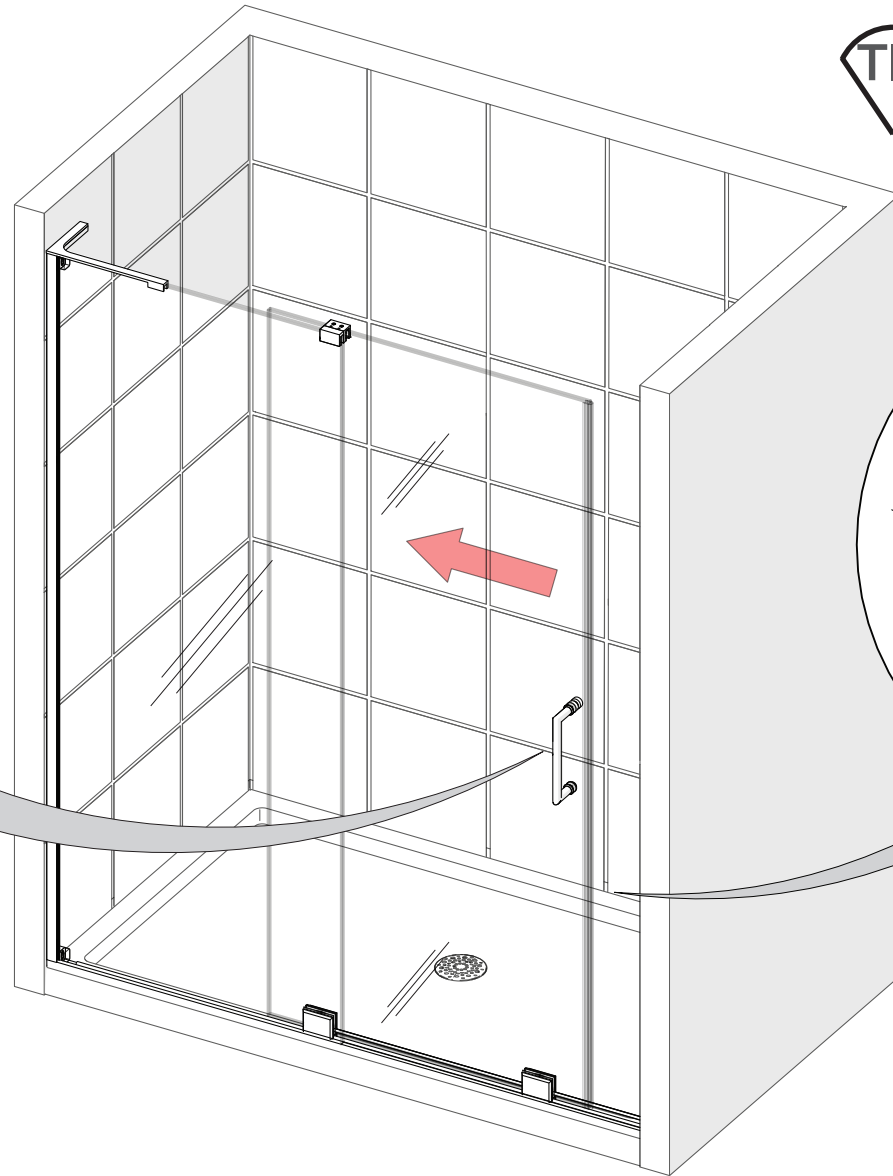
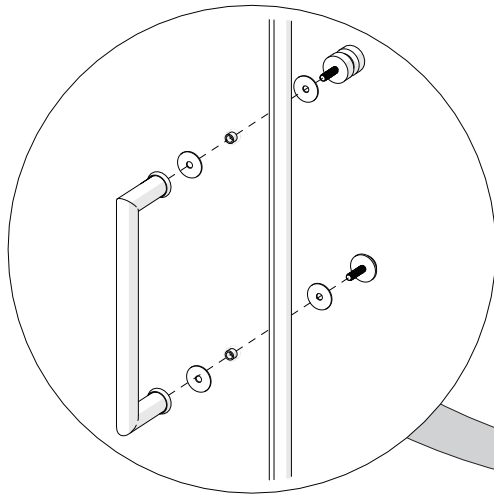
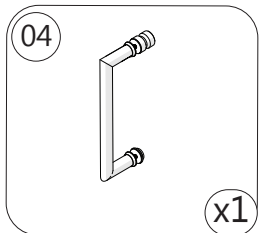


Fig 23

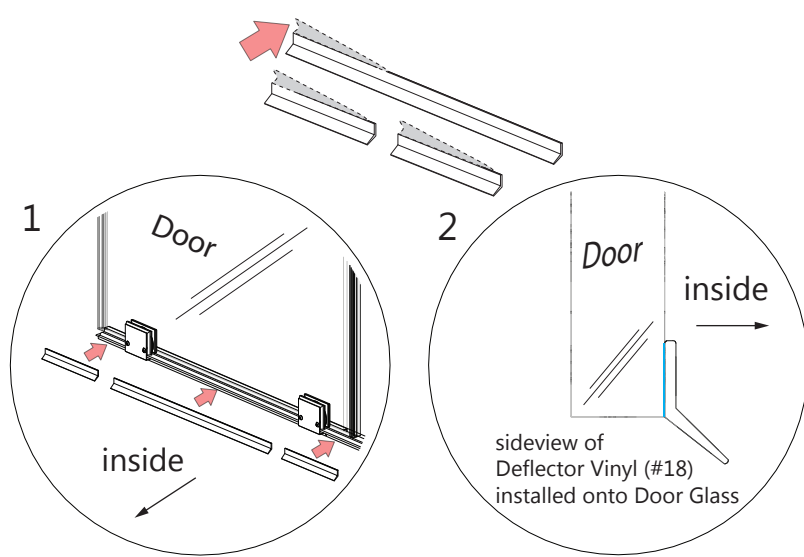
Parts Needed



24

Installation of Sweep Vinyls and Notching the Bulb Vinyl Seal

Sweep Installation



Notching the Bulb Vinyl around the Sweep

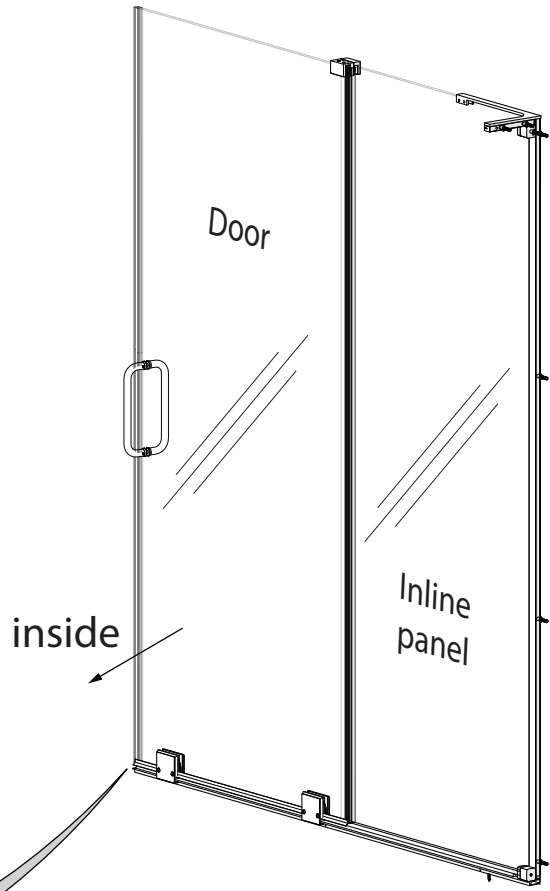
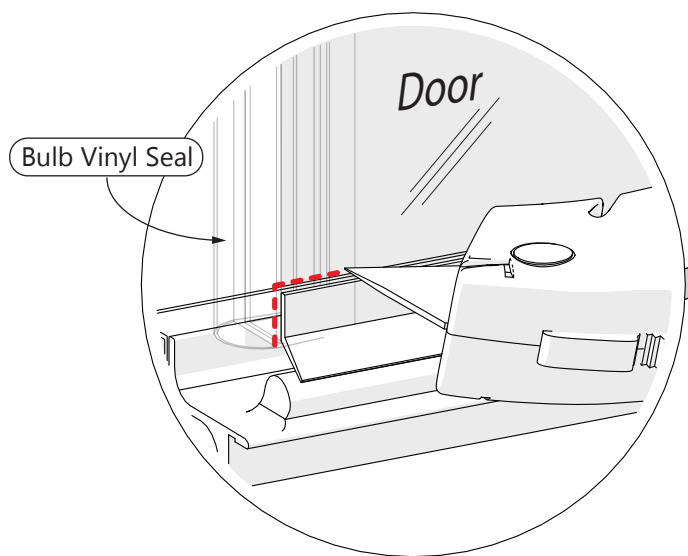
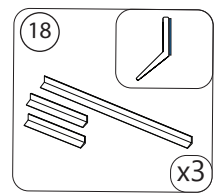


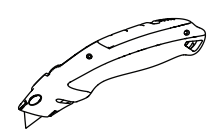
Fig 24

Right-hand installation shown as example

Parts Needed



Tools Needed



25

Notching the Vertical Vinyl Strip on Back of Door Glass

Cutouts:
A = 1" (25mm)
B = 1/4" (7mm)

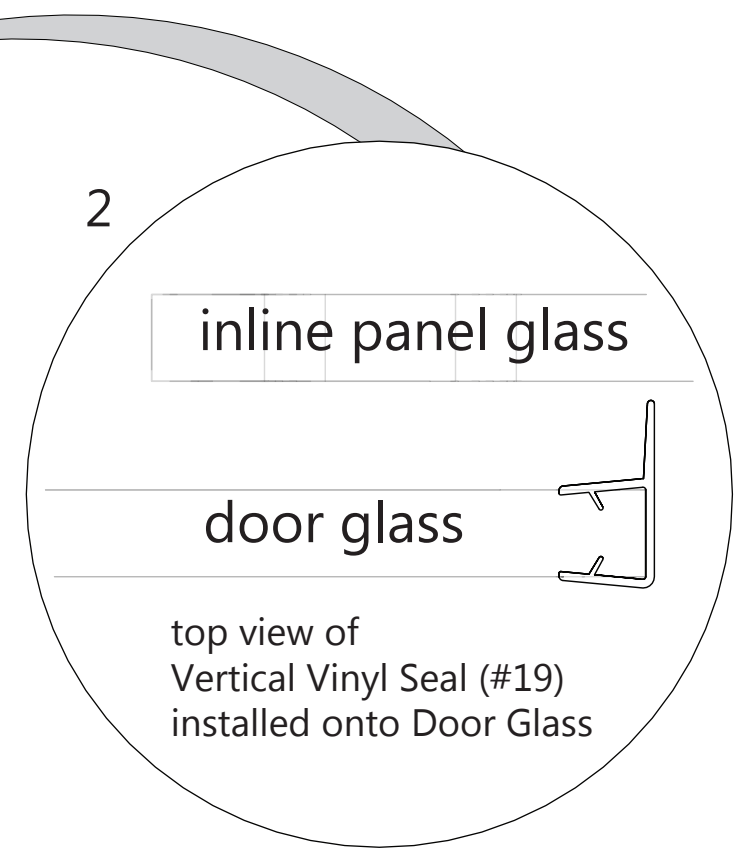
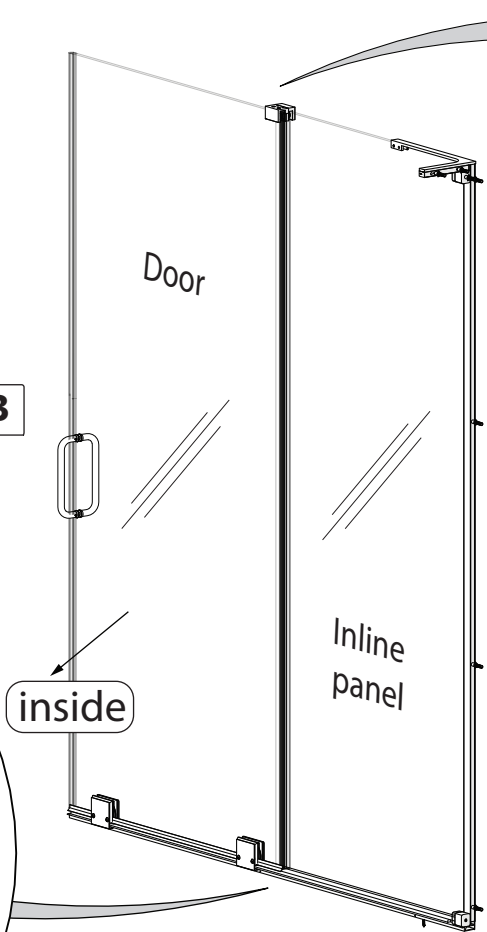
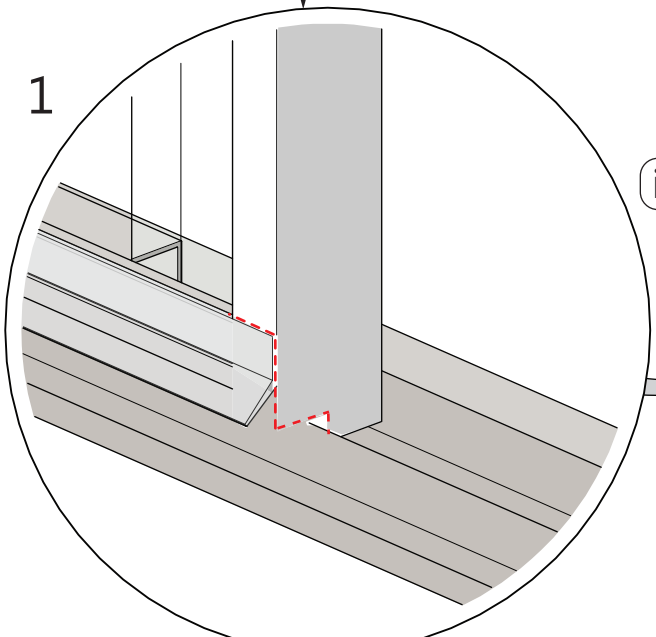
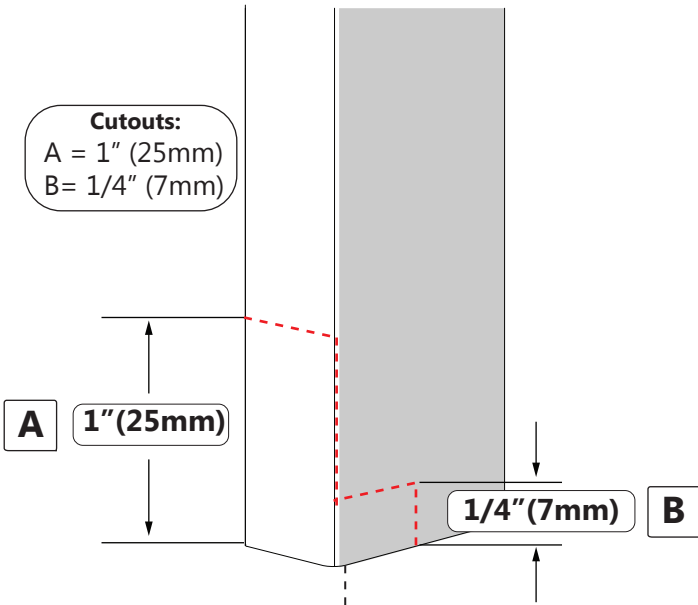
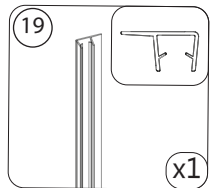
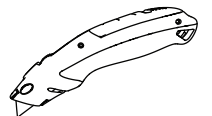


Fig 25

Right-hand installation shown as example. Reverse for left-hand installation



Tools Needed



26



The surfaces need to be clean and free of debris before applying silicone.

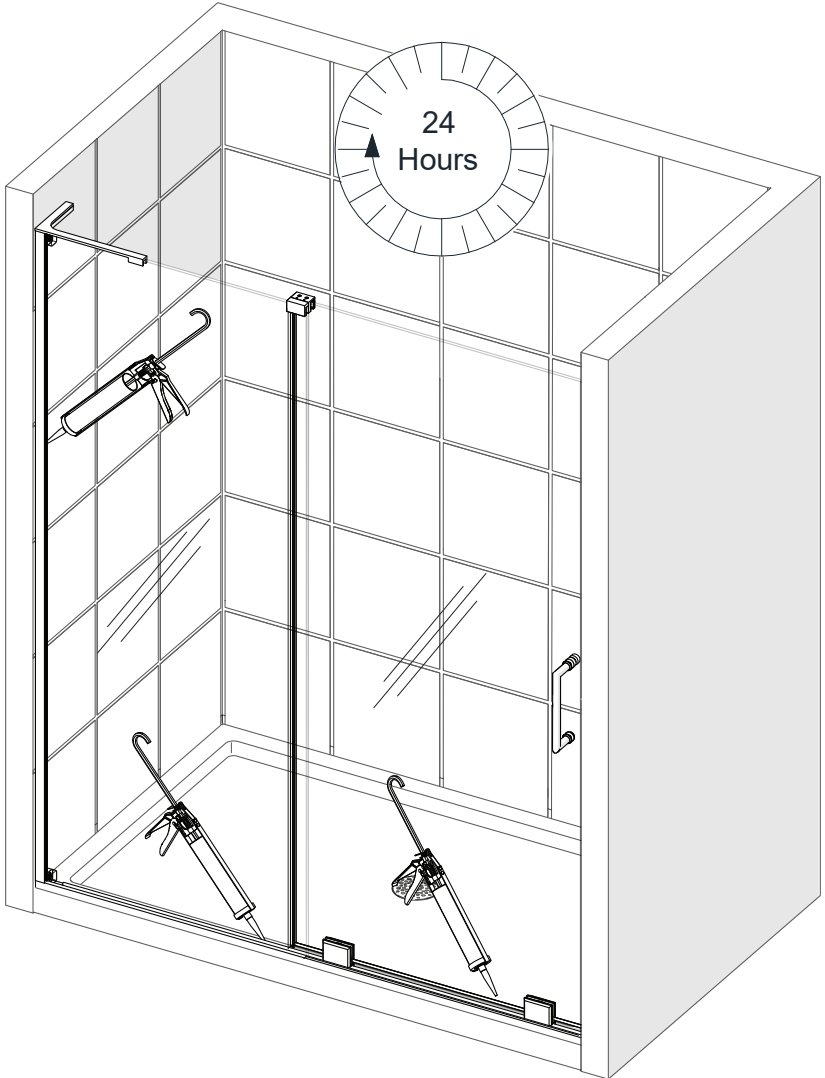


Fig 26



Allow 24 hours for the silicone caulk to cure before using shower.

Tools Needed

Product Maintenance

BASES and BACKWALLS: To ensure long lasting life for your acrylic back walls: wipe them off after each use with a soft cloth. To clean the acrylic back walls use non-abrasive sprays or cream based cleaners. Avoid the use of aerosol spray cleaners. Never use abrasive cleansers, metal brushes or scrapers that could permanently scratch or dull the surface.

GLASS: To ensure long lasting life for your glass shower products: wipe them off after each use with a soft cloth. Rinse and wipe off the glass using either a soft cloth or a squeegee to prevent soap buildup and water spots (Hard water can etch the surface of the glass over time if left to dry). To prevent scratching the surface: never use abrasive cleaners or cleaning products that contain scouring agents. Never use bristle brushes or abrasive sponges that may scratch the surface of the glass.

HARDWARE: To ensure a long lasting finish: wipe off all metal parts after each use with a soft cloth. Do not use abrasive cleaners or cleaning products containing ammonia, bleach or acid. If accidentally used, rinse the surface as soon as possible to prevent damage to the finish (peeling or corrosion). After cleaning the polished finishes, rinse thoroughly and wipe dry with a soft clean cloth.

Clean stainless steel surfaces at least once a week. When applying stainless steel cleaner or polish to stainless steel hardware, work with the grain (not across the grain). Never use an abrasive sponge or cloth, steel wool or wired brush as these may permanently scratch the surfaces.



To maximize the life of your door, it is important to regularly inspect the glass and other hardware for misalignment, proper attachment, and/or damage. Contact DreamLine® with any questions or concerns.

MIRAGE-X Maintenance Checklist

- Bottom Guide Rail** level and tight to the threshold
- U-Channel** plumb and tight to the wall
 - Inline Panel Glass** secured within the U-Channel
- Bumpers** (upper / lower) secured to wall
- L-Shaped Bracket** is level and secured to the Inline Panel Glass and to the wall
 - Gaskets in place
 - All set screws tight
- PVC Glass Spacer 0.5mm** present between the **Inline Panel Glass** and the end of the **Bottom Channel Insert** to prevent glass-to-metal contact.
- Bottom Roller Assemblies** secured tightly to the **Door Glass**
 - All bolts are tight and installed squarely on the glass
- Door Glass** rolls smoothly within the **Guide Block** during operation
 - Guide Block** set screws are tight
- Handle** is tightly secured to the Door Glass
- Deflector Vinyl** is secured to the bottom of the Door Glass
- Remove vinyl seals to **inspect the edges of the Door Glass** for concealed damage
 - Damaged glass must be replaced!**
- Replace damaged or missing vinyl seals
- Inspect and replace silicone as necessary to prevent water leakage

Troubleshooting

Problem/Symptom	Suggested Solution
Missing Parts	<ul style="list-style-type: none"> •Check all shipping/packaging material for missing parts/components. •If not found, contact DreamLine Customer Support [1-866-731-2244] to order factory part replacement.
Bottom Guide Rail (#03) was cut too short or was cut from the wrong end during installation.	<ul style="list-style-type: none"> •Contact the manufacturer to order factory part replacement.
Water Leakage: Bottom Guide Rail (#03)	<ul style="list-style-type: none"> •Confirm that silicone was properly applied along the entire length of the bottom rail. •Confirm that the Bottom Channel Insert (#12) is installed correctly. •Direct the shower head/water flow away from the area.
Water Leakage: Inline Panel/Door Glass (#01/#02)	<ul style="list-style-type: none"> •Confirm the Vertical Vinyl Seal (#19) and Bulb Vinyl Seal (#13) are installed properly. •Direct the shower head/water flow away from the area.
Door Glass (#02) experiences grinding or scraping during use/or operation.	<ul style="list-style-type: none"> •Check that the Bottom Roller Assemblies are installed squarely onto the Door Glass. •Check the Roller Assembly Cover Plate and confirm that it has 1/16"-1/8" clearance gap beneath Bottom Guide Rail (#03).
Door Glass (#02) does not create a good seal with the wall when in the closed position.	<ul style="list-style-type: none"> •Adjust the Bottom Roller Assemblies with the Roller Installation Tool
Roller Assembly Cover Plate (#10.7) makes contact with Bottom Guide Rail (#03) .	<ul style="list-style-type: none"> •Check the Roller Assembly Cover Plate and confirm that it has 1/16"-1/8" clearance gap beneath Bottom Guide Rail (#03).
L-Bar™ (#05) not installed level with the panel glass.	<ul style="list-style-type: none"> •Review the L-Bar™ installation steps to adjust it if needed. •Confirm gaskets are in place to protect the glass •Removal and reinstallation may be necessary. •The L-Bar™ must be installed correctly for the safety of the installation.



Prior to contacting the manufacturer, please have the following information readily available:

- Purchase Order Information
 - Name, PO Number, Dealer/Vendor Name, etc.
- SKU/Model Number (See Cover Page)
- Factory Part Information (see Pages 38-40)

Factory Parts Information

MIRAGE-X (48"x 71")		FACTORY PARTS INFORMATION	
ITEM #	FACTORY PART NUMBER	ITEM DESCRIPTION	QTY
01	010260033	Stationary Panel Glass (71"x23.5"x 5/16") ClearMax - Both Sides	1 pc
02	010260036	Door Glass (70"x26.25"x 5/16") ClearMax - Both Sides	1 pc
03	041700 X 1-1270	Bottom Guide Rail for 8mm (5/16in) Glass	1 pc
04	722 X 041	Single Sided 8" Handle Assembly w/Knob	1 pc
05	0712 X 227	Reversible L-Bar™ for 8mm (5/16in) Glass	1 set
06	07552148	Wall Anchor 8mm (5/16in)	9 pcs
07	092108	ST4.2 x 40mm Countersunk Screw	6 pcs
09	070 X 1150	Guide Block Assembly for 8mm (5/16in) Glass	1 pc
10	073 X 1022	Bottom Roller Assembly for 10mm (3/8in) Glass	2 pcs
11	0702 X 154	SafeStop™ Bumper Assembly (small)	2 pcs
12	0712 X 080	Bottom Channel Insert SS for 8mm (5/16in) Glass	1 pc
13	063007080-1779	Bulb Vinyl Seal for 8mm (5/16in) Door Glass	1 pc
14	07550091	PVC Glass Spacer 0.5mm	1 pc
15	098002 / 098003	Allen Wrenches (2.5mm/3mm)	1 set
16	091105	ST4.0 x 30mm Pan Head Screw	3 pcs
17	041540 X 1-1784	U-Channel 1" Aluminum for 8mm (5/16in) Glass (70-1/4")	1 pc
18	063023000-0344 (13.5") 063023000-0082 (3.25")	Deflector Vinyls with VHB Tape (rigid)	3 pcs
19	063002080-1779	Clear Vinyl Seal with Flexible Fin for 8mm (5/16in) Glass	1 pc
20	098010	RollerAdjustment Tool	1 pc
21	091107	ST4.0 x 40mm Pan Head Screw	3 pcs
22	06001106 3 -1784 (70.25")	Vertical Pinch Vinyl for 8mm (5/16in) Glass (Gray)	1 pc
23	06001208 3 -0595 (23.5")	Bottom Pinch Vinyl for 8mm (5/16in) Glass (Gray)	1 pc

Bold X = Finish

- 01** = Chrome
- 04** = Brushed Nickel
- 05** = Brushed Gold
- 09** = Matte Black

Contact Support@DreamLine.com for Part replacement, installation assistance or additional information.

Complete **Warranty** information is available on DreamLine.com.

Factory Parts Information

MIRAGE-X (59"x71")		FACTORY PARTS INFORMATION	
ITEM #	FACTORY PART NUMBER	ITEM DESCRIPTION	QTY
01	10260026	Inline Panel Glass (71"x29"x5/16") ClearMax-Both Sides	1 pc
02	10260027	Door Glass (70"x32"x5/16") ClearMax-Both Sides	1 pc
03	041700 X 1-1549	Bottom Guide Rail for 8mm (5/16in) Glass	1 pc
04	0722 X 041	Single Sided 8" Handle Assembly wKnob	1 pc
05	0712 X 227	Reversible L-Bar™ for 8mm (5/16in) Glass	1 set
06	07550045	Wall Anchor 8mm (5/16in)	9 pcs
07	092108	ST4.2 x 40mm Countersunk Screw	6 pcs
09	0701 X 150	Guide Block Assembly for 8mm (5/16in) Glass	1 pc
10	0731 X 022	Bottom Roller Assembly for 8mm (5/16in) Glass	2 pcs
11	0702 X 154	SafeStop™ Bumper Assembly (small)	2 pcs
12	0712 X 228	Bottom Channel Insert SS for 10mm (3/8in)	1 pc
13	063007080-1779	Bulb Vinyl Seal for 8mm (5/16in) Glass	1 pc
14	07550091	PVC Glass Spacer 0.5mm	1 pc
15	098002 / 098003	Allen Wrench (2.5mm/3mm)	1 set
16	091105	ST4.0 x 30mm Pan Head Screw	3 pcs
17	041540 X 1-1784	U-Channel 1" Aluminum for 8mm 5/16in) Glass	1 pc
18	063023000-0484 (19") 063023000-0082 (3.25")	Deflector Vinyl with VHB Tape (rigid)	3 pcs
19	063002080-1779	Vinyl Seal with a Flexible Fin for 8mm (5/16in) Glass	1 pc
20	098010	Roller Installation Tool	1 pc
21	091107	ST4.0 x 40mm Pan Head Screw	3 pcs
22	060011063-1784 (70.25")	Side Pinch Vinyl for 8mm (5/16in) Glass (Gray)	1 pcs
23	060012083-0735 (29")	Bottom Pinch Vinyl for 8mm (5/16in) Glass (Gray)	1 pc

Bold X = Finish

01 = Chrome

04= Brushed Nickel

05= Brushed Gold

09= Matte Black

Contact **Support@DreamLine.com** for Part replacement, installation assistance or additional information.

Complete **Warranty** information is available on **DreamLine.com**.

Factory Parts Information

MIRAGE-X (59"x 58")		FACTORY PARTS INFORMATION	
ITEM #	FACTORY PART NUMBER	ITEM DESCRIPTION	QTY
01	10260032	Stationary Panel Glass (57.5"x29"x5/16") ClearMax-Both Sides	1 pc
02	10260035	Door Glass (57"x31.75"x5/16") ClearMax - Both Sides	1 pc
03	041700 X 1-1549	Bottom Guide Rail for 8mm (5/16in) Glass	1 pc
04	0722 X 041	Single Sided 8" Handle Assembly w/Knob	1 pc
05	0712 X 227	Reversible L-Bar™ for 8mm (5/16in) Glass	1 set
06	7552148	Wall Anchor 8mm (5/16in)	9 pcs
07	092108	ST4.2 x 40mm Countersunk Screw	6 pcs
09	0701 X 150	Guide Block Assembly for 8mm (5/16in) Glass	1 pc
10	0731 X 022	Bottom Roller Assembly for 10mm (3/8in) Glass	2 pcs
11	0702 X 154	SafeStop™ Bumper Assembly (small)	2 pcs
12	0712 X 228	Bottom Channel Insert SS for 10mm (3/8in)	1 pc
13	063007080-1449 (57")	Bulb Vinyl Seal for 8mm (5/16in) Glass	1 pc
14	07550091	PVC Glass Spacer 0.5mm	1 pc
15	098002 / 098003	Allen Wrench (2.5mm/3mm)	1 set
16	091105	ST4.0 x 30mm Pan Head Screw	3 pcs
17	041540 X 1-1453	U-Channel 1" Aluminum for 8mm (5/16in) Glass (57")	1 pc
18	063023000-0484 (19") 063023000-0082 (3.25")	Deflector Vinyl with VHB Tape (rigid)	3 pcs
19	063002080-1449 (57")	Vinyl Seal with a Flexible Fin for 8mm (5/16in) Glass	1 pc
20	098010	Roller Installation Tool	1 pc
21	091107	ST4.0 x 40mm Pan Head Screw	3 pcs
22	060011063-1454 (57")	Side Pinch Vinyl for 8mm (5/16in) Glass (Gray)	1 pc
23	060012083-0735 (29")	Bottom Pinch Vinyl for 8mm (5/16in) Glass (Gray)	1 pc

Bold X = Finish

01 = Chrome

04 = Brushed Nickel

05 = Brushed Gold

09 = Matte Black

Contact **Support@DreamLine.com** for Part replacement, installation assistance or additional information.

Complete **Warranty** information is available on **DreamLine.com**.

NOTES

© DreamLine®
All Rights Reserved

© DreamLine®
All Rights Reserved



TEL: 866-731-2244

FAX: 866-857-3638

DREAMLINE.COM

For more information on DreamLine® Shower Doors and Enclosures please visit **DreamLine.com**