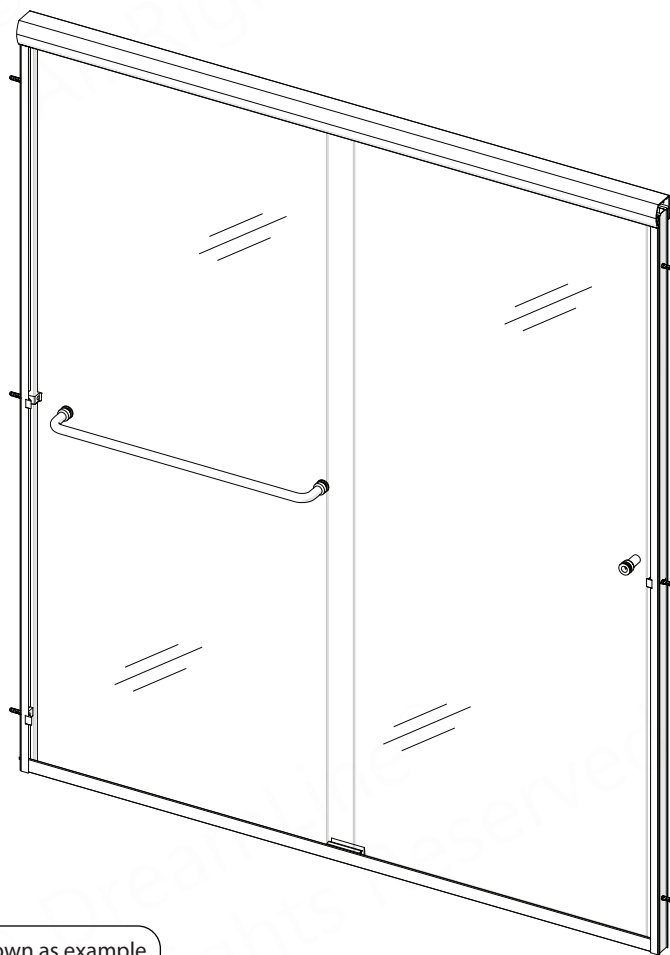




ALLIANCE PRO/ALLIANCE PRO LT

SHOWER DOOR INSTALLATION INSTRUCTIONS

PLEASE REVIEW THIS ENTIRE MANUAL PRIOR TO INSTALLATION



Right side shower head installation shown as example

MODEL #
SDAL60W700VXX01

Available in:
01 - Chrome
04 - Brushed Nickel
06 - Oil Rubbed Bronze
09 - Satin Black

IMPORTANT!

DreamLine® reserves the right to alter, modify or redesign products at any time without prior notice for the purpose of product improvement and customer experience. Please refer to the model's web page on **DreamLine.com** for the latest technical drawings, installation manuals, warranty information or additional product details.

Do Not Return Product to the Store. Contact DreamLine® with any questions



Questions?

Please contact DreamLine Customer Support
See DreamLine.com for hours of operation

Support@DreamLine.com

1-866-731-2244





Alliance Pro SKUs

SDAL48W700VXX04	SDAL60W760LXR01	SDAL66W700VXX01	SDAL54W700VXX01
SDAL48W760RXR04	SDAL60W760LXR04	SDAL66W700VXX04	SDAL54W700VXX06
SDAL48W760VXX01	SDAL60W760LXR06	SDAL66W700VXX06	SDAL54W700VXX09
SDAL48W760VXX04	SDAL60W760RXO04	SDAL66W700VXX09	SDAL56W700VXX01
SDAL54W700VXX04	SDAL60W760RXR01	SDAL72W700VTX01	SDAL56W700VXX04
SDAL56W760LXR01	SDAL60W760RXR04	SDAL72W700VXX01	SDAL56W700VXX06
SDAL56W760VXX01	SDAL60W760RXR06	SDAL72W700VXX04	SDAL56W700VXX09
SDAL56W760VXX04	SDAL60W760VTR04	TDAL66W570VXX01	SDAL56W760VXX06
SDAL60W650VXX04	SDAL60W760VTX01	TDAL66W570VXX04	SDAL56W760VXX09
SDAL60W700LXR01	SDAL60W760VTX04	TDAL66W570VXX06	SDAL60W650VXX01
SDAL60W700LXR04	SDAL60W760VTX06	TDAL66W570VXX09	SDAL60W650VXX06
SDAL60W700RXR01	SDAL60W760VXX01	TDAL72W570VXX01	SDAL60W650VXX09
SDAL60W700RXR04	SDAL60W760VXX04	TDAL72W570VXX04	SDAL60W700VXX09
SDAL60W700RXR06	SDAL60W760VXX06	TDAL72W570VXX06	SDAL72W700VTX04
SDAL60W700VTX04	SDAL60W760VXX09	TDAL72W570VXX09	SDAL72W700VTX06
SDAL60W700VXX01	SDAL60W800LXR04	SDAL48W700VXX01	SDAL72W700VTX09
SDAL60W700VXX04	SDAL60W800VXX01	SDAL48W700VXX06	SDAL72W700VXX06
SDAL60W700VXX06	SDAL60W800VXX04	SDAL48W700VXX09	SDAL72W700VXX09
SDAL60W760LXO01	SDAL60W800VXX06	SDAL48W760VXX06	
SDAL60W760LXO04	SDAL60W800VXX09	SDAL48W760VXX09	



Alliance Pro LT SKUs

SDAT48W700LXR01	SDAT60W650VXX06	SDAT60W700VTR04	TDAT60W620VXX09
SDAT48W700LXR04	SDAL60W760LXO01	SDAT60W700VTR06	SDAT48W700VTX06
SDAT48W700RXR01	SDAL60W760LXO04	SDAT60W700VTX01	SDAT48W700VTX09
SDAT48W700RXR04	SDAT60W670RXR06	SDAT60W700VTX04	SDAT54W700VXX06
SDAT48W700RXR06	SDAT60W670VXX04	SDAT60W700VTX06	SDAT54W700VXX09
SDAT48W700VTX01	SDAT60W700LXB04	SDAT60W700VXX01	SDAT58W700VXX01
SDAT48W700VTX04	SDAT60W700LXO01	SDAT60W700VXX04	SDAT58W700VXX06
SDAT48W700VXX01	SDAT60W700LXO04	SDAT60W700VXX06	SDAT58W700VXX09
SDAT48W700VXX04	SDAT60W700LXR01	SDAT60W700VXX09	SDAT60W650VXX09
SDAT48W700VXX06	SDAT60W700LXR04	TDAT60W570VXX01	SDAT60W670VXX01
SDAT48W700VXX09	SDAT60W700LXR06	TDAT60W570VXX04	SDAT60W670VXX06
SDAT54W700LXR04	SDAT60W700RXO01	TDAT60W570VXX06	SDAT60W670VXX09
SDAT54W700VTX04	SDAT60W700RXO04	TDAT60W570VXX09	SDAT60W700VTX09
SDAT54W700VXX01	SDAT60W700RXR01	TDAT60W600VXX01	TDAT60W600VXX06
SDAT54W700VXX04	SDAT60W700RXR04	TDAT60W600VXX04	TDAT60W600VXX09
SDAT58W700VXX04	SDAT60W700RXR06	TDAT60W620LXR04	TDAT60W620VXX06
SDAT60W650LXR04	SDAT60W700VTO01	TDAT60W620RXR01	
SDAT60W650VXX01	SDAT60W700VTO04	TDAT60W620VXX01	
SDAT60W650VXX04	SDAT60W700VTR01	TDAT60W620VXX04	



Record the following purchase information for your records or in the event you need to contact DreamLine®:

Purchase Order
Number _____

Store/Vendor
Purchased From _____

Installation Date _____

OD Number
(optional) _____
*found on the shipping box or label
if available.






Installed By: _____

SKU Number _____

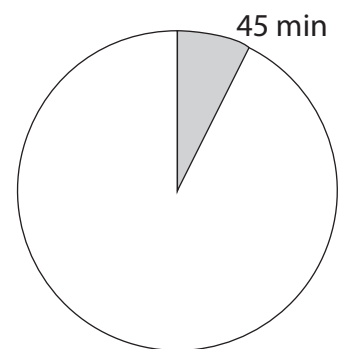
Table of Contents

Section Title	Page #
Important Product Information	2
Model Specific Preparation	3
Tools	4
Detailed Diagram of Alliance Pro/Alliance Pro LT Door Components	5
Item List	6-7
Installation Steps	8-23
Product Maintenance	24
Troubleshooting	25
Factory Parts Information	26-33

Symbol Legend

	TIP - for ease of installation.		CORRECT - recommended.
	NOTE - take note of special feature; additional information.		INCORRECT - not recommended.
	REQUIRED - requires special attention; signifies a warning.		

Average Installation Time





IMPORTANT

- DreamLine® reserves the right to alter, modify or redesign products any time without prior notice for product improvement and customer experience. Please refer to the model's web page on DreamLine.com for the latest technical drawings, installation manuals, warranty information or additional product details.
- This product should be installed by someone familiar with the construction requirements for this type of project and the care necessary for the safe installation and operation of the product.
- The safety of any installation is the responsibility of the installer.
- Professional installation recommended. (*All Models*)
- Professional installation required. (*Enigma Series*)
- To prevent damage or serious injury, Do Not lean against the installed panel/door/glass.
- To prevent damage or serious injury: Do Not attempt to lift or move a heavy lite of glass alone. Use an assistant and/or a professional grade glass suction cup.
- The installation of some models may require drilling down into the threshold. Contact the manufacturer of the base, tub, or threshold material with any questions regarding the drilling of holes into their product.
- All drawings in this installation manual are for illustrative purposes only and are not drawn to scale.

TEMPERED GLASS WARNING

- Your Shower Door Glass Could Shatter Without Warning if Improperly Installed or Mishandled
- Do Not install or operate a shower door if the glass has chipped corners, slivered edges or is otherwise damaged and/or has been dropped or banged into a hard surface such as tile, marble or glass.
- **The main causes of tempered glass breakage are:**
 - Improper handling, storage or installation
 - Misuse/abuse
 - Lack of maintenance
 - Failure to replace damaged glass
 - **Improper handling during storage, unpacking and installation:**
 - Corners and edges are the most susceptible area to damage on a lite of tempered glass and should be protected and handled with care during storage, unpacking, installation and operation. A concentrated point of pressure or impact with a surface harder than itself may cause the tempered glass to shatter. The tempered glass may release immediately, within several hours or even days later.
 - **Incorrect installation of door hardware, rollers, hinges, channels, stopper or glass:**
 - Improper installation may include: loose hardware and/or lack of proper gaskets between the hardware and glass. Additionally, improper alignment of guide rails, wall profiles or other hardware during installation or operation may place stress on the glass edges and cause it to break.
 - This product must be installed by a professional and experienced installer familiar with the safe handling of tempered glass.
 - **Improper use of this product:**
 - Aggressively opening or closing the door may cause trauma to the glass, which can lead to breakage. This may occur immediately or hours or even days later.
 - **The shower door hardware and glass should be inspected periodically:**
 - Instruct the homeowner how to perform a periodic inspection of the shower hardware and glass - some minor adjustments may be necessary based upon the use (or misuse) of the shower door. Ensure that the hardware remains tight and that the door alignment and operation are correct. Any adjustments should be made upon discovery to prevent damage to the product.
 - Additional considerations should be given to the installation of frameless tempered glass products in households with young children or an elderly person due to an increased chance of improper handling. In such cases, alternatives such as shower curtains or grab bars should be considered.

GENERAL PREPARATION

- After opening all boxes and packages, read this introduction carefully. Check that all the items are included in the package by marking off the components on the "**Detailed Diagram of Product Components**" page. Examine all boxes and packages for shipping damage. If the unit has been damaged, has a finishing defect, or is missing parts; please contact our Customer Support department within 3 business days of the delivery date. **Please note that DreamLine® will not replace any damaged products or missing parts free of charge after 3 business days or if the product has been installed.** Please contact DreamLine® if you have any questions.
- **Please note that you should refer to your local building codes with questions on installation compliance standards. Building and plumbing codes may vary by location, and DreamLine® is not responsible for code compliance standards for your project and will not accept any returns.**
- If this unit is going to be installed in a new construction, install all the required plumbing and drainage before installing the shower. **Use a competent and licensed (if required by local code) plumber for all plumbing installation.**
- Make sure that prior to beginning the installation, the surfaces are leveled and solid and will be able to support the total weight of the unit. Also make sure the walls are at right angles. Irregular installation surface level, radius corners or improper angle of side walls will result in serious problems for your installation. Please note that some adjustments and drilling will be necessary during the installation process.
- Protect all primary surfaces of the product during installation. Never set your glass down directly onto a tile floor. Leave corner protectors in place until it is necessary to remove them. Always use a piece of wood or cardboard to protect the bottom edge and corners of the glass prior to and during installation.
- This unit must be installed upon a finished threshold and against finished walls.
- *DreamLine® shower doors are not designed to be installed into a fiberglass surround due to the radius corners and lack of a solid surface to mount the hardware.*

WARNING: TO AVOID THE RISK OF DAMAGE OR INJURY:

- **Follow all recommendations and requirements as shown in the installation instructions.**
- Perform a thorough inspection of the glass and all parts for any damage prior to installation. Any damage to tempered glass can cause breakage. **Do Not install damaged glass!**
- Do Not install or operate a shower or tub door if the glass has chipped corners, slivered edges or is otherwise damaged. Do Not install or operate a shower or tub door that has been dropped or banged into a hard surface such as tile, marble or glass.
- **CAUTION:** Contact with any hard surface can damage tempered glass and cause it to shatter.
- This product uses tempered glass. Glass cannot be cut after it has been tempered. **Do Not attempt to cut tempered glass.**
- DreamLine® Glass Shower doors, Tub doors, Inline panels, and Return panels can shatter due to improper handling or lack of maintenance. Conduct periodic inspections of glass and all parts for possible damage, missing or loose parts.
- Always wear proper safety equipment such as: safety goggles, work gloves and appropriate footwear during the installation process.
- **WARNING. Risk of leakage and/or damage.** Follow all instructions regarding the application of silicone sealant or caulk. Allow 24 hours for the sealant to cure before the initial use of the shower or tub product. Follow the silicone manufacturer's recommendations regarding the use of their product.
- **Thoroughly read these instructions before installing or using this product.**
- **Leave this manual for the end-user of the product.**



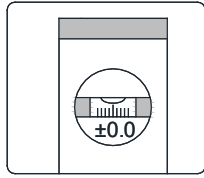
This product should be installed by someone familiar with the construction requirements for this type of project and the care necessary for the safe installation and operation of the product.

Model Specific Preparation

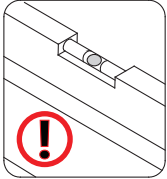


REQUIRED:

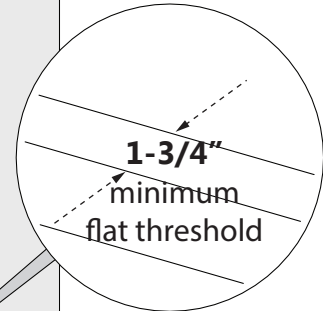
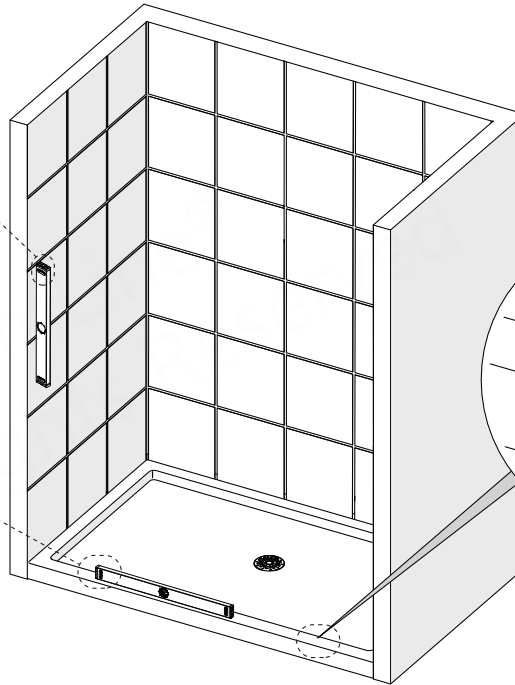
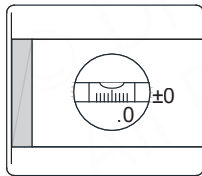
1/4" Out-of-Plumb Adjustment; Verify threshold and walls with a level



Threshold must be level



Threshold must be level



This door is reversible. The inside door glass can be installed on either side of the shower, and should always be installed on the shower head side of the shower to avoid leaking between the doors.



DO NOT attach the handle to the door glass until instructed.
DO NOT attempt to use the handle to lift the door glass during installation.

This may result in damage to the glass and/or serious injury. Always use a professional grade glass suction cup and an assistant.

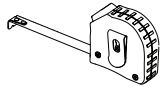


Unpack your unit carefully and inspect it. Lay it out and identify all parts using the **Detailed Diagram** on page 5; and packing list in this manual as a reference. Before discarding the carton, check for small hardware bags that may have fallen to the bottom of the box. If any parts are damaged or missing, please contact DreamLine® for replacement. The shipping boxes may contain extra parts not used in your model configuration. Retain these installation instructions for future reference.

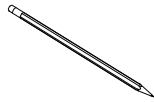
Tools



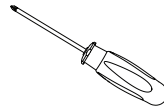
4-Foot Level



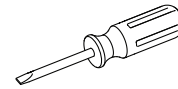
Tape Measure



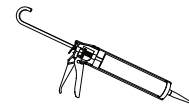
Pencil



Phillips
Screwdriver



Flat-head
Screwdriver



Caulk gun with
clear, mold-resistant
Silicone



Screw Gun
or Impact Driver
w/ #2 Phillips bit



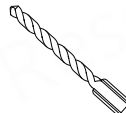
Power
Drill



Drill Bit
Ø1/8"
(3mm)



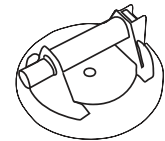
Drill Bit
Ø9/64"
(3.5mm)



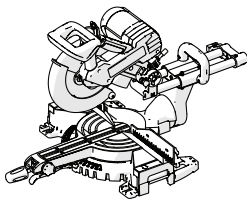
Drill Bit
Ø3/16"
(4mm)



Drill Bit
Ø7/32"
(6mm)
For S-Curved Glass



Professional-grade
Glass suction cup



Compound Miter Saw
with Blade for Metal



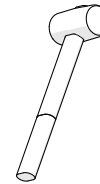
Razor Knife



Safety Glasses



Work Gloves



Rubber Mallet



Metal File



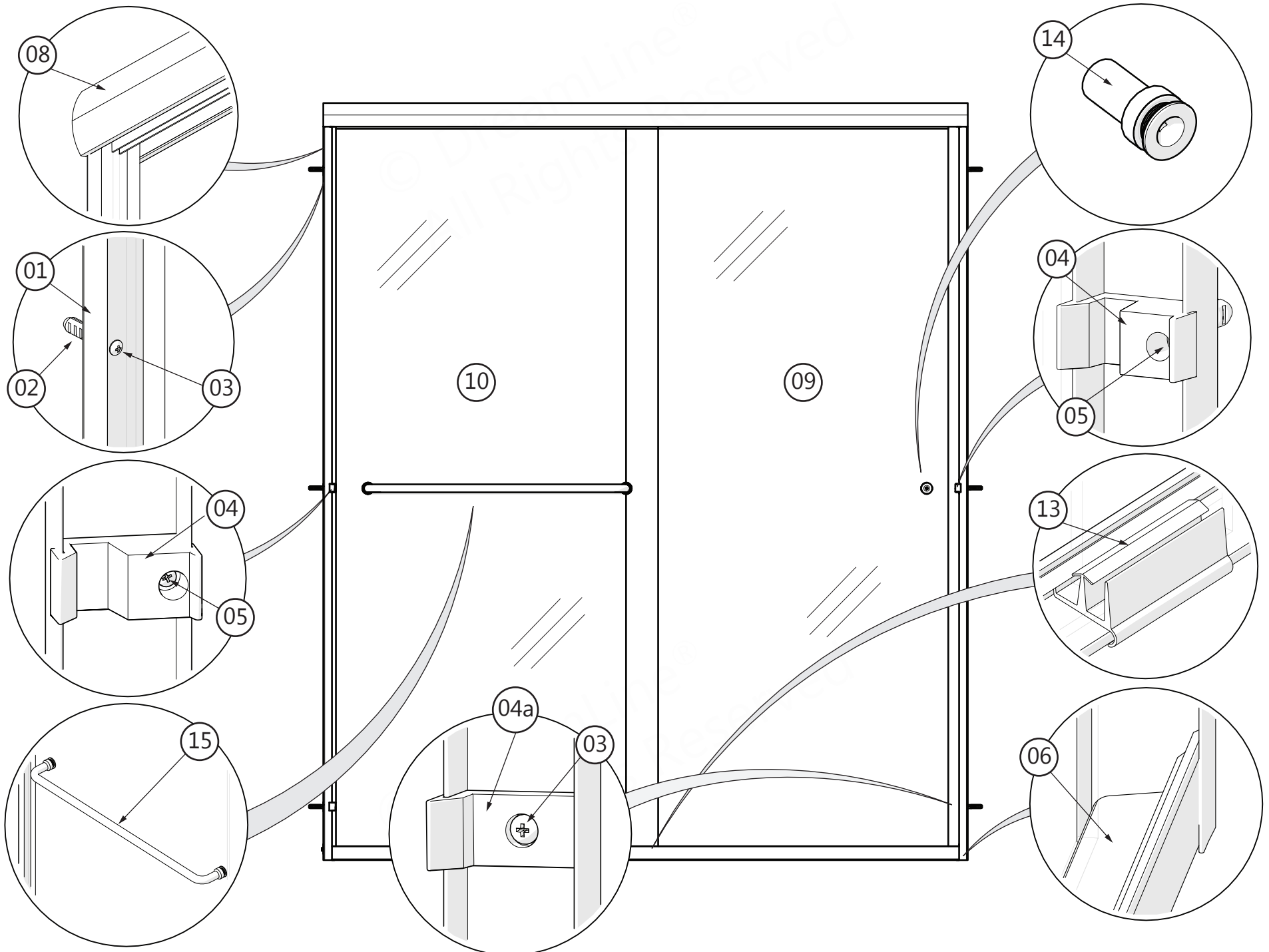
Verify that the correct model size has been ordered; measure the finished opening **before** proceeding with the installation.

Confirm that the finished walls are plumb and the threshold is level and pitched into the shower area.

Use a good quality waterproof, mildew-resistant 100% silicone caulk.

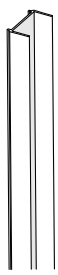
Cover the shower/tub drain with tape prior to installation to prevent the loss of screws or small parts.

Detailed Diagram of Alliance Pro/Alliance Pro LT Door Components



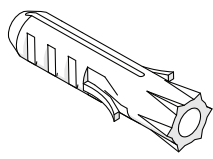
Item List

01



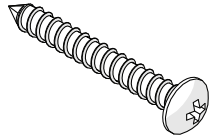
Wall Profile x2

02



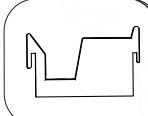
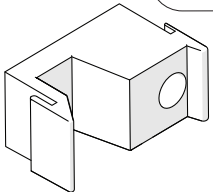
Wall Anchor x6

03



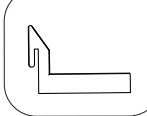
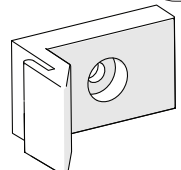
ST 4.2 x 35 mm Truss Head Screw x6

04



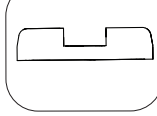
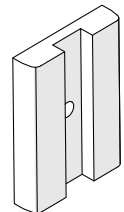
Bumper x2

04a



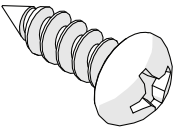
Bottom Bumper x1

04b




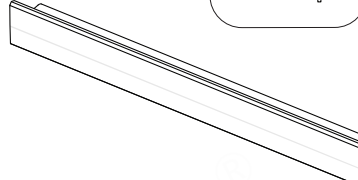
Bumper for S-Curved Glass Only x2

05



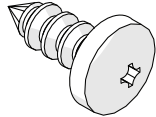
ST 4.0 x 14mm Pan Head Screw x2

06



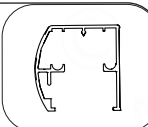
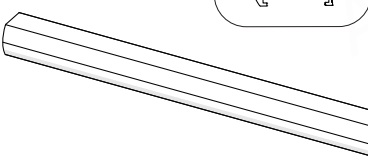
Bottom Profile x1

07



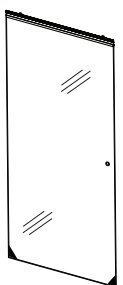
ST 4.0 x 10 mm Pan Head Screw x6

08



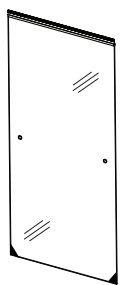
Guide Rail x1

09



Inside Door Glass x1

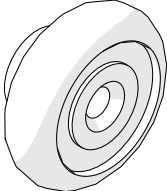
10



Outside Door Glass x1

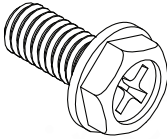
Item List

11



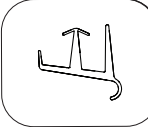
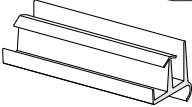
Roller Wheel x4

12



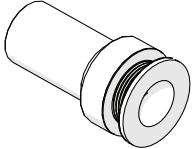
M4 x 10 mm
Wheel Bolt x4

13



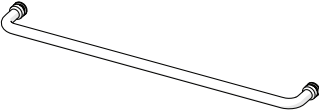
Center Guide x1

14



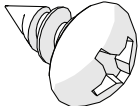
Pull Handle x1

15



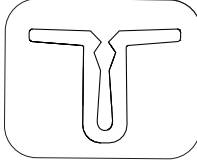
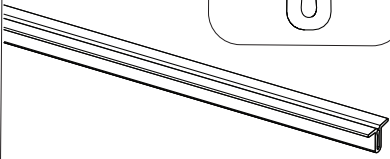
Towel Bar x1

16



ST4.0 x 6mm Pan
Head Screw
(S-Curved Glass Only) x2

17



Anti-Jump Insert x2

Installation Steps

1

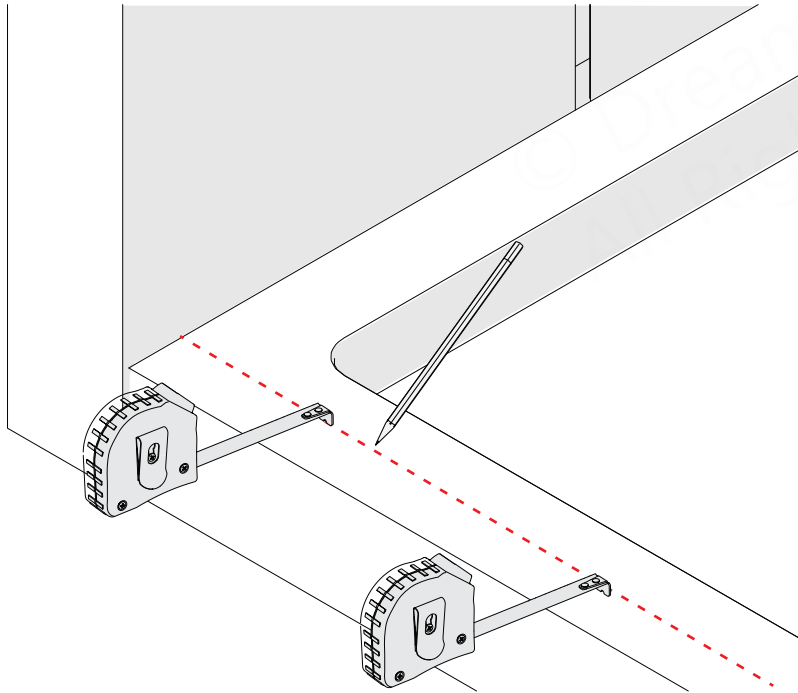


Fig 1a

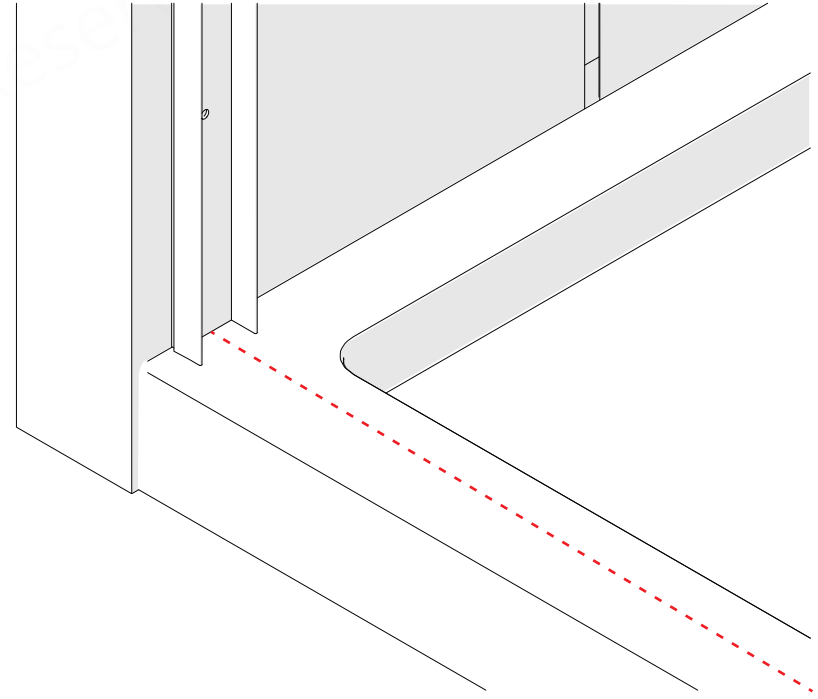
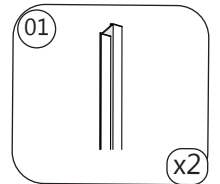


Fig 1b

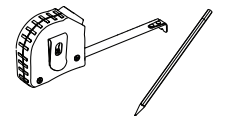
NOTE

Locate and mark a center line on the threshold or tub deck. **Fig 1a** Extend the mark across to both walls. Center the bottoms of both Wall Profiles on the center line. **Fig 1b**

Parts Needed



Tools Needed



2

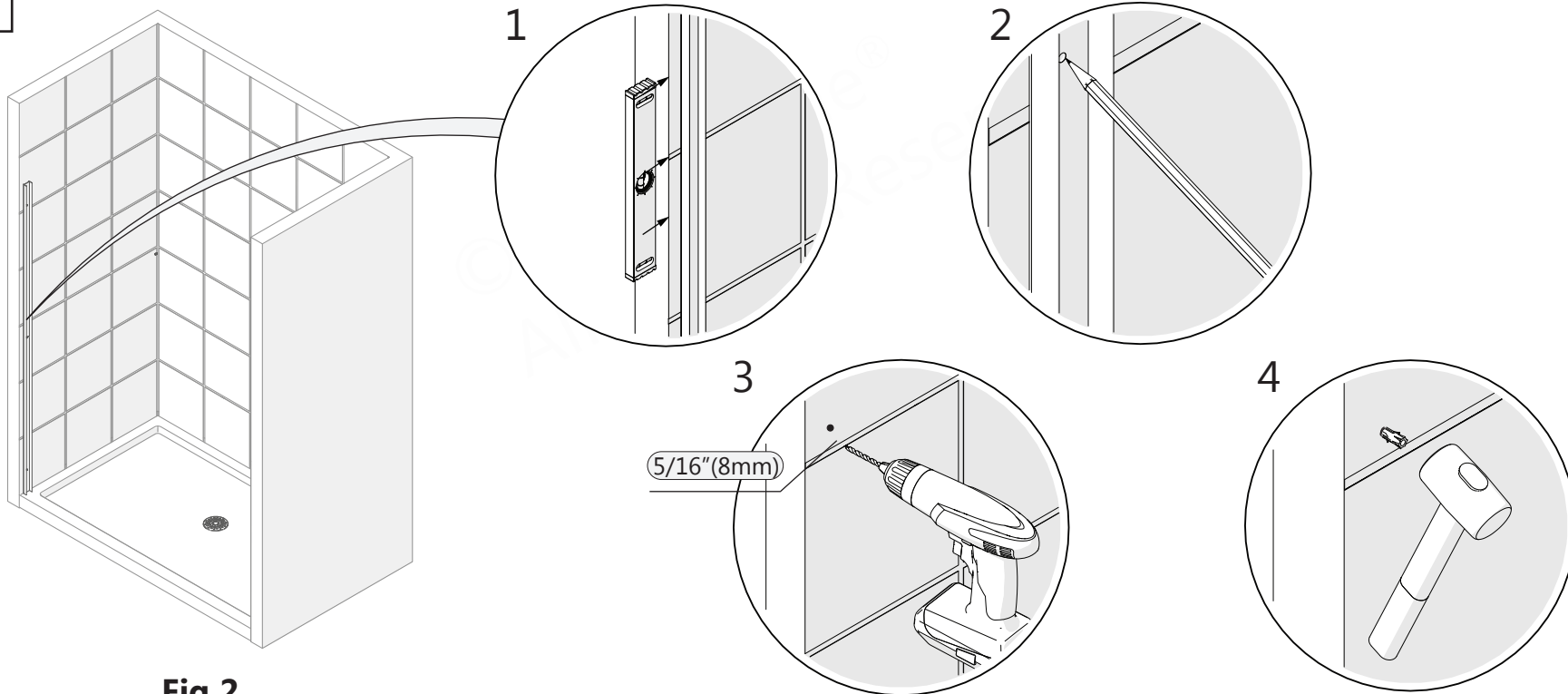


Fig 2



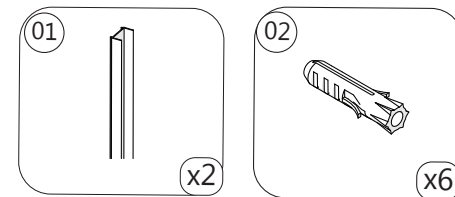
Level (plumb) both **Wall Profiles (#01)** and mark the holes for drilling. Drill three **Ø 5/16" (8mm)** holes on each side wall and insert the **Wall Anchors (#02)**. **Fig 2**

If a stud is present behind the wall: Drill a **Ø9/64" (4mm)** hole up to the stud.



Be sure all pilot holes are the correct size. Always use low torque and steady pressure when securing stainless steel screws to avoid stripping or breaking off the screw heads.

Parts Needed



Tools Needed



3

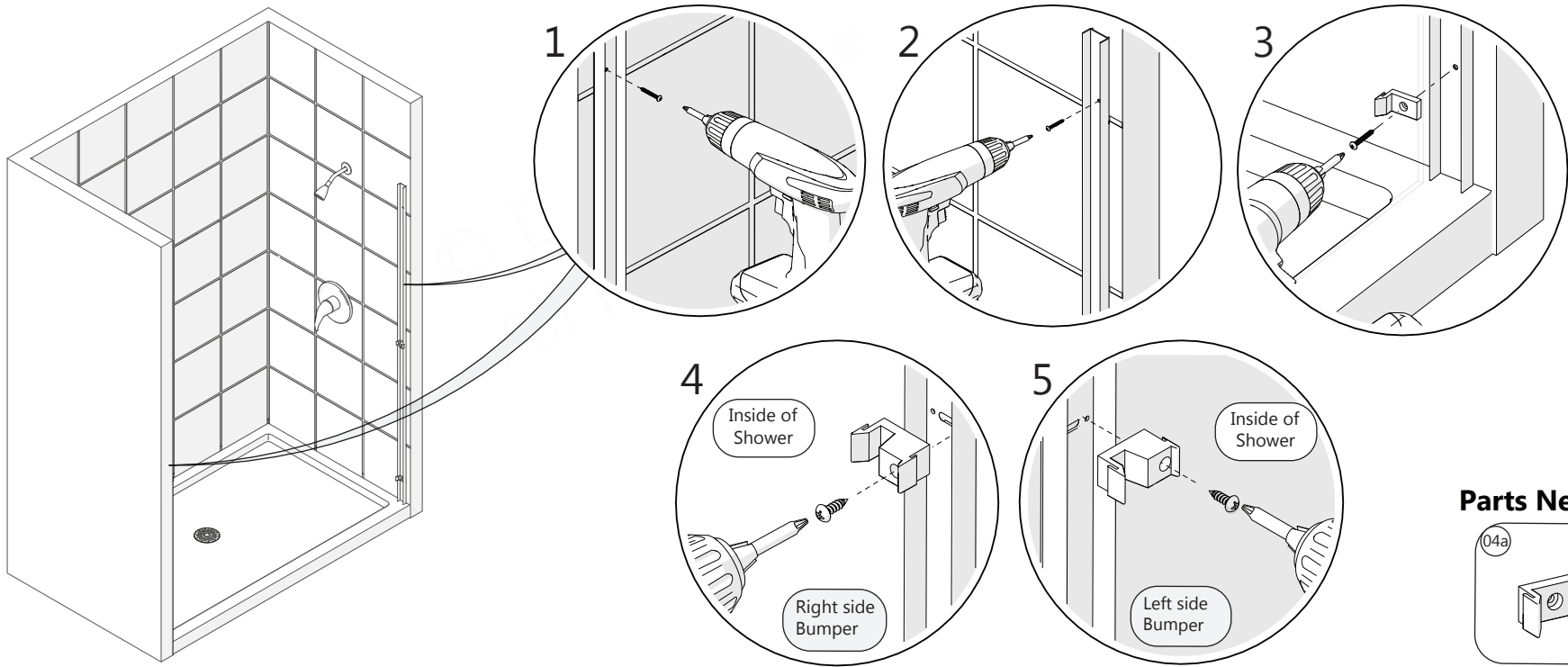


Fig 3

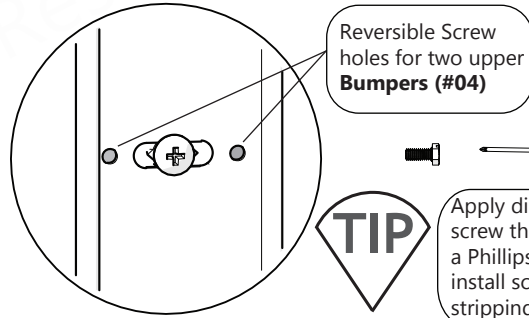
Right-side shower head installation shown as example

NOTE

Install the Wall Profiles using the **ST4.2 x 35mm Truss Head Screws (#03)**. The **Bottom Bumper (#04a)** (**Fig 3.3**) is also installed using the **ST4.2 x 35mm Truss Head Screws (#03)** while installing the **Wall Profile (#01) on the shower head side of the shower**. Install it in the lowest screw hole on the **Wall Profile (#01)**. The remaining **Bumpers (#04)** are installed after both **Wall Profiles (#01)** are installed. The two upper **Bumpers (#04)** are installed using the **ST4.0 x 14mm Pan Head Screw (#05)**. **Fig 3**

TIP

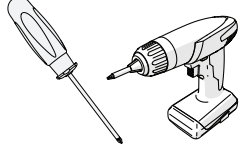
Note the opposite orientation of the two upper **Bumpers (#04)**. The bumper slot for the **Inside Door Glass (#09)** faces the inside of the shower on the shower head side. **Fig 3.4** The bumper slot for the **Outside Door Glass (#10)** faces the outside of the shower on the opposite wall. **Fig 3.5**



Parts Needed

- 04a** **x1**
- 03** **x6**
- 04** **x2**
- 05** **x2**

Tools Needed



TIP Apply dish soap to the screw threads and use a Phillips screwdriver to install screws to avoid stripping the screws

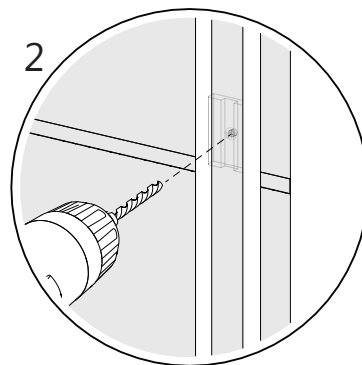
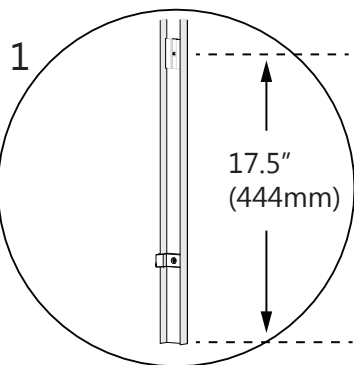
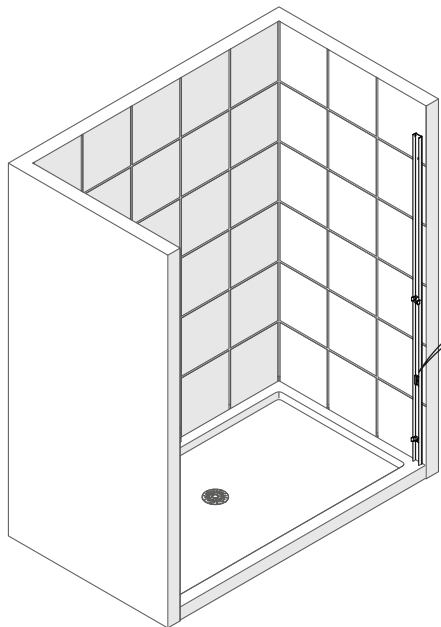
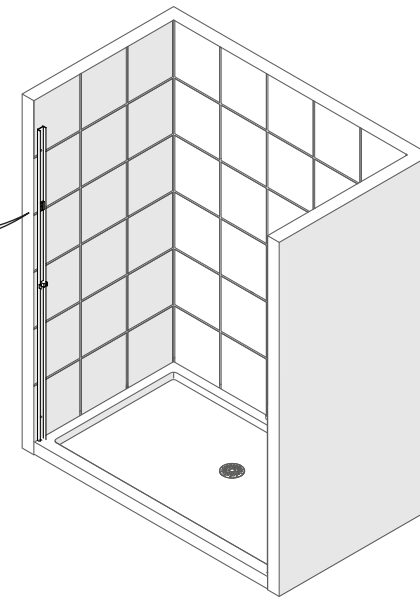
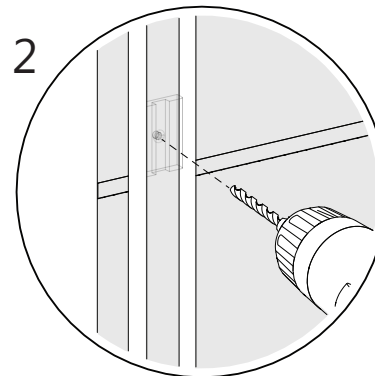
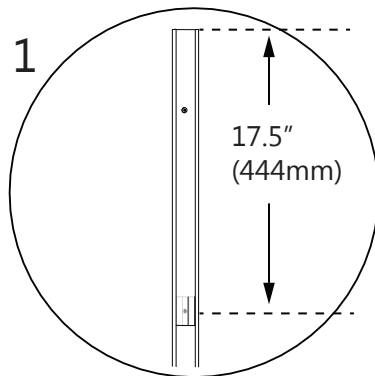
3a



The following Step is for the installation of additional **Bumpers (#4b)** for **S-Curved Glass** only. Please skip this Step if installing any other **Door Glass** option.



Measure **17-1/2" (444mm)** from the top of the left **Wall Profile (#01)** (Or the Wall Profile farthest from the shower head) and mark the center of the profile for drilling. Drill a **7/32" (6mm)** hole only through the **Wall Profile (#01)**.
Fig 3a



Measure **17-1/2" (444mm)** from the bottom of the right **Wall Profile (#01)** (Or the Wall Profile on the shower head side) and mark the center of the profile for drilling. Drill a **7/32" (6mm)** hole only through the **Wall Profile (#01)**.
Fig 3a

Tools Needed

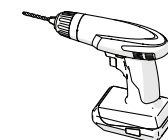


Fig 3a

3b



The following Step is for the installation of additional **Bumpers (#4b)** for **S-Curved Glass** only. Please skip this Step if installing any other **Door Glass** option.



Install both **Bumpers (#04b)** using the **ST4.0 x 6mm Pan Head Screws (#16)** Fig 3b

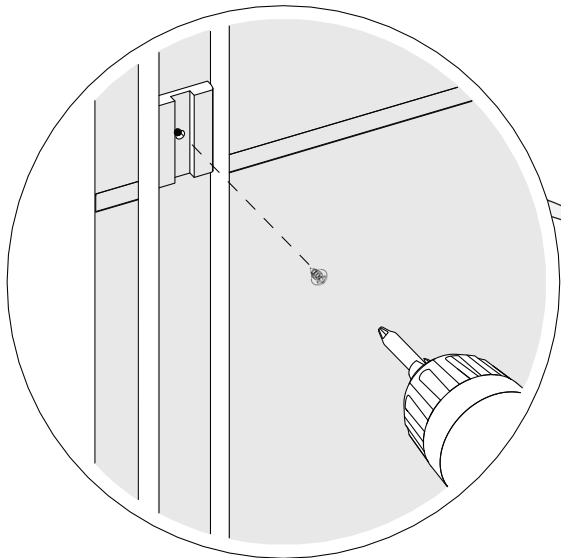
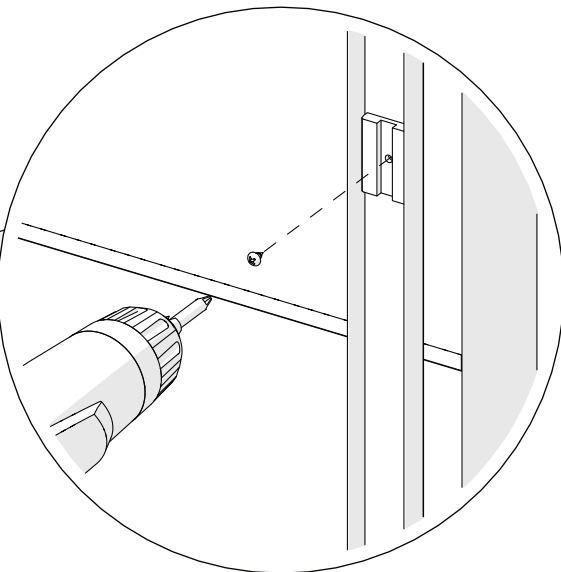
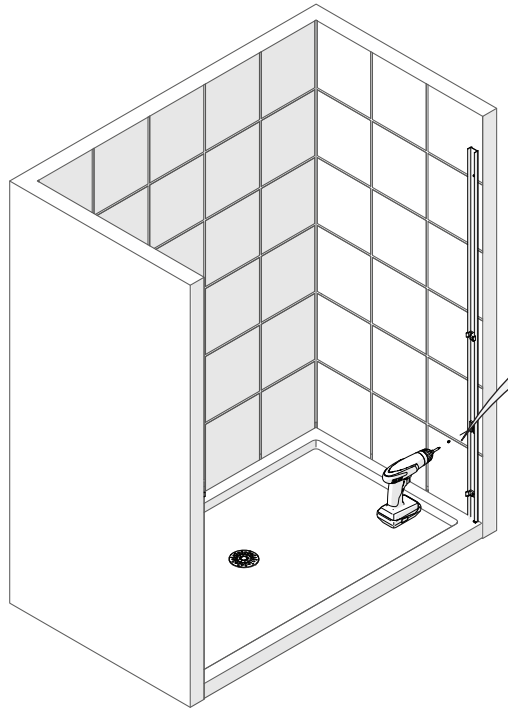
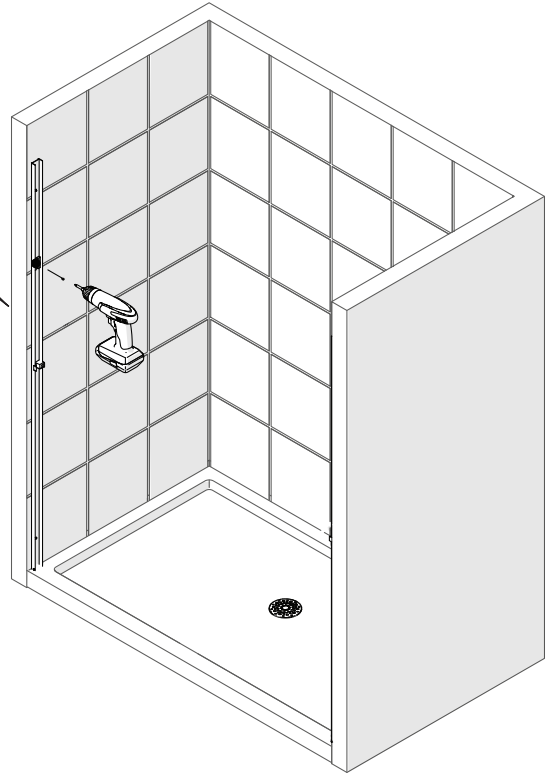
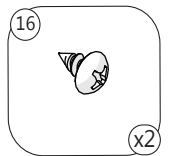
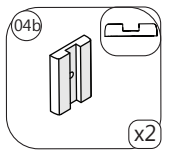


Fig 3b



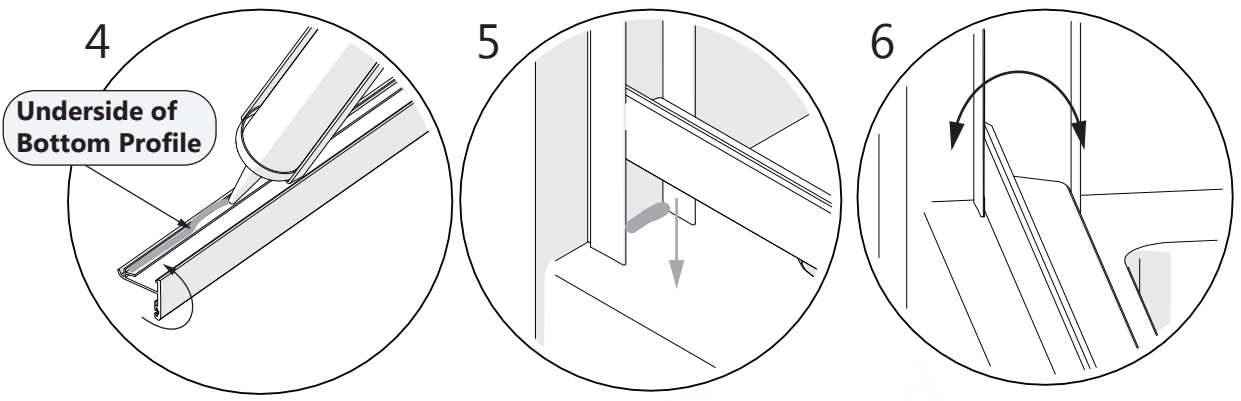
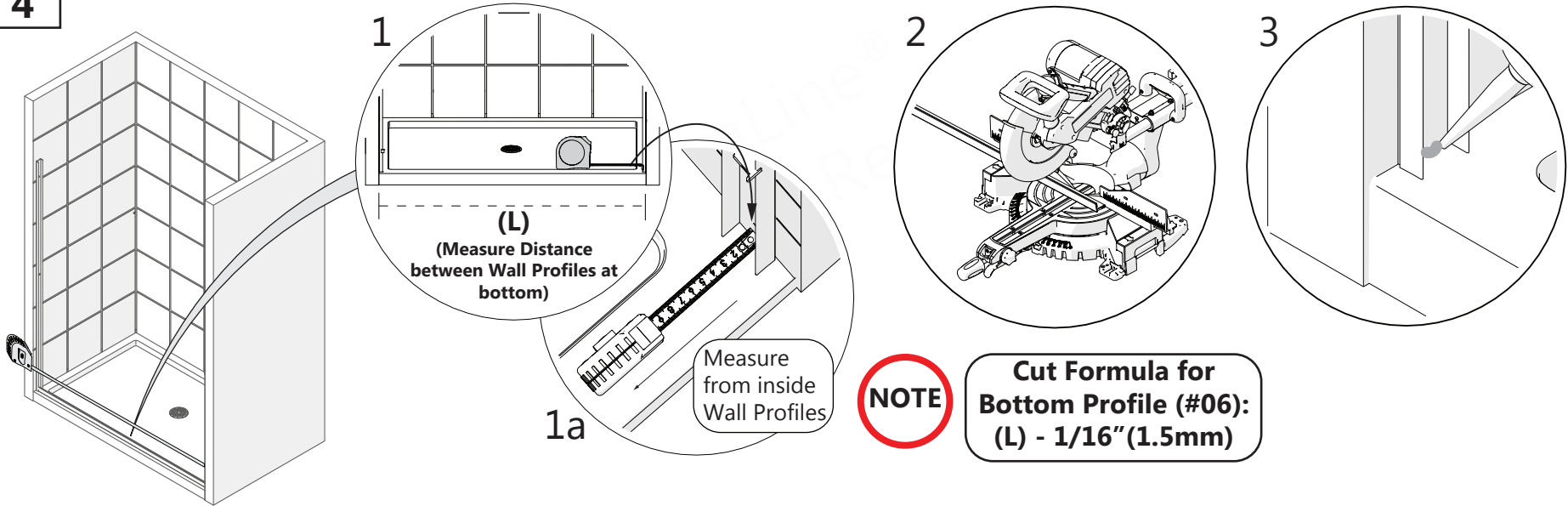
Parts Needed



Tools Needed

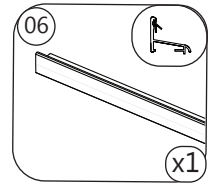


4



Use a metal file to remove any burrs from the **Guide Rail (#08)** or **Bottom Profile (#06)** after cutting.

Parts Needed



Tools Needed

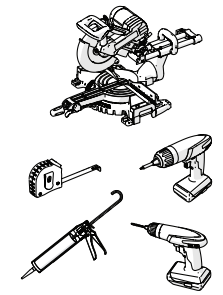
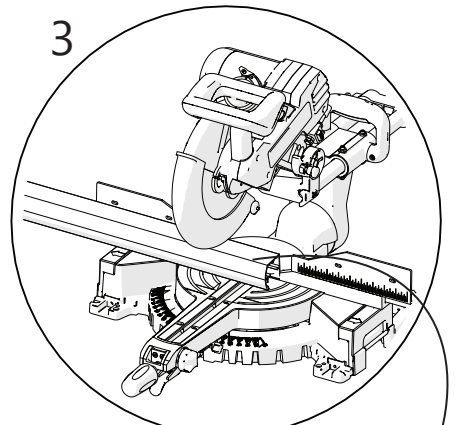
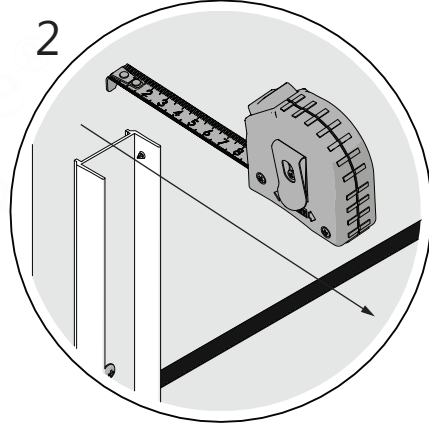
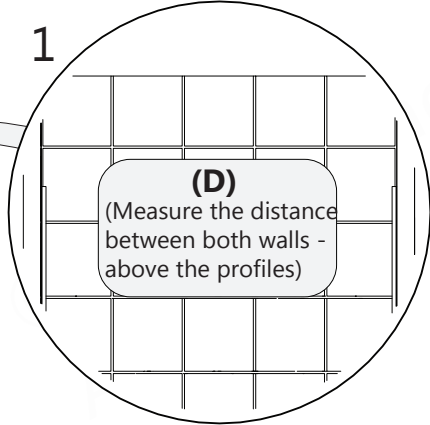
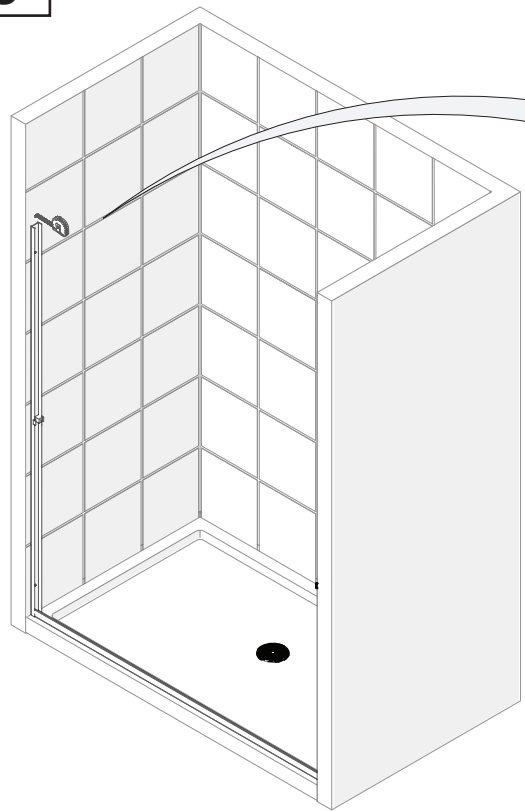


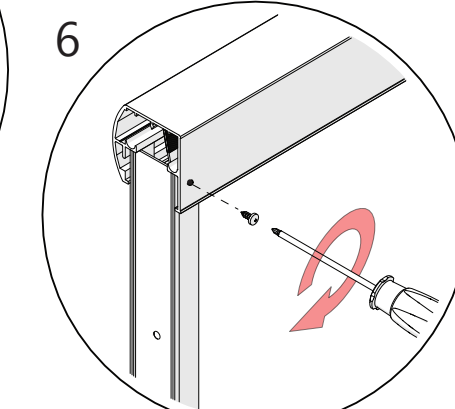
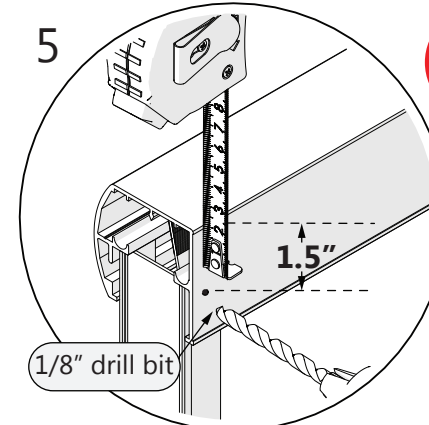
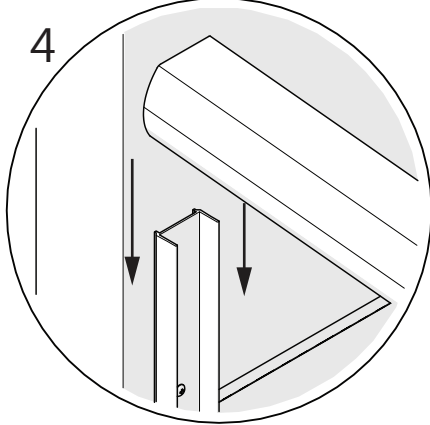
Fig 4

5



NOTE

Cut Formula for Guide Rail (#08):
(D) - 1/16" (1.5mm)



NOTE

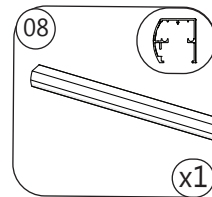
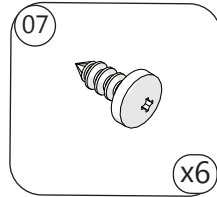
Secure both sides with **ST4.0 x10mm Screws (#07)**



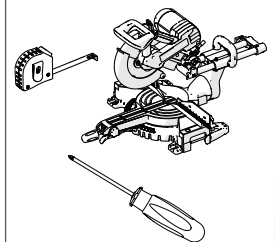
Use a metal file to remove any burrs from the **Guide Rail (#08)** or **Bottom Profile (#06)** after cutting.

Fig 5

Parts Needed



Tools Needed



6

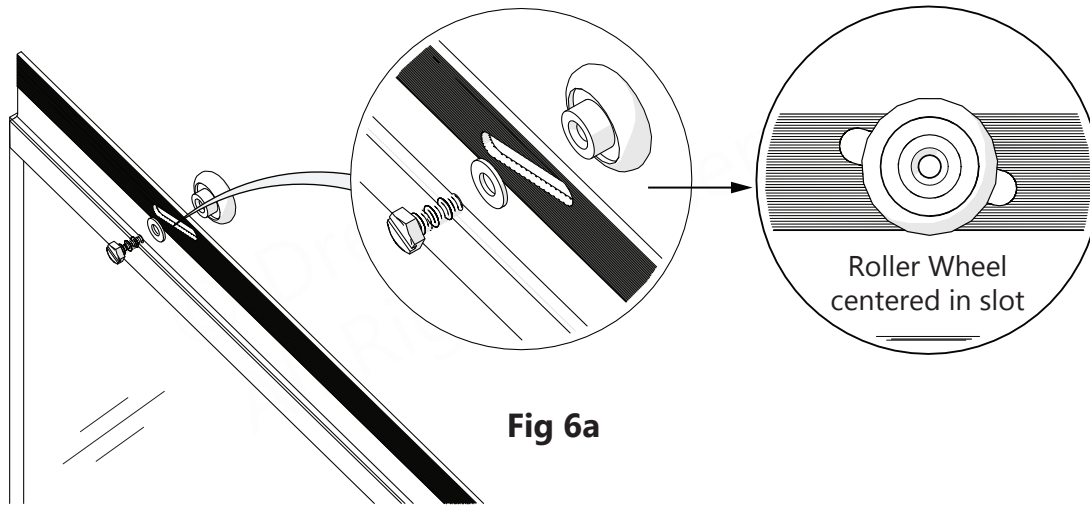


Fig 6a

NOTE

Install all four **Roller Wheels (#11)** at the center of the angled slots on top of both lites of **Door Glass (#09 and #10)** to enable adjustment (if needed). Use the **M4 10mm Wheel Bolts (#12)** to secure the **Roller Wheels (#11)**. **Fig 6a** Note the reverse direction of the **Roller Wheels (#11)** on the Inside and Outside Door Glass. **Fig 6b**

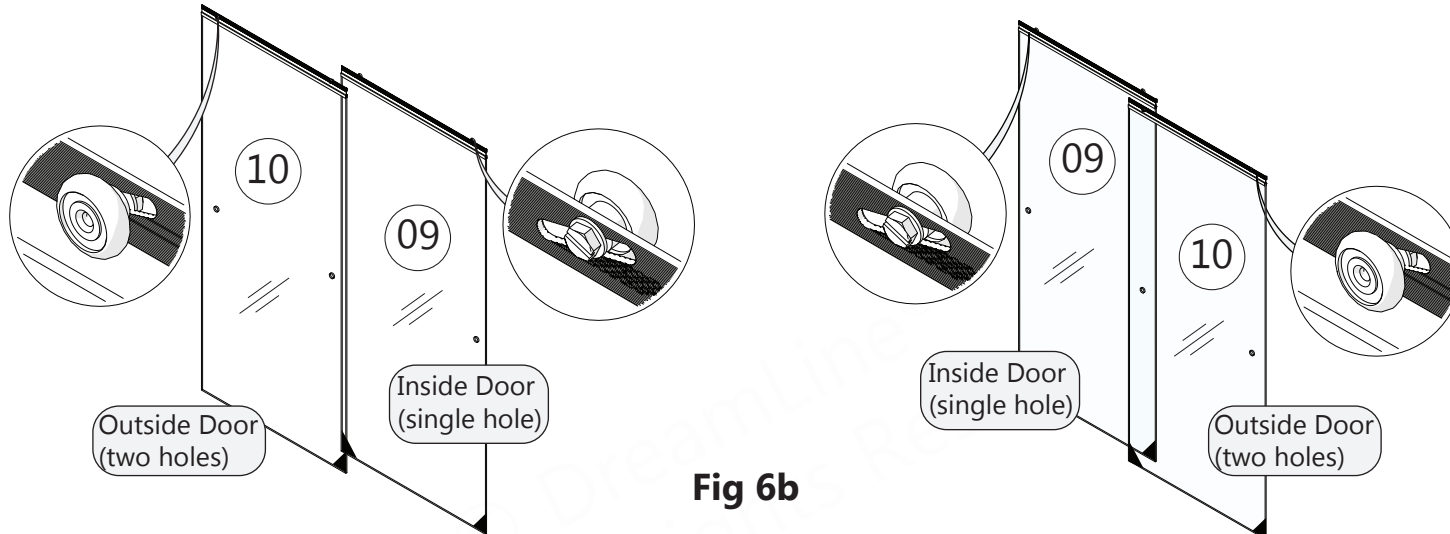


Fig 6b

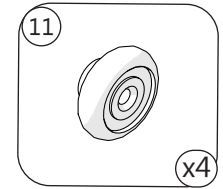
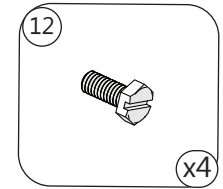
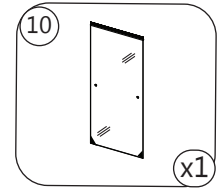
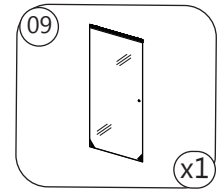
Right-side shower head installation shown as example

Left-side shower head installation shown as example

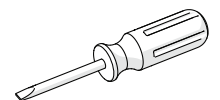
NOTE

The same Door Glass configuration applies for the installation of S-Curved Door Glass.

Parts Needed



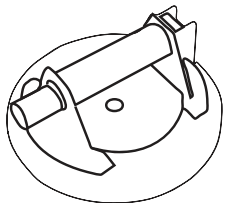
Tools Needed



7



Be extremely careful of the glass edges when handling or moving the door glass. Do not set the glass down on any hard surfaces. Use a glass suction cup when moving glass and leave the corner protectors on the glass until necessary to remove them.



Corner Protector



Important: Place both glass doors in the rear of the shower opening, **Inside Door Glass (#09)** first, followed by the **Outside Door Glass (#10)**. **Be careful to protect the edges of the glass.** Cushion the underside of the glass and between the two glass doors. Be sure that both glass doors and **Roller Wheels (#11)** are oriented in the correct position for installation. **Fig 7**

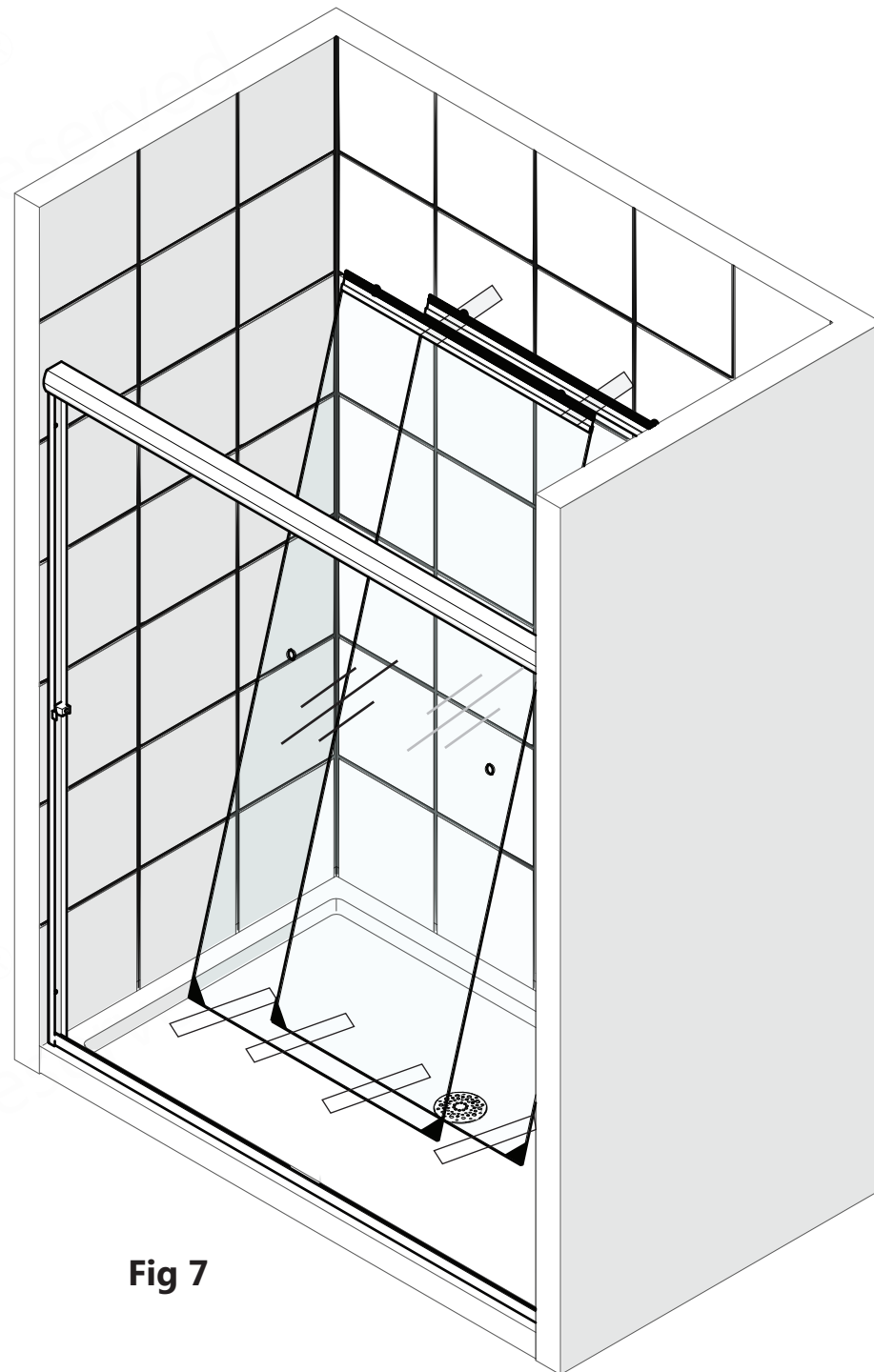
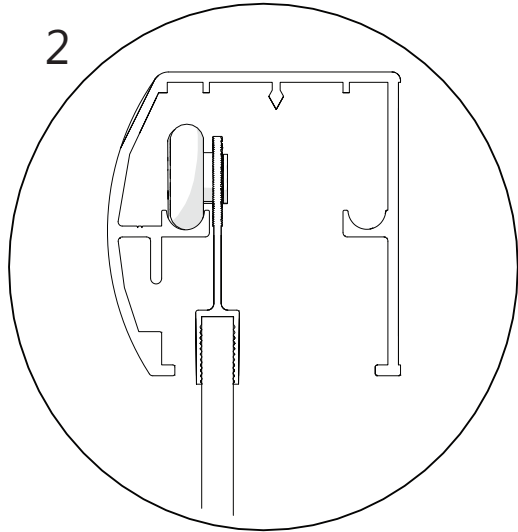
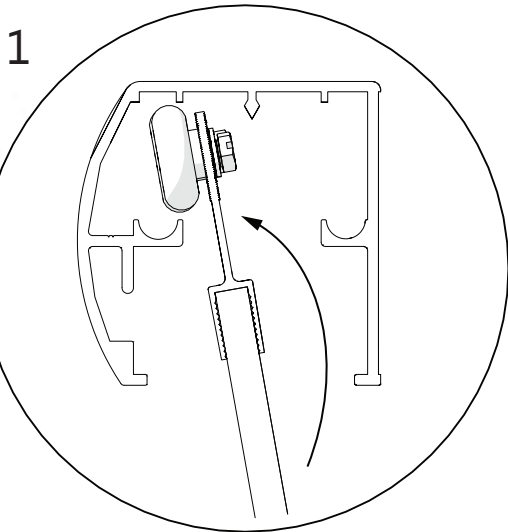
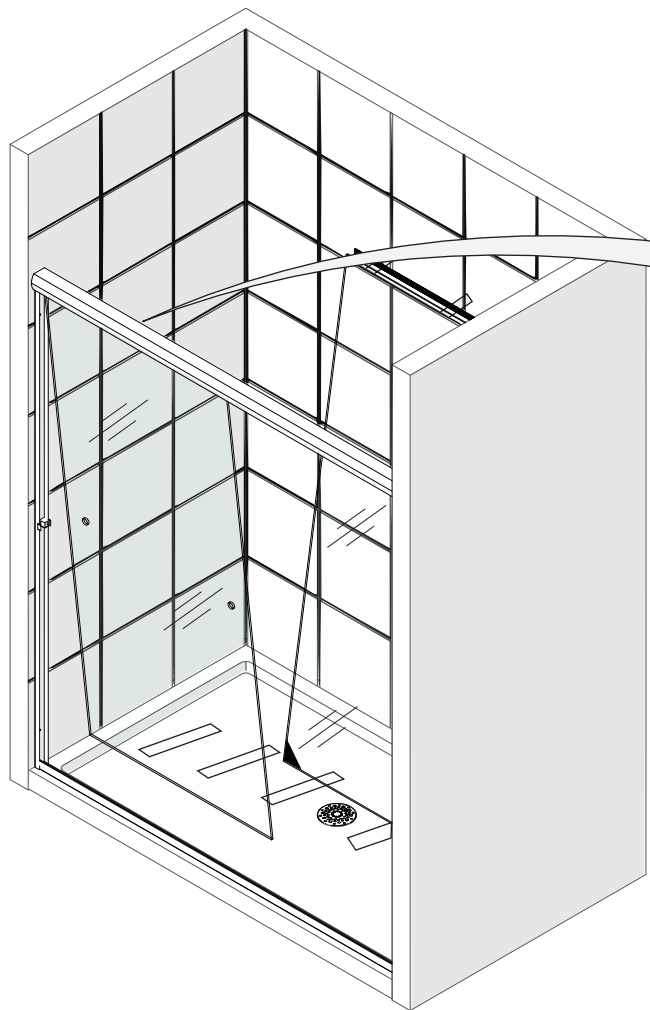


Fig 7

Right-side shower head installation shown as example

8



NOTE

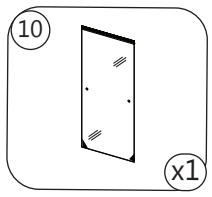
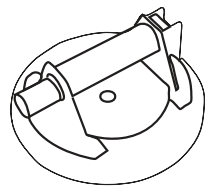
Install the **Outside Door Glass (#10)** first, from outside the shower. Face the **Roller Wheels (#11)** toward the outside of the shower and lift the Door Glass into the track in the **Guide Rail (#08)**. Once the Roller Wheels are securely in the track, allow the Door Glass to hang plumb. **Fig 8**

Fig 8



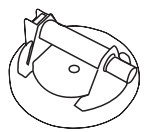
Be extremely careful of the glass edges when handling or moving door glass. Do not set the glass down on any hard surfaces. Use a glass suction cup when moving glass and leave the corner protectors on the glass until necessary to remove them.

Parts Needed



Corner Protector

Tools Needed



9

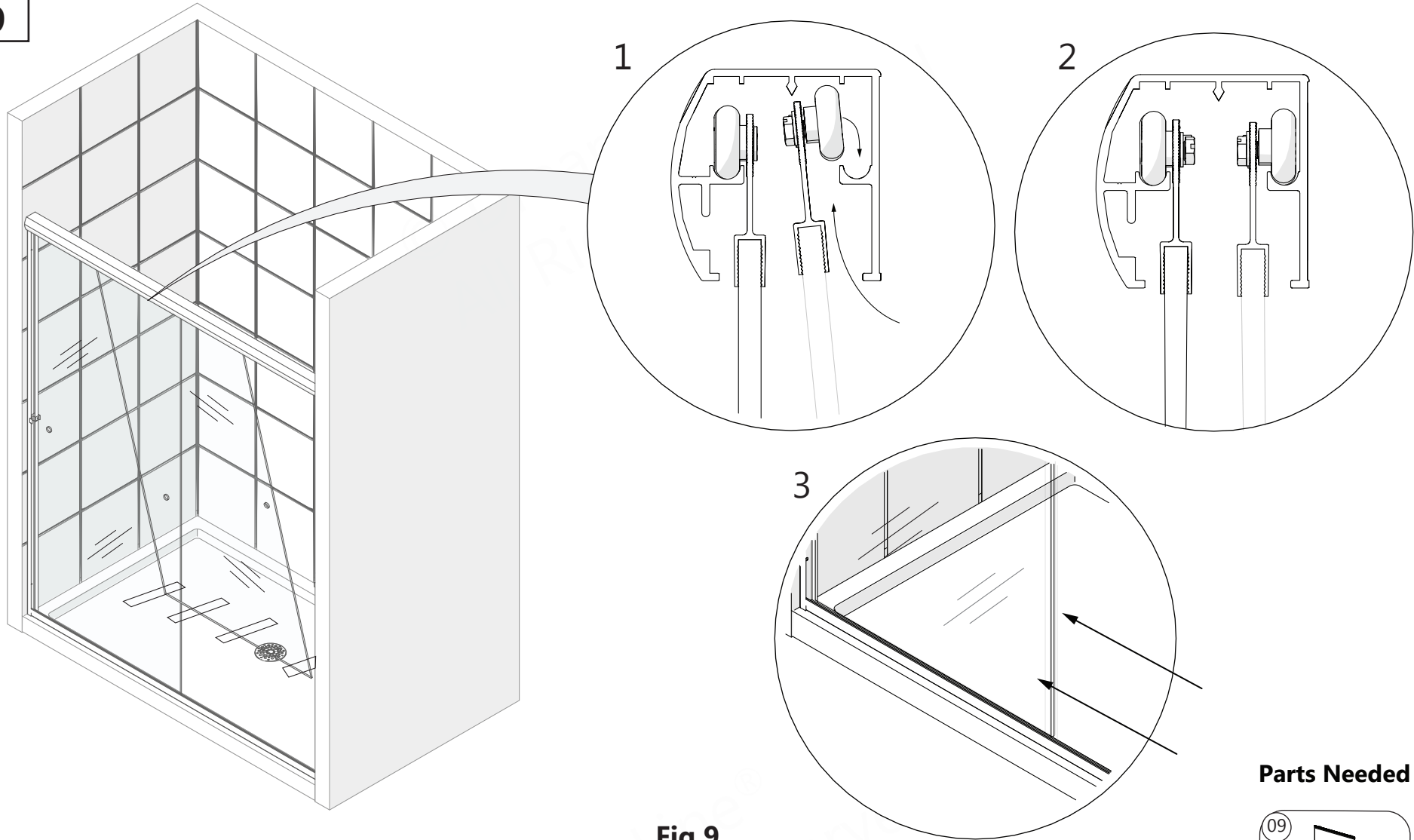
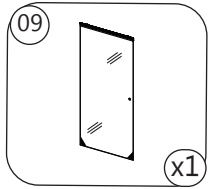


Fig 9

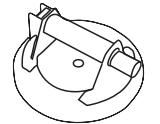
NOTE

From inside the shower, lift the **Inside Door Glass (#09)** (with the Roller Wheels facing the rear of the shower) up into the **Guide Rail (#08)** at an inward angle and place the **Roller Wheels (#11)** into the inside track in the **Guide Rail (#08)**. Allow both doors to hang freely and slide them both to one side of the shower. **Fig 9**

Parts Needed



Tools Needed



10

NOTE

The **Roller Wheels** can be adjusted to better align the vertical edges of the **Door Glass** with the **Wall Profiles** if needed, to prevent leaks. In order to adjust either side of either door up or down, remove that door from the **Guide Rail (#08)**. Use a helper and be careful to protect the glass edges. Adjusting a Roller Wheel **up (higher in the slot)** will **lower** the door glass, and adjusting a Roller Wheel **down (lower in the slot)** will **raise** the door glass. **Fig 10**

Raise Roller Wheel to **lower Door Glass**

Lower Roller Wheel to **raise Door Glass**

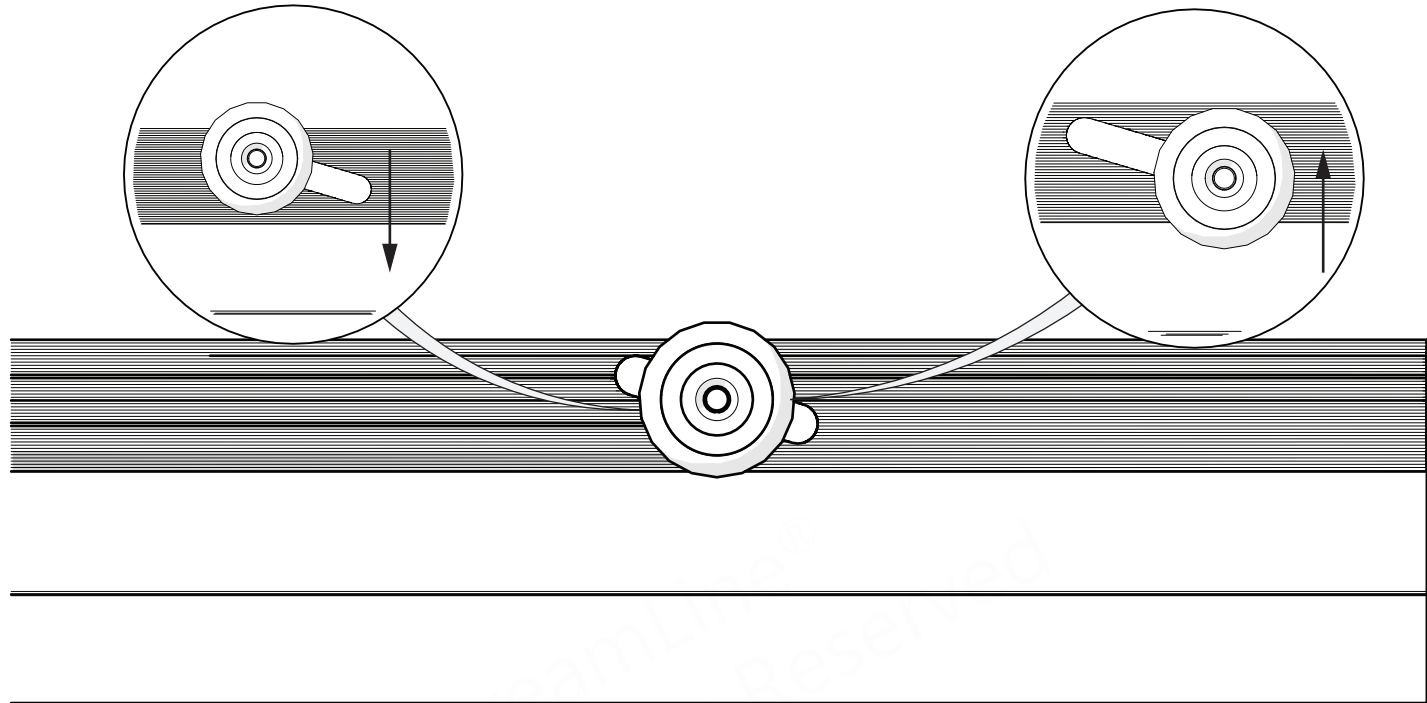
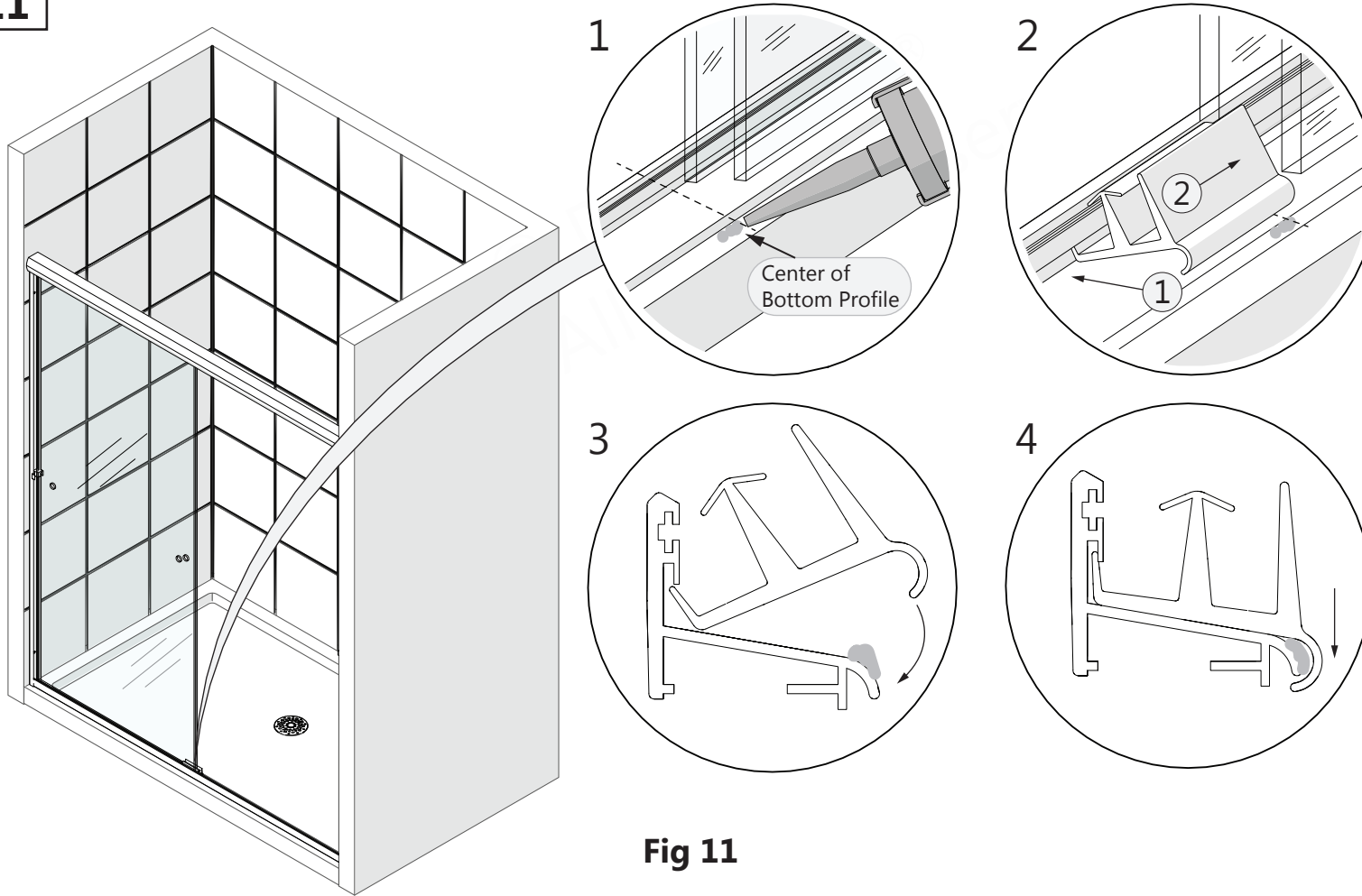


Fig 10

Tools Needed

11



NOTE

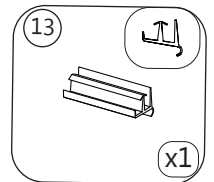
Insert front lip in Bottom Profile, slide to center (over silicone) and snap down

Fig 11

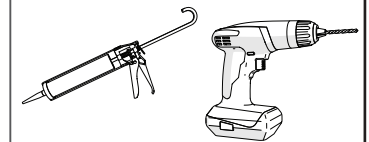
NOTE

Place the **Center Guide (#13)** on the **Bottom Profile (#08)** as shown, to one side of both doors. Insert the front lip of the **Center Guide** into the slot on the inside of the **Bottom Profile** and snap the **Center Guide** down over the inside of the **Bottom Profile**. Move the installed **Center Guide** to the center of the **Bottom Profile**, halfway beneath the door glass. As an option, drill a $\text{Ø } 1/8''$ hole through the **Center Guide** and into the **Bottom Profile**. Install a **#6 x 3/8'' Pan Head Screw (#07)**. Fig 11

Parts Needed



Tools Needed



Right-side shower head installation shown as example

12

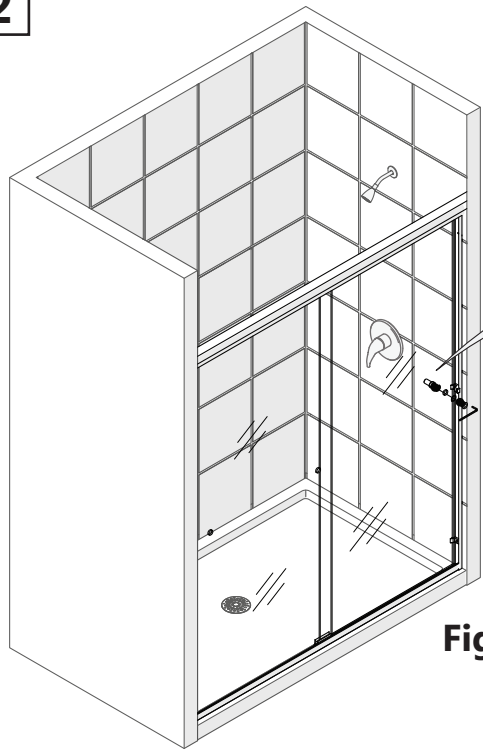
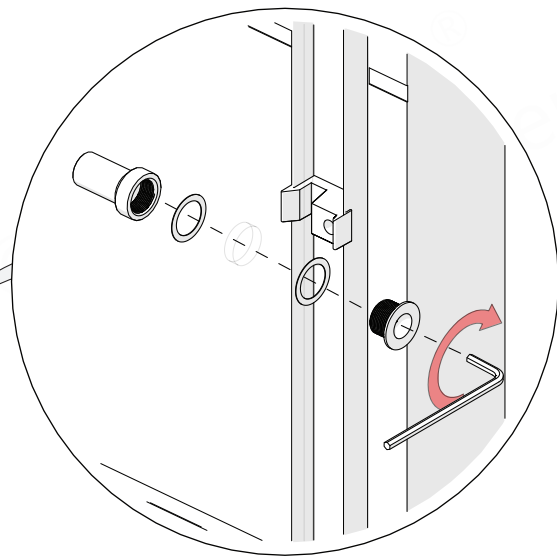


Fig 12a



NOTE

Install the **Knob Pull (#14)** in the single hole in the **Inside Door Glass (#09)** with the knob facing the inside of the shower. The gaskets install on both sides of the glass. The provided Allen wrench can be inserted into the hole in the bolt head to help tighten the knob. **Fig 12a**

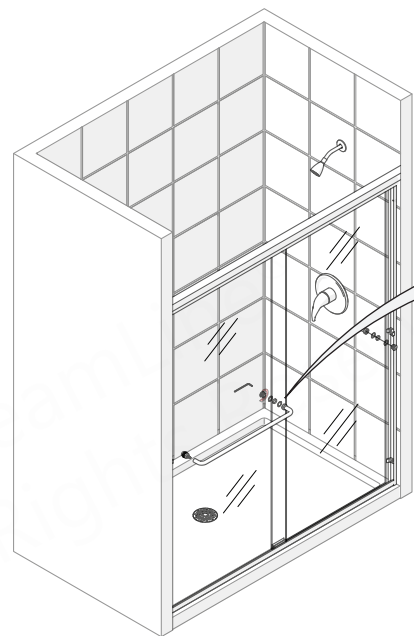
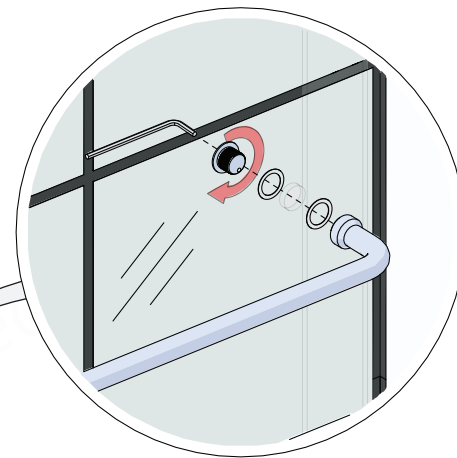


Fig 12b

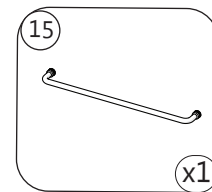
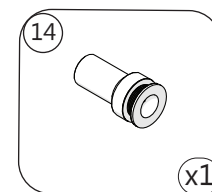


NOTE

Install the **Towel Bar (#14)** through the two holes in the **Outside Door Glass (#10)**, using gaskets on both sides of the glass. The provided Allen wrench can be inserted into the holes in the bolt heads for tightening. **Fig 12b**

Right-side shower head installation shown as example

Parts Needed



Tools Needed



13

Anti-Jump Insert Installation

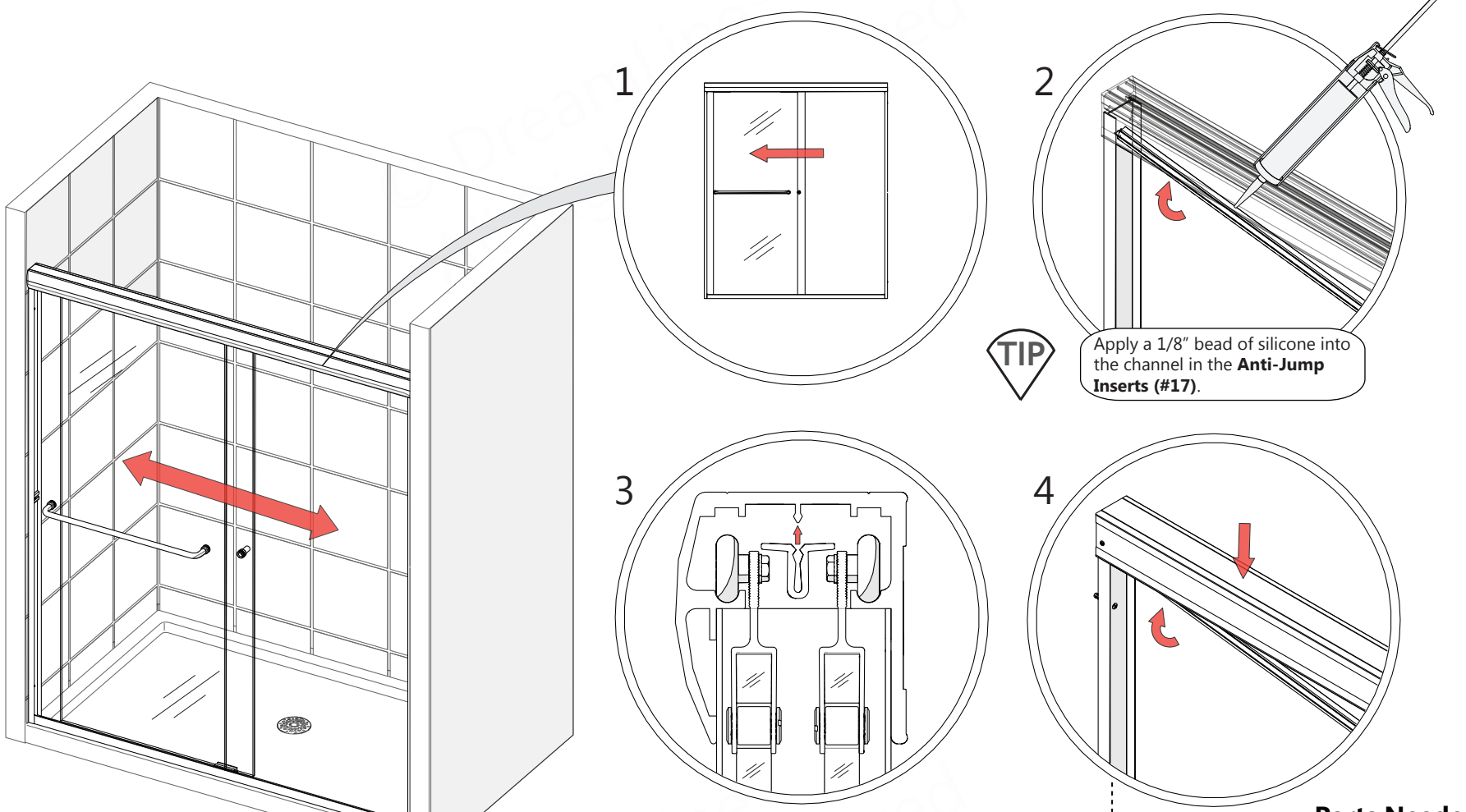


Fig 13

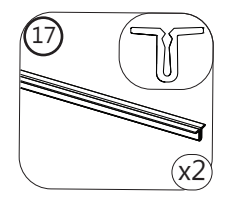
TIP

Apply a 1/8" bead of silicone into the channel in the **Anti-Jump Inserts (#17)**.

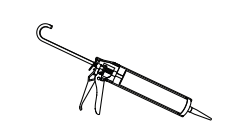
TIP

Apply pressure from the top of **Top Guide Rail (#08)** while attempting to snap the **Anti-Jump Inserts (#17)** into position.

Parts Needed



Tools Needed



NOTE

First, move both panels of **Door Glass (#09/10)** to one side. Next, apply a 1/8" bead of silicone in the **Anti-Jump Insert (#17)** and snap the first insert into position at the end of the **Top Guide Rail (#08)**. Lastly, move both panels of **Door Glass (#09/10)** to the opposite side to allow clearance, and use the same steps to install the second **Anti-Jump Insert (#17)**.

14

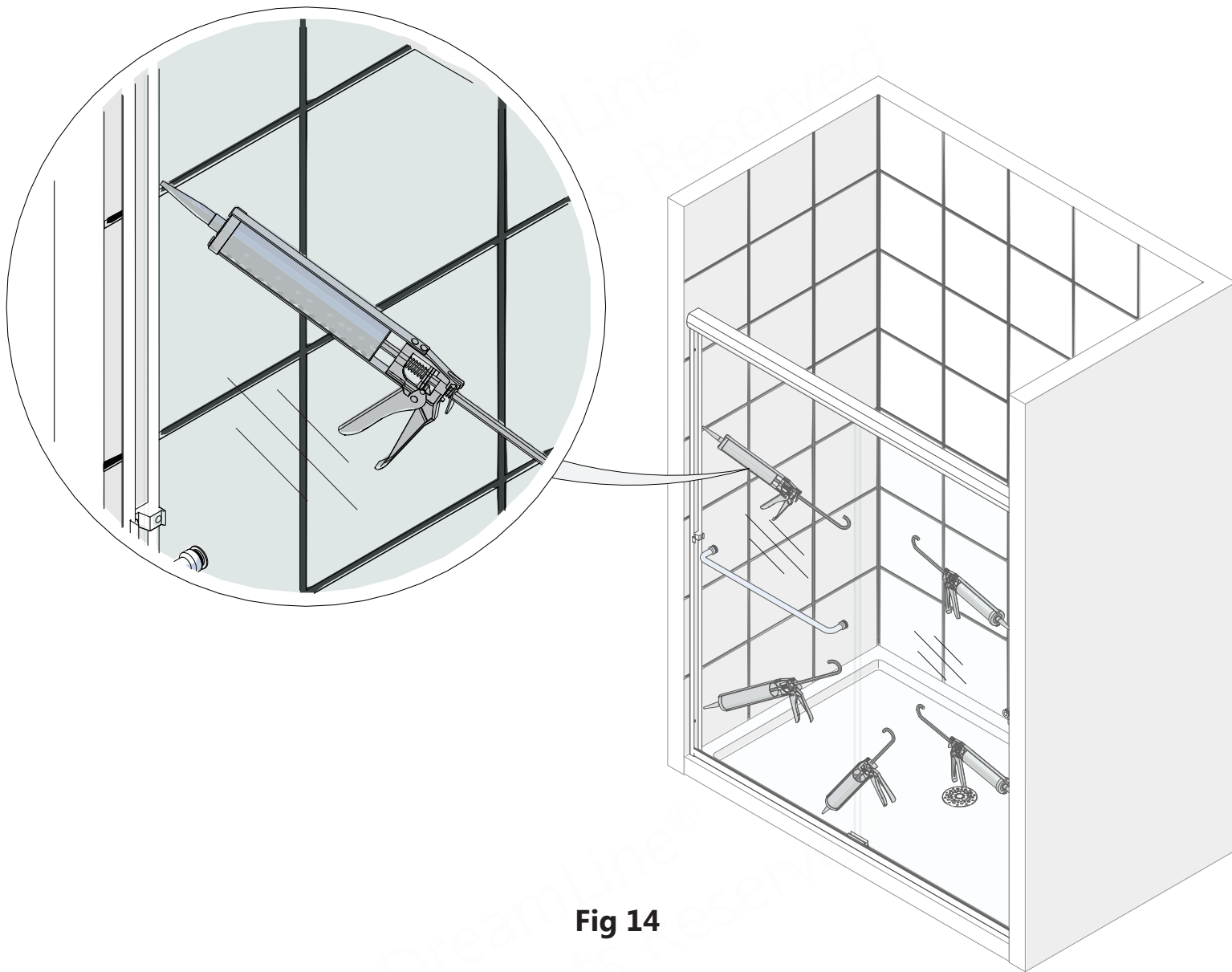
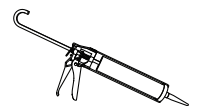


Fig 14

NOTE

Apply a quality, mold-resistant clear silicone to the entire interior perimeter of the shower door. Allow 24 hours for the silicone to set before using the shower. **Fig 14**

Tools Needed



Product Maintenance

BASES and BACKWALLS: To ensure long-lasting life for your acrylic back walls: wipe them off after each use with a soft cloth. To clean the acrylic back walls use non-abrasive sprays or cream based cleaners. Avoid the use of aerosol spray cleaners. Never use abrasive cleansers, metal brushes or scrapers that could permanently scratch or dull the surface.

GLASS: To ensure long-lasting life for your glass shower products: wipe them off after each use with a soft cloth. Rinse and wipe off the glass using either a soft cloth or a squeegee to prevent soap buildup and water spots (Hard water can etch the surface of the glass over time if left to dry). To prevent scratching the surface: never use abrasive cleaners or cleaning products that contain scouring agents. Never use bristle brushes or abrasive sponges that may scratch the surface of the glass.

HARDWARE: To ensure a long-lasting finish: wipe off all metal parts after each use with a soft cloth. Do not use abrasive cleaners or cleaning products containing ammonia, bleach or acid. If accidentally used, rinse the surface as soon as possible to prevent damage to the finish (peeling or corrosion). After cleaning the polished finishes, rinse thoroughly and wipe dry with a soft, clean cloth. Clean stainless steel surfaces at least once a week. When applying stainless steel cleaner or polish to stainless steel hardware, work with the grain (not across the grain). Never use an abrasive sponge or cloth, steel wool or wired brush as these may permanently scratch the surfaces.



To maximize the life of your door, it is important to regularly inspect the glass and other hardware for misalignment, proper attachment, and/or damage. Contact DreamLine® with any questions or concerns.

Alliance Pro/Alliance Pro LT Maintenance Checklist

- Check that the unit is stable, operates smoothly and that the installation is secure.
- Confirm that all screws/bolts are tight.
- Check door glass for smooth operation. Adjust height of door glass if needed (Step 10, Page 17).
- Inspect exposed and concealed glass edges for damage (**damaged glass must be replaced!**)
- Inspect silicone caulk for gaps. Replace silicone as necessary to prevent water leakage.

Troubleshooting

Problem/Symptom	Suggested Solution	Page(s)
Missing Parts	<ul style="list-style-type: none"> •Check all shipping/packaging material for missing parts/components. •If not found, contact DreamLine Customer Support [1-866-731-2244] to order factory part replacement. 	5-7
Water Leakage	<ul style="list-style-type: none"> •Check that the Inside Door Glass closes against the shower head side of the shower. •Check that the vinyl insert is installed properly in the Bottom Profile. •Check that a good quality, mold-resistant silicone has been used around the entire interior perimeter of the shower door. 	10, 11, 20
Door Glass rubbing on threshold	<ul style="list-style-type: none"> •Check that threshold is level. •Check that roller wheels are tight and secure. Carefully remove Door Glass with a helper and adjust Roller Wheels if necessary. 	3, 15-17
Door Glass not closing evenly with wall profiles	<ul style="list-style-type: none"> •Carefully remove the Door Glass with a helper and adjust one or both Roller Wheels to align the edge of the Door Glass with the Wall Profile. 	17
Door Glass not tracking smoothly through Center Guide	<ul style="list-style-type: none"> •Check that the Center Guide is installed correctly. If the Center Guide is moving, see instructions to secure the Center Guide to the Bottom Profile with a screw. 	18
Door Glass not meeting bumpers correctly	<ul style="list-style-type: none"> •Check that all three Bumpers are installed correctly and are installed on the correct sides of the shower opening. 	10



Prior to contacting DreamLine® Customer Service, please have the following information readily available:

- Purchase Order Information
 - Name, PO Number, Dealer/Vendor Name, etc.
- SKU/Model Number (see Inside Cover Page)
- Factory Part Information (see Pages 23-27)

Factory Parts Information

	ALLIANCE PRO (All Models)	FACTORY PARTS INFORMATION	
ITEM #	FACTORY PART NUMBER	ITEM DESCRIPTION	QTY
01	045000X1	Wall Profile	2
02	07552148	Wall Anchor	6
03	090126	ST 4.2 x 35 Pan Head Screw	6
04	07550160	Bumper	2
04a	07550172	Bottom Bumper	1
05	091133	ST 4.0 x 14 mm Pan Head Screw	2
06	045020X1	Bottom Profile	1
07	0931136 (Chrome) / 091137 (Black)	ST 4.0 x 10mm Pan Head Screw	6
08	045160X1	Guide Rail	1
09	See Pages 25-26	Inside Door Glass	1
10	See Pages 25-26	Outside Door Glass	1
11	07352034	Roller Wheel	4
12	098201	M4 x 10mm Phillips Wheel Bolt	4
13	060500005-0078	Center Guide	1
14	0723X052	Pull Handle	1
15	See Page 27	Towel Bar	1

X = Indicates finish color

1 = Chrome

4 = Brushed Nickel

6 = Oil-Rubbed Bronze

9 = Satin Black

Contact Support@DreamLine.com for Part replacement, installation assistance or additional information.

Complete **Warranty** information is available on DreamLine.com.

Factory Parts Information

	ALLIANCE PRO LT (All Models)	FACTORY PARTS INFORMATION	
ITEM #	FACTORY PART NUMBER	ITEM DESCRIPTION	QTY
01	045000 X1	Wall Profile	2
02	07552148	Wall Anchor	6
03	090126	ST 4.2 x 35 Pan Head Screw	6
04	07550160	Bumper	2
04a	07550172	Bottom Bumper	1
05	091136 (Chrome) / 091137 (Black)	ST 4.0 x 12 Pan Head Screw	2
06	045020 X1	Bottom Profile	1
07	0931136 (Chrome) / 091137 (Black)	ST 4.0 x 10mm Pan Head Screw	2
08	045020 X1	Guide Rail	1
09	See Pages 25-26	Inside Door Glass	1
10	See Pages 25-26	Outside Door Glass	1
11	07352034	Roller Wheel	4
12	098201	M4 x 10mm Phillips Wheel Bolt	4
13	060500005-0078	Center Guide	1
14	0723 X052	Pull Handle	1
15	See Page 27	Towel Bar	1

X = Indicates finish color

1 = Chrome

4 = Brushed Nickel

6 = Oil-Rubbed Bronze

9 = Satin Black

Contact **Support@DreamLine.com** for Part replacement, installation assistance or additional information.

Complete **Warranty** information is available on **DreamLine.com**.

Factory Parts Information - Door Glass

Rain Door Glass (1 of 2)		
Inside Glass (1 hole for Pull Handle)		
010090055	Inside Door Panel Glass	68" (1727mm) x 30" (762mm) x .25" (6mm)
010090034	Inside Door Panel Glass	68" (1727mm) x 30" (762mm) x .25" (6mm)
010090041	Inside Door Panel Glass	68" (1727mm) x 24" (610mm) x .25" (6mm)
010090043	Inside Door Panel Glass	68" (1727mm) x 24" (610mm) x .25" (6mm)
010090045	Inside Door Panel Glass	68" (1727mm) x 27" (686mm) x .25" (6mm)
010090047	Inside Door Panel Glass	63" (1600mm) x 30" (762mm) x .25" (6mm)
010090049	Inside Door Panel Glass	65" (1651mm) x 30" (762mm) x .25" (6mm)
010090053	Inside Door Panel Glass	60" (1524mm) x 30" (762mm) x .25" (6mm)
010090054	Inside Door Panel Glass	60" (1524mm) x 30" (762mm) x .25" (6mm)
010094019	Inside Door Panel Glass	74" (1880mm) x 24" (610mm) x .25" (6mm)
010094020	Inside Door Panel Glass	74" (1880mm) x 24" (610mm) x .25" (6mm)
010094022	Inside Door Panel Glass	74" (1880mm) x 28" (711mm) x .25" (6mm)
010094023	Inside Door Panel Glass	74" (1880mm) x 28" (711mm) x .25" (6mm)
010094025	Inside Door Panel Glass	74" (1880mm) x 30" (762mm) x .25" (6mm)
010094026	Inside Door Panel Glass	74" (1880mm) x 30" (762mm) x .25" (6mm)
010094028	Inside Door Panel Glass	78" (1981mm) x 30" (762mm) x .25" (6mm)
010094029	Inside Door Panel Glass	78" (1981mm) x 30" (762mm) x .25" (6mm)
010094031	Inside Door Panel Glass	68" (1727mm) x 36" (914mm) x .25" (6mm)
010094032	Inside Door Panel Glass	68" (1727mm) x 36" (914mm) x .25" (6mm)

Contact **Support@DreamLine.com** for Part replacement, installation assistance or additional information.
Complete **Warranty** information is available on **DreamLine.com**.

Factory Parts Information - Door Glass

Rain Door Glass (2 of 2)		
Outside Door Glass (2 holes for Towel Bar)		
010090025	Outside Door Panel Glass	68" (1727mm) x 30" (762mm) x .25" (6mm)
010090026	Outside Door Panel Glass	68" (1727mm) x 24" (610mm) x .25" (6mm)
010090027	Outside Door Panel Glass	68" (1727mm) x 27" (686mm) x .25" (6mm)
010090028	Outside Door Panel Glass	68" (1727mm) x 28" (711mm) x .25" (6mm)
010090029	Outside Door Panel Glass	63" (1600mm) x 30" (762mm) x .25" (6mm)
010090030	Outside Door Panel Glass	65" (1651mm) x 30" (762mm) x .25" (6mm)
010090052	Outside Door Panel Glass	60" (1524mm) x 30" (762mm) x .25" (6mm)
010094021	Outside Door Panel Glass	74" (1880mm) x 24" (610mm) x .25" (6mm)
010094024	Outside Door Panel Glass	74" (1880mm) x 28" (711mm) x .25" (6mm)
010094027	Outside Door Panel Glass	74" (1880mm) x 30" (762mm) x .25" (6mm)
010094030	Outside Door Panel Glass	78" (1981mm) x 30" (762mm) x .25" (6mm)
010094033	Outside Door Panel Glass	68" (1727mm) x 36" (914mm) x .25" (6mm)
010090055	Outside Door Panel Glass	58" (1473mm) x 30" (762mm) x .25" (6mm)

Contact **Support@DreamLine.com** for Part replacement, installation assistance or additional information.
Complete **Warranty** information is available on **DreamLine.com**.

Factory Parts Information - Door Glass

Clear Door Glass (1 of 2)		
Inside Door Glass (1 hole for Pull Handle)		
010090003	Inside Door Panel Glass	68" (1727mm) x 24" (610mm) x .25" (6mm)
010090005	Inside Door Panel Glass	68" (1727mm) x 27" (686mm) x .25" (6mm)
010090007	Inside Door Panel Glass	68" (1727mm) x 28" (711mm) x .25" (6mm)
010090009	Inside Door Panel Glass	68" (1727mm) x 29" (737mm) x .25" (6mm)
010090011	Inside Door Panel Glass	58" (1473mm) x 30" (762mm) x .25" (6mm)
010090013	Inside Door Panel Glass	60" (1524mm) x 30" (762mm) x .25" (6mm)
010090015	Inside Door Panel Glass	63" (1600mm) x 30" (762mm) x .25" (6mm)
010090017	Inside Door Panel Glass	65" (1651mm) x 30" (762mm) x .25" (6mm)
010090021	Inside Door Panel Glass	53" (1346mm) x 30" (762mm) x .25" (6mm)
010090023	Inside Door Panel Glass	55" (1397mm) x 30" (762mm) x .25" (6mm)
010090001	Inside Door Panel Glass	68" (1727mm) x 30" (762mm) x .25" (6mm)
010094003	Inside Door Panel Glass	74" (1880mm) x 24" (610mm) x .25" (6mm)
010094005	Inside Door Panel Glass	74" (1880mm) x 28" (711mm) x .25" (6mm)
010094007	Inside Door Panel Glass	74" (1880mm) x 30" (762mm) x .25" (6mm)
010094009	Inside Door Panel Glass	78" (1981mm) x 30" (762mm) x .25" (6mm)
010094011	Inside Door Panel Glass	55" (1397mm) x 33" (838mm) x .25" (6mm)
010094013	Inside Door Panel Glass	68" (1727mm) x 33" (838mm) x .25" (6mm)
010094015	Inside Door Panel Glass	55" (1397mm) x 36" (914mm) x .25" (6mm)
010094017	Inside Door Panel Glass	68" (1727mm) x 36" (914mm) x .25" (6mm)

Contact **Support@DreamLine.com** for Part replacement, installation assistance or additional information.
Complete **Warranty** information is available on **DreamLine.com**.

Factory Parts Information - Door Glass (Rain Pt 2 of 2)

Clear Door Glass		
Outside Door Glass (2 holes for Towel Bar)		
010090004	Outside Door Panel Glass	68" (1727mm) x 24" (610mm) x .25" (6mm)
010090006	Outside Door Panel Glass	68" (1727mm) x 27" (686mm) x .25" (6mm)
010090008	Outside Door Panel Glass	68" (1727mm) x 28" (711mm) x .25" (6mm)
010090010	Outside Door Panel Glass	68" (1727mm) x 29" (737mm) x .25" (6mm)
010090012	Outside Door Panel Glass	58" (1473mm) x 30" (762mm) x .25" (6mm)
010090014	Outside Door Panel Glass	60" (1524mm) x 30" (762mm) x .25" (6mm)
010090016	Outside Door Panel Glass	63" (1600mm) x 30" (762mm) x .25" (6mm)
010090018	Outside Door Panel Glass	65" (1651mm) x 30" (762mm) x .25" (6mm)
010090022	Outside Door Panel Glass	53" (1346mm) x 30" (762mm) x .25" (6mm)
010090024	Outside Door Panel Glass	55" (1397mm) x 30" (762mm) x .25" (6mm)
010090002	Outside Door Panel Glass	68" (1727mm) x 30" (762mm) x .25" (6mm)
010094006	Outside Door Panel Glass	74" (1880mm) x 28" (711mm) x .25" (6mm)
010094008	Outside Door Panel Glass	74" (1880mm) x 30" (762mm) x .25" (6mm)
010094010	Outside Door Panel Glass	78" (1981mm) x 30" (762mm) x .25" (6mm)
010094012	Outside Door Panel Glass	55" (1397mm) x 33" (838mm) x .25" (6mm)
010094014	Outside Door Panel Glass	68" (1727mm) x 33" (838mm) x .25" (6mm)
010094016	Outside Door Panel Glass	55" (1397mm) x 36" (914mm) x .25" (6mm)
010094018	Outside Door Panel Glass	68" (1727mm) x 36" (914mm) x .25" (6mm)

Contact **Support@DreamLine.com** for Part replacement, installation assistance or additional information.
Complete **Warranty** information is available on **DreamLine.com**.

Factory Parts Information - Door Glass

Obscure Door Glass		
Inside Door Panel Glass		
010090037	Inside Door Panel Glass	68" (1727mm) x 30" (762mm) x .25" (6mm)
010090039	Inside Door Panel Glass	68" (1727mm) x 30" (762mm) x .25" (6mm)
010094034	Inside Door Panel Glass	74" (1880mm) x 30" (762mm) x .25" (6mm)
Obscure Door Glass		
Outside Door Panel Glass		
010094035	Outside Door Panel Glass	74" (1880mm) x 30" (762mm) x .25" (6mm)
010094036	Outside Door Panel Glass	74" (1880mm) x 30" (762mm) x .25" (6mm)
010090051	Outside Door Panel Glass	68" (1727mm) x 30" (762mm) x .25" (6mm)

S-Curved Door Glass		
Inside Door Panel Glass		
010094038	Inside Door Panel Glass	68" (1727mm) x 33" (838mm) x .25" (6mm)
010094042	Inside Door Panel Glass	74" (1880mm) x 33" (838mm) x .25" (6mm)
S-Curved Door Glass		
Outside Door Panel Glass		
010094040	Outside Door Panel Glass	68" (1727mm) x 33" (838mm) x .25" (6mm)
010094044	Outside Door Panel Glass	74" (1880mm) x 33" (838mm) x .25" (6mm)

Contact Support@DreamLine.com for Part replacement, installation assistance or additional information.
Complete **Warranty** information is available on DreamLine.com.

Factory Parts Information - Towel Bars

TOWEL BARS		FACTORY PARTS INFORMATION	
ITEM #	FACTORY PART NUMBER	ITEM DESCRIPTION	QTY
15	0723 <u>X</u> 055	18" Towel Bar	1
15	0723 <u>X</u> 053	24" Towel Bar	1
15	0723 <u>X</u> 056	27" Towel Bar	1
X Indicates finish color:			
1 = Chrome			
4 = Brushed Nickel			
6 = Oil-Rubbed Bronze			
9 = Satin Black			

Contact Support@DreamLine.com for Part replacement, installation assistance or additional information.
 Complete **Warranty** information is available on DreamLine.com.

NOTES

NOTES



TEL: 866-731-2244
FAX: 866-857-3638
DREAMLINE.COM



For more information on DreamLine® Shower Doors and Enclosures please visit **DreamLine.com**