

Vanity Installation Guide

Model #: VFFS482234R

Included With Vanity & Basin:

- Vanity Countertop, Length And Sink Quantities As Required
- Vanity 3” Backsplash Length as Required
- Vanity Handles, Knobs and Hardware as Required
- Vanity Adjustable Feet (2)
- Vanity Countertop Corner Cushion Pads “Installed” (4 Pcs)
- Vanity Optional Mirror(s) Quantities as Required
- Basin “L” Type Attachment Fastening Clips, Threaded Flat Head Screws w/ Nuts (2 of each)

REQUIRED TOOLS NOT IN BOX



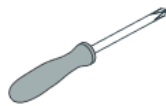
Tape measure



Pencil



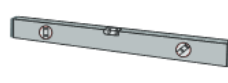
Electric Drill



Phillips Screwdriver



Adjustable Wrench



Spirit Level



Silicone sealant

Confirmation:

Confirm and inspect the Vanity and Basin size, quantities and model numbers within 48 hours
Confirm and inspect the Vanity and Basin parts list within 48 hours

Step 1: Prepare Countertop:

On a clean flat surface carefully set the countertop with top facing down, and the underside facing up. This type basin is bottom mounted and attached to the underside of the countertop.

Step 2: Layout Basin:

Prior to mounting the basin, mark out matching centerlines on the underside of the countertop opening, and the basin rim edges four (4) locations each. Layout the two (2) fastening screws onto the underside of the countertop and marked. Layout all locations as per fastening drawing.

Step 3: Installing Basin Attachment Fasteners:

Once the two (2) fastening screw locations have been confirmed and marked, set the fastening screws permanently in place using a heavy weight epoxy compound (not included). Let epoxy cure as recommended (minimum 24hrs).

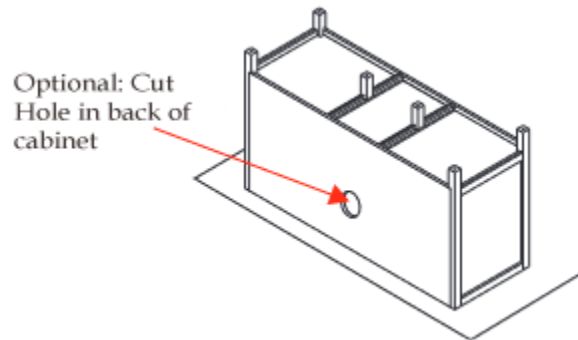
Step 4: Installing Basin:

After the epoxy curing time has been completed, install a bead of flexible waterproof adhesive cement (not included) around the upper outer edge of the basin, set the basin down in place using the matching centerlines marked on the countertop opening and basin rim edge. Once the basin has been set in place, install the “L” type attachment fastening clips over the screws and onto the basin rim, turned up against the bottom of the countertop and secured using the supplied two (2) fastening nuts.

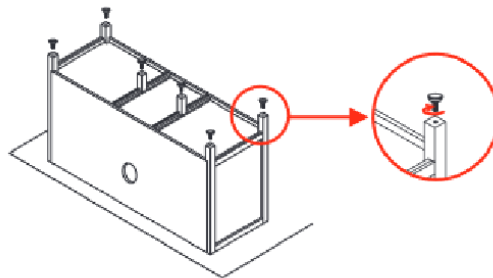
Note: Before tightening the basin down completely, confirm the basin is properly located with the opening of the countertop.

Step 5: Installing Vanity:

Set the vanity in its location and secure as needed. Confirm all rough plumbing is in place.

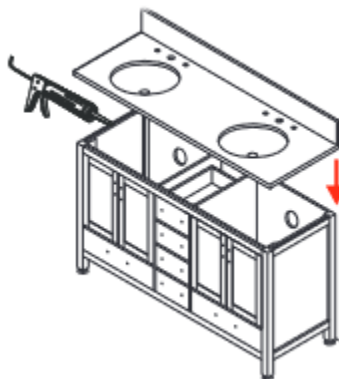


Install adjustable feet (4)



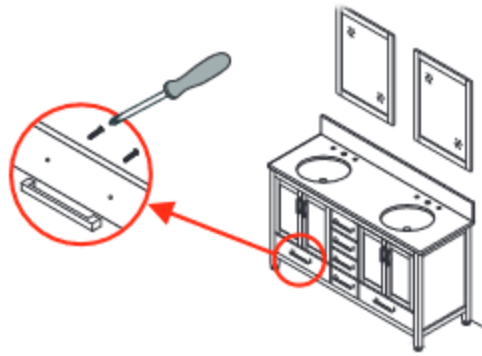
Step 6: Installing Countertop:

After vanity has been installed in its location, seal around the top edge of the cabinet with clear silicone sealant. Set the complete countertop, basin and faucet onto the vanity.



Note: Confirm your faucet and drain choice will accommodate the available vanity and countertop Installation and access space provided.
While transporting the countertop lift and carry On-End in the Vertical position.

Step 7: install the handles:



Remove all handles from the inside the cabinet doors and drawers and reinstall outside the cabinet doors.

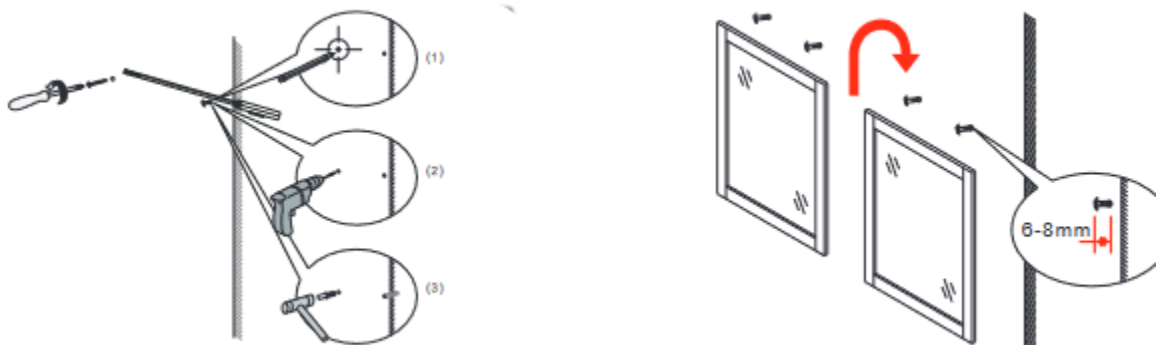
Note: Do not over-tighten when reattaching handles.

Step 8: Installing Countertop Backsplash:

Install the countertop backsplash after vanity and countertop are securely in place.

Step 9: Installing Optional Mirror(s):

Installing the mirror(s): Installing the screws and wall anchors



CAUTION:

Handle All Parts With Care All Local Plumbing Codes Apply

Read All Instruction Before Installing

Do Not Over-Tighten The Basin “L” type attachment fastening clips

While Lifting Or Transporting The Countertop Carry “On-End In The Vertical Position”

Note: If The Countertop Is Lifted or Transported In A “Flat Horizontal Position” Its Own Weight Can Cause Damage Or Breakage!

HOW TO ADJUST HINGES (if required)

