


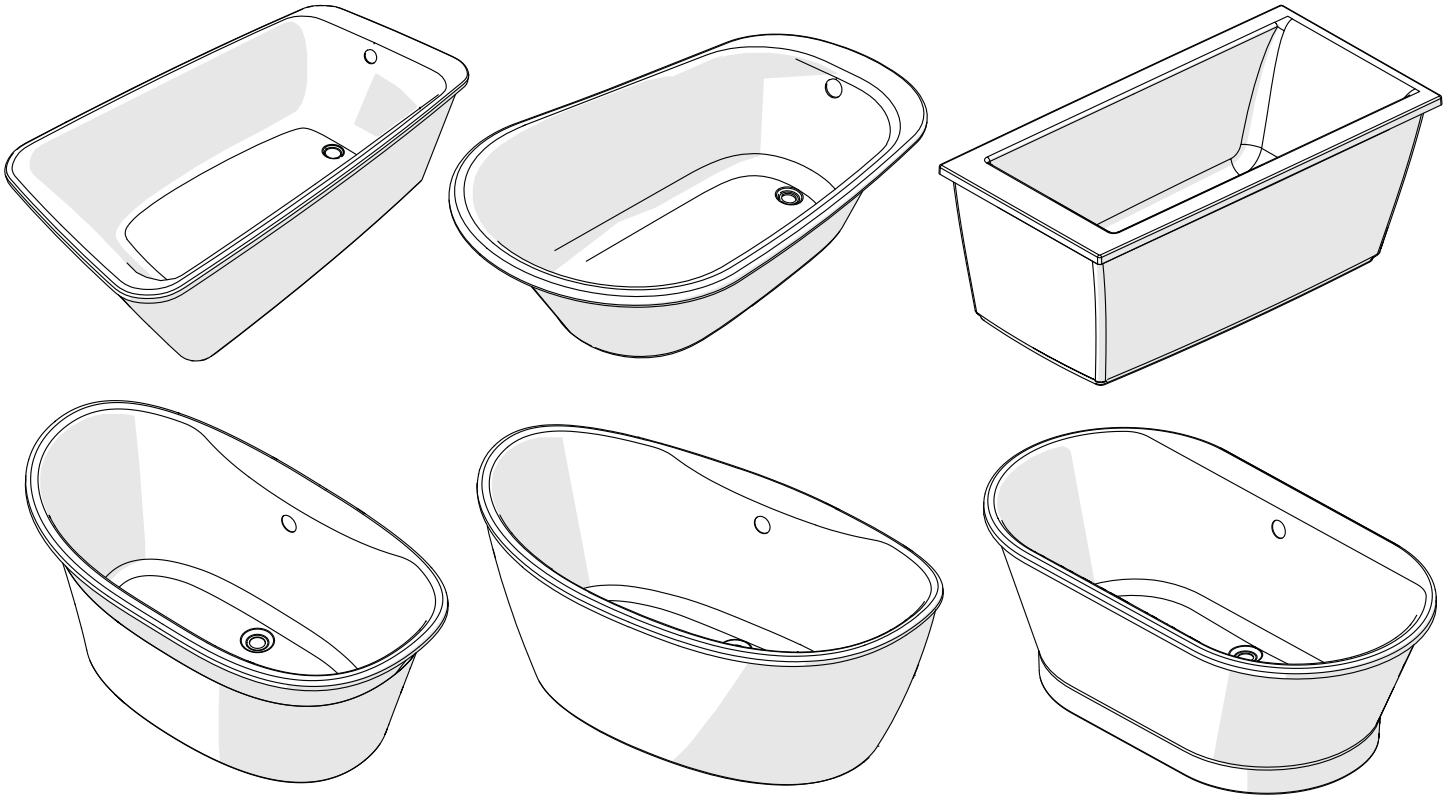


INSTALLATION INSTRUCTIONS
FREESTANDING BATHTUB

Install Questions?
Call 888-704-3690 -or-
Email tubsupport@dreamline.com

MODEL

- **BTCB6041HFXXC00, BTCB6635HFXXC00 (Caribbean)**
- **BTSC6032WFXXF00 (Seneca) • BTLV6032WFXXF00 (Levantine)**
- **BTMO6032WFXXC00, BTMO6636WFXXC00 (Montego)**
- **BTCA6032WFXXC00, BTCA6636WFXXC00 (Caspian)**



▶ A two person installation is recommended

Read all instructions carefully before proceeding.

SAVE THIS GUIDE FOR FUTURE REFERENCE.

IMPORTANT • Record the serial number



Serial Number

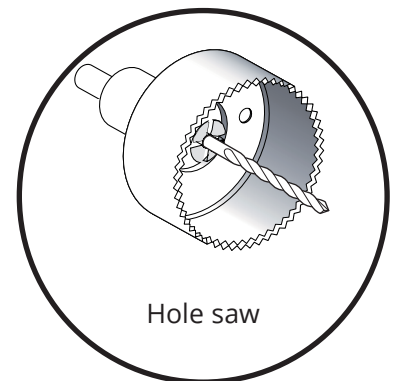
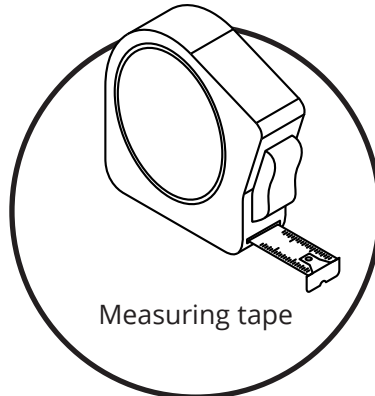
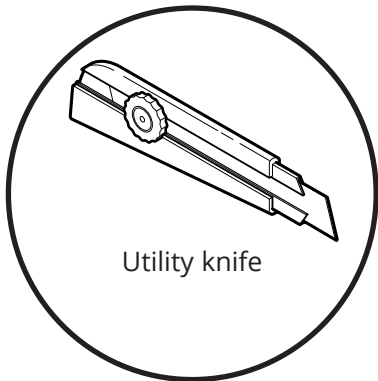
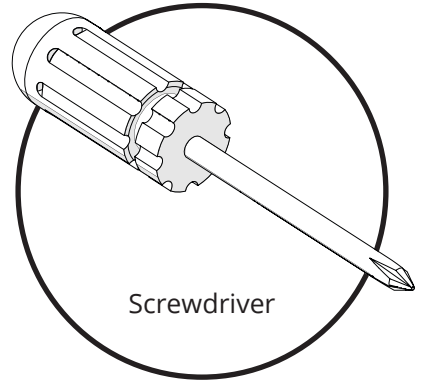
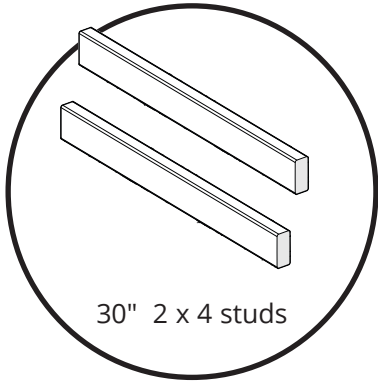
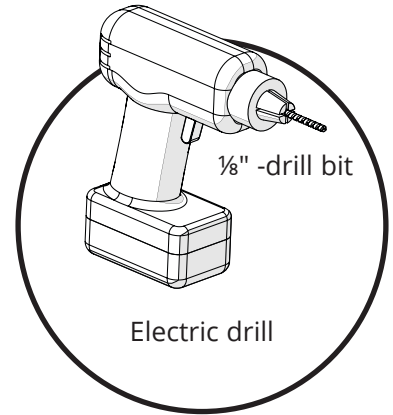
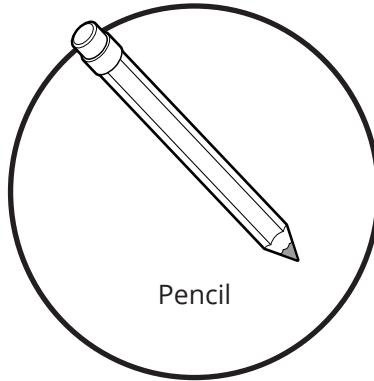
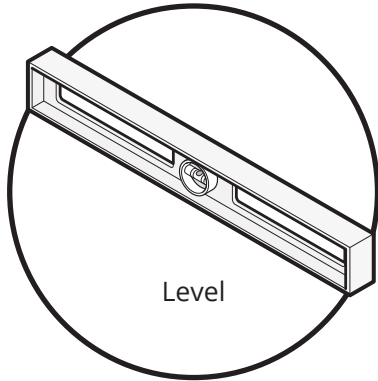
TABLE OF CONTENTS

	PAGE
Before you begin	4
Tools and supplies	5
1. Unpacking the unit.	6
2. Leveling legs adjustment.	7
3. Bathtub skirt and drain positioning.	8
4. Faucets installation (not included).	9
5. Bathtub preparation and installation	10
Troubleshooting and maintenance	15
Warranty	16

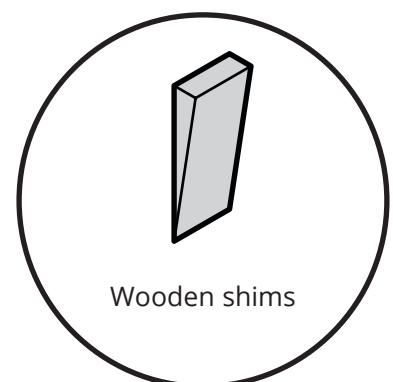
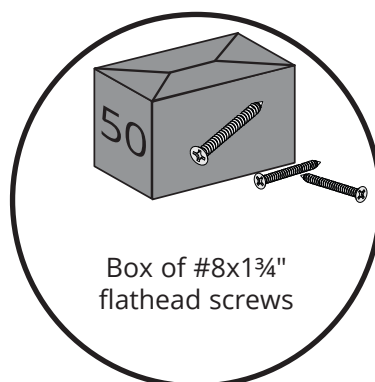
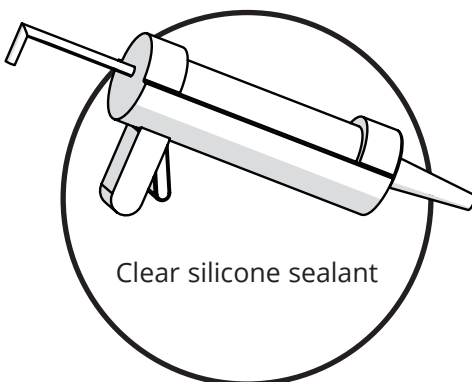
BEFORE YOU BEGIN

- **Carefully read the all the instructions in the manual before beginning the installation.**
- Consult local building codes to make sure the installation complies with standards.
- Remove the unit from its packaging. Before disposing of it, inspect the unit to make sure it is in good shape. Should inspection reveal any damage or defect in the finish, contact your distributor. The warranty does not cover damages or defects in the finish once the unit has been installed. DreamLine's responsibility for shipping damages ceases upon delivery of the product in good order to the carrier. All complaints regarding damage due to transport must be made directly to the carrier.
- Place the unit in the bathroom before you start working. Sectional units should be disassembled if necessary. Conserve all nuts and bolts.
- To protect the unit during installation, we recommend that you lay a piece of cardboard on the bottom.
- **If the unit is covered with polyethylene protective film, do not remove until installation is complete to grant maximum protection. However, remove film where two surfaces will be in permanent contact.**
- **Install all plumbing and drainage before securing the unit. It is always recommended to have a professional plumber do the plumbing installations. See rough-in information for your model on our website.**

TOOLS



SUPPLIES



STEP 1 | Unpacking the Unit

Follow all instructions and check them off as you go.

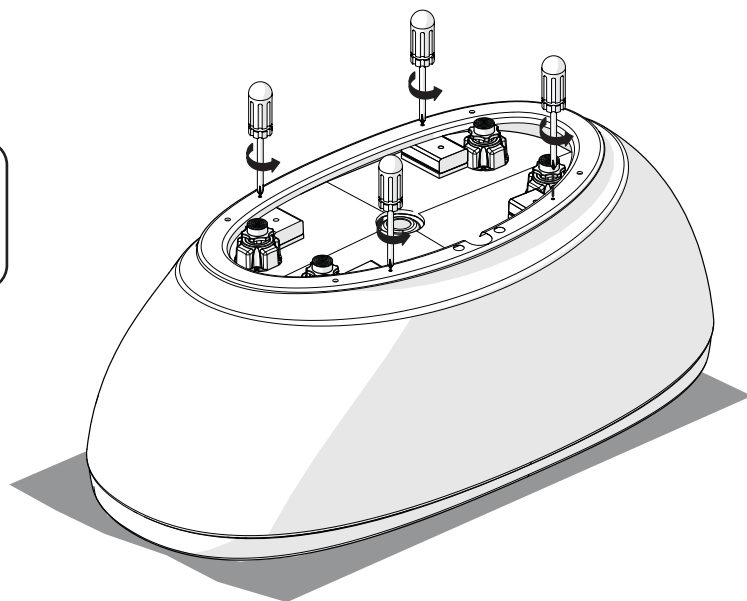
1.1
Check me!



Cut the cardboard box so as to keep one side to protect the bathtub while is upside down. Turn the bathtub upside down. Unscrew the skirt from the wooden blocks.



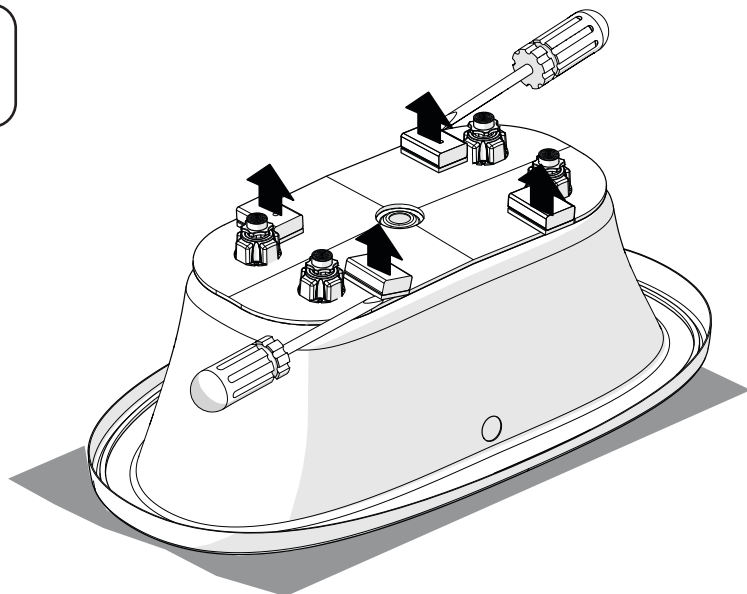
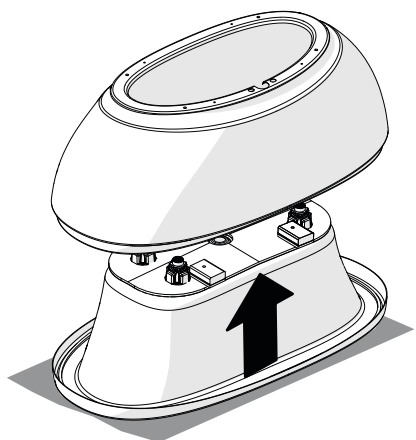
Not all bathtubs have screws and wooden blocks holding the skirt and the bathtub together.



1.2
Check me!



Remove the skirt. Insert a flat-head screwdriver between the wooden blocks and the wood plank to remove the blocks.

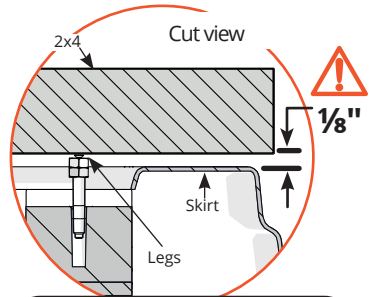
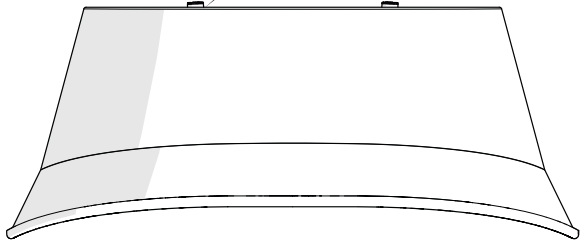
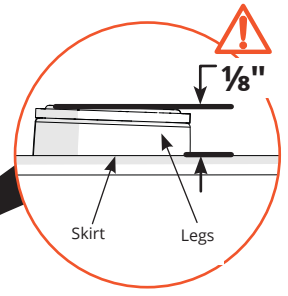


STEP 2 | Leveling Legs Adjustment

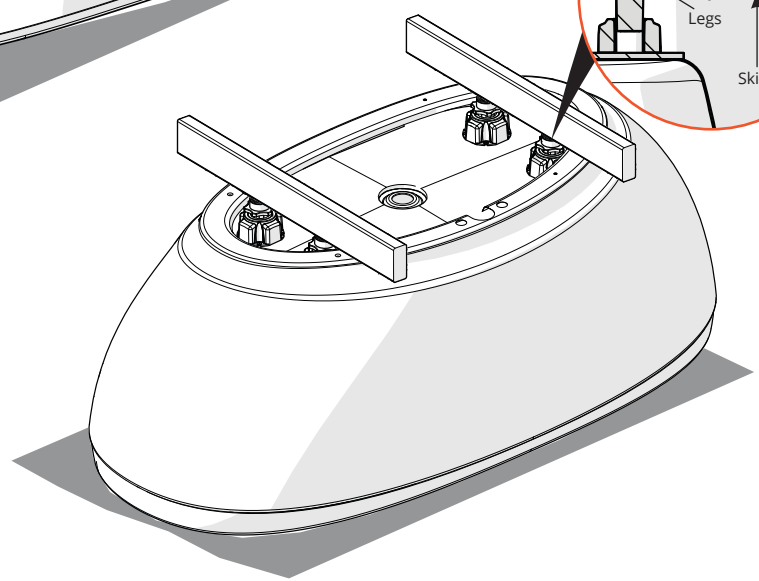
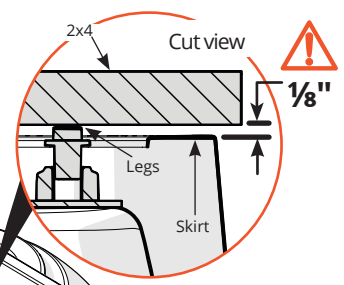
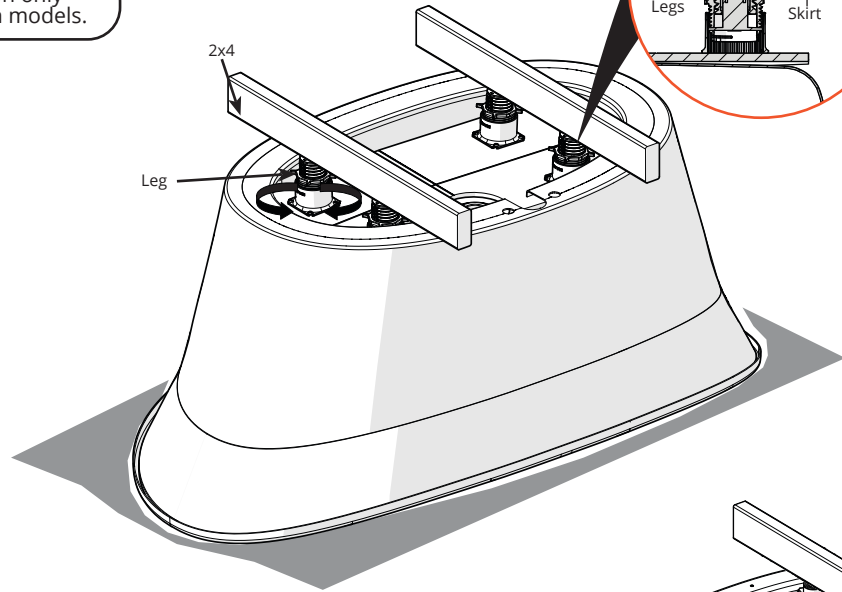
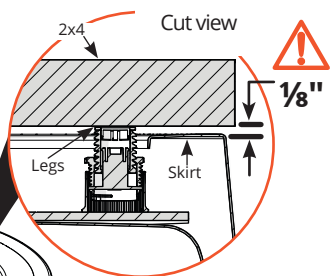
2.1
Check me!



Place back the skirt in the inverted bathtub. Adjust the legs so that they exceed the top of the edge of the skirt by 1/8". You can use a 2x4 to take the measure as shown.



Bolt leg installation only applicable to certain models.





STEP 3 | Bathtub Skirt and Drain Positioning

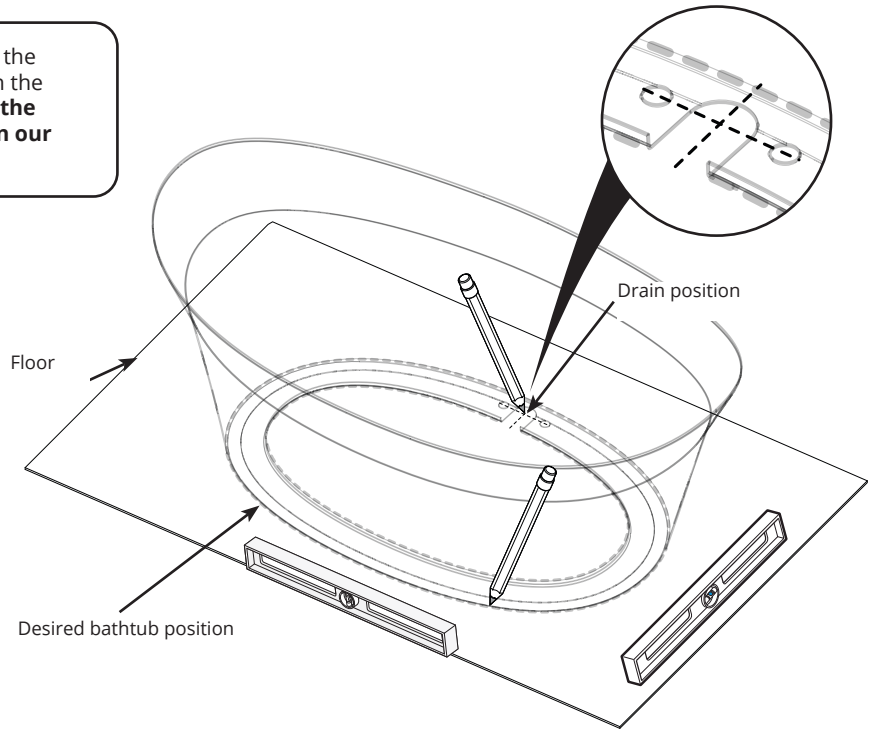
3.1
Check me!



With the help of the bathtub apron, mark the center of the drainage line in relation with the desired position of the bathtub. **See also the rough-in information for your model on our website.**

 Make sure the floor is level.

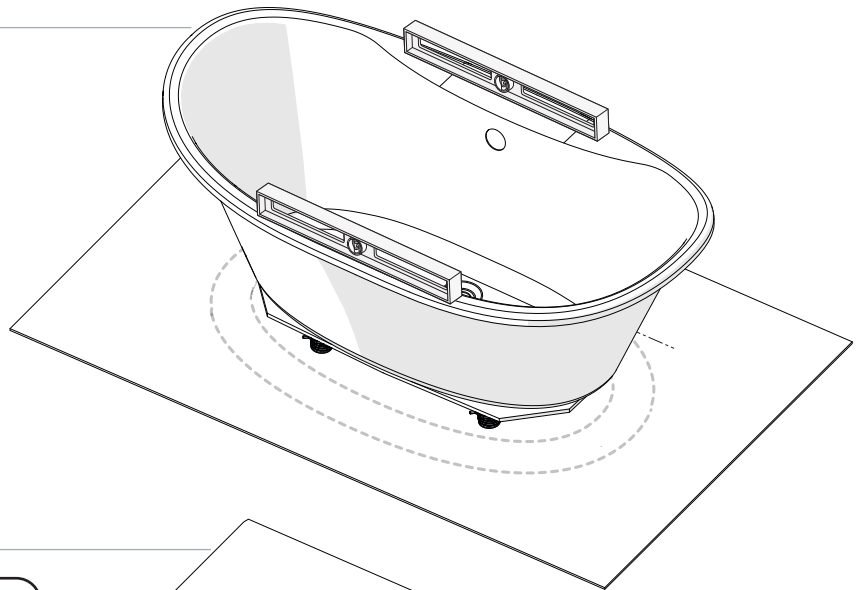
 Before drilling a hole in the floor for the drainpipe, make sure there are no hidden elements underneath (pipes, floor joists, heating ducts, electrical wires).



3.2
Check me!




Place the bathtub in the previously marked position. Verify that the bathtub is completely leveled. Use the leveling legs if needed. Remove the bathtub.

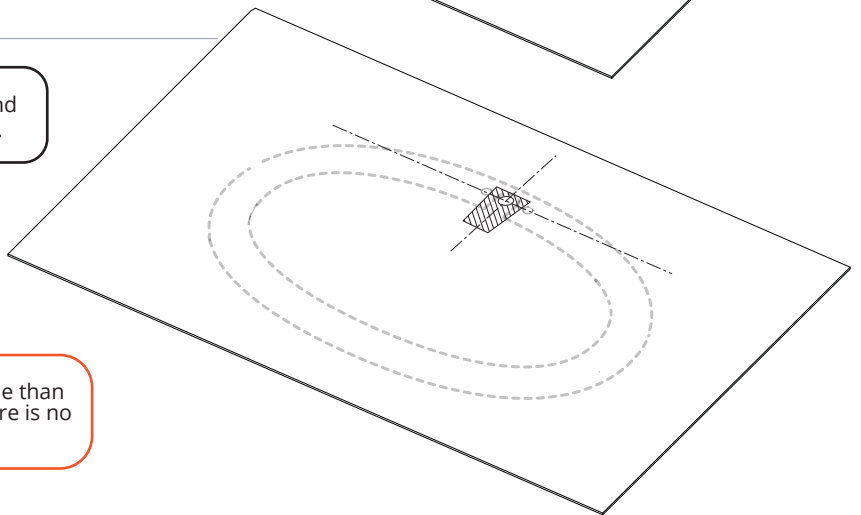


3.3
Check me!



Drill the cutout on the floor for the drain and overflow in the previously marked position.

 If the user needs faucet on the same side than the overflow, they must validate that there is no interference between them.



STEP 4 | Installing Faucets (NOT INCLUDED)

4.1

Check me!



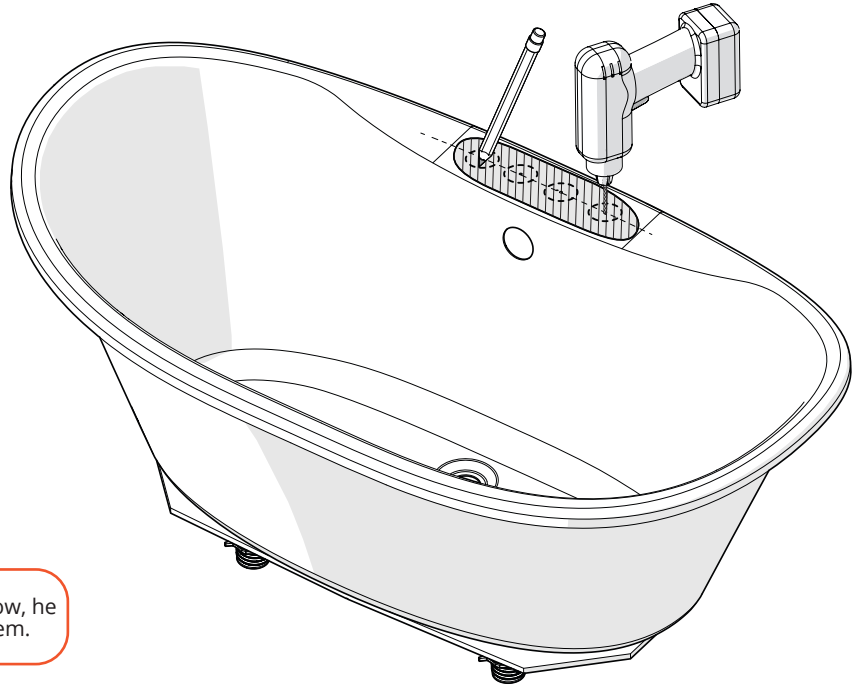
Faucet elements must be installed in the intended area. **See also the rough-in information for your model on our website.**

Before drilling, position the faucet base to make sure they line up with the predrilled holes.

Mark the location of the faucets on the unit and drill 3/16" (5 mm) pilot holes. Make sure the holes line up with the plumbing.



If the user needs faucet on the same side than the overflow, he must validate that there is no interference between them.

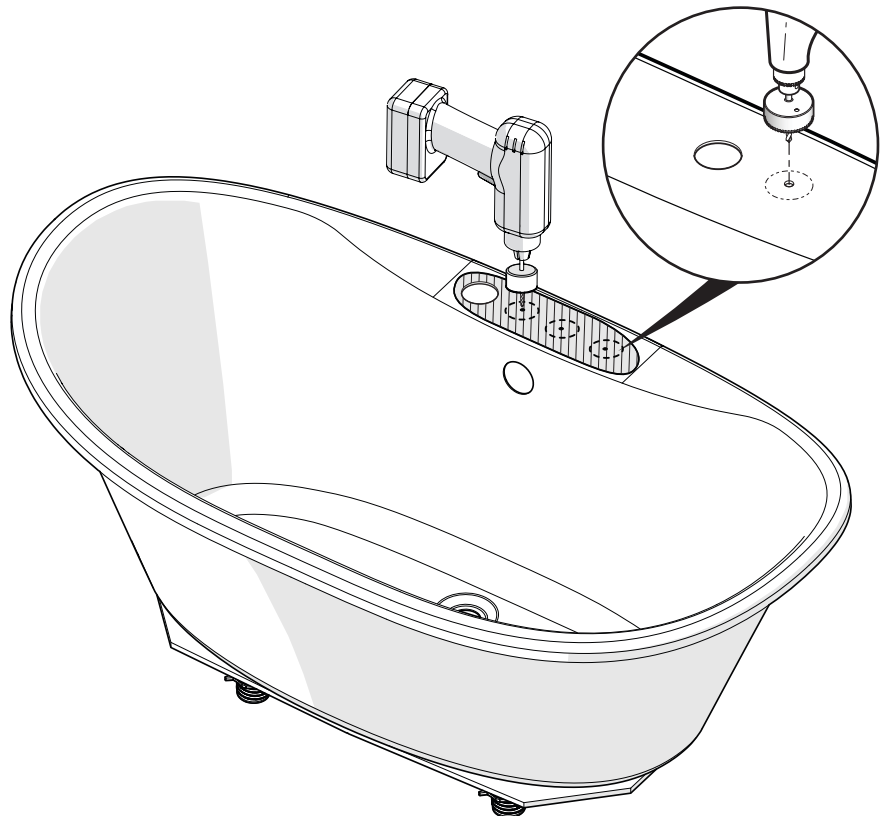


4.2

Check me!



Drill directly on the finished side, following the faucet installation instructions.

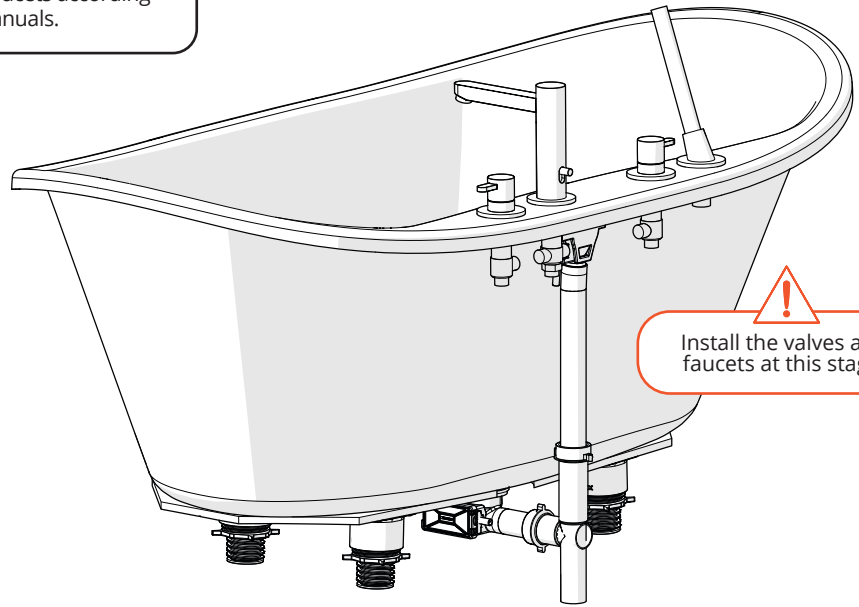


STEP 5 | Bathtub Preparation and Installation

5.1
Check me!

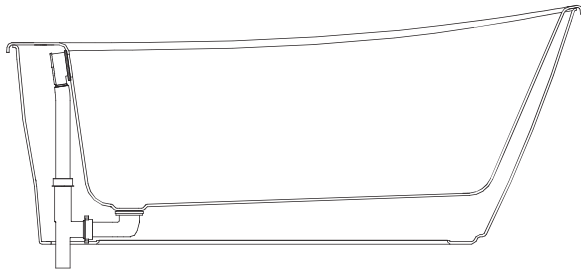


Install the waste and overflow and faucets according to the manufacturer's instruction manuals.

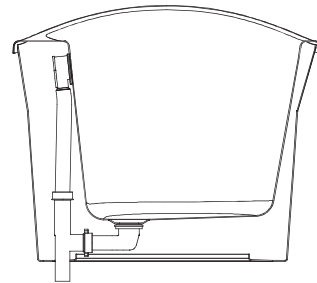


! Install the valves and faucets at this stage.

For models BTSC6032WFXXF00 (Seneca), BTMO6636WFXXC00, BTMO6032WF (Montego), BTCA6032WFXXC00, and BTCA6636WFXXC00 (Caspian)



Standard drainpipe and overflow compatible with end-drain freestanding bathtub models: BTSC6032WFXXF00 (Seneca)



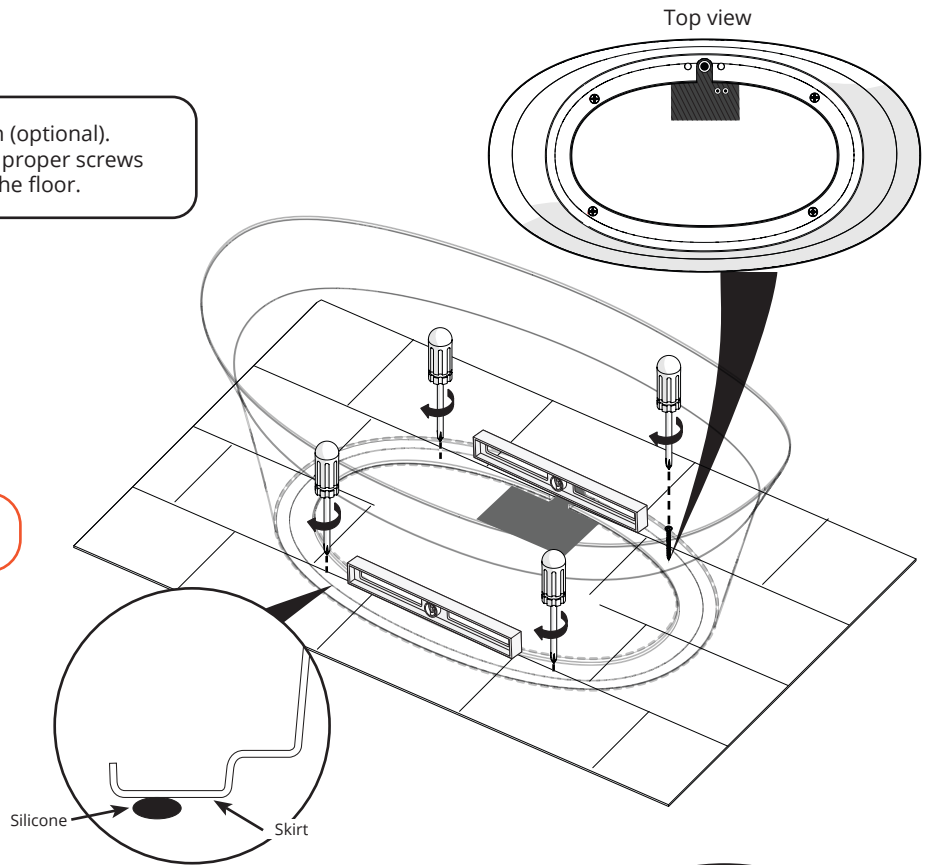
Standard drainpipe and overflow compatible with center drain freestanding bathtub models: BTMO6032WFXXC00, BTMO6636WFXXC00 (Montego), BTCA6032WFXXC00, BTCA6636WFXXC00 (Caspian)

STEP 5 | Bathtub Preparation and Installation (CONTINUED)

5.2
Check me!


Apply a silicone seal under the apron (optional). According to bathroom flooring, use proper screws (not included) to secure the skirt to the floor.

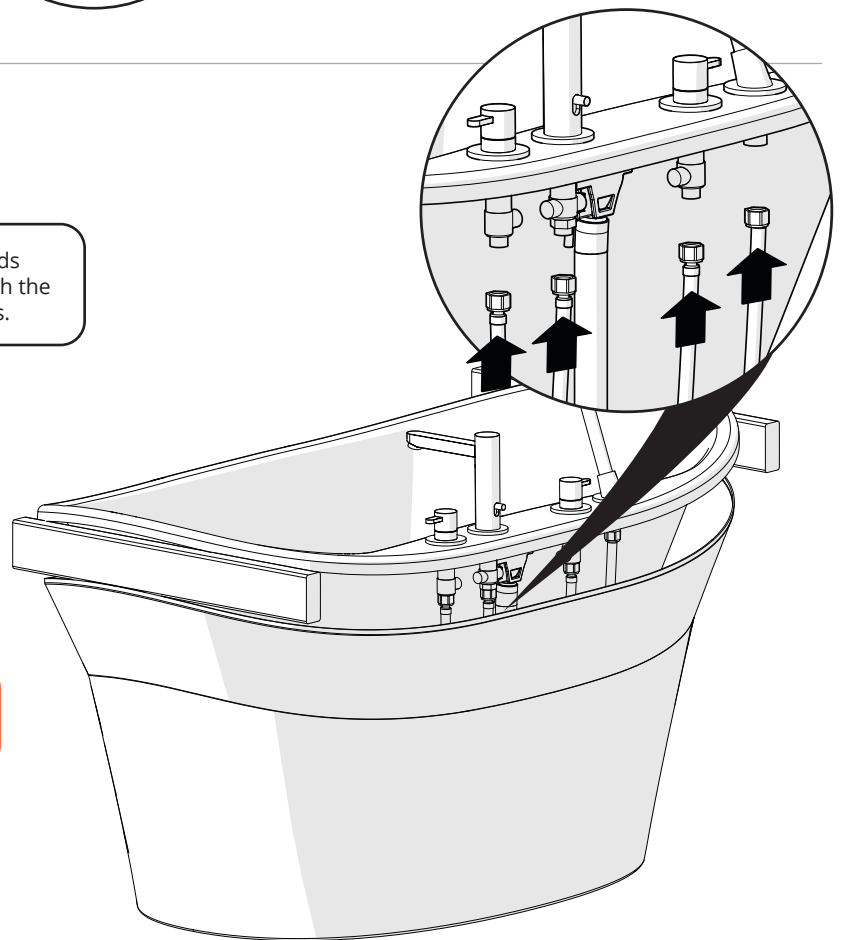

Make sure the skirt is level.



5.3
Check me!

Add two spacers (example 2x4) on the skirt ends and position the bathtub inside the skirt. Attach the hot and cold water riser to the plumbing hoses.


Faucet must be connected to 1/2" flexible hoses of sufficient length to allow the bathtub to be lifted if needed (25" or 635mm).



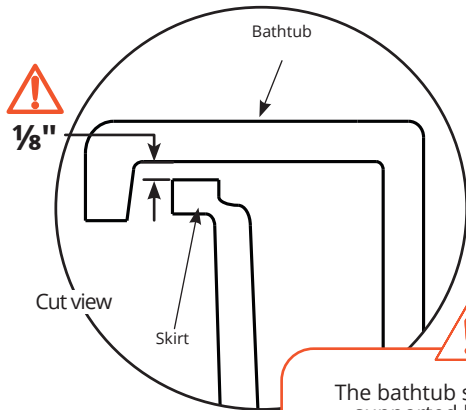
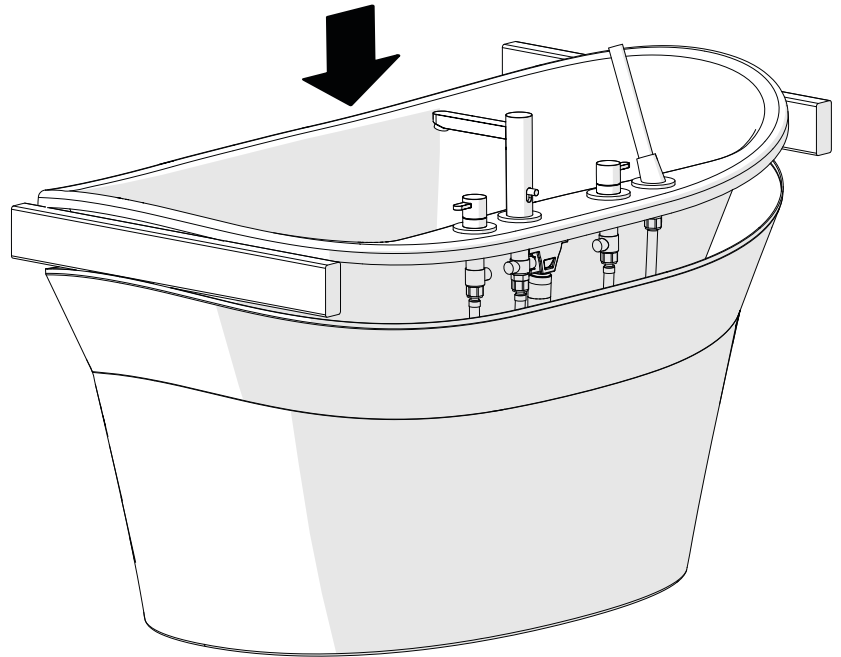
STEP 5 | Bathtub Preparation and Installation (CONTINUED)

5.4

Check me!



Remove the spacers. **Make sure all the legs are in contact with the ground, so that the bathtub is not supported by the skirt (see cut view below).** The bathtub must be tested before installation is complete. **Fill the bathtub to the overflow and inspect for leaks.** Tighten and loose connections between the hoses and motor by hand.



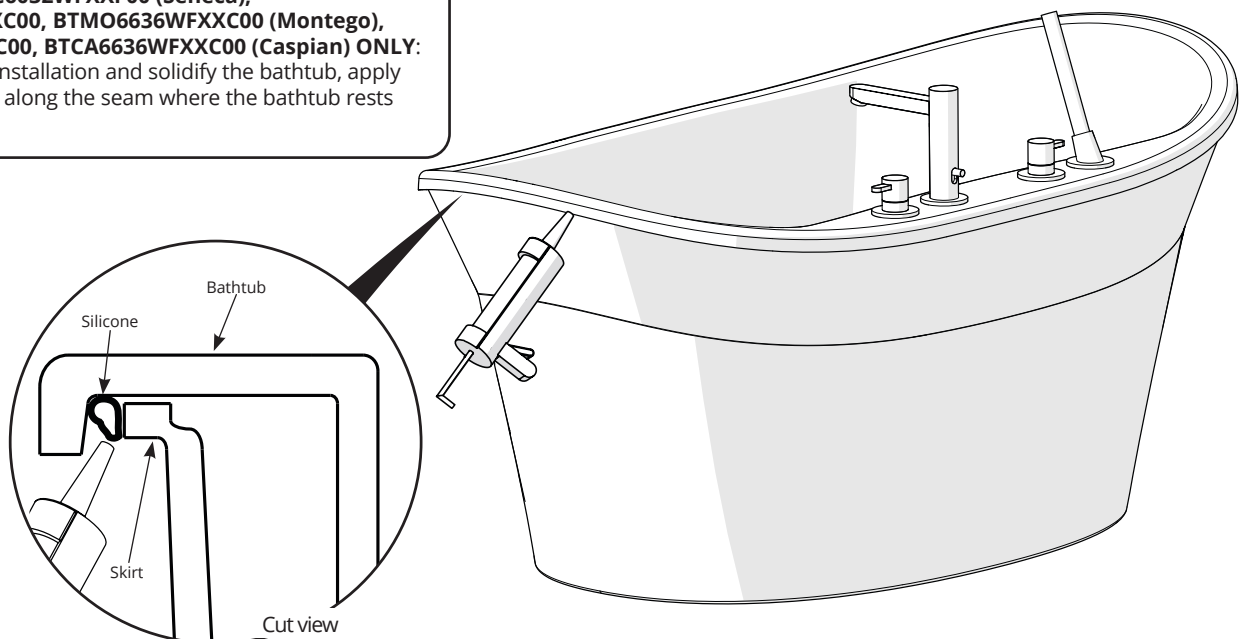
The bathtub should not be supported by the skirt.

5.5

Check me!



For models BTSC6032WFXXF00 (Seneca), BTMO6032WFXXC00, BTMO6636WFXXC00 (Montego), BTCA6032WFXXC00, BTCA6636WFXXC00 (Caspian) ONLY: To complete the installation and solidify the bathtub, apply a bead of silicone along the seam where the bathtub rests against the skirt.



TROUBLESHOOTING

TOUBLESHOOTING

Water accumulates around the drain and the bathtub does not completely empty.

- Check that the installation is leveled and that the bathtub is well supported by the legs. With the help of level, place at the bottom of the bathtub, make sure to have a slight slope towards the drain. If necessary, adjust the legs under the bathtub.

Bottom of bathtub moves during use.

- Bathtub is not sitting firmly on its base; adjust leveling legs.

Polyethylene film will not come off.

- Use hair dryer to blow hot air on the surface.

MAINTENANCE

Regular disinfections provide an effective defense against various types of bacteria susceptible of developing in the deposits that build up over time in all bathtubs and showers.

For daily maintenance cleaning, use a moist cloth and gentle liquid detergent.

Do not use abrasive cleaners, scrapers, metal brushes, or any items or products that could scratch or dull the surface.

Paint stains: Use either turpentine or a paint thinner.

Joint compound: Use a plastic or wood spatula covered with a damp cloth. Do not use a metal blade or a metal brush.

If a rubber mat is used, it must be removed immediately after each use. Ignoring this recommendation will cause damage not covered by the warranty.

Certain types of therapeutic products when added to bath water, or if applied non-diluted directly in the bath, may damage the unit finish. **Test the product on a small inconspicuous surface prior to use.**

WARRANTY

DreamLine Showers (hereafter "DreamLine") offers the following express limited warranty on each of its products. This warranty extends only to the original owner/end-user for personal household use. For commercial uses, additional limitations apply.

DreamLine warrants **acrylic units** to be free from defects in workmanship and materials under normal use and service for a period of twenty five (25) years from the initial date of purchase by the owner/end-user, contractor or builder from an authorized dealer.

AcrylX Limited Warranty United States

DreamLine offers express limited warranty on each of its products. This warranty extends only to the original owner/end-user for person all household use. For commercial uses, additional limitations apply.

AcrylX Limited Warranty Canada

DreamLine offers 25 yr limited warranty on each of its products. This warranty extends only to the original owner/end-user for person all household use. For commercial uses, additional limitations apply.

DreamLine warrants **fiberglass units** to be free from defects in workmanship and materials under normal use and service for a period of five (5) years from the initial date of purchase by the owner/end-user, contractor or builder from an authorized dealer.

Any product reported to the authorized dealer or to DreamLine as being defective within the warranty period will be repaired or replaced (with a product of equal value) at the option of DreamLine. This warranty extends to the original owner/end-user and is not transferable to a subsequent owner.

Neither the distributor, authorized DreamLine dealer nor any other person has been authorized to make any affirmation, representation or warranty other than those contained in this warranty; any affirmation, representation or warranty other than those contained in this warranty shall not be enforceable against DreamLine or any other person.

DreamLine reserves the right to modify this warranty at any time, it being understood that such modification will not alter the warranty conditions applicable at the time of the sale of the products in question.

Limitations

This warranty shall not apply following incorrect operating procedures, breakage or damages caused by fault, carelessness, abuse, misuse, misapplication, improper maintenance, alteration or modification of the unit, as well as chemical or natural corrosion, accident, fire, flood, act of God or any other casualty. This warranty shall not apply to stain or malfunction caused by ferrous water, hard water or salty water.

The owner/end-user of the product covered by this warranty is entirely responsible for its proper installation and electrical wiring. DreamLine neither installs nor supervises the installation, nor hires a contractor for this purpose, and consequently cannot be held responsible for any default, breakage or damages caused thereby or resulting thereof, either directly or indirectly. The owner/end-user must provide access to the components of the product as described in the installation guide, so that DreamLine can execute the warranty specified herein. If such access is not available, all expenses to provide said access will be the responsibility of the owner/end-user.

This warranty does not apply to products or equipment not installed or operated in accordance with instructions supplied by DreamLine and all applicable rules, regulations and legislation pertaining to such installations.

DreamLine strongly recommends that its products - for example, but without limitation, shower doors and other items - be installed by professionals with experience in bathroom products. Installation of shower doors by an inexperienced person may result in glass breakage and, consequently, cause personal injury or death.

DreamLine is not liable for any costs, damages or claims resulting from the purchase of products that do not fit through openings or existing structures. DreamLine is not liable for any costs, damages or claims resulting from defects that could have been discovered, repaired or avoided by inspection and testing prior to installation.

DreamLine is not liable for personal injuries or death to any person or for any direct, special, incidental or consequential damage, loss of time, loss of profits, inconvenience, incidental expenses, labor or material charges, or any other costs resulting from the use of the product or equipment or pertaining to the application of the present warranty, or resulting from the removal or replacement of any product or element or part covered by this warranty.

EXCEPT AS OTHERWISE PROVIDED ABOVE, DreamLine MAKES NO WARRANTIES, EXPRESS OR IMPLIED, INCLUDING WARRANTIES OF MERCHANTABILITY AND FITNESS FOR A PARTICULAR PURPOSE OR COMPLIANCE WITH ANY CODE.

In any case, DreamLine cannot be liable for any amount over and above the purchase price paid for the product by the owner/end-user, contractor or builder.

Commercial Limitations

In addition to the above conditions and limitations, the warranty period for products installed for commercial applications or used in commercial ventures is of one (1) year from the initial date of purchase by the owner/end-user, contractor or builder from an authorized dealer. DreamLine is not responsible for loss of use or profit under any circumstances. If the product is used as a display, the warranty period begins when the product is placed on display.

This warranty gives the owner/end-user specific legal rights. The owner/end-user may also have other rights which vary from one state and/or province to another.

Warranty Service

In order to obtain service provided under this warranty during regular business hours, user has informed an authorized DreamLine Agent or Warranty Service Department representative of the nature of the problem during the warranty period; (3) conclusive evidence (e.g., proof of purchase or installation) is provided to the foregoing by the user proving that the failure occurred or was discovered within the warranty period and (4) an authorized independent service person or company representative has been permitted to inspect the product during regular business hours within a reasonable time after the problem was reported by the user.



DreamLineShowers.com

CUSTOMER SUPPORT

**CALL 888-704-3690 -or-
EMAIL tubsupport@dreamline.com**