

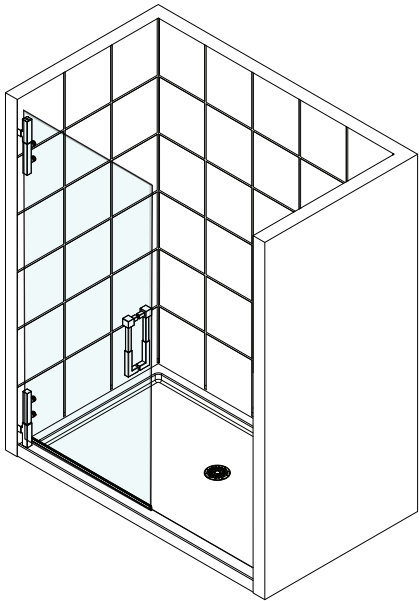
ASCEND

SHOWER DOOR INSTALLATION INSTRUCTIONS

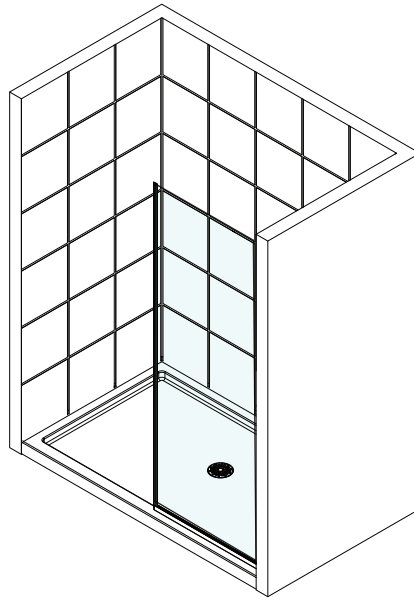
PLEASE REVIEW THIS ENTIRE MANUAL PRIOR TO INSTALLATION

IMPORTANT!

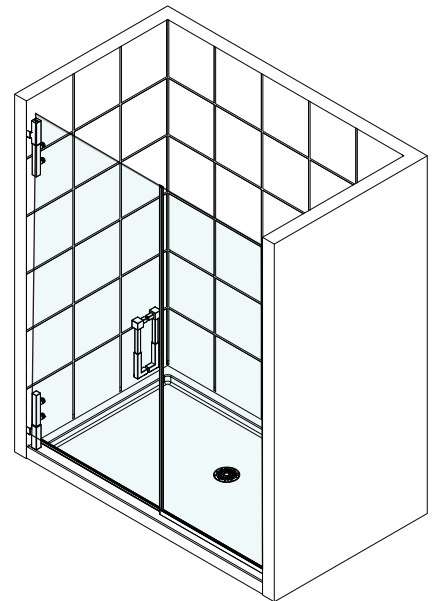
DreamLine[®] reserves the right to alter, modify or redesign products at any time without prior notice for the purpose of product improvement and customer experience. Please refer to the model's web page on **DreamLine.com** for the latest technical drawings, installation manuals, warranty information or additional product details.



+



=



STEP 1: Install Shower Door

STEP 2: Install Shower Panel



Questions?

Please contact DreamLine Customer Support
See DreamLine.com for hours of operation

Support@DreamLine.com

1-866-731-2244

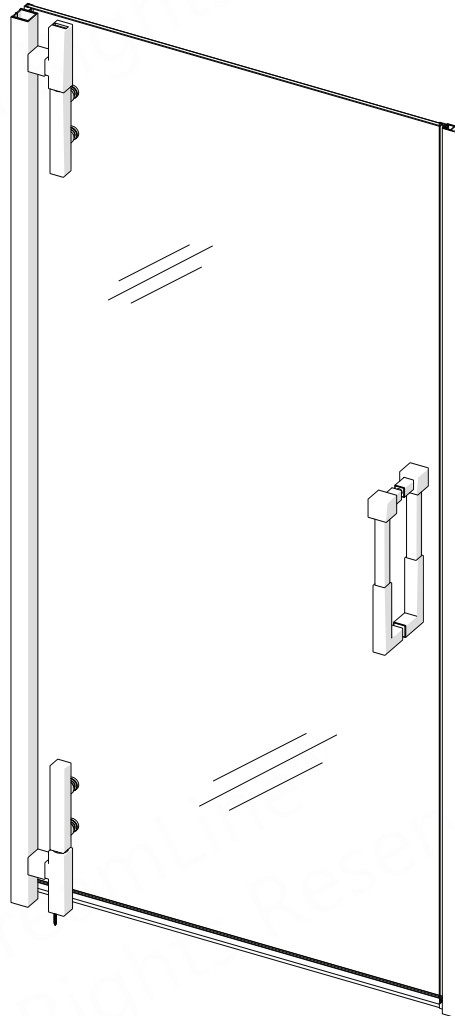




ASCEND

SHOWER DOOR INSTALLATION INSTRUCTIONS

PLEASE REVIEW THIS ENTIRE MANUAL PRIOR TO INSTALLATION



*left-hand installation shown

MODEL

Available in:
01 - Chrome
04 - Brushed Nickel
06 - Oil Rubbed Bronze
09 - Satin Black

IMPORTANT!

DreamLine® reserves the right to alter, modify or redesign products at any time without prior notice for the purpose of product improvement and customer experience. Please refer to the model's web page on **DreamLine.com** for the latest technical drawings, installation manuals, warranty information or additional product details.

Do Not Return Product to the Store. Contact DreamLine® with any questions



Questions?

Please contact DreamLine Customer Support
See DreamLine.com for hours of operation

Support@DreamLine.com

1-866-731-2244





ASCEND SKUs

SDAD27D720VXXXX	SDAD485720VXXXX
SDAD29D720VXXXX	SDAD485721VXXXX
SDAD31D720VXXXX	SDAD48W720VXXXX
SDAD325720VXXXX	SDAD48W721VXXXX
SDAD32W720VXXXX	SDAD505720VXXXX
SDAD33D720VXXXX	SDAD50W720VXXXX
SDAD345720VXXXX	SDAD525720VXXXX
SDAD34W720VXXXX	SDAD52W720VXXXX
SDAD35D720VXXXX	SDAD545720VXXXX
SDAD365720VXXXX	SDAD54W720VXXXX
SDAD36W720VXXXX	SDAD565720VXXXX
SDAD385720VXXXX	SDAD565721VXXXX
SDAD38W720VXXXX	SDAD56W720VXXXX
SDAD405720VXXXX	SDAD56W721VXXXX
SDAD405721VXXXX	SDAD585720VXXXX
SDAD40W720VXXXX	SDAD58W720VXXXX
SDAD40W721VXXXX	SDAD605720VXXXX
SDAD425720VXXXX	SDAD60W720VXXXX
SDAD42W720VXXXX	SDAD625720VXXXX
SDAD445720VXXXX	SDAD62W720VXXXX
SDAD44W720VXXXX	SDAD645720VXXXX
SDAD465720VXXXX	SDAD64W720VXXXX
SDAD46W720VXXXX	



Do not remove ClearMax stickers until glass is installed.



This model is treated with DreamLine’s exclusive ClearMax™ Glass technology. This is a specially formulated coating that prevents the build up of soap and water spots.

Install the surface with the ClearMax™ label towards the inside of the shower. Please note that depending on the model, the glass may be coated on either one or both surfaces.

For best results, squeegee the glass after each use and dry with a soft cloth.

Record the following purchase information for your records or in the event you need to contact DreamLine®:

Purchase Order Number _____

Store/Vendor Purchased From _____

Installation Date _____

OD Number (optional) _____
*found on the shipping box or label if available.

Installed By: _____

SKU Number _____

Table of Contents

Section Title	Page #
Important Warnings and General Information	2
Model Specific Preparation	3
Tools	4
Detailed Diagram of Shower/Tub Door Components	5
Parts List	6-7
Installation Steps	8-23
Product Maintenance	24
Troubleshooting	25
Factory Parts Information	26-27

Symbol Legend



TIP - for ease of installation.



CORRECT - recommended.



NOTE - take note of special feature; additional information.

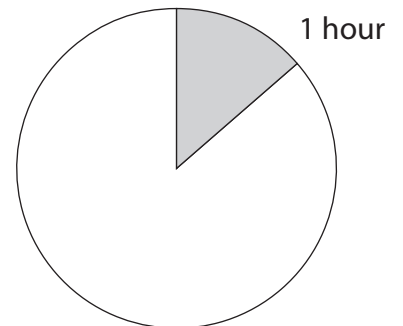


INCORRECT - not recommended.



REQUIRED - requires special attention; signifies a warning.

Average Installation Time





IMPORTANT

- DreamLine® reserves the right to alter, modify or redesign products any time without prior notice for product improvement and customer experience. Please refer to the model's web page on DreamLine.com for the latest technical drawings, installation manuals, warranty information or additional product details.
- This product should be installed by someone familiar with the construction requirements for this type of project and the care necessary for the safe installation and operation of the product.
- The safety of any installation is the responsibility of the installer.
- Professional installation recommended. (*All Models*)
- Professional installation required. (*Enigma Series*)
- To prevent damage or serious injury, Do Not lean against the installed panel/door/glass.
- To prevent damage or serious injury: Do Not attempt to lift or move a heavy lite of glass alone. Use an assistant and/or a professional grade glass suction cup.
- The installation of some models may require drilling down into the threshold. Contact the manufacturer of the base, tub, or threshold material with any questions regarding the drilling of holes into their product.
- All drawings in this installation manual are for illustrative purposes only and are not drawn to scale.

TEMPERED GLASS WARNING

- Your Shower Door Glass Could Shatter Without Warning if Improperly Installed or Mishandled
- Do Not install or operate a shower door if the glass has chipped corners, slivered edges or is otherwise damaged and/or has been dropped or banged into a hard surface such as tile, marble or glass.
- **The main causes of tempered glass breakage are:**
 - Improper handling, storage or installation
 - Misuse/abuse
 - Lack of maintenance
 - Failure to replace damaged glass
 - **Improper handling during storage, unpacking and installation:**
 - Corners and edges are the most susceptible area to damage on a lite of tempered glass and should be protected and handled with care during storage, unpacking, installation and operation. A concentrated point of pressure or impact with a surface harder than itself may cause the tempered glass to shatter. The tempered glass may release immediately, within several hours or even days later.
 - **Incorrect installation of door hardware, rollers, hinges, channels, stopper or glass:**
 - Improper installation may include: loose hardware and/or lack of proper gaskets between the hardware and glass. Additionally, improper alignment of guide rails, wall profiles or other hardware during installation or operation may place stress on the glass edges and cause it to break.
 - This product must be installed by a professional and experienced installer familiar with the safe handling of tempered glass.
 - **Improper use of this product:**
 - Aggressively opening or closing the door may cause trauma to the glass, which can lead to breakage. This may occur immediately or hours or even days later.
 - **The shower door hardware and glass should be inspected periodically:**
 - Instruct the homeowner how to perform a periodic inspection of the shower hardware and glass - some minor adjustments may be necessary based upon the use (or misuse) of the shower door. Ensure that the hardware remains tight and that the door alignment and operation are correct. Any adjustments should be made upon discovery to prevent damage to the product.
 - Additional considerations should be given to the installation of frameless tempered glass products in households with young children or an elderly person due to an increased chance of improper handling. In such cases, alternatives such as shower curtains or grab bars should be considered.

GENERAL PREPARATION

- After opening all boxes and packages, read this introduction carefully. Check that all the items are included in the package by marking off the components on the "**Detailed Diagram of Product Components**" page. Examine all boxes and packages for shipping damage. If the unit has been damaged, has a finishing defect, or is missing parts; please contact our Customer Support department within 3 business days of the delivery date. **Please note that DreamLine® will not replace any damaged products or missing parts free of charge after 3 business days or if the product has been installed.** Please contact DreamLine® if you have any questions.
- **Please note that you should refer to your local building codes with questions on installation compliance standards. Building and plumbing codes may vary by location, and DreamLine® is not responsible for code compliance standards for your project and will not accept any returns.**
- If this unit is going to be installed in a new construction, install all the required plumbing and drainage before installing the shower. **Use a competent and licensed (if required by local code) plumber for all plumbing installation.**
- Make sure that prior to beginning the installation, the surfaces are leveled and solid and will be able to support the total weight of the unit. Also make sure the walls are at right angles. Irregular installation surface level, radius corners or improper angle of side walls will result in serious problems for your installation. Please note that some adjustments and drilling will be necessary during the installation process.
- Protect all primary surfaces of the product during installation. Never set your glass down directly onto a tile floor. Leave corner protectors in place until it is necessary to remove them. Always use a piece of wood or cardboard to protect the bottom edge and corners of the glass prior to and during installation.
- This unit must be installed upon a finished threshold and against finished walls.
- *DreamLine® shower doors are not designed to be installed into a fiberglass surround due to the radius corners and lack of a solid surface to mount the hardware.*

WARNING: TO AVOID THE RISK OF DAMAGE OR INJURY:

- **Follow all recommendations and requirements as shown in the installation instructions.**
- Perform a thorough inspection of the glass and all parts for any damage prior to installation. Any damage to tempered glass can cause breakage. **Do Not install damaged glass!**
- Do Not install or operate a shower or tub door if the glass has chipped corners, slivered edges or is otherwise damaged. Do Not install or operate a shower or tub door that has been dropped or banged into a hard surface such as tile, marble or glass.
- **CAUTION:** Contact with any hard surface can damage tempered glass and cause it to shatter.
- This product uses tempered glass. Glass cannot be cut after it has been tempered. **Do Not attempt to cut tempered glass.**
- DreamLine® Glass Shower doors, Tub doors, Inline panels, and Return panels can shatter due to improper handling or lack of maintenance. Conduct periodic inspections of glass and all parts for possible damage, missing or loose parts.
- Always wear proper safety equipment such as: safety goggles, work gloves and appropriate footwear during the installation process.
- **WARNING. Risk of leakage and/or damage.** Follow all instructions regarding the application of silicone sealant or caulk. Allow 24 hours for the sealant to cure before the initial use of the shower or tub product. Follow the silicone manufacturer's recommendations regarding the use of their product.
- **Thoroughly read these instructions before installing or using this product.**
- **Leave this manual for the end-user of the product.**



This product should be installed by someone familiar with the construction requirements for this type of product and the care necessary for the safe installation and operation of the product.



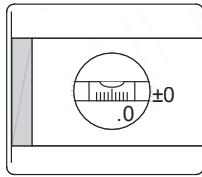
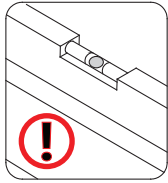
Professional Installation recommended.

Model Specific Preparation

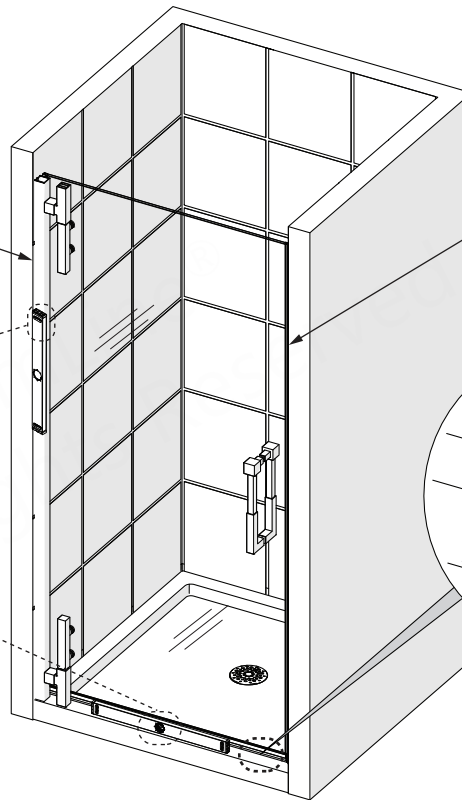


REQUIRED:

1/2" Out-of-Plumb Adjustment on Pivot Side; Verify threshold and walls with a level



Threshold must be level



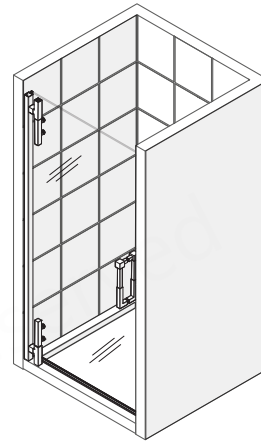
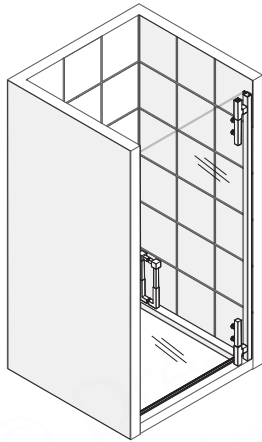
1/4" Maximum Out-of-Plumb Adjustment on Strike side of door.

2-3/8"

minimum flat threshold and wall surface required



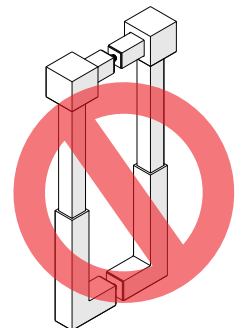
This door is reversible. The pivot hinges can be installed on either side of the shower, and the Door Glass can be flipped for installation on either side of the shower opening. The door glass has a ClearMax™ coating on the inside only.



Left-hand installation shown as example in this manual. For Right hand installation, start on the opposite wall and follow the same installation steps.



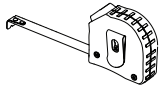
DO NOT attach the handle to the door glass until instructed. **DO NOT** attempt to use the handle to lift the door glass during installation. This may result in damage to the glass and/or serious injury. Always use a professional grade glass suction cup and an assistant.



Tools



4-Foot Level



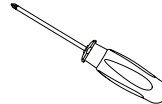
Tape Measure



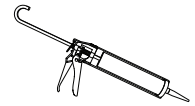
Pencil



Razor Knife



Phillips
Screwdriver



Caulk gun with
clear, mold-resistant
Silicone



Screw Gun
or Impact Driver
w/ #2 Phillips bit



Power
Drill



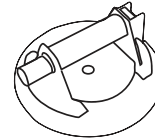
Drill Bit
Ø1/8"
(3mm)



Drill Bit
Ø3/16"
(5mm)



Masonry
Drill Bit
Ø5/16"
(8mm)



Professional-grade
Glass suction cup



Safety Glasses



Verify that the correct model size has been ordered; measure the finished opening **before** proceeding with the installation.

Confirm that the finished walls are plumb and the threshold is level and pitched into the shower area.

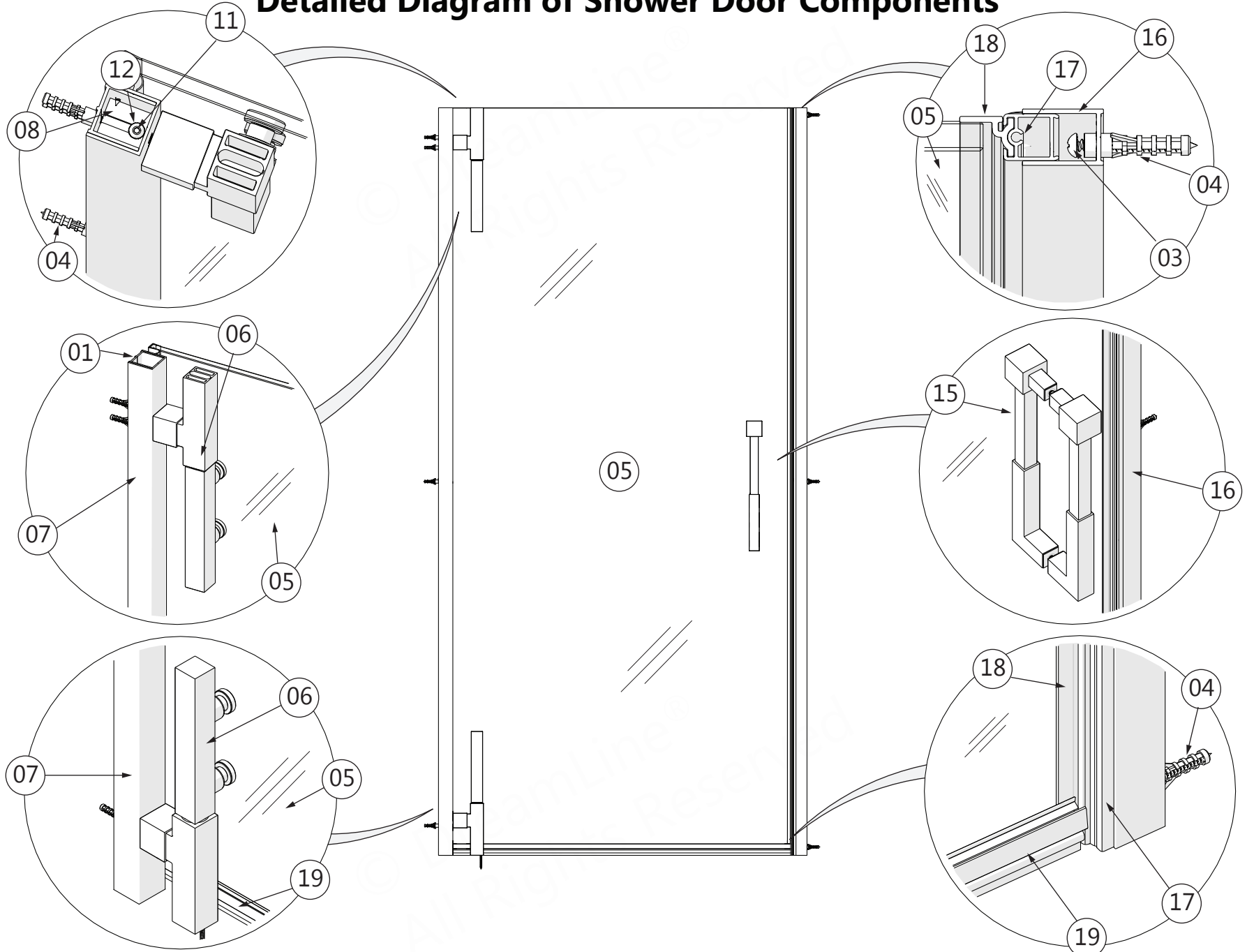
Use a good quality waterproof, mildew-resistant 100% silicone caulk.

Cover the shower/tub drain with tape prior to installation to prevent the loss of screws or small parts.



Unpack your unit carefully and inspect it. Lay it out and identify all parts using the **Detailed Diagram** on page 5; and packing list in this manual as a reference. Before discarding the carton, check for small hardware bags that may have fallen to the bottom of the box. If any parts are damaged or missing, please contact DreamLine® for replacement. The shipping boxes may contain extra parts not used in your model configuration. Retain these installation instructions for future reference.

Detailed Diagram of Shower Door Components

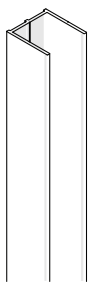


*left-hand installation shown as example

MODEL #
ACADWWW720XXX01

Parts List

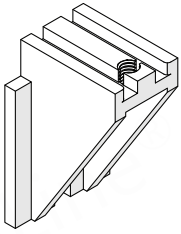
01



Wall Profile

x1

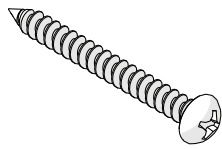
02



Wall Bracket

x1

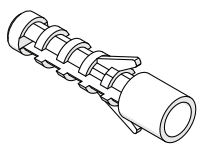
03



ST4.0 x 40mm
Screw

x8

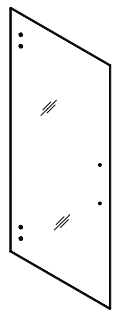
04



Wall Anchor

x7

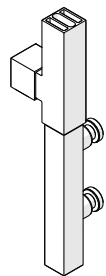
05



Door Glass

x1

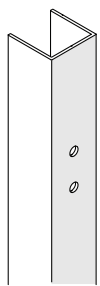
06



Pivot

x2

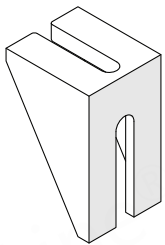
07



Glass Profile

x1

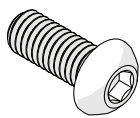
08



Glass Bracket

x1

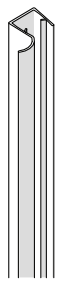
09



M6 x 16mm
Screw

x4

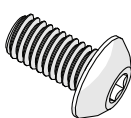
10



Vertical
Vinyl Seal

x1

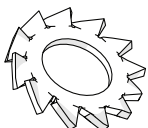
11



M5 x 10mm
Screw

x1

12

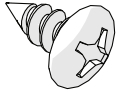


Lock Washer

x1

Parts List

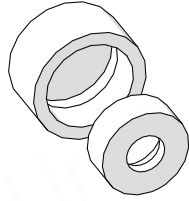
13



ST 4.0 x 10mm
Screw

x7

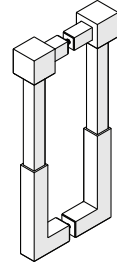
14



Decorative Cap
with Washer

x7

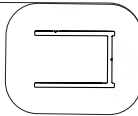
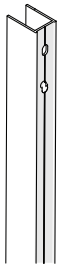
15



Handle

x1

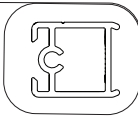
16



Strike Side
Wall Profile

x1

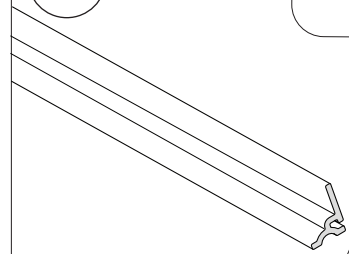
17



Strike Side
Glass Profile

x1

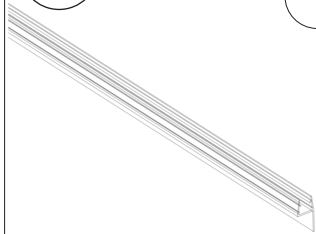
18



Strike Vinyl

x1

19



Bottom Sweep

x1

Installation Steps

1

NOTE

Place the **Wall Profile (#01)** on the hinge side of the opening. Be sure to account for the **2-3/8"** overall footprint of the shower door. **Fig 1a** Use a level to plumb the **Wall Profile**. Mark the position of the **Wall Profile** as well as the holes for drilling. **Figs 1b and 1c**

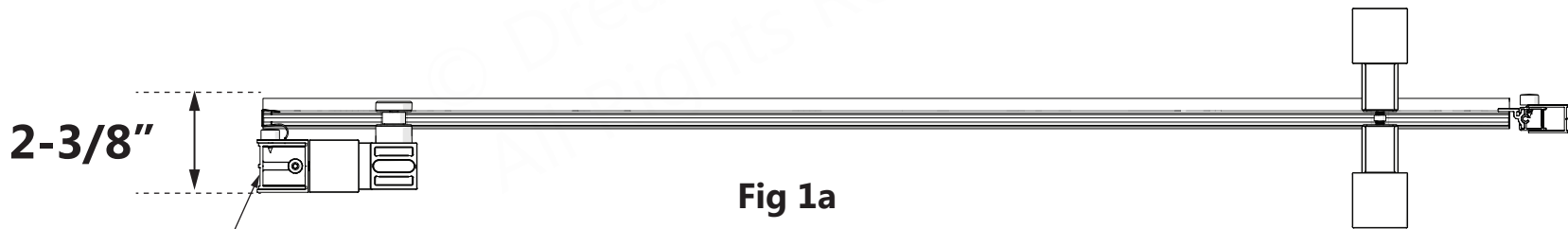


Fig 1a

Wall Profile to be installed

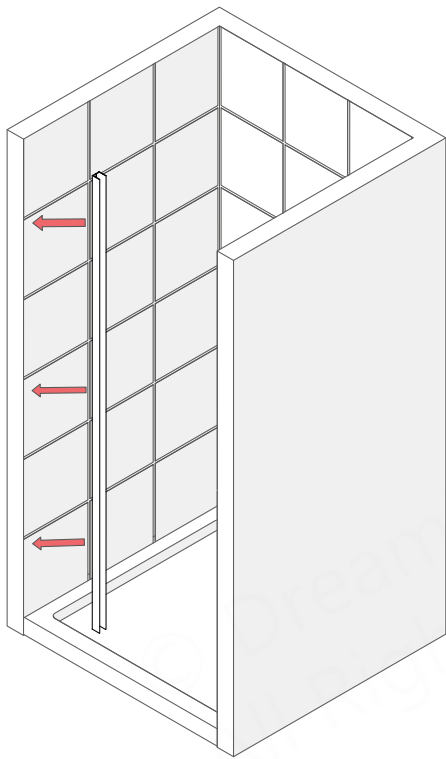
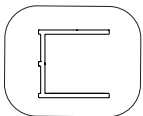


Fig 1b

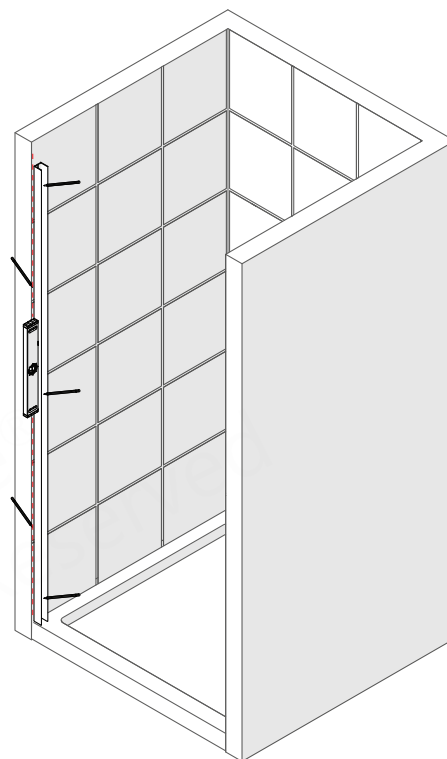
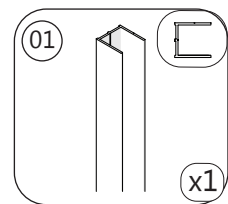
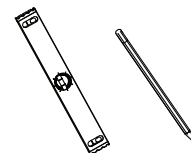


Fig 1c

Parts Needed



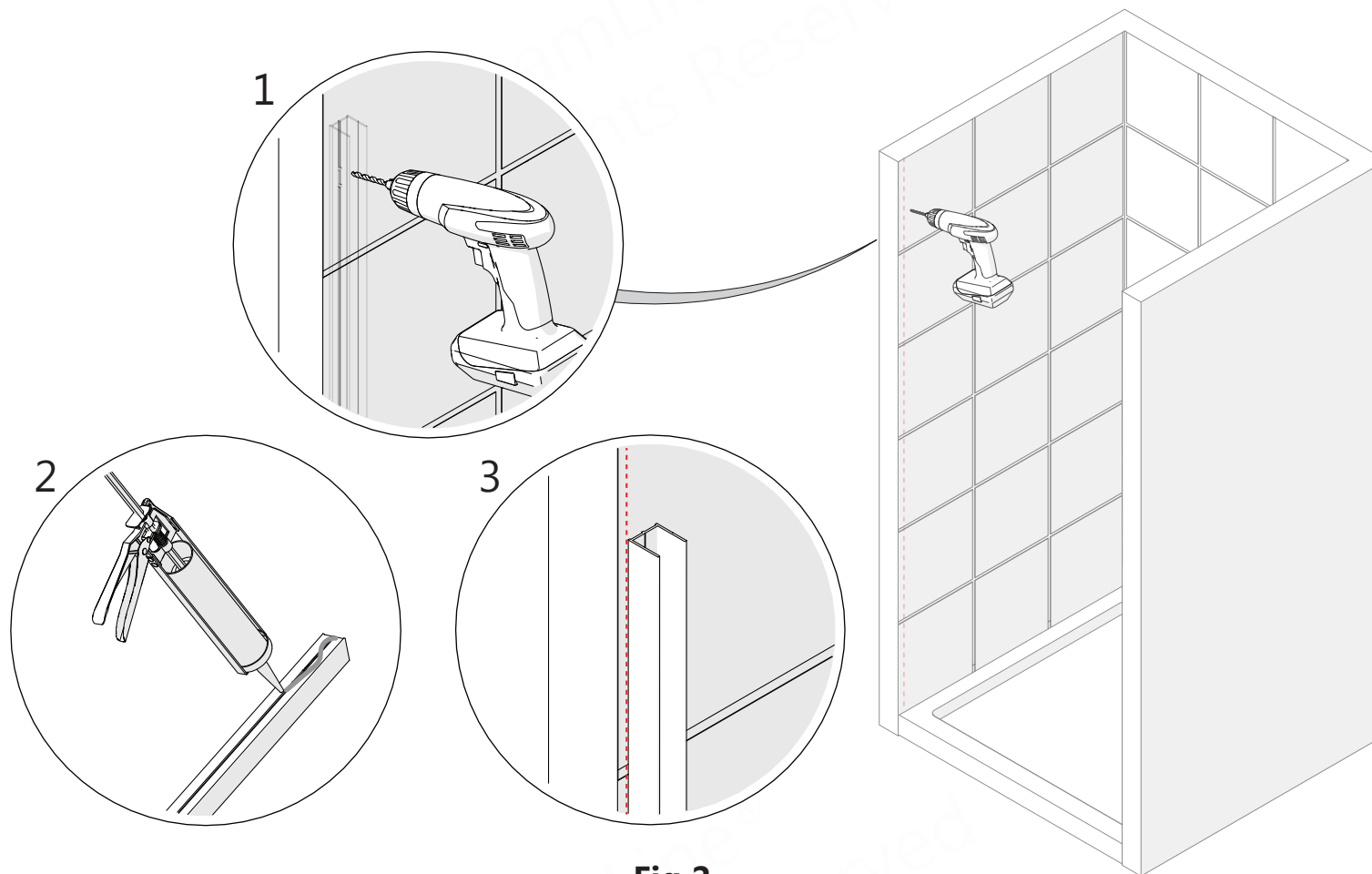
Tools Needed



2

NOTE

Using the drilling instructions below, drill holes on the marks just made. Apply a good quality, mildew resistant silicone to the back of the **Wall Profile** as well as in the screw holes and place the **Wall Profile** back on the marks made on the wall in **Step #1**. **Fig 2**

**Fig 2****NOTE**

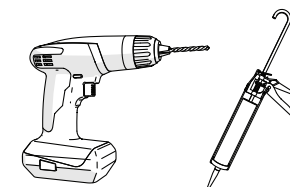
▪ **If a stud is present behind the wall:**

Drill a $\text{Ø}3/16''$ (4mm) hole to the stud, drill an $\text{Ø}1/8''$ (3mm) pilot hole into the stud and use the designated **screw**.

OR

▪ **If no stud is present behind the wall:**

Drill a $\text{Ø}5/16''$ (7mm) hole and insert a **Wall Anchor (#04)** and use the designated screw.

Tools Needed

3

NOTE

Align the **Wall Bracket (#2)** with the holes in the top of the **Wall Profile (#01)**. Install both with the **ST4.0 x 40 mm Screw (#03)**. Continue to install the **Wall Profile (#01)** using the **ST4.0 x 40 mm** screws. **Fig 3**

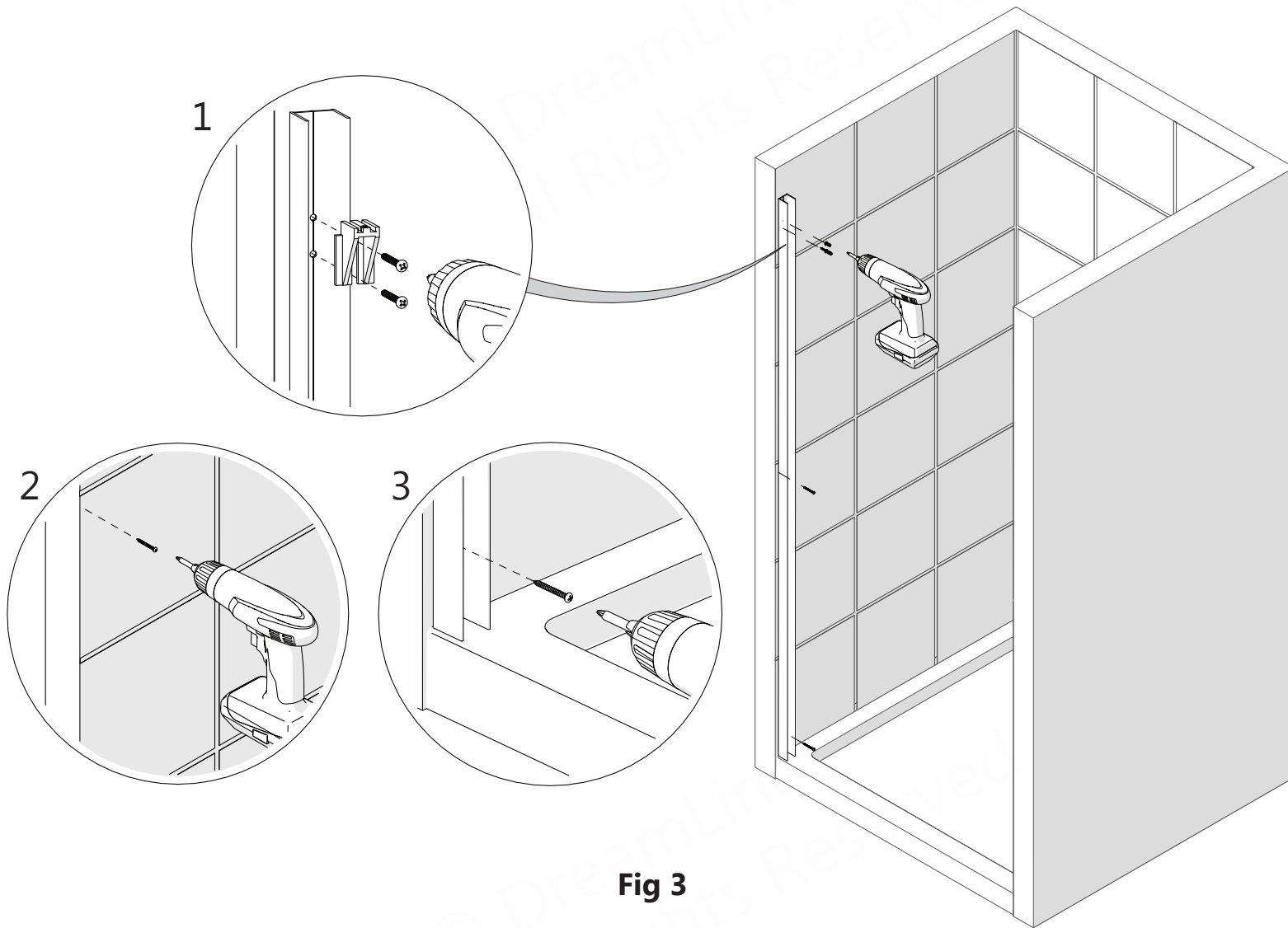
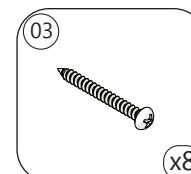
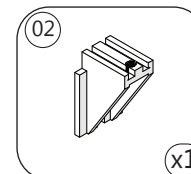
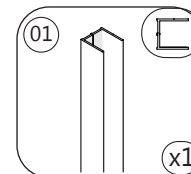


Fig 3

Parts Needed



Tools Needed



TIP

Always drill the correct size pilot holes according to the manual, and always use low torque and steady pressure when installing stainless steel screws.

4

NOTE

Install the **Vertical Vinyl Seal (#10)** on the hinge side of the **Door Glass (#05)**. Note the orientation of the **Vertical Vinyl Seal** in **Fig 4.1** and press it firmly onto the **Door Glass**. Look for a sticker indicating the **Top** of the Door Glass. Install the top and bottom **Pivots (#06)** to the **Door Glass (#05)** as shown, making sure they are tightly secured. **Fig 4**



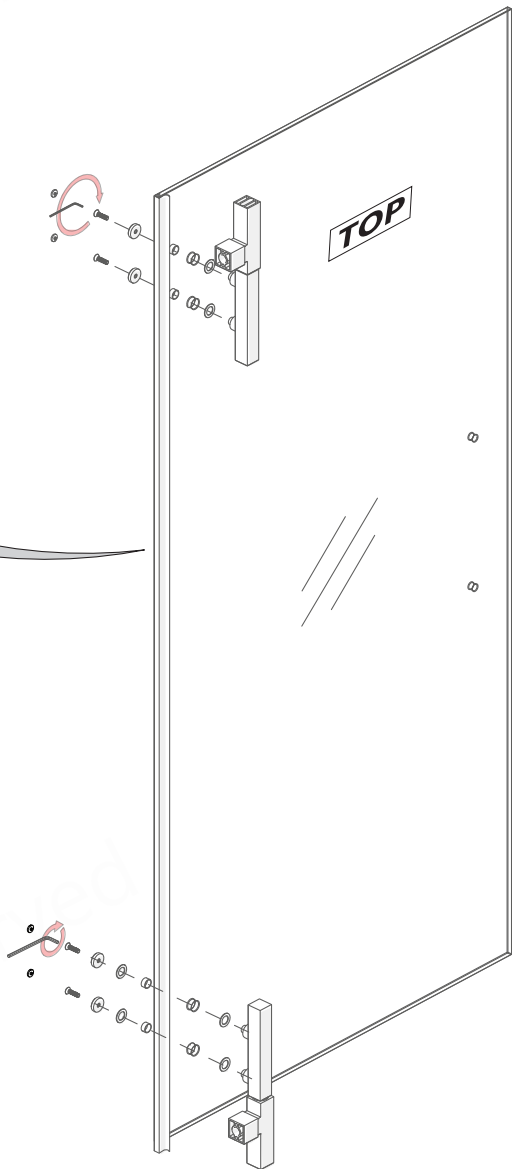
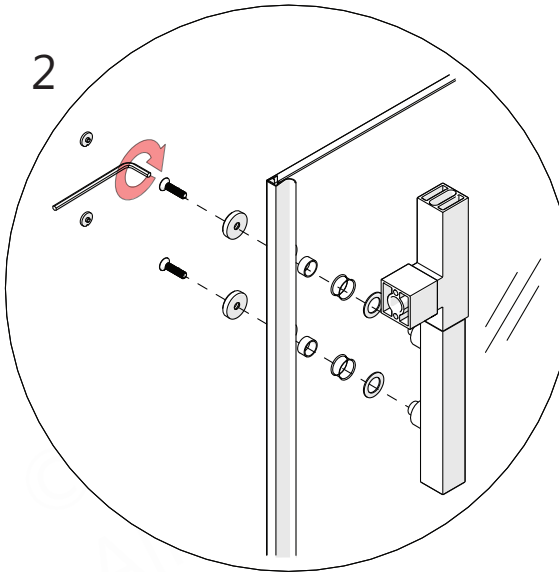
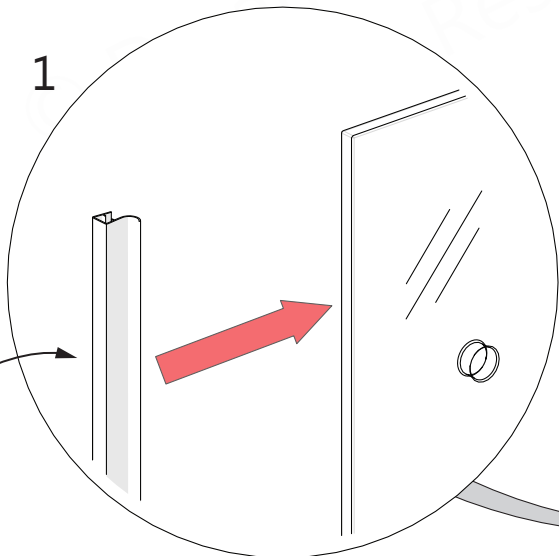
The **Door Glass** has a **Top** and a **Bottom**. Look for a sticker indicating the **Top** of the glass.

TIP

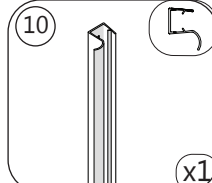
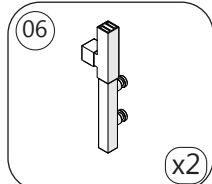
Note the position of the Vertical Vinyl Seal, with the rounded end facing the outside of the shower.

TIP

Be sure there are gaskets on both sides of the glass, between glass and metal.



Parts Needed



Tools Needed



Fig 4

5



Install the **Glass Profile (#07)** to the **Pivots (#06)** using the **M6 x 16mm Screws (#09)**. Note the **Glass Bracket (#08)** installs inside the top of the **Glass Profile (#07)**. Be sure the holes in the **Glass Profile** face the inside of the shower. Be sure all the screws are tight. **Fig 5**



Be sure the holes in the **Glass Profiles (#07)** face the inside of the shower.



The **Door Glass** has a **Top** and a **Bottom**. Look for a sticker indicating the **Top** of the glass.



If the **M6x16mm screws (#16)** do not align with the **Pivots (#06)** through the **Glass Profile (#07)**, loosen the pivots on the **Door Glass**, thread and tighten the **M6x16 screws**, then retighten the **Pivots** to the **Door Glass**.

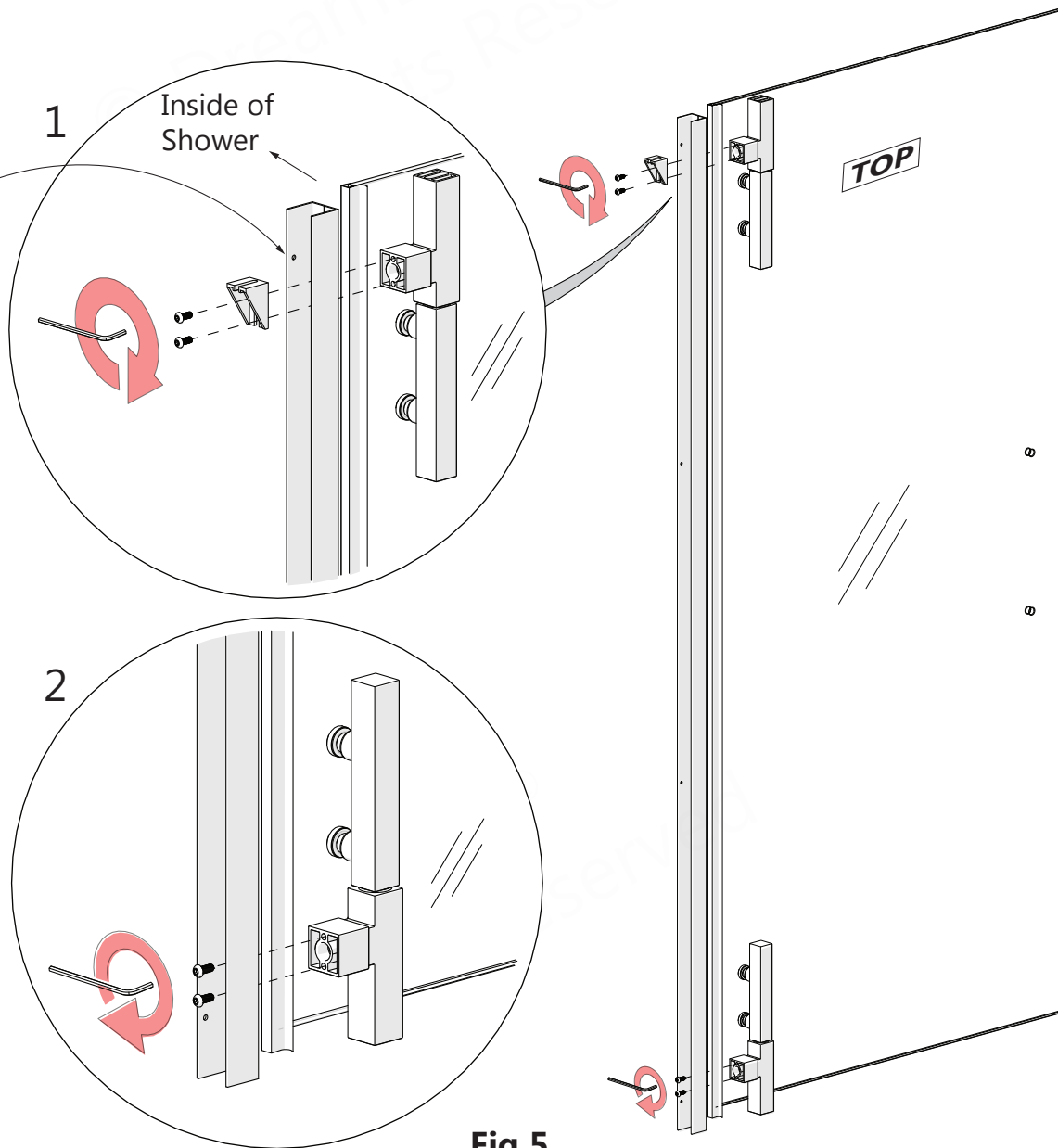
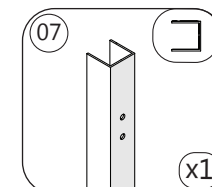
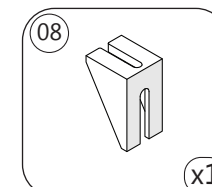
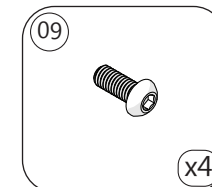


Fig 5

Parts Needed



Tools Needed



6



Measure out **4"** (101.6mm) from the hinge-side wall (next to the **Wall Profile**), and make a mark on the centerline of the installed **Wall Profile** (**#01**). **Fig 6.1**. Mark the threshold for drilling. Drill a **Ø 1/8"** (3mm) hole at the mark. Install the **ST4.0x40mm Screw** (**#03**) with **Threshold Block** from the bottom **Pivot Assembly** (**#06**). The center groove under the Bottom Pivot will sit on the **Threshold Block**. **Fig 6**

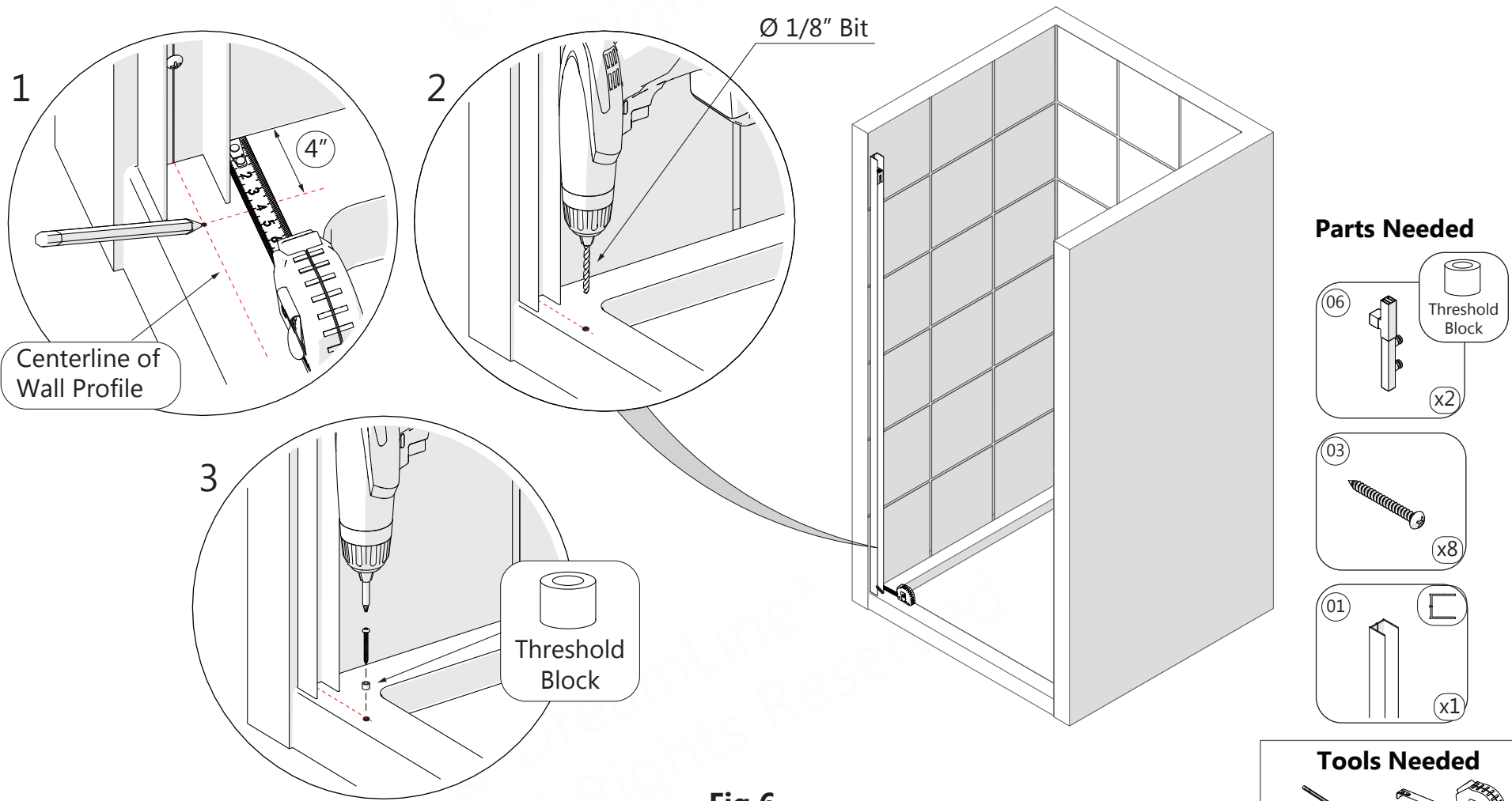
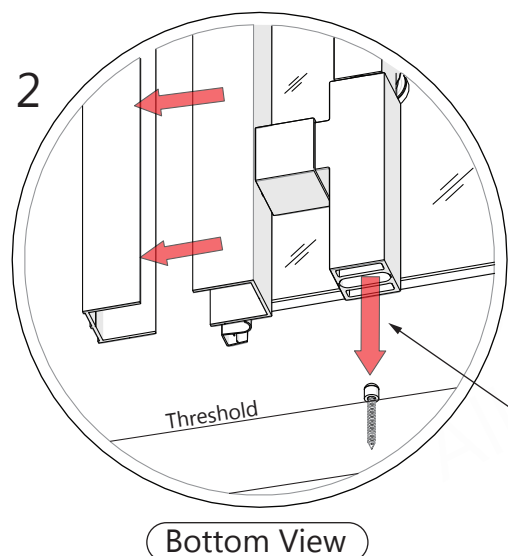
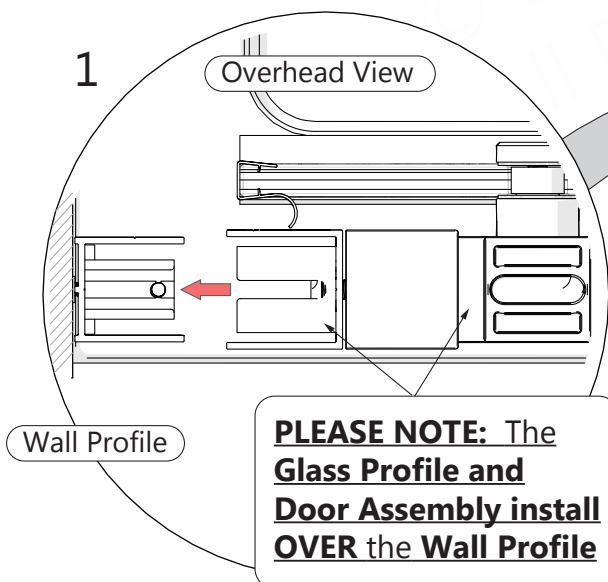


Fig 6

7

NOTE

Use a glass suction cup and a helper to carefully lift the **Door Assembly** into the opening. Slide the **Glass Profile (#07) over the outside** of the installed **Wall Profile (#01)**. Be sure the **Wall Bracket (#02)** and **Glass Bracket (#08)** inside the top of both **Profiles** interlock. The center groove in the **Bottom Pivot** must also fit over the **Threshold Block** installed in **Step 6**. Use the included 5/8" shims under the door glass. This protects the bottom edge of the glass while keeping the **Door Glass** at the correct height. Use a level to adjust the **Door Glass** until it is level and plumb. **Fig 7**



TIP

Use the 5/8" spacers under the **Door Glass** during installation to keep it at the correct height and protect the bottom edge of the glass.

The center groove in the **Bottom Pivot** must sit on the **Threshold Block**, which is secured to the threshold.

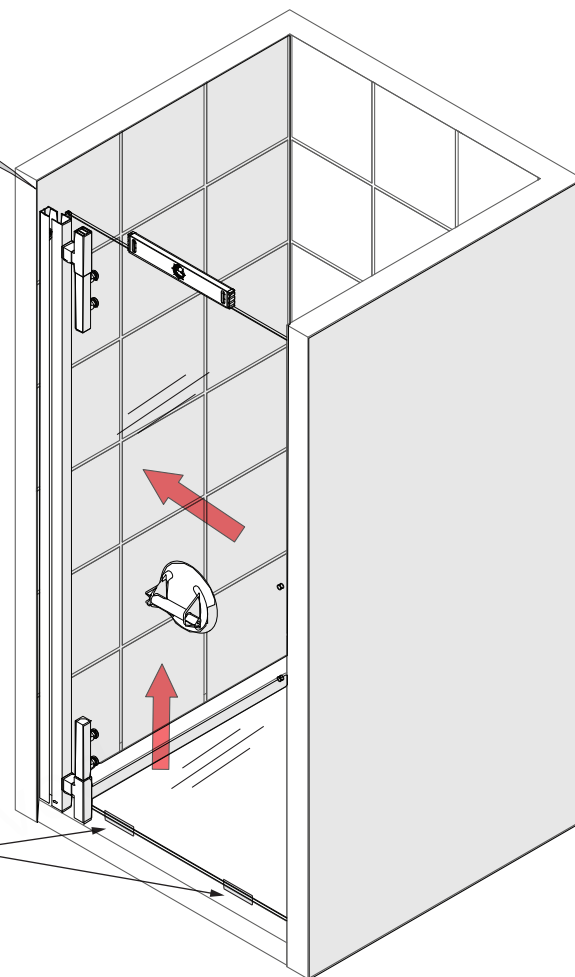


Fig 7

Tools Needed

8

NOTE

Once the door is adjusted to level and plumb, use the long end of an **Allen Wrench** to install the **M6x10mm Screw (#11)** and the **Lock Washer (#12)** to secure the two Brackets inside the Profiles.

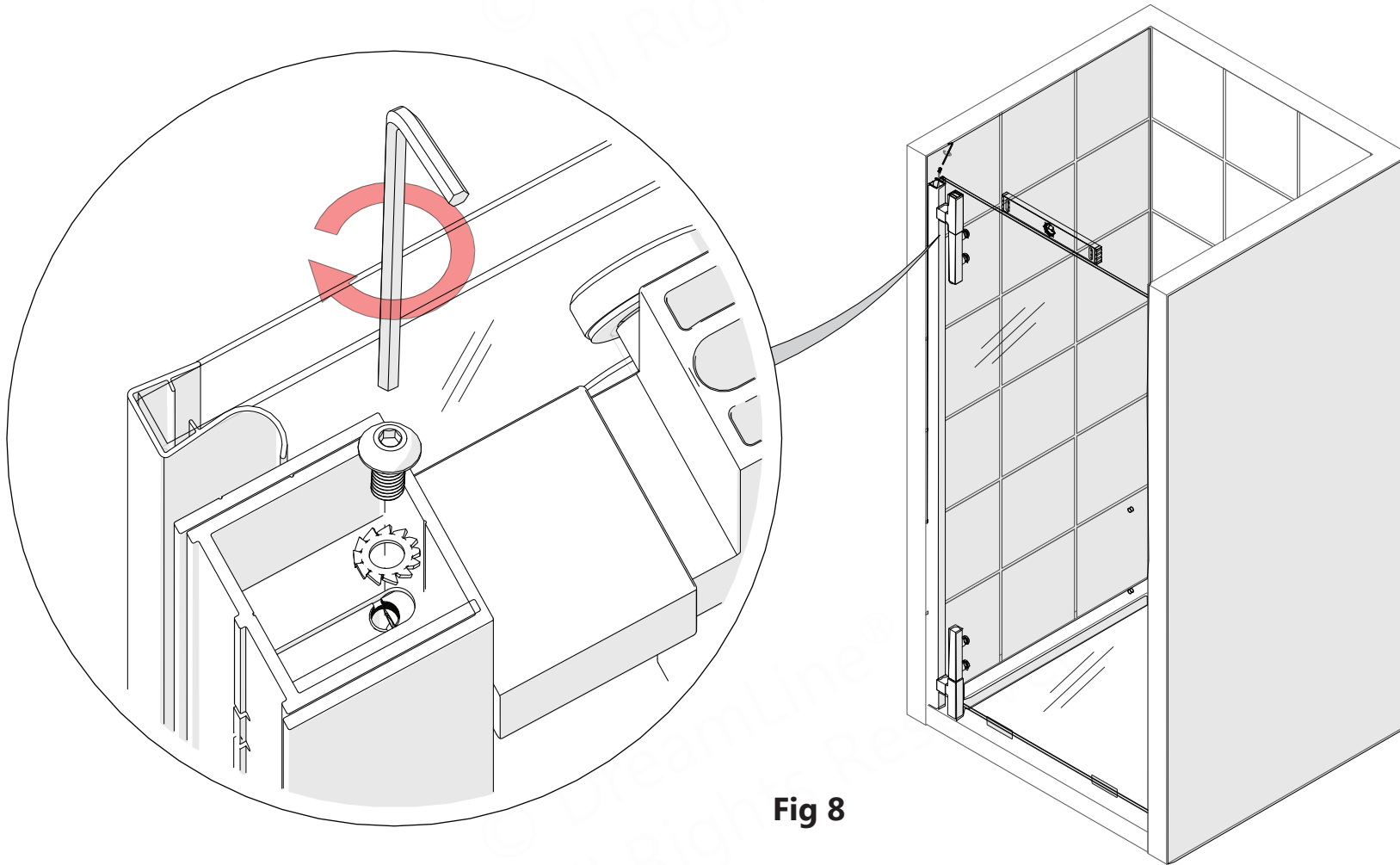
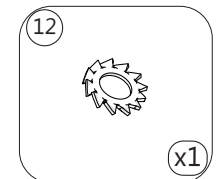
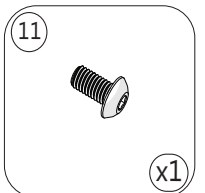


Fig 8

Parts Needed**Tools Needed**

9

NOTE

Install the **Handle (#15)** on the **Door Glass (#05)**, making sure there are gaskets on both sides of the glass. **Fig 9**

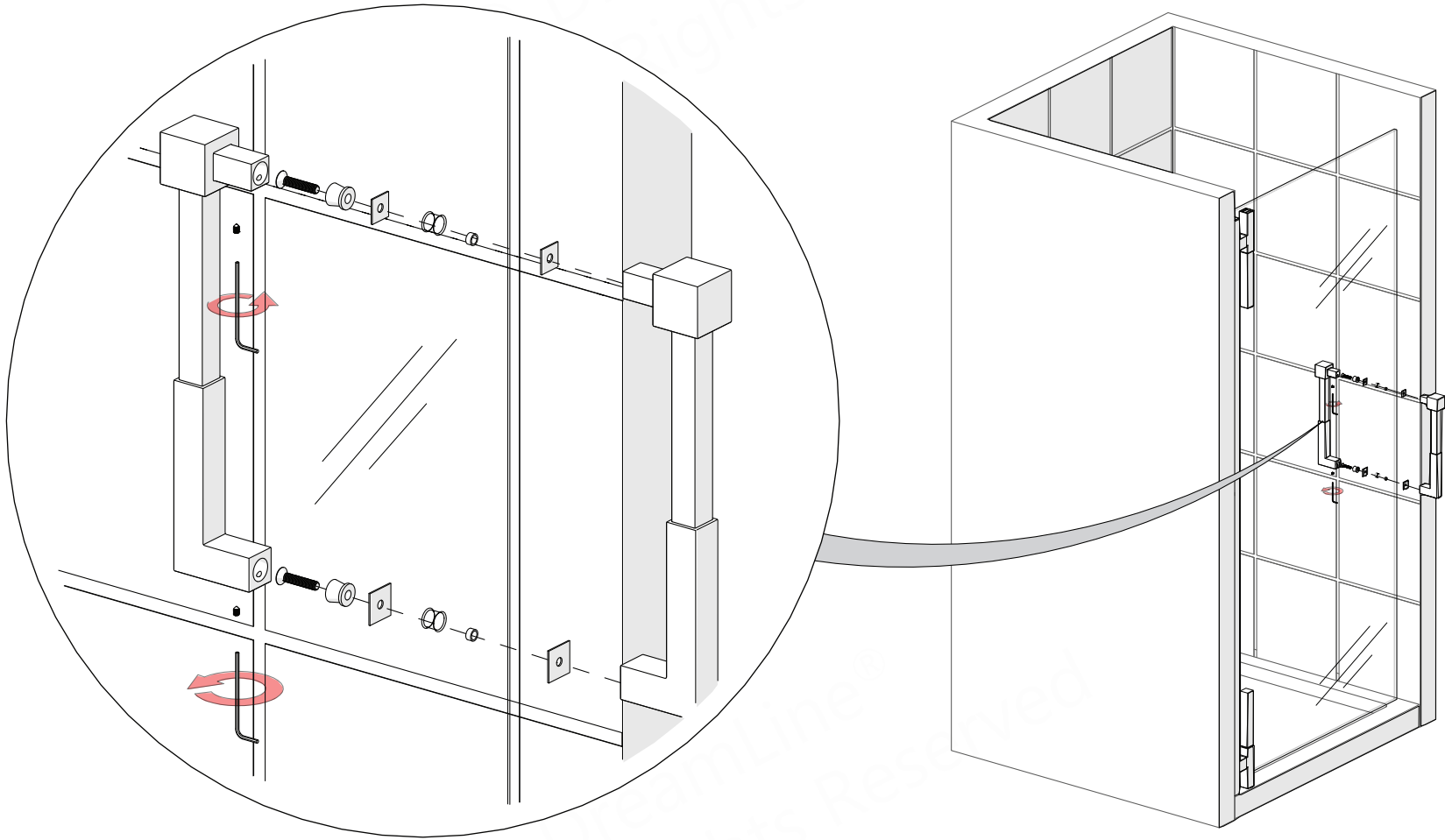
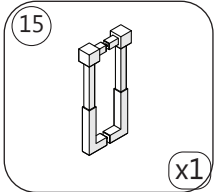


Fig 9

Parts Needed



Tools Needed



10

NOTE

Measure the bottom of the **Door Glass (#05)** from the edge of the **Vertical Vinyl Seal (#10)** to the opposite edge of the glass. Cut the **Bottom Sweep (#19)** to that length and install it on the bottom of the **Door Glass (#05)**, pushing it back and up until it rests against the **Vertical Vinyl Seal** and is flush with the opposite edge of the glass. **Fig 10**

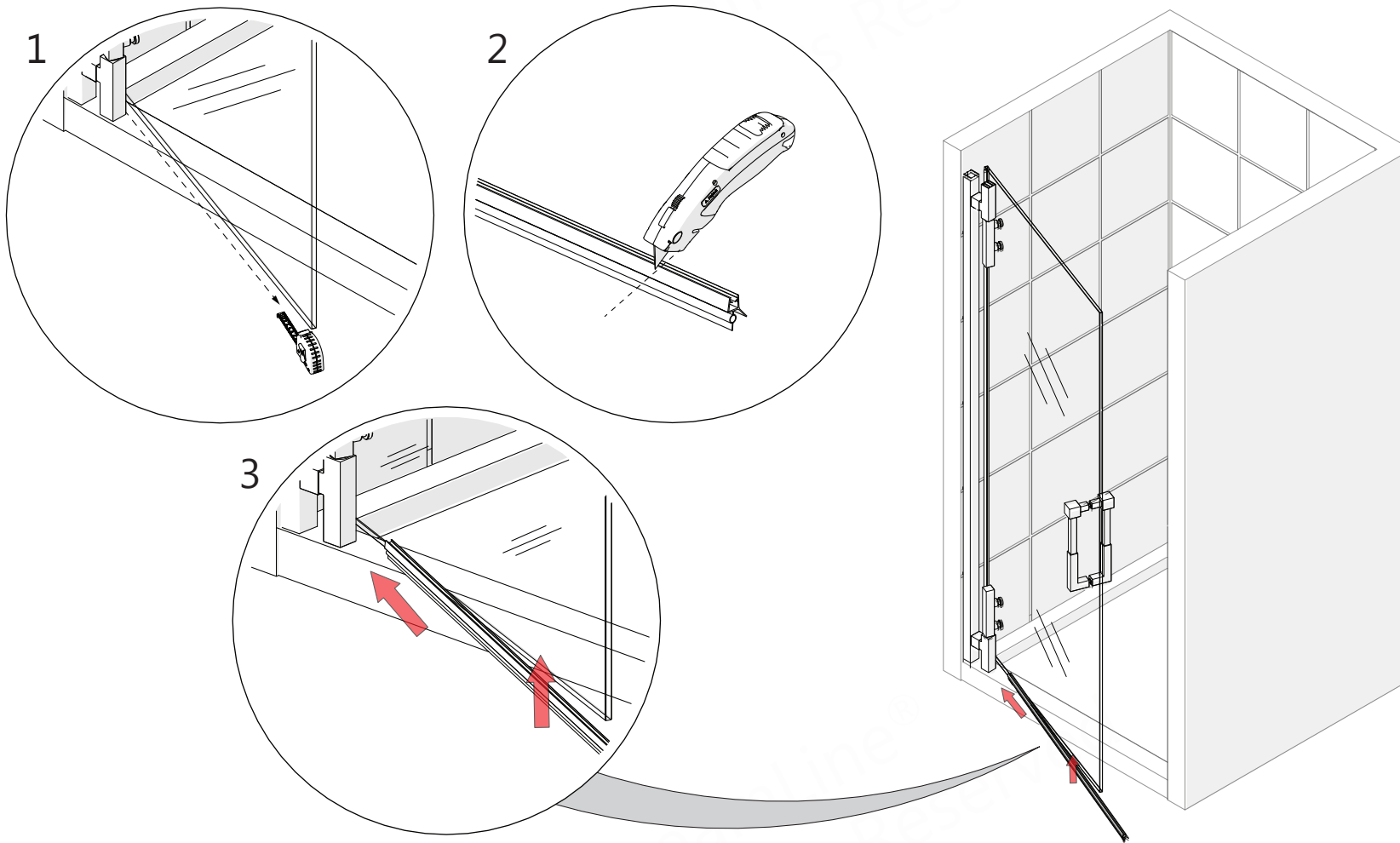
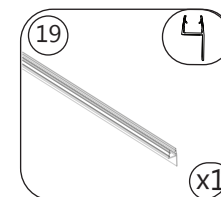
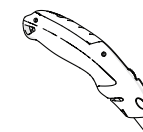


Fig 10

Parts Needed



Tools Needed



If installing this shower door along with an inline panel, switch to the inline panel manual at this point. If you're installing the door only, continue to the next step.

11

NOTE

Insert the **Strike Vinyl (#18)** into the **Strike Side Glass Profile (#17)**. Slide the **Strike Side Glass Profile (#17)** into the **Strike Side Wall Profile (#16)** and place the assembly in the shower opening on the strike side wall. Close the door against the assembly, making sure the **Door Glass** is even across the threshold. Make sure the **Strike Vinyl** and the **Door Glass** make even contact from top to bottom. Adjust the **Glass Profile** in and out as needed (**no more than 1/4" [6.35mm]**) to accomplish this. **Fig 11**

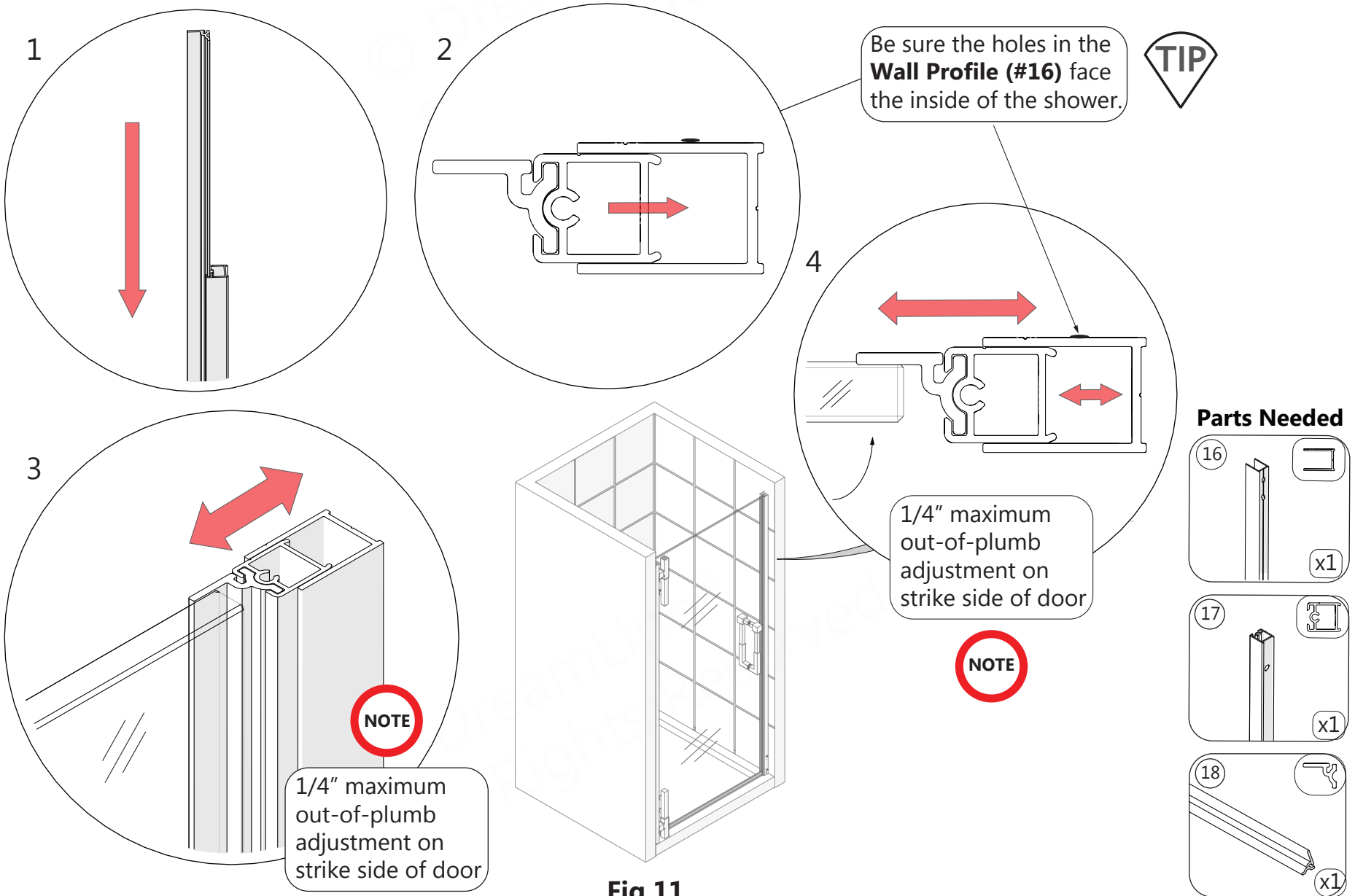
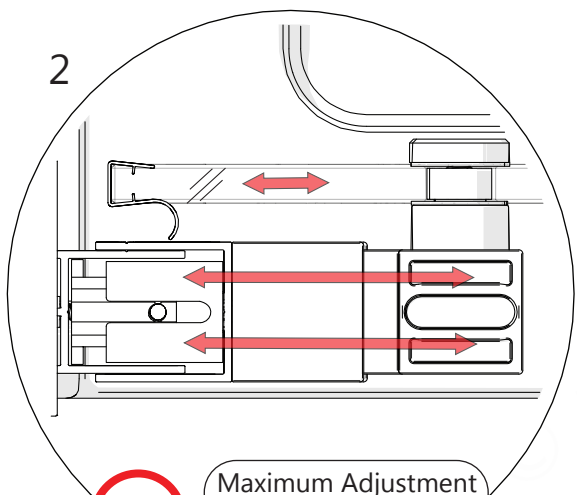
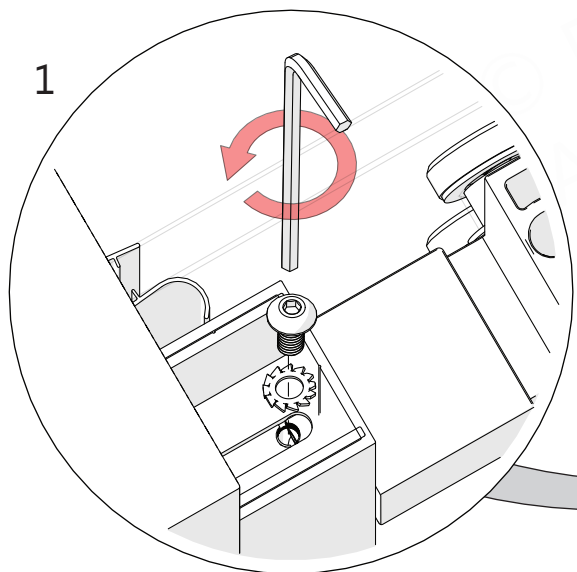


Fig 11

12

NOTE

If more adjustment is needed to line up the **Door Glass** and the **Strike Vinyl**, the hinge-side **Profiles** can be adjusted by as much as **1/2" (50mm)**. Have a helper hold the **Door Glass** with a suction cup. Place shims under the glass and loosen the top **M5 x 10mm Screw (#11)** and **Lock Washer (#12)** from **Step #8**. Move the **Door Glass** and **Glass Profile** as needed, then re-install the screw and lock washer, making sure the door is at the correct height. **Fig 12**



NOTE

Maximum Adjustment of hinge-side profile is 1/2". Do Not Exceed.



TIP

Be extremely careful when shifting the Door Glass, Pivots and Glass Profile. Use shims under the sweep to help protect the glass and keep it at the correct height. Always use a helper to adjust heavy glass.

Tools Needed

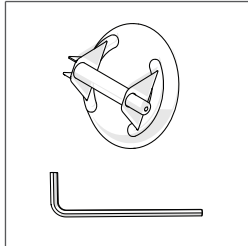


Fig 12

13

NOTE

Once final adjustments are made, mark the position of the **Strike Side Wall Profile (#16)**. Open the Door Glass, remove the **Profile Assembly** and slide the **Wall Profile** off of the **Glass Profile (#17)**. Place the **Wall Profile** back on the marks just made and mark the holes for drilling. Drill $\varnothing 1/8"$ (**3mm**) holes. Apply silicone to the back of the **Wall Profile** and in the screw holes. Install the **Strike Side Wall Profile** using the **ST 4.0 x 40mm screws (#03)**. Slide the **Strike Side Wall Profile (#16)** back into the **Wall Profile** but don't connect the two profiles yet. **Fig 13**

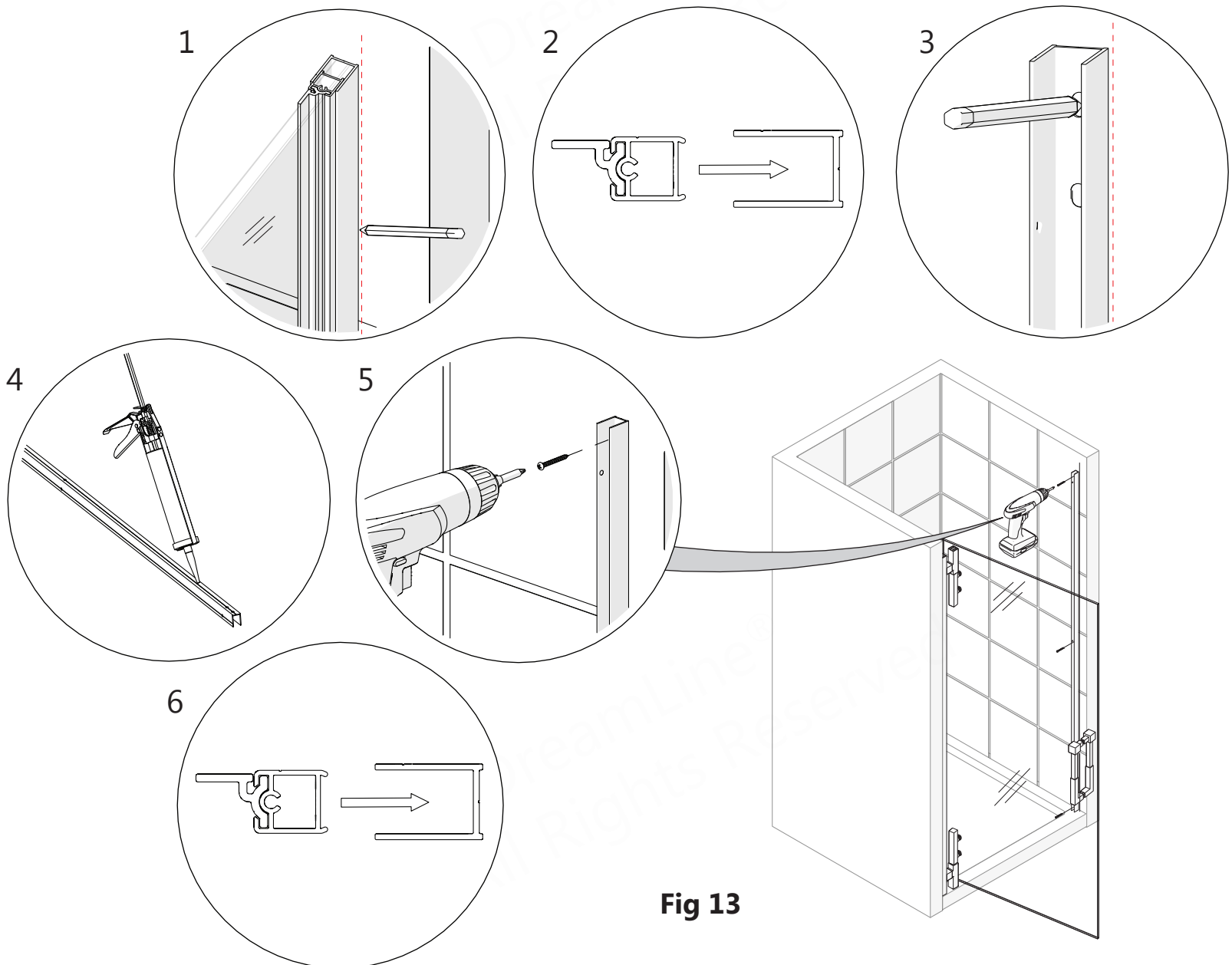


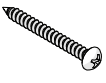
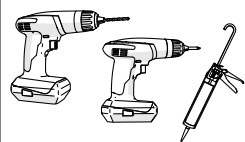


Fig 13

Parts Needed

- 16  x1
- 17  x1
- 03  x8

Tools Needed



14

NOTE

Place shims beneath the **Door Glass** while making final adjustments to the shower door. Check that the glass is level, meets the strike vinyl evenly and the pivot assembly hasn't moved. Next, carefully open the **Door Glass** (making sure nothing shifts) and drill **Ø1/8" (3mm)** holes through the pre-drilled holes into both **Wall Profiles**. Drill through only one layer of the **Wall Profile**. Use a Phillips Screwdriver to install the **Washers and Caps (#14)** and the **ST4.0x 10mm Pan Head Screws (#14)**. **Fig 14**

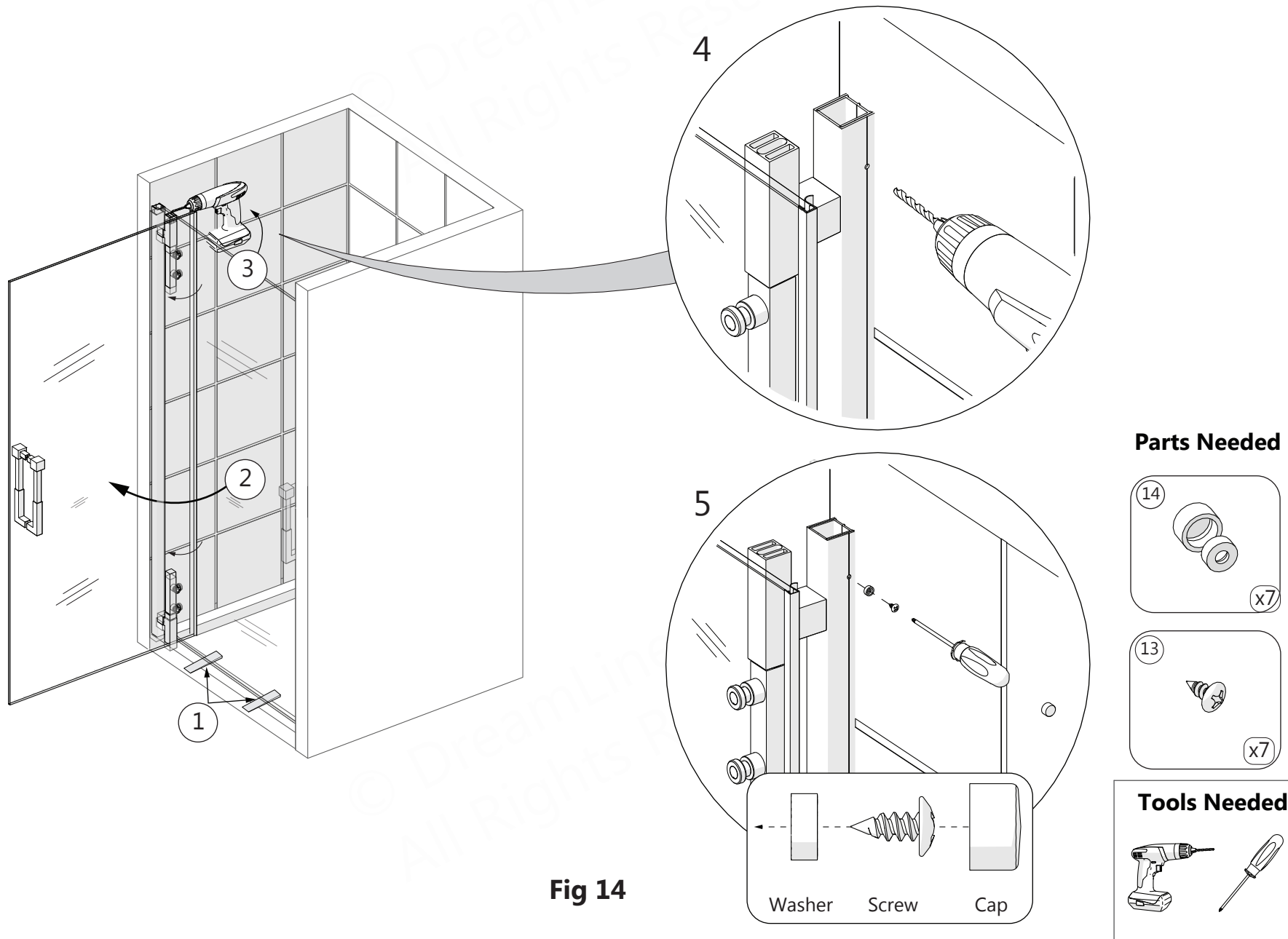
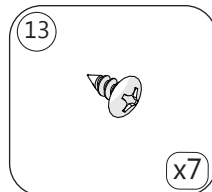
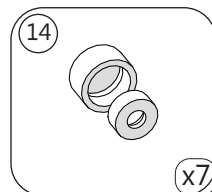
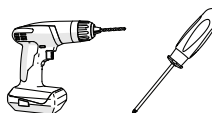


Fig 14

Parts Needed



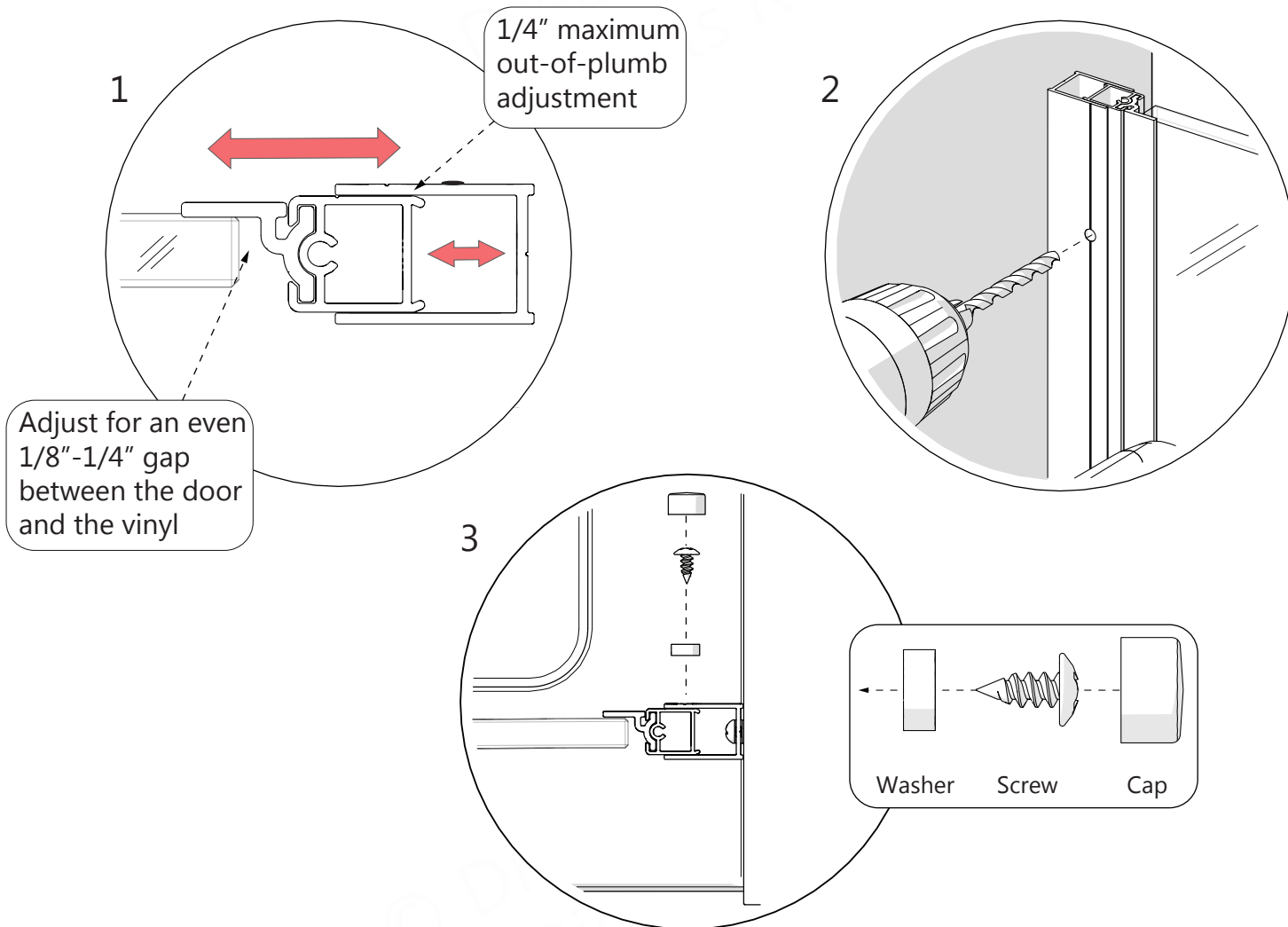
Tools Needed



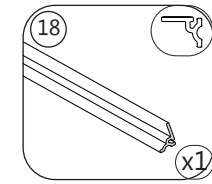
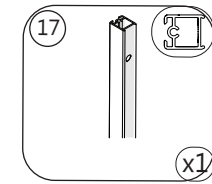
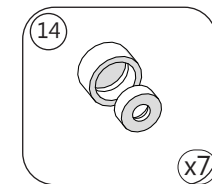
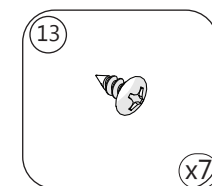
15

NOTE

Adjust the **Strike Side Glass Profile (#17)** in and out of the **Wall Profile (#16)** to achieve an even gap (1/8"-1/4") between the **Door Glass** and the **Strike Vinyl** from top to bottom. Use a **1/8" (3mm)** drill bit to drill through the pre-drilled holes in the **Wall Profiles**. Drill only through the first layer of the **Strike Side Glass Profile (#17)**. Attach the profiles using the **ST4.0 x 10mm screws (#13)** and the **Decorative Washers and Caps (#14)** Fig 15



Parts Needed



Tools Needed



Fig 15

16

NOTE

From inside the shower, close the **Door Glass** and mark the **Sweep Vinyl (#19)** at the edge of the **Strike Vinyl (#18)**. Use a razor knife to remove just the inside aspect of the **Strike Vinyl**, so the **Door Glass** closes cleanly against the **Strike Vinyl**. **Fig 16**

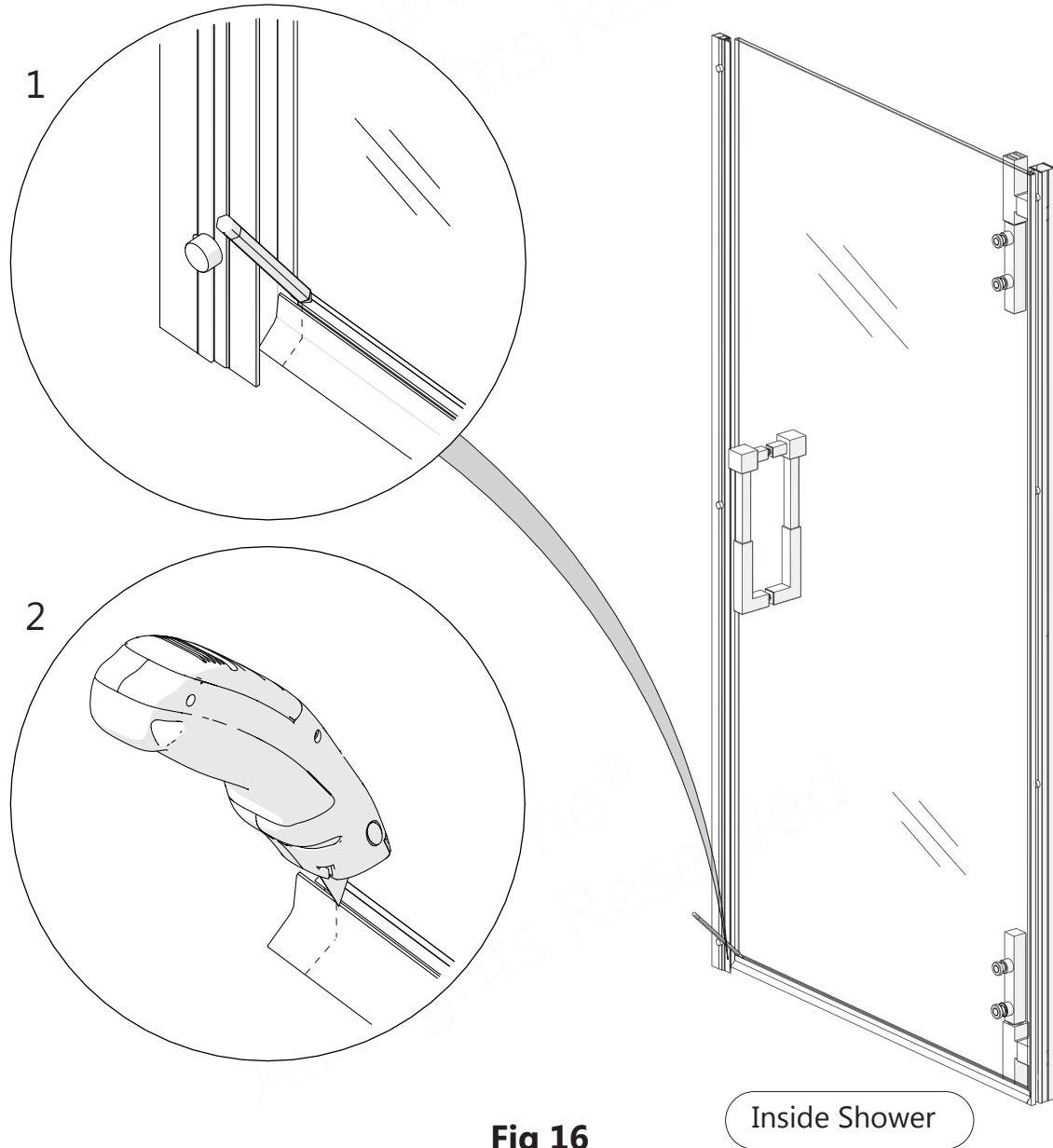
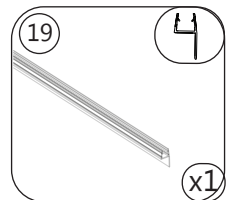
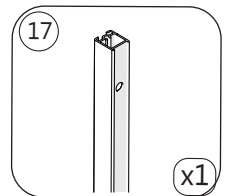


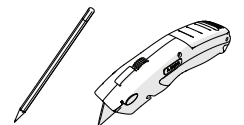
Fig 16

Inside Shower

Parts Needed



Tools Needed



17

NOTE

Apply a good-quality, mildew-resistant silicone to the entire interior perimeter of the shower. Allow 24 hours before the shower is used, to allow the silicone to fully cure. **Fig 17**

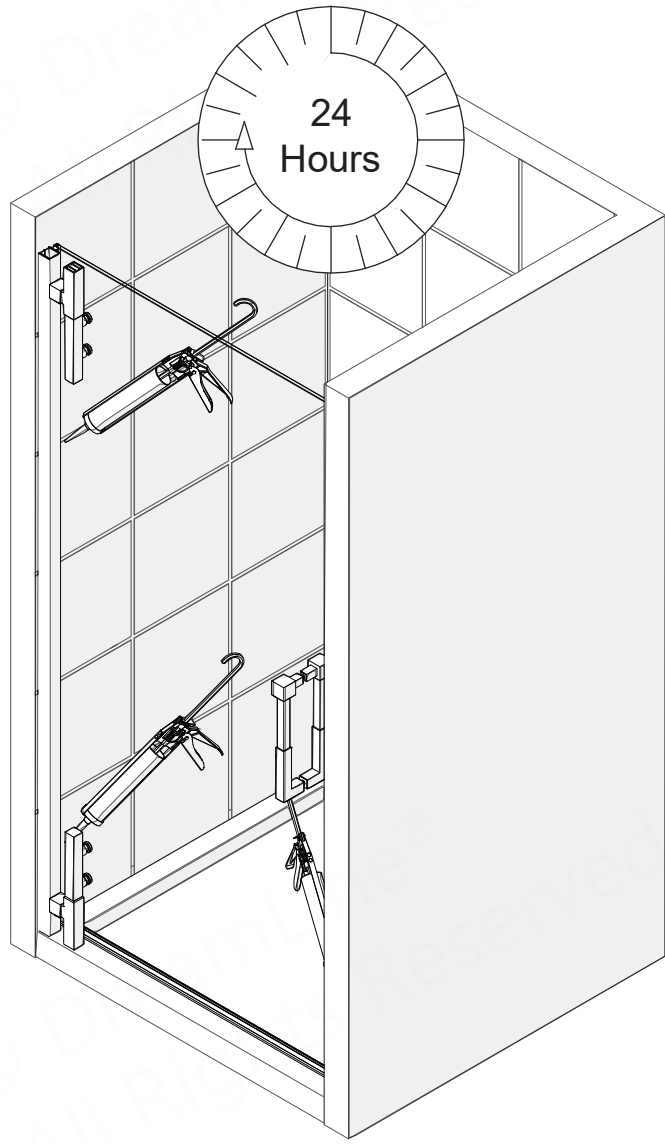
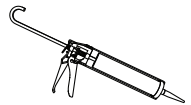


Fig 17

Tools Needed



Product Maintenance

BASES and BACKWALLS: To ensure long lasting life for your acrylic back walls: wipe them off after each use with a soft cloth. To clean the acrylic back walls use non-abrasive sprays or cream based cleaners. Avoid the use of aerosol spray cleaners. Never use abrasive cleansers, metal brushes or scrapers that could permanently scratch or dull the surface.

GLASS: To ensure long lasting life for your glass shower products: wipe them off after each use with a soft cloth. Rinse and wipe off the glass using either a soft cloth or a squeegee to prevent soap buildup and water spots (Hard water can etch the surface of the glass over time if left to dry). To prevent scratching the surface: never use abrasive cleaners or cleaning products that contain scouring agents. Never use bristle brushes or abrasive sponges that may scratch the surface of the glass.

HARDWARE: To ensure a long lasting finish: wipe off all metal parts after each use with a soft cloth. Do not use abrasive cleaners or cleaning products containing ammonia, bleach or acid. If accidentally used, rinse the surface as soon as possible to prevent damage to the finish (peeling or corrosion). After cleaning the polished finishes, rinse thoroughly and wipe dry with a soft, clean cloth. Clean stainless steel surfaces at least once a week. When applying stainless steel cleaner or polish to stainless steel hardware, work with the grain (not across the grain). Never use an abrasive sponge or cloth, steel wool or wired brush as these may permanently scratch the surfaces.



To maximize the life of your door, it is important to regularly inspect the glass and other hardware for misalignment, proper attachment, and/or damage. Contact DreamLine® with any questions or concerns.

ASCEND Shower Door Maintenance Checklist

- Check that the unit is stable, operates smoothly and that installation is secure.
- Confirm that all screws/bolts are tight.
- Confirm that all vinyl seals are intact (replace if missing or damaged to prevent water leakage.)
- Inspect exposed and concealed glass edges for damage **(damaged glass must be replaced!)**
- Inspect silicone caulk for gaps. Replace silicone as necessary to prevent water leakage.

Troubleshooting

Problem/Symptom	Suggested Solution	Page(s)
Missing Parts	<ul style="list-style-type: none"> •Check all shipping/packaging material for missing parts/components. •If not found, contact DreamLine Customer Support [1-866-731-2244] to order factory part replacement. 	--
Door not closing smoothly	Check that the Door Glass (#05) is plumb and level; check that the M6x10mm Screw (#11) and Lock Washer (#12) inside the top of the Wall Profile and Glass Profile are tight against the Brackets (#02, #08) and that the brackets are interlocked as described in Step 7 on Page 14.	14, 15
Water leaking from shower	Check that all Vinyls are intact and installed correctly. Replace as needed. Check the silicone caulk around the interior perimeter. Replace any missing or damaged caulk by removing the old caulk and applying new silicone caulk.	11, 17, 18
Door not closing evenly against strike vinyl	Loosen and remove the Washers and Caps (#14) and the ST4.0x10mm Screws (#13) . Adjust the Glass Profile (#17) and the Strike Vinyl (#18) as needed, then replace the washers, screws and caps. Check that the Sweep Vinyl (#19) is correctly notched to fit around the Strike Vinyl (#18) .	21, 22
Handle is loose	Check that the set screws are tight. Be sure gaskets are used on both sides of the glass.	16
Door Rattles	Check that all screws are tight where the Pivots (#06) attach to the Door Glass (#05) . Check that the Glass Profile (#07) (Part of the Door Assembly) sits correctly over the Threshold Block (#06) .	11, 13



Prior to contacting DreamLine® Customer Service, please have the following information readily available:

- Purchase Order Information
 - Name, PO Number, Dealer/Vendor Name, etc.
- SKU/Model Number (see inside Cover Page)
- Factory Part Information (see Pages 26-27)

Factory Parts Information

ASCEND {SDAD27D720}		FACTORY PARTS INFORMATION	
ITEM #	FACTORY PART NUMBER	ITEM DESCRIPTION	QTY
01	042580 X 1-1828	Wall Profile	1
02	07020241	Wall Bracket	1
03	091107	ST4.0 x 40mm Screw	7
04	07552148	Wall Anchor	7
06	0702 X 243	Pivot	2
07	042430 X 1-1828	Glass Profile	1
08	07020242	Glass Bracket	1
09	095214	M6 x 16mm Screw	4
10	061071100-1828	Vertical Vinyl Seal	1
11	095212	M5 x 10mm Screw	1
12	096016	Lock Washer	1
13	091101	ST4.0 x 10mm Screw	7
14	07551011	Washer/Screw/Cap	7
15	0722 X 095	Handle	1
16	042440 X 1-1828	Strike Side Wall Profile	1
17	042430 X 1-1828	Strike Side Glass Profile	1
18	063067000-1828	Strike Vinyl	1
19	063006100-0857	Bottom Sweep	1

BOLD digit indicates finish:

1 or 8 = Polished SS

4 or 5 or 7 = Brushed SS

6 = Oil Rubbed Bronze

9 = Satin Black

Contact Support@DreamLine.com for Part replacement, installation assistance or additional information.

Complete **Warranty** information is available on DreamLine.com.

Factory Parts Information

ASCEND {SDAD27D720}		DOOR GLASS INFORMATION	
ITEM #	FACTORY PART NUMBER	ITEM DESCRIPTION	QTY
05	010043008	Door Glass: 71" (1811mm) X 34"(857mm) X 3/8" (10mm) / Clear / 2-sided ClearMax	1
05	010043010	Door Glass 71" (1811mm) X 29" (731mm) X 3/8" (10mm) / Clear / 2-sided ClearMax	1
05	010043011	Door Glass 71" (1811mm) x 28" (705mm) x 3/8" (10mm) / Clear/ 2-sided ClearMax	1
05	010043009	Door Glass 71" (1811mm) x 26" (654mm) x 3/8" (10mm) / Clear / 2-sided ClearMax	1
05	010043012	Door Glass 71" (1811mm) x 31" (807 mm) x 3/8" (10mm) / Clear / 2-sided ClearMax	1

Contact Support@DreamLine.com for Part replacement, installation assistance or additional information.

Complete **Warranty** information is available on DreamLine.com.



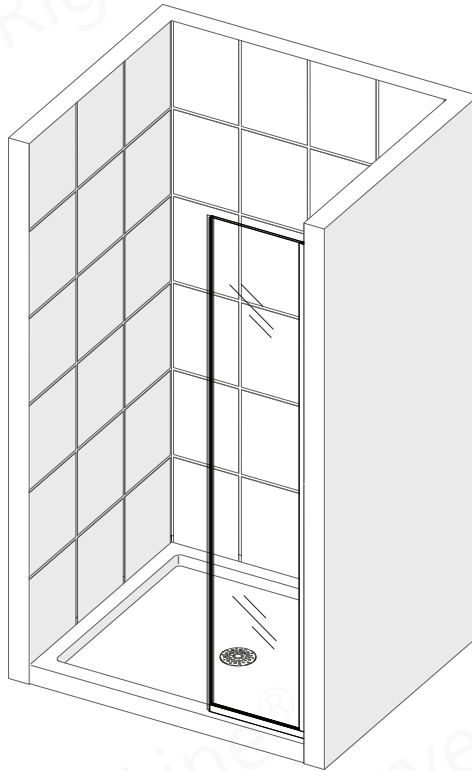
TEL: 866-731-2244
FAX: 866-857-3638
DREAMLINE.COM

For more information on DreamLine® Shower Doors and Enclosures please visit **DreamLine.com**

INLINE PANEL

INLINE PANEL GLASS INSTALLATION INSTRUCTIONS

PLEASE REVIEW THIS ENTIRE MANUAL PRIOR TO INSTALLATION



right-hand inline panel installation shown

IMPORTANT!

DreamLine[®] reserves the right to alter, modify or redesign products at any time without prior notice for the purpose of product improvement and customer experience. Please refer to the model's web page on **DreamLine.com** for the latest technical drawings, installation manuals, warranty information or additional product details.

Do Not Return Product to the Store. Contact DreamLine[®] with any questions



Questions?

Please contact DreamLine Customer Support
See [DreamLine.com](https://www.dreamline.com) for hours of operation

Support@DreamLine.com

1-866-731-2244





Do not remove ClearMax stickers until glass is installed.



This model is treated with DreamLine's exclusive ClearMax™ Glass technology. This is a specially formulated coating that prevents the build up of soap and water spots.

Install the surface with the ClearMax™ label towards the inside of the shower. Please note that depending on the model, the glass may be coated on either one or both surfaces.

For best results, squeegee the glass after each use and dry with a soft cloth.

Record the following purchase information for your records or in the event you need to contact DreamLine®:

Purchase Order Number _____

Store/Vendor Purchased From _____

Installation Date _____

OD Number (optional) _____
located on the shipping box or label if available.


Installed By: _____

SKU Number _____


Table of Contents

Section Title	Page #
ClearMax™ Coating Information	—
Warnings and General Preparaton	2
Model Specific Preparation	3
Tools	4
Detailed Diagram of Inline Panel Glass Components	5
Parts List	6
Installation Steps	8-17
Product Maintenance	18
Troubleshooting	19
Factory Parts Information	20


Symbol Legend




TIP - for ease of installation.




CORRECT - recommended.



NOTE - take note of special feature; additional information.

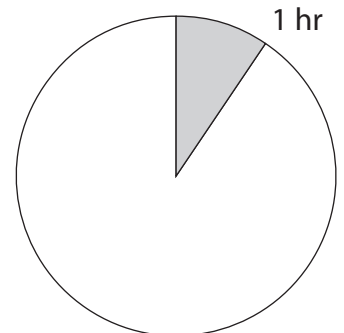


INCORRECT - not recommended.



REQUIRED - requires special attention; signifies a warning.

Average Installation Time



IMPORTANT

- DreamLine® reserves the right to alter, modify or redesign products any time without prior notice for product improvement and customer experience. Please refer to the model's web page on DreamLine.com for the latest technical drawings, installation manuals, warranty information or additional product details.
- This product should be installed by someone familiar with the construction requirements for this type of project and the care necessary for the safe installation and operation of the product.
- The safety of any installation is the responsibility of the installer.
- Professional installation recommended. (*All Models*)
- Professional installation required. (*Enigma Series*)
- To prevent damage or serious injury, Do Not lean against the installed panel/door/glass.
- To prevent damage or serious injury: Do Not attempt to lift or move a heavy lite of glass alone. Use an assistant and/or a professional grade glass suction cup.
- The installation of some models may require drilling down into the threshold. Contact the manufacturer of the base, tub, or threshold material with any questions regarding the drilling of holes into their product.
- All drawings in this installation manual are for illustrative purposes only and are not drawn to scale.

TEMPERED GLASS WARNING

- Your Shower Door Glass Could Shatter Without Warning if Improperly Installed or Mishandled
- Do Not install or operate a shower door if the glass has chipped corners, slivered edges or is otherwise damaged and/or has been dropped or banged into a hard surface such as tile, marble or glass.
- **The main causes of tempered glass breakage are:**
 - Improper handling, storage or installation
 - Misuse/abuse
 - Lack of maintenance
 - Failure to replace damaged glass
 - **Improper handling during storage, unpacking and installation:**
 - Corners and edges are the most susceptible area to damage on a lite of tempered glass and should be protected and handled with care during storage, unpacking, installation and operation. A concentrated point of pressure or impact with a surface harder than itself may cause the tempered glass to shatter. The tempered glass may release immediately, within several hours or even days later.
 - **Incorrect installation of door hardware, rollers, hinges, channels, stopper or glass:**
 - Improper installation may include: loose hardware and/or lack of proper gaskets between the hardware and glass. Additionally, improper alignment of guide rails, wall profiles or other hardware during installation or operation may place stress on the glass edges and cause it to break.
 - This product must be installed by a professional and experienced installer familiar with the safe handling of tempered glass.
 - **Improper use of this product:**
 - Aggressively opening or closing the door may cause trauma to the glass, which can lead to breakage. This may occur immediately or hours or even days later.
 - **The shower door hardware and glass should be inspected periodically:**
 - Instruct the homeowner how to perform a periodic inspection of the shower hardware and glass - some minor adjustments may be necessary based upon the use (or misuse) of the shower door. Ensure that the hardware remains tight and that the door alignment and operation are correct. Any adjustments should be made upon discovery to prevent damage to the product.
 - Additional considerations should be given to the installation of frameless tempered glass products in households with young children or an elderly person due to an increased chance of improper handling. In such cases, alternatives such as shower curtains or grab bars should be considered.

GENERAL PREPARATION

- After opening all boxes and packages, read this introduction carefully. Check that all the items are included in the package by marking off the components on the "**Detailed Diagram of Product Components**" page. Examine all boxes and packages for shipping damage. If the unit has been damaged, has a finishing defect, or is missing parts; please contact our Customer Support department within 3 business days of the delivery date. **Please note that DreamLine® will not replace any damaged products or missing parts free of charge after 3 business days or if the product has been installed.** Please contact DreamLine® if you have any questions.
- **Please note that you should refer to your local building codes with questions on installation compliance standards. Building and plumbing codes may vary by location, and DreamLine® is not responsible for code compliance standards for your project and will not accept any returns.**
- If this unit is going to be installed in a new construction, install all the required plumbing and drainage before installing the shower. **Use a competent and licensed (if required by local code) plumber for all plumbing installation.**
- Make sure that prior to beginning the installation, the surfaces are leveled and solid and will be able to support the total weight of the unit. Also make sure the walls are at right angles. Irregular installation surface level, radius corners or improper angle of side walls will result in serious problems for your installation. Please note that some adjustments and drilling will be necessary during the installation process.
- Protect all primary surfaces of the product during installation. Never set your glass down directly onto a tile floor. Leave corner protectors in place until it is necessary to remove them. Always use a piece of wood or cardboard to protect the bottom edge and corners of the glass prior to and during installation.
- This unit must be installed upon a finished threshold and against finished walls.
- *DreamLine® shower doors are not designed to be installed into a fiberglass surround due to the radius corners and lack of a solid surface to mount the hardware.*

WARNING: TO AVOID THE RISK OF DAMAGE OR INJURY:

- **Follow all recommendations and requirements as shown in the installation instructions.**
- Perform a thorough inspection of the glass and all parts for any damage prior to installation. Any damage to tempered glass can cause breakage. **Do Not install damaged glass!**
- Do Not install or operate a shower or tub door if the glass has chipped corners, slivered edges or is otherwise damaged. Do Not install or operate a shower or tub door that has been dropped or banged into a hard surface such as tile, marble or glass.
- **CAUTION:** Contact with any hard surface can damage tempered glass and cause it to shatter.
- This product uses tempered glass. Glass cannot be cut after it has been tempered. **Do Not attempt to cut tempered glass.**
- DreamLine® Glass Shower doors, Tub doors, Inline panels, and Return panels can shatter due to improper handling or lack of maintenance. Conduct periodic inspections of glass and all parts for possible damage, missing or loose parts.
- Always wear proper safety equipment such as: safety goggles, work gloves and appropriate footwear during the installation process.
- **WARNING. Risk of leakage and/or damage.** Follow all instructions regarding the application of silicone sealant or caulk. Allow 24 hours for the sealant to cure before the initial use of the shower or tub product. Follow the silicone manufacturer's recommendations regarding the use of their product.
- **Thoroughly read these instructions before installing or using this product.**
- **Leave this manual for the end-user of the product.**



This product should be installed by someone familiar with the construction requirements for this type of project and the care necessary for the safe installation and operation of the product.

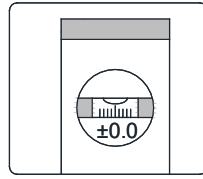


Professional Installation recommended.

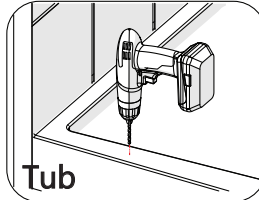
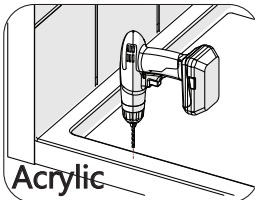
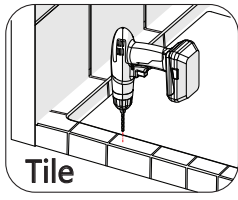
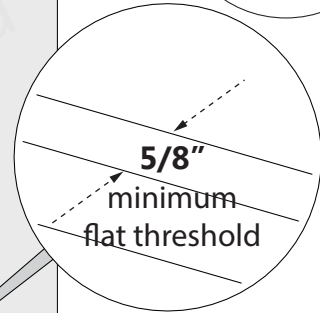
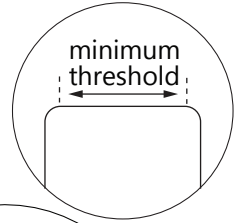
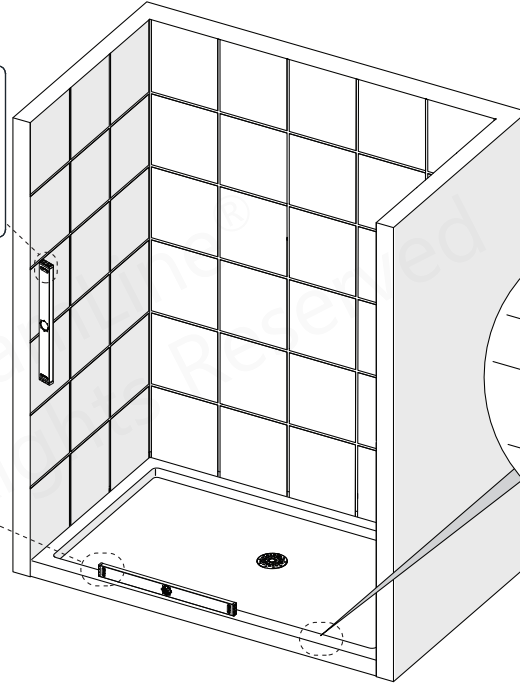
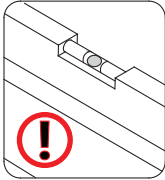
Model Specific Preparation

! REQUIRED:

1/2" Out-of-Plumb Adjustment with the Inline Panel; Verify threshold and walls with a level



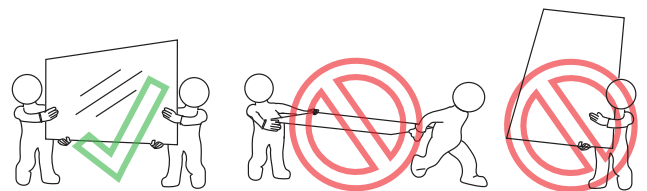
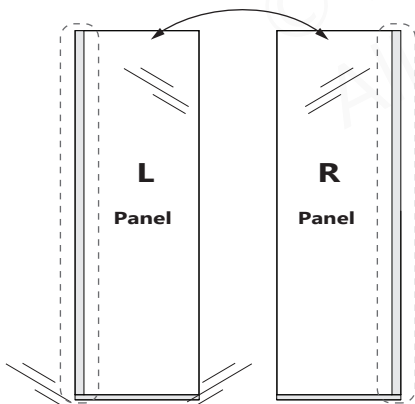
Threshold must be level



Contact the manufacturer of the base, tub or threshold material with any questions regarding the drilling of holes into their product.



This Inline Panel is reversible for right or left inline panel installation. The right-hand inline panel installation is shown as an example throughout this manual. For the left-hand inline panel installation, simply begin on the opposite wall and reverse the orientation of the installation steps shown.

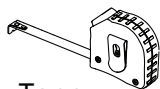


This door recommends professional installation. Two installers recommended.

Tools



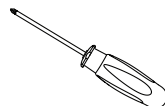
Level



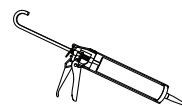
Tape Measure



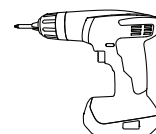
Pencil



#2 Phillips Screwdriver



100 % Silicone



Power Drill



Drill Bit
Ø1/8"
(3mm)



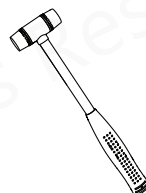
Drill Bit
Ø3/16"
(4mm)



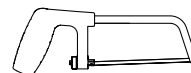
Drill Bit
Ø5/16"
(8mm)



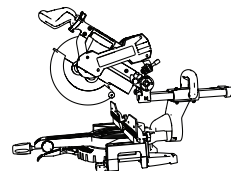
#2 Phillips Driver Bit



Soft Head Hammer



Hacksaw



OR
Mitre Saw



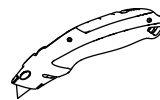
Metal File



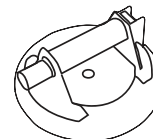
Safety Glasses



Work Gloves



Razor Knife



Professional-grade
Glass Suction Cup
(optional but recommended)



Measure the finished opening before proceeding with the installation to be sure that the correct model size has been ordered.

Use a good quality waterproof, mildew-resistant 100% silicone.

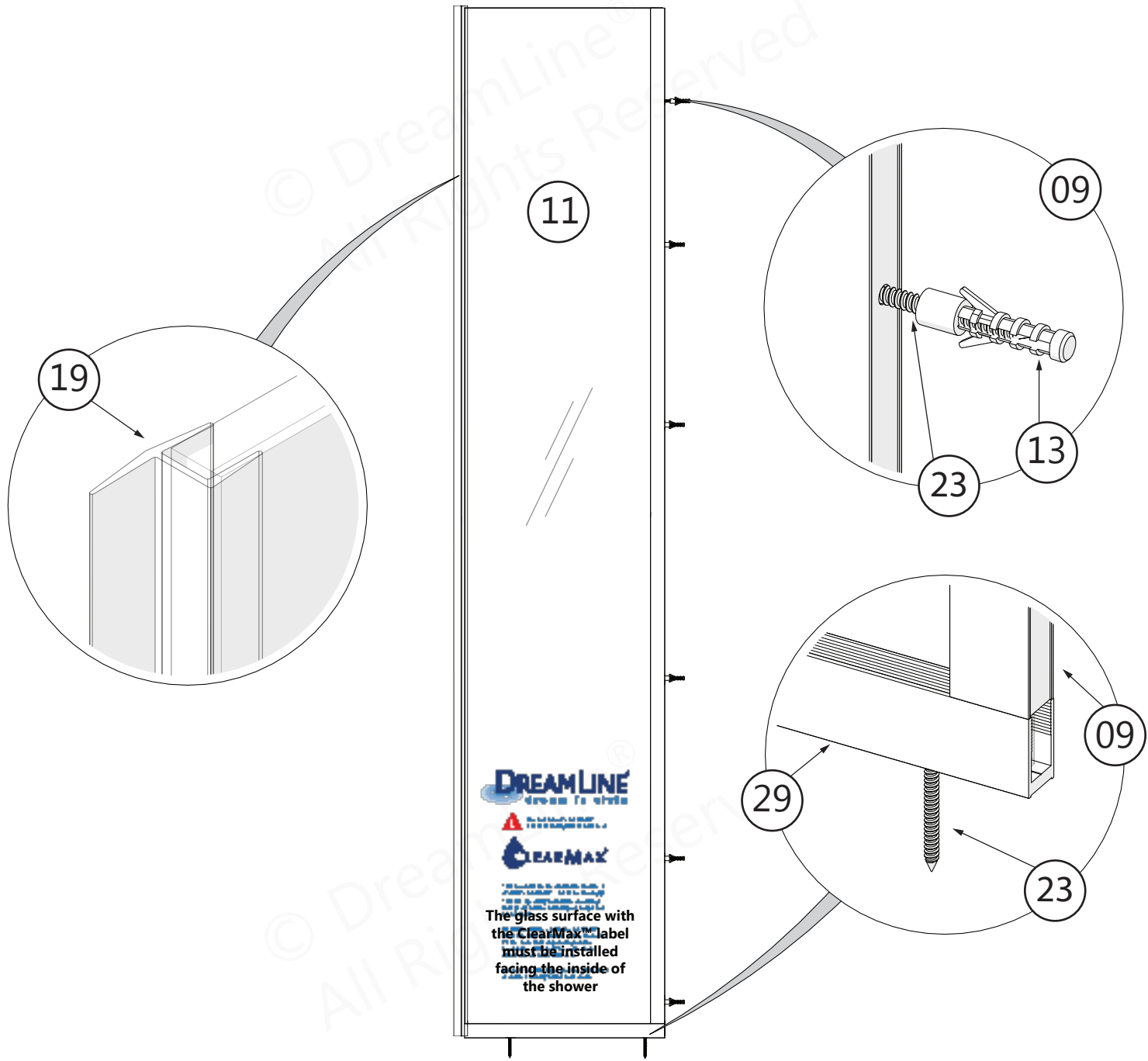
Cover the shower drain with tape prior to installation to prevent the loss of screws or small parts.

To prevent stripping the screw heads, set power drill to a low setting when installing screws.



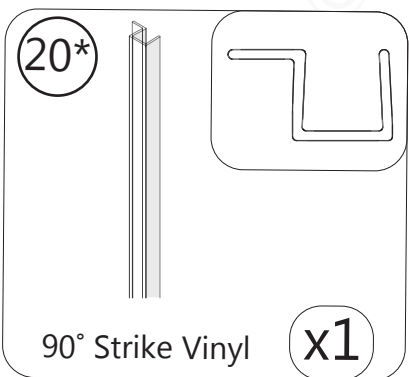
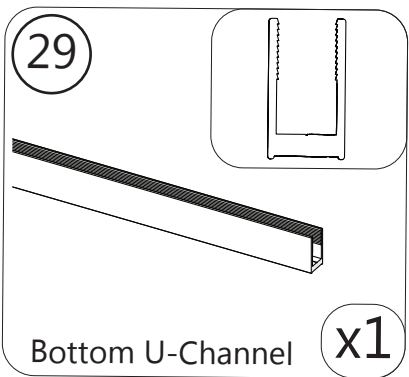
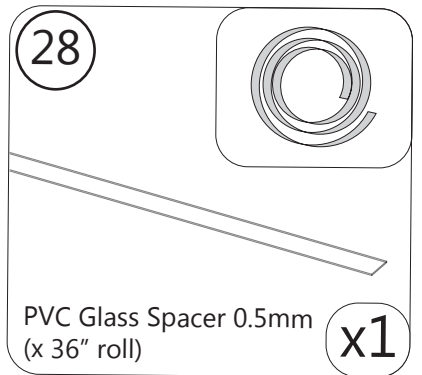
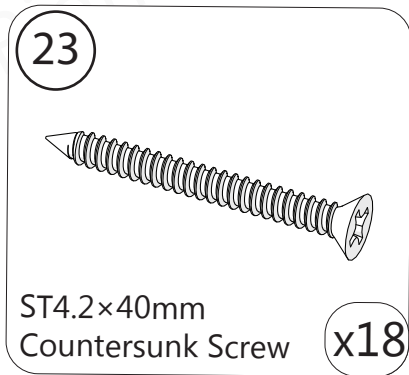
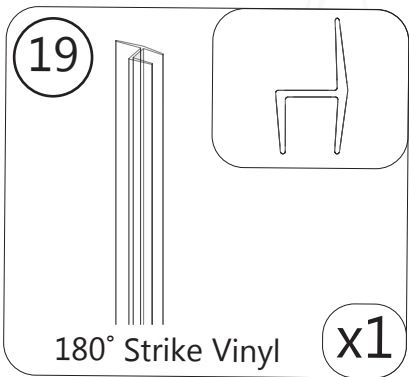
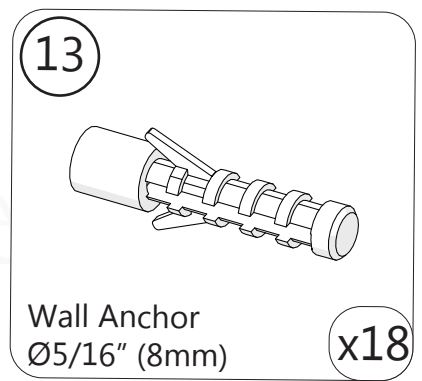
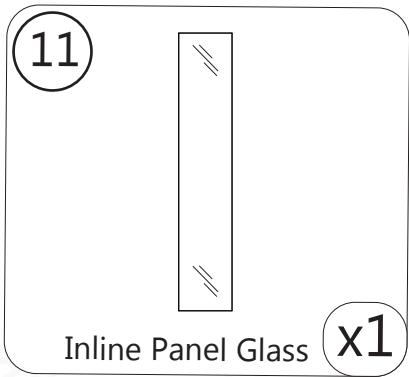
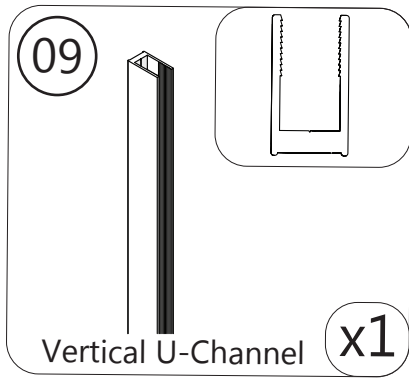
Unpack your unit carefully and inspect it. Lay it out and identify all parts using the **Detailed Diagram** on page 5; and parts list in this manual as a reference. Before discarding the carton, check for small hardware bags that may have fallen to the bottom of the box. If any parts are damaged or missing, please contact DreamLine® for replacement. The shipping boxes may contain extra parts not used in your model configuration. Retain these installation instructions for future reference.

Detailed Diagram of Inline Panel Glass Components



right-hand panel installation shown

Parts List



*90° Strike Vinyl is packaged with 30" or larger Panel Glass and is only used with specific enclosure models; The 90° Strike Vinyl is not used for this inline panel installation.

Model#s:

SDAD325720VXX01	SDAD40W720VXX01	SDAD48W720VXX01	SDAD56W720VXX01
SDAD325720VXX04	SDAD40W720VXX04	SDAD48W720VXX04	SDAD56W720VXX04
SDAD325720VXX06	SDAD40W720VXX06	SDAD48W720VXX06	SDAD56W720VXX06
SDAD325720VXX09	SDAD40W720VXX09	SDAD48W720VXX09	SDAD56W720VXX09
SDAD32W720VXX01	SDAD40W721VXX01	SDAD48W721VXX01	SDAD56W721VXX01
SDAD32W720VXX04	SDAD40W721VXX04	SDAD48W721VXX04	SDAD56W721VXX04
SDAD32W720VXX06	SDAD40W721VXX06	SDAD48W721VXX06	SDAD56W721VXX06
SDAD32W720VXX09	SDAD40W721VXX09	SDAD48W721VXX09	SDAD56W721VXX09
SDAD345720VXX01	SDAD425720VXX01	SDAD505720VXX01	SDAD585720VXX01
SDAD345720VXX04	SDAD425720VXX04	SDAD505720VXX04	SDAD585720VXX04
SDAD345720VXX06	SDAD425720VXX06	SDAD505720VXX06	SDAD585720VXX06
SDAD345720VXX09	SDAD425720VXX09	SDAD505720VXX09	SDAD585720VXX09
SDAD34W720VXX01	SDAD42W720VXX01	SDAD50W720VXX01	SDAD58W720VXX01
SDAD34W720VXX04	SDAD42W720VXX04	SDAD50W720VXX04	SDAD58W720VXX04
SDAD34W720VXX06	SDAD42W720VXX06	SDAD50W720VXX06	SDAD58W720VXX06
SDAD34W720VXX09	SDAD42W720VXX09	SDAD50W720VXX09	SDAD58W720VXX09
SDAD365720VXX01	SDAD445720VXX01	SDAD525720VXX01	SDAD605720VXX01
SDAD365720VXX04	SDAD445720VXX04	SDAD525720VXX04	SDAD605720VXX04
SDAD365720VXX06	SDAD445720VXX06	SDAD525720VXX06	SDAD605720VXX06
SDAD365720VXX09	SDAD445720VXX09	SDAD525720VXX09	SDAD605720VXX09
SDAD36W720VXX01	SDAD44W720VXX01	SDAD52W720VXX01	SDAD60W720VXX01
SDAD36W720VXX04	SDAD44W720VXX04	SDAD52W720VXX04	SDAD60W720VXX04
SDAD36W720VXX06	SDAD44W720VXX06	SDAD52W720VXX06	SDAD60W720VXX06
SDAD36W720VXX09	SDAD44W720VXX09	SDAD52W720VXX09	SDAD60W720VXX09
SDAD385720VXX01	SDAD465720VXX01	SDAD545720VXX01	SDAD625720VXX01
SDAD385720VXX04	SDAD465720VXX04	SDAD545720VXX04	SDAD625720VXX04
SDAD385720VXX06	SDAD465720VXX06	SDAD545720VXX06	SDAD625720VXX06
SDAD385720VXX09	SDAD465720VXX09	SDAD545720VXX09	SDAD625720VXX09
SDAD38W720VXX01	SDAD46W720VXX01	SDAD54W720VXX01	SDAD62W720VXX01
SDAD38W720VXX04	SDAD46W720VXX04	SDAD54W720VXX04	SDAD62W720VXX04
SDAD38W720VXX06	SDAD46W720VXX06	SDAD54W720VXX06	SDAD62W720VXX06
SDAD38W720VXX09	SDAD46W720VXX09	SDAD54W720VXX09	SDAD62W720VXX09
SDAD405720VXX01	SDAD485720VXX01	SDAD565720VXX01	SDAD645720VXX01
SDAD405720VXX04	SDAD485720VXX04	SDAD565720VXX04	SDAD645720VXX04
SDAD405720VXX06	SDAD485720VXX06	SDAD565720VXX06	SDAD645720VXX06
SDAD405720VXX09	SDAD485720VXX09	SDAD565720VXX09	SDAD645720VXX09
SDAD405721VXX01	SDAD485721VXX01	SDAD565721VXX01	SDAD64W720VXX01
SDAD405721VXX04	SDAD485721VXX04	SDAD565721VXX04	SDAD64W720VXX04
SDAD405721VXX06	SDAD485721VXX06	SDAD565721VXX06	SDAD64W720VXX06
SDAD405721VXX09	SDAD485721VXX09	SDAD565721VXX09	SDAD64W720VXX09

Finishes: -01 Chrome, -04 Brushed Nickel, -06 Oil Rubbed Bronze, -09 Matte Black

6



Fig 6a

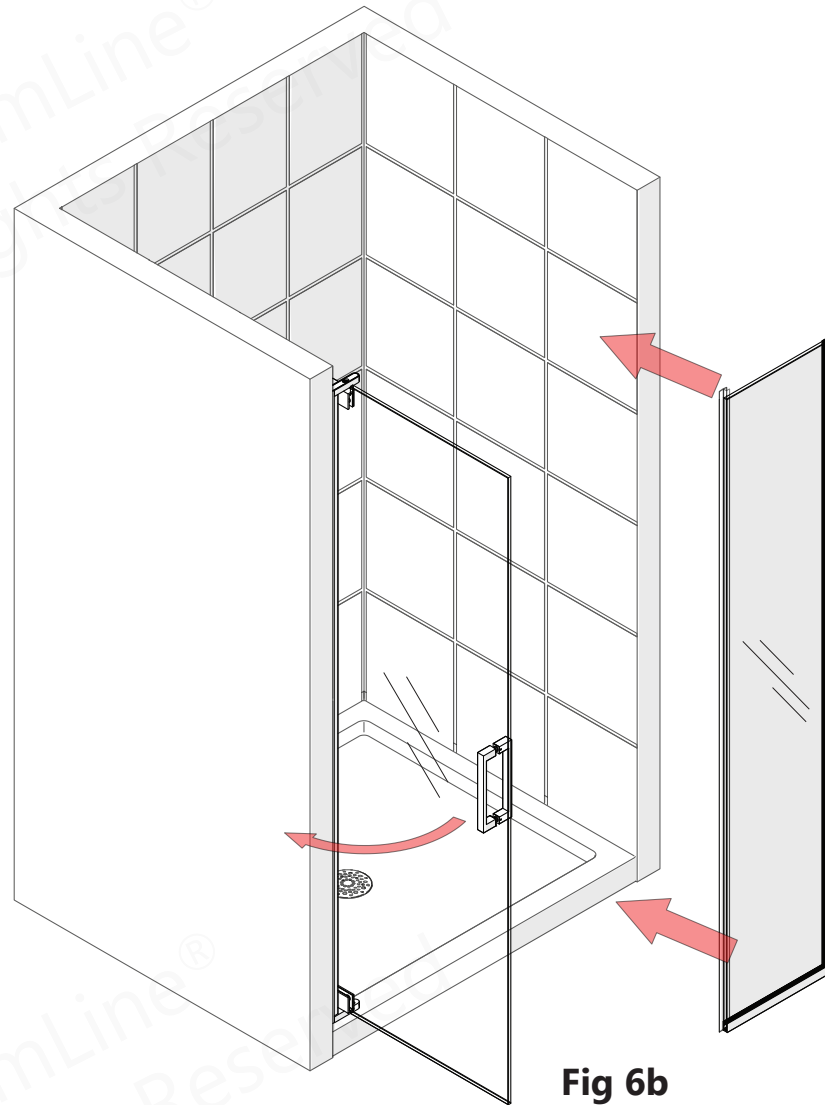
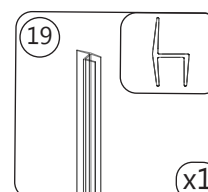
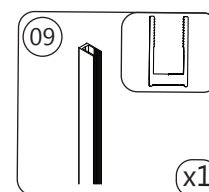
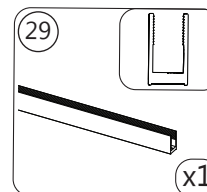
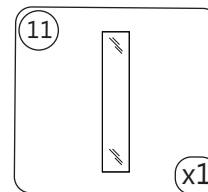


Fig 6b

NOTE

The **180° Strike Vinyl (#19)** will extend above the panel glass for now, but will be notched to fit around the bottom u-channel. See step#14.



Parts Needed

7

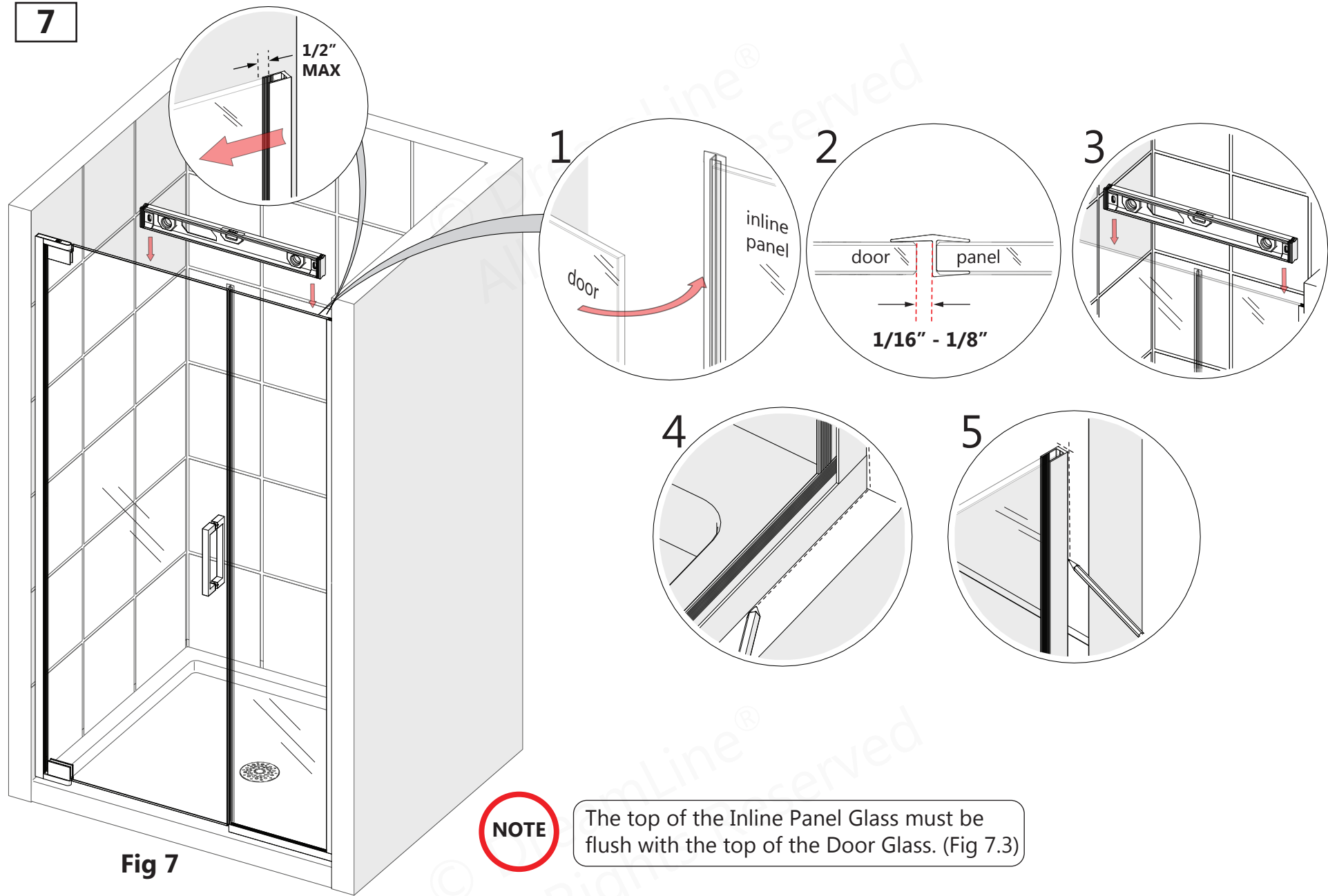


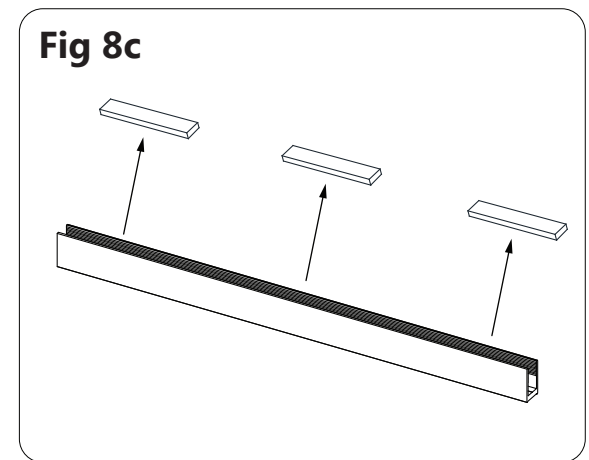
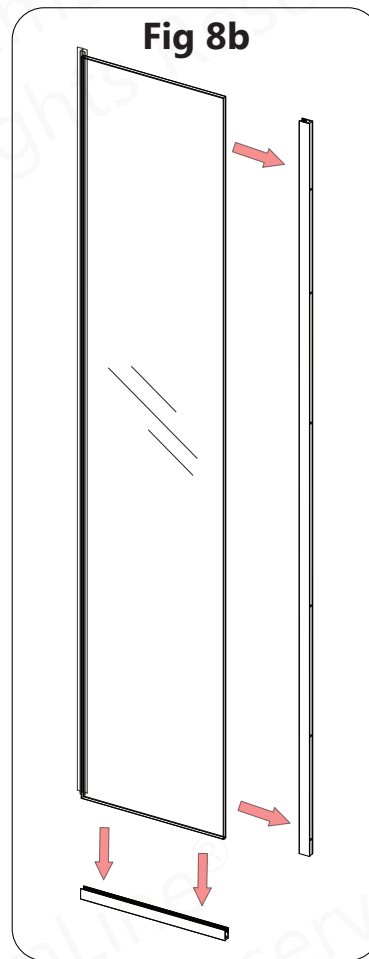
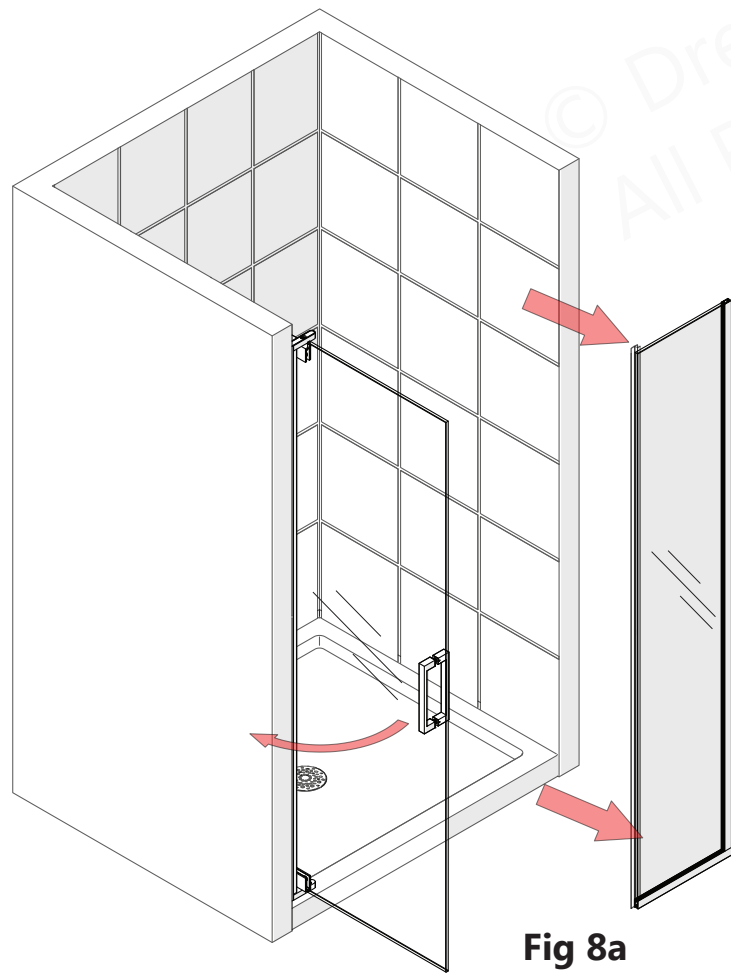
Fig 7

NOTE The top of the Inline Panel Glass must be flush with the top of the Door Glass. (Fig 7.3)

NOTE The **Vertical U-Channel (#09)** will allow for up to 1/2" of out-of-plumb adjustment. Confirm that the **Inline Panel Glass (#11)** is aligned properly with the installed door before marking the positions of the u-channels.

Tools Needed

8



Remove the PVC Glass Spacers 0.5mm (#28) from the Bottom U-Channel (#29). (Fig 8c) These must be reinstalled in step #12.

9

NOTE

The surfaces need to be clean and free of debris before applying silicone.

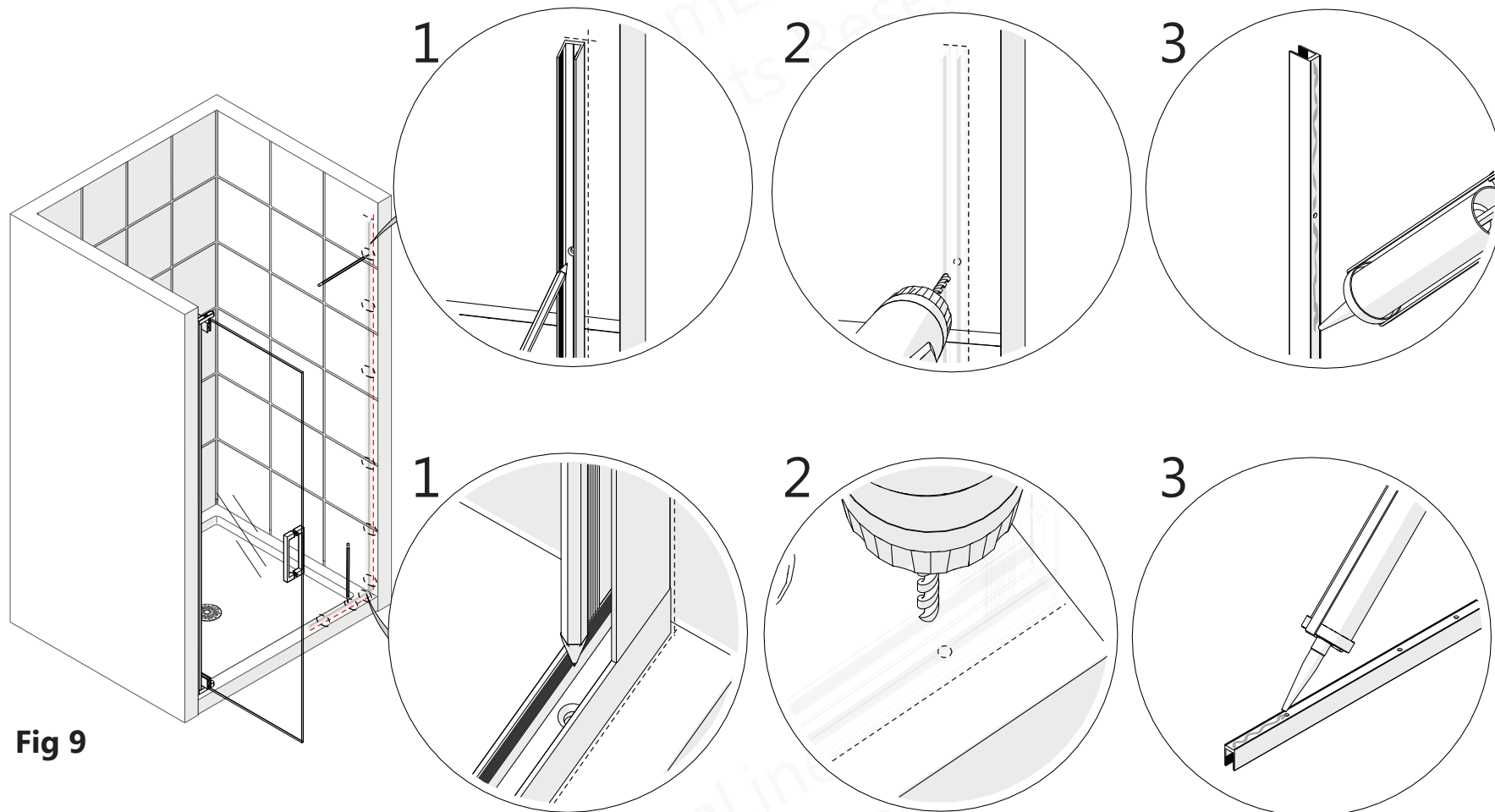


Fig 9

NOTE

▪ For installation into an **Acrylic Threshold**:
drill an $\text{Ø}1/8''$ (3mm) hole and use the
ST4.2 x 40mm Countersunk Screw (#23)

OR

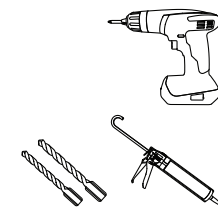
▪ For installation into a **Tile Threshold**:
drill a $\text{Ø}3/16''$ (4.76mm) hole up to the stud,
drill an $\text{Ø}1/8''$ (3mm) pilot hole into the stud
and use the **ST4.2 x 40mm Countersunk Screw (#23)**

▪ **If a stud is present behind the wall**:
drill a $\text{Ø}3/16''$ (4.76mm) hole up to the stud,
drill an $\text{Ø}1/8''$ (3mm) pilot hole into the stud and use the
ST4.2 x 40mm Countersunk Screws (#23)

OR

▪ **If no stud is present behind the wall**:
drill a $\text{Ø}5/16''$ (8mm) hole and insert the **Wall Anchors (#13)**
and use the **ST4.2 x 40mm Countersunk Screws (#23)**.

Tools Needed



10

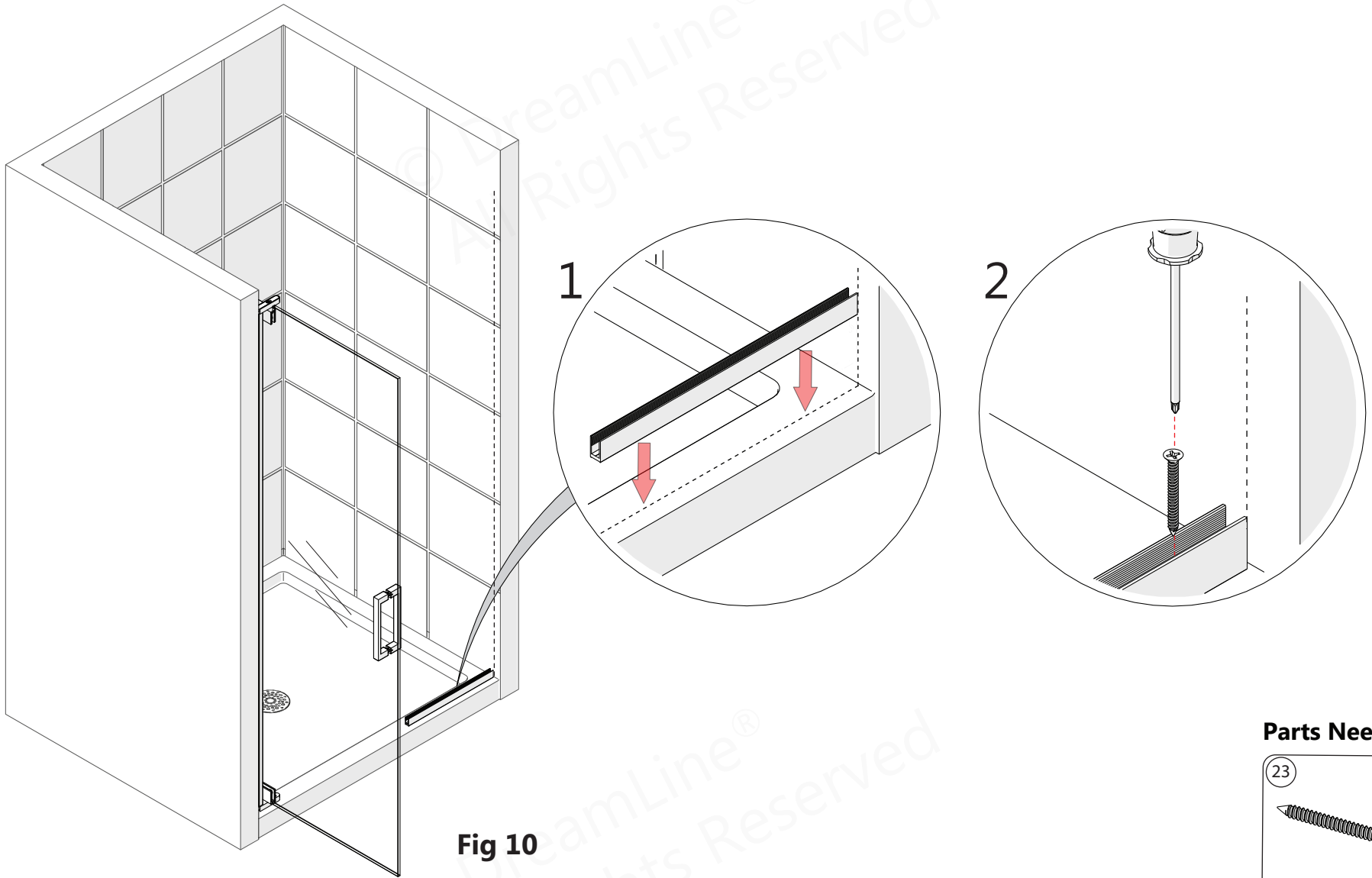
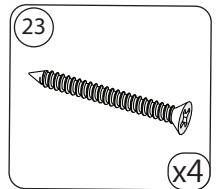
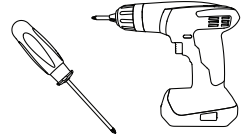


Fig 10

Parts Needed



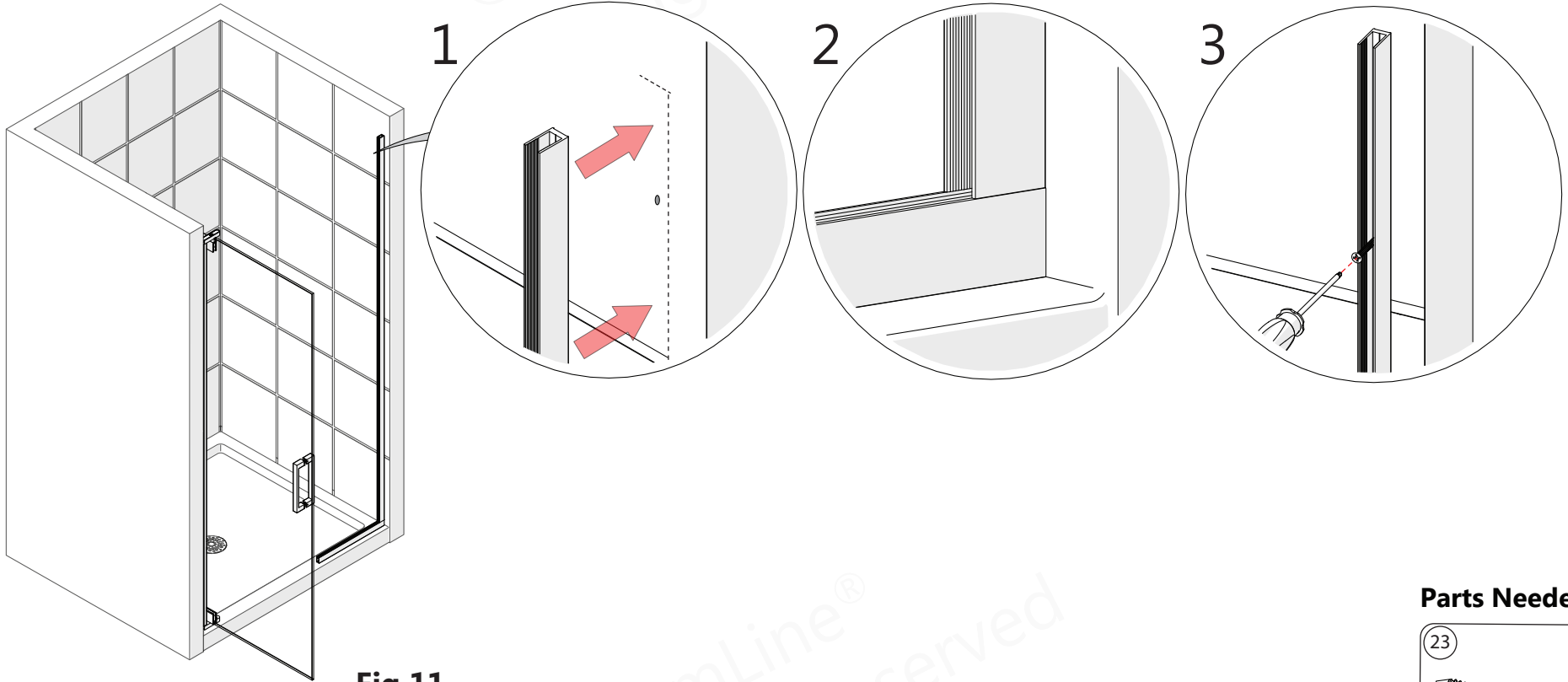
Tools Needed



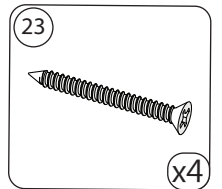
To prevent damage to the glass, be sure that the screws are fully countersunk and that the screw heads do not stick up above the surface of the u-channel



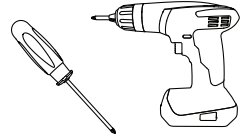
11



Parts Needed



Tools Needed



12

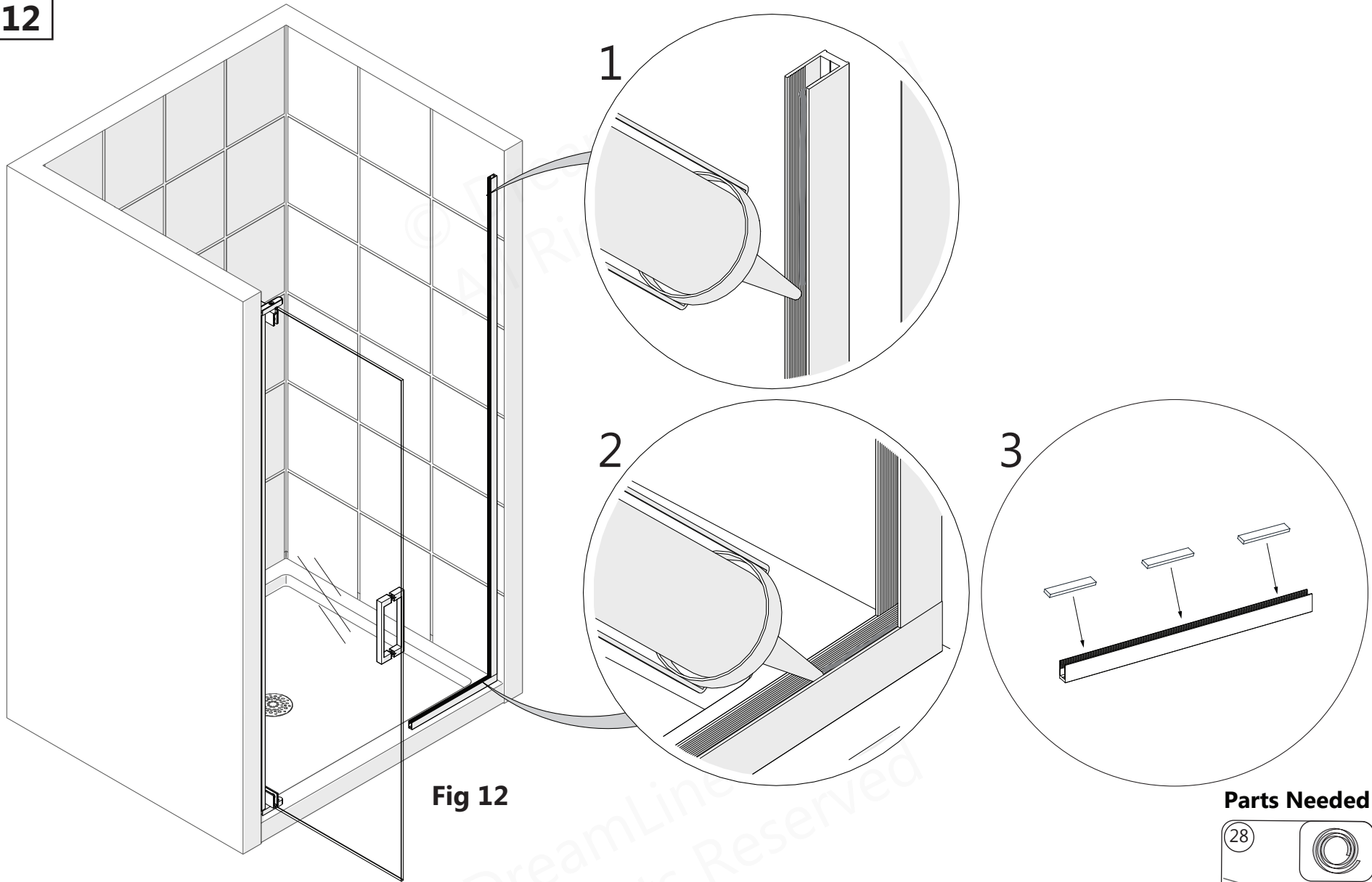
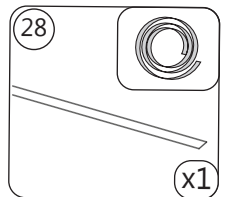


Fig 12

NOTE

After applying silicone into the bottom U-Channel install several 2" - 3" pieces of the PVC Glass Spacer 0.5mm (#28) into the Bottom U-Channel (#29) to protect the bottom edge of the glass. (Fig 12.3)

Parts Needed



Tools Needed



13

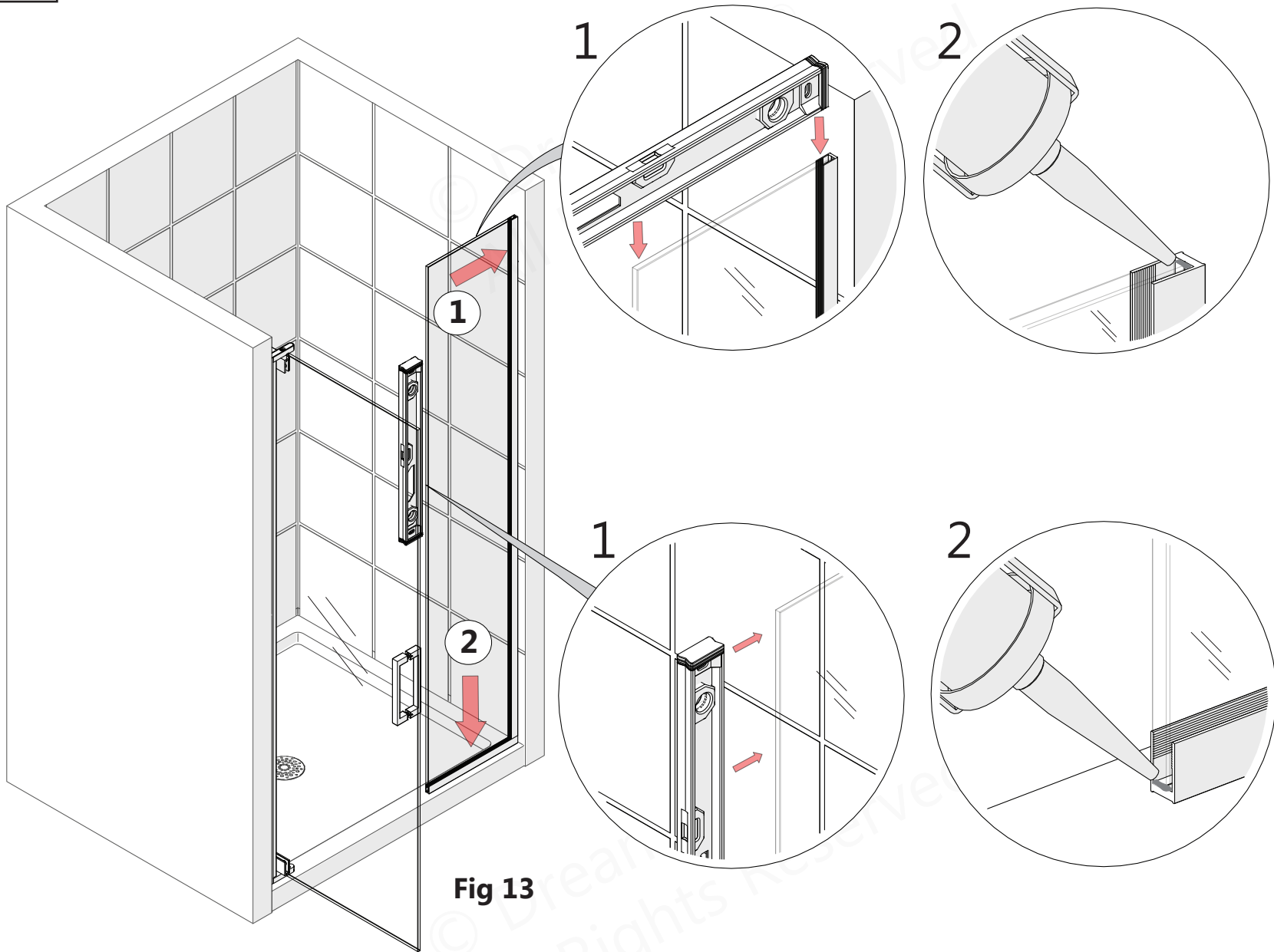


Fig 13

Tools Needed

The 'Tools Needed' section contains two line drawings. The first is a spirit level, shown horizontally with a bubble level in the center. The second is a pry bar, shown vertically with its curved end at the top and a handle at the bottom.

14

180° Strike Vinyl Installation

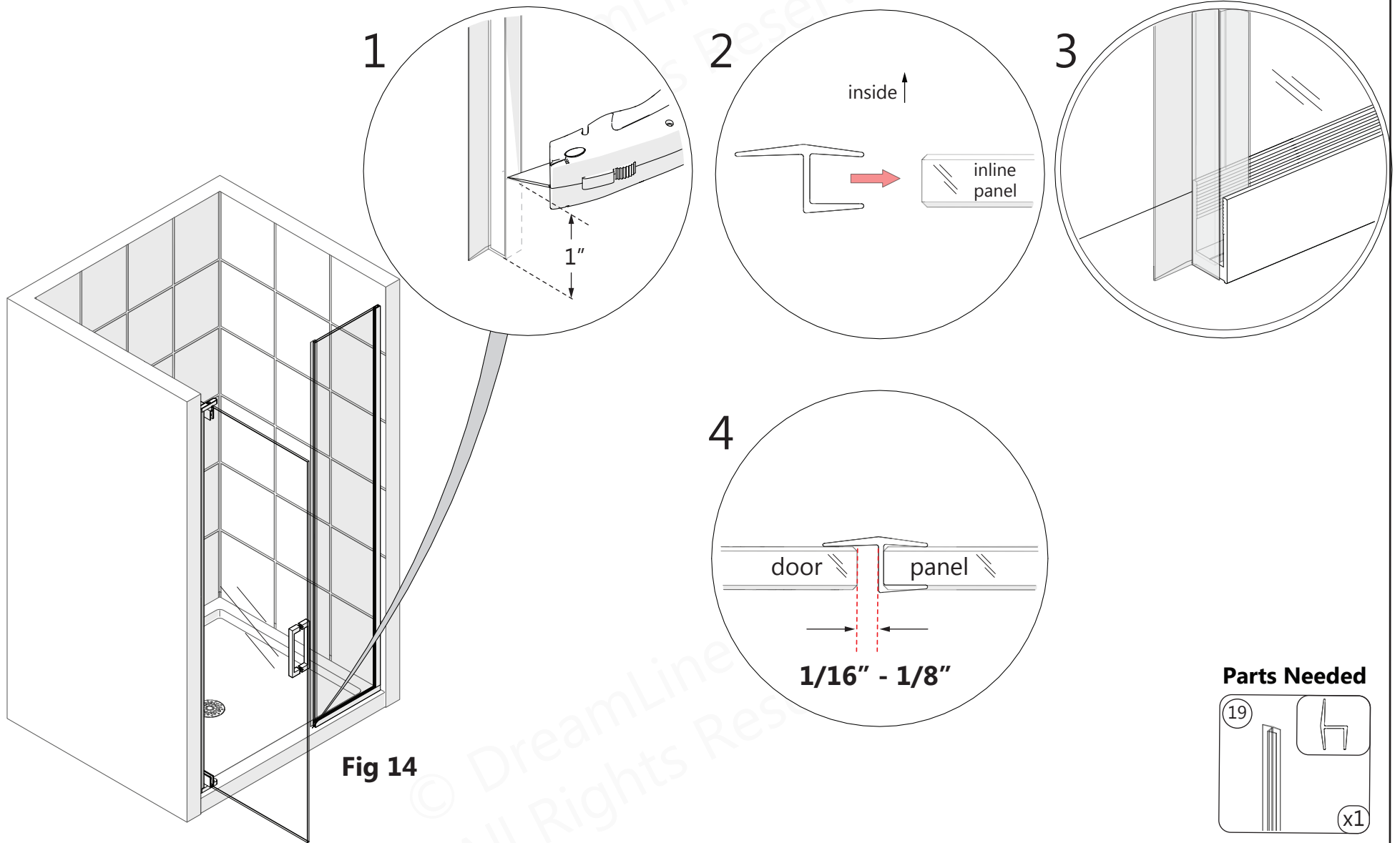
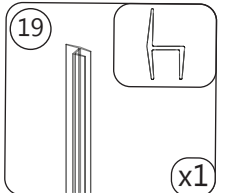


Fig 14

Parts Needed



Tools Needed



15



The surfaces need to be clean and free of debris before applying silicone.

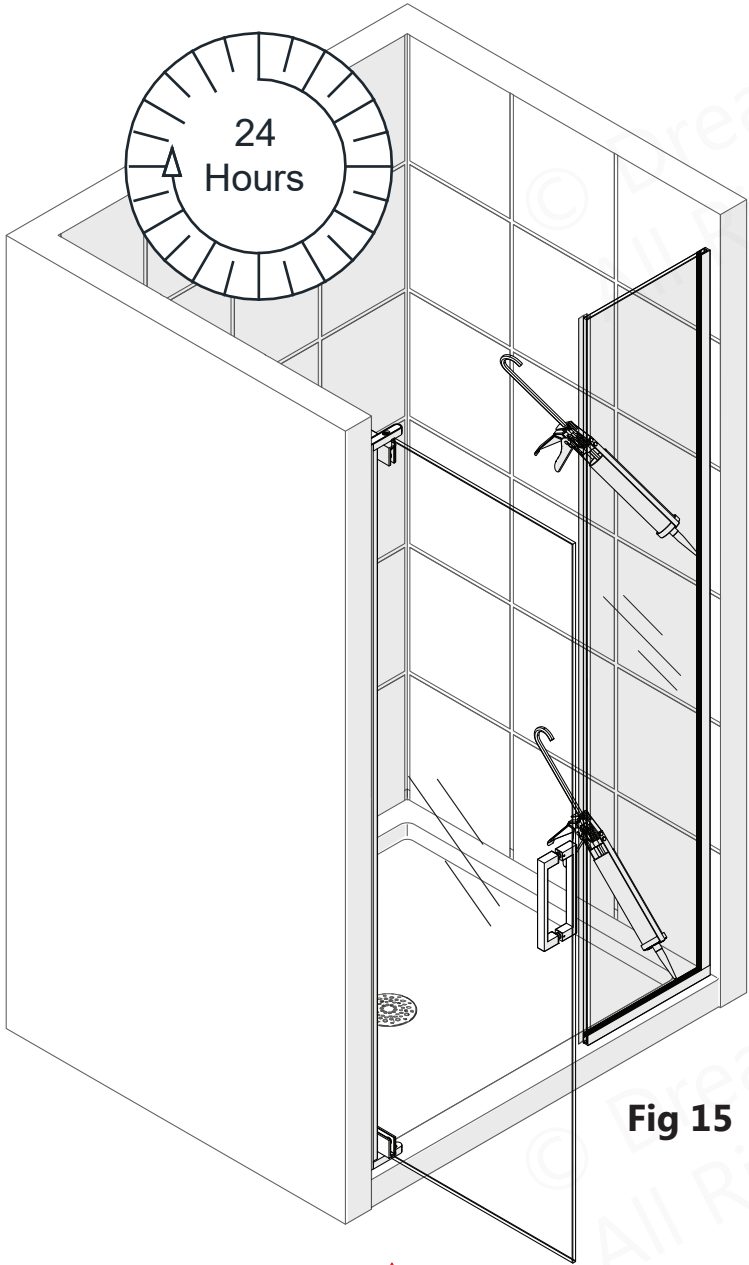
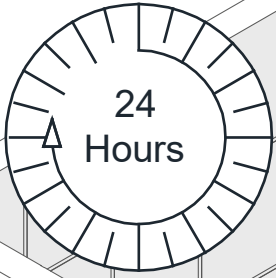
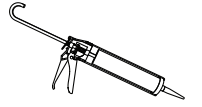


Fig 15



Allow 24 hours for the silicone to cure before using shower

Tools Needed



Product Maintenance

BASES and BACKWALLS: To ensure long lasting life for your acrylic back walls: wipe them off after each use with a soft cloth. To clean the acrylic back walls use non-abrasive sprays or cream based cleaners. Avoid the use of aerosol spray cleaners. Never use abrasive cleansers, metal brushes or scrapers that could permanently scratch or dull the surface.

GLASS: To ensure long lasting life for your glass shower products: wipe them off after each use with a soft cloth. Rinse and wipe off the glass using either a soft cloth or a squeegee to prevent soap buildup and water spots (Hard water can etch the surface of the glass over time if left to dry). To prevent scratching the surface: never use abrasive cleaners or cleaning products that contain scouring agents. Never use bristle brushes or abrasive sponges that may scratch the surface of the glass.

HARDWARE: To ensure a long lasting finish: wipe off all metal parts after each use with a soft cloth. Do not use abrasive cleaners or cleaning products containing ammonia, bleach or acid. If accidentally used, rinse the surface as soon as possible to prevent damage to the finish (peeling or corrosion). After cleaning the polished finishes, rinse thoroughly and wipe dry with a soft clean-cloth.

Clean stainless steel surfaces at least once a week. When applying stainless steel cleaner or polish to stainless steel hardware, work with the grain (not across the grain). Never use an abrasive sponge or cloth, steel wool or wired brush as these may permanently scratch the surfaces.



To maximize the life of your door, it is important to regularly inspect the glass and other hardware for misalignment, proper attachment, and/or damage. Contact DreamLine® with any questions or concerns.

INLINE PANEL Maintenance Checklist

- Inspect the U-Channels. Make sure both Bottom and Vertical U-Channels are tightly secured.
- Inspect that the Door Glass and Inline Panel glass are properly aligned when the door is in the closed position.
- Inspect and replace damaged or missing Vinyl Seals. Order replacement as necessary to prevent leakage.
- Inspect silicone application. Remove and replace as necessary to prevent leakage. (refer to the silicone manufacturer's recommendations on the proper application of their product).
- Remove Vinyl Seals to inspect the edges of the glass for concealed damage.
Damaged glass must be replaced!

Troubleshooting

Problem/Symptom	Suggested Solution	Page(s)
Missing Parts	<ul style="list-style-type: none"> • Check all shipping/packaging material for missing parts/components. • If not found, contact DreamLine Customer Support [1-866-731-2244] to order factory part replacement. 	—
Door Glass does not close flush with the 180° Strike Vinyl (#19) and Inline Panel Glass (#11)	<ul style="list-style-type: none"> • Inspect the 180° Degree Strike Vinyl (#19) and ensure the orientation of the vinyl is correct. • Check that the 180° Degree Strike Vinyl (#19) is installed correctly so the Door Glass closes flush with the vinyl. • Check that the reveal between the door and the strike vinyl is consistent/even. Use a level and adjust the assembly. Removal and re-installation may be necessary. 	13;21
Top of Inline Panel Glass (#11) is not flush with the top of the Door Glass	<ul style="list-style-type: none"> • Measure that the height of the Door and Inline Panel Glass is at 72 inches. • Refer to the Door Manual for proper installation of the door. 	—
Leakage: beneath the Bottom U-Channel (#29) and Inline Panel (#11)	<ul style="list-style-type: none"> • Confirm that all screws are tightly secured to the threshold • Inspect the silicone and ensure that a complete application of silicone has been applied. Allow 24 hours for the silicone to cure before using the shower. 	—
		23-26



Prior to contacting DreamLine® Customer Service, please have the following information readily available:

- Purchase Order Information
 - Name, PO Number, Dealer/Vendor Name, etc.
- SKU/Model Number (see Page 31)
- Factory Part Information (see Page 31)

Factory Parts Information

INLINE PANEL [STYLE F] - HARDWARE		FACTORY PARTS INFORMATION	
ITEM #	FACTORY PART NUMBER	ITEM DESCRIPTION	QTY
09	041540 11 -1930 / 041540 41 -1930 / 041540 61 -1930 / 041540 91 -1930	U-Channel 1" Aluminum for 10mm (3/8in.) Glass	1 pc
13	07552148	Wall Anchor 8mm (5/16in)	18 pcs
19	063010100-1829	180 Degree Strike Vinyl for 10mm (3/8in.) Glass	1 pc
23	092108	ST4.2×40mm Countersunk Screw	18 pcs
28	07550083	PVC Glass Spacer 0.5mm	1 pc
29	041540 11 -1118 / 041540 41 -1118 / 041540 61 -1118 / 041540 91 -1118	U-Channel 1" Aluminum for 10mm (3/8in) Glass	1 pc

BOLD digit indicates finish: **1** = Chrome; **4** = Brushed Nickel;
6 = Oil Rubbed Bronze: **9**= Satin Black

INLINE PANEL [STYLE F] - GLASS		FACTORY PARTS INFORMATION	
ITEM #	FACTORY PART NUMBER	ITEM DESCRIPTION (Installed Inline Panel Glass Size)	QTY
11	010137095	6-in Inline Panel Glass	1 pc
11	010137117	6-1/2-in Inline Panel Glass	1 pc
11	010137099	14-in Inline Panel Glass	1 pc
11	010137119	14-1/2-in Inline Panel Glass	1 pc
11	010137103	22-in Inline Panel Glass	1 pc
11	010137121	22-1/2-in Inline Panel Glass	1 pc
11	010137109	30-in Inline	1 pc
11	010137123	30-1/2-in Inline	1 pc
11	010137111	34-in Inline	1 pc

Contact Support@DreamLine.com for Part replacement, installation assistance or additional information.
 Complete **Warranty** information is available on DreamLine.com.

© DreamLine®
All Rights Reserved



© DreamLine®
All Rights Reserved

TEL: 866-731-2244
FAX: 866-857-3638
DREAMLINE.COM



For more information on DreamLine® Shower Doors and Enclosures please visit **DreamLine.com**