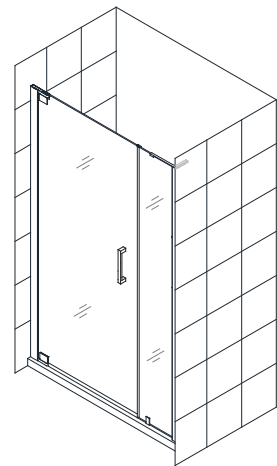
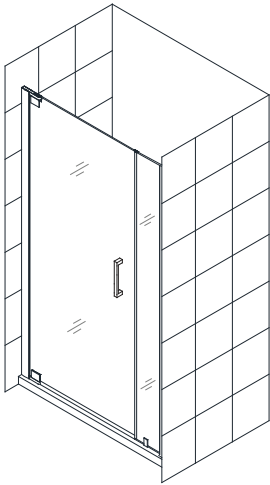


Elegance-LS / Atlas Shower Door Style B

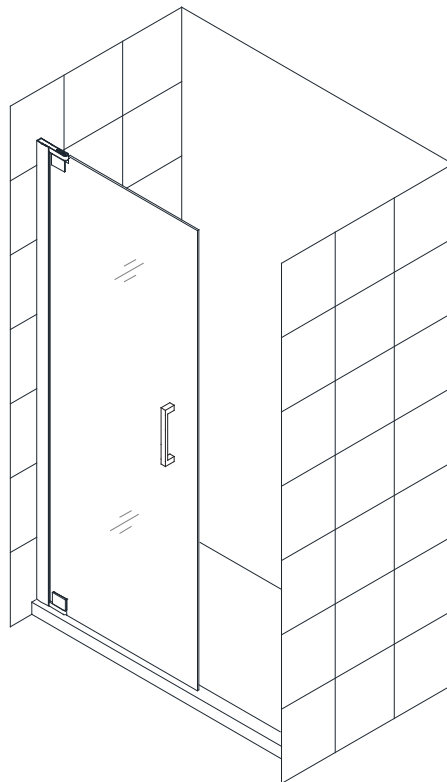
SHOWER DOOR AND INLINE PANEL INSTALLATION INSTRUCTIONS

IMPORTANT

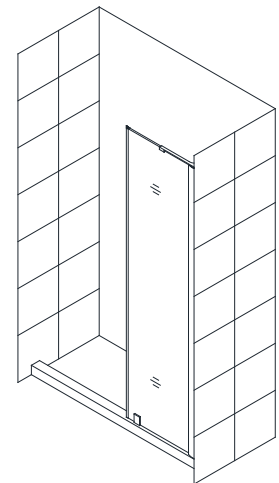
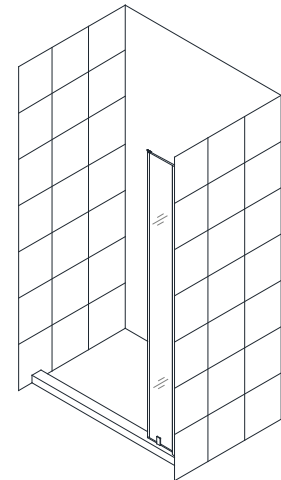
DreamLine® reserves the right to alter, modify or redesign products at any time without prior notice. For the latest up-to-date technical drawings, manuals, warranty information or additional details please refer to your model's web page on DreamLine.com



STYLE B



STEP 1: Install Shower Door



STEP 2: Install Shower Panel



Questions?

Please Call **DreamLine** Customer Support: **1-855-831-2126**
Hours of Operation M-F 8AM - 7PM EST and Saturday 9AM - 5PM EST

Support@DreamLine.com



For more information about DreamLine® Shower Doors, Tub Doors & Enclosures, please visit DreamLine.com

ELEGANCE / ELEGANCE-LS / ATLAS SINGLE DOOR

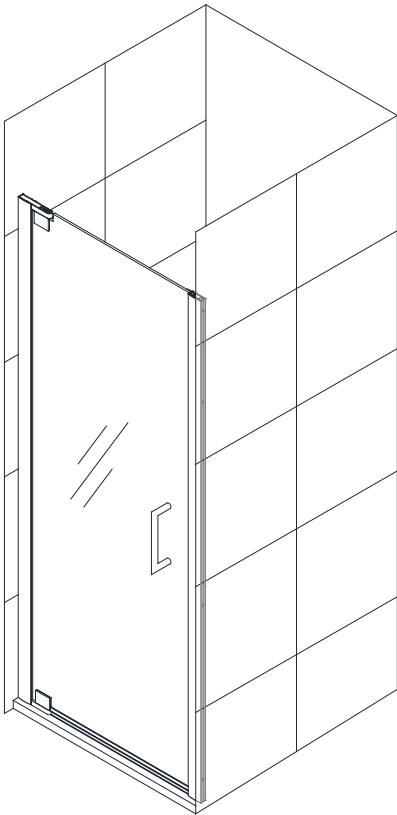
SINGLE SHOWER DOOR INSTALLATION INSTRUCTIONS

IMPORTANT

DreamLine® reserves the right to alter, modify or redesign products at any time without prior notice. For the latest up-to-date technical drawings, manuals, warranty information or additional details please refer to your model's web page on **DreamLine.com**

Elegance

single sided handle

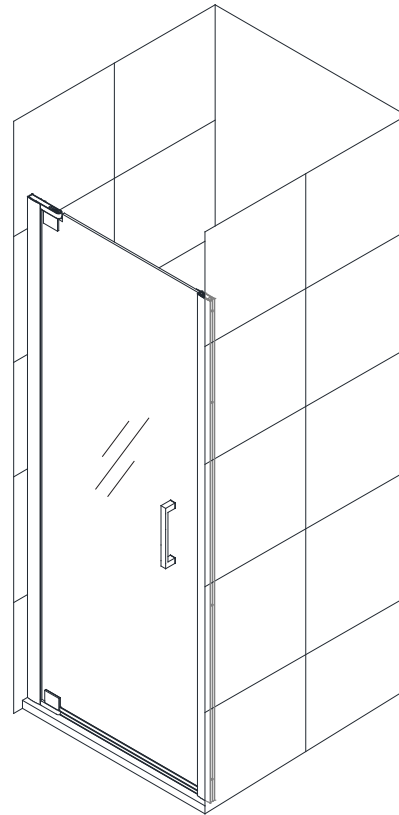


Model#s

SHDR-4125720-##
 SHDR-4127720-##
 SHDR-4128720-##
 SHDR-4130720-##
 SHDR-4132720-##
 SHDR-4134720-##
 SHDR-4135720-##

Elegance-LS / Atlas

square back-to-back handle



Model#s

SHDR-4325000-##
 SHDR-4327000-##
 SHDR-4328000-##
 SHDR-4330000-##
 SHDR-4332000-##
 SHDR-4334000-##
 SHDR-4335000-##

##=finish code
 01- Chrome
 04- Brushed Nickel
 06- Oil Rubbed Bronze
 09- Satin Black

Left-Swing installation shown

Please review this entire manual prior to installation.



Questions?

Please Call **DreamLine Customer Support: 1-855-831-2126**
 Hours of Operation M-F 8AM - 7PM EST and Saturday 9AM - 5PM EST

Support@DreamLine.com



For more information about DreamLine® Shower Doors, Tub Doors & Enclosures, please visit **DreamLine.com**



This model is treated with DreamLine's exclusive ClearMax™ Glass technology. This is a specially formulated coating that prevents the buildup of soap and water spots.

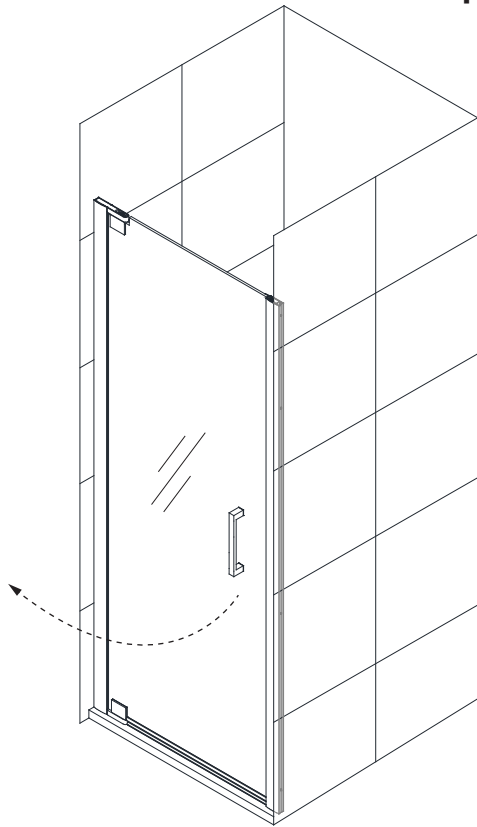
Install the surface with the ClearMax™ label towards the inside of the shower. Please note that depending on the model, the glass may be coated on either one or both surfaces.

For best results, squeegee the glass after each use and dry with a soft cloth.

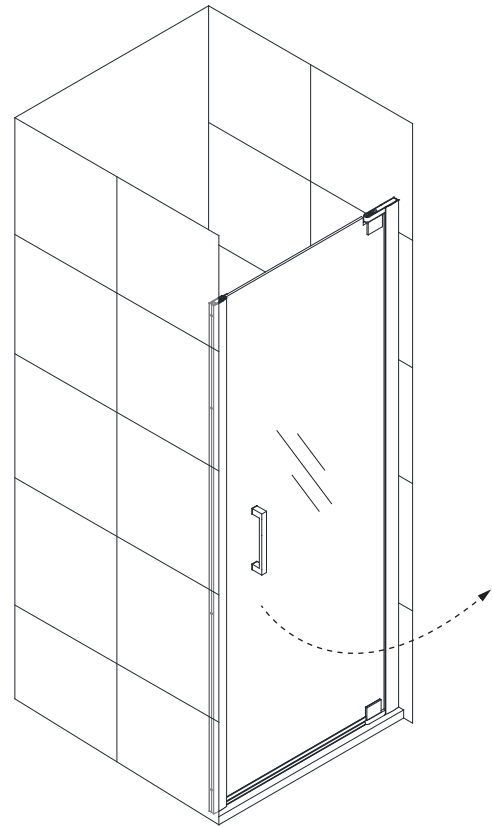
Table of Contents

Section title	Page #
Configurations	2
Preparation	3
Tools	4
Parts List	5-6
Adjustable Wall Profile System	7
Installation Steps	8-18
Pivot Assembly	9-10
Vinyl Seals	13
Product maintenance	19

Example: Elegance-LS / Atlas



Left-Swing door installation



Right-Swing door installation

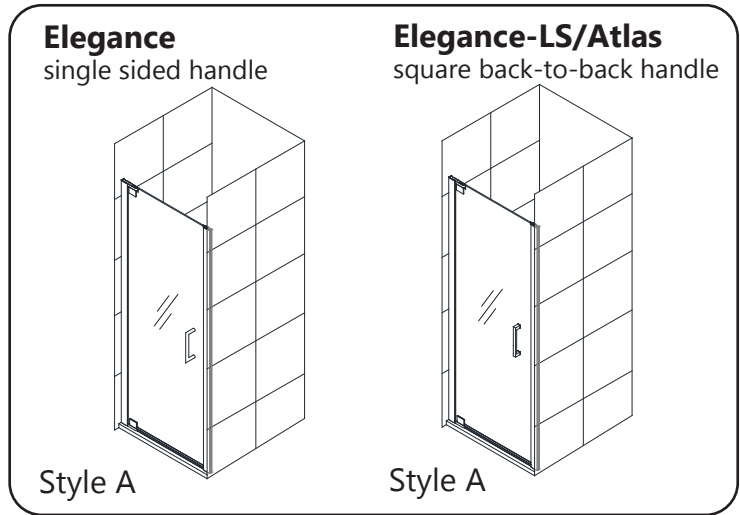


NOTE: This door is reversible for right or left-swing door installation. The left-swing door installation is shown as an example throughout this manual. For the right-swing door installation, simply begin on the opposite wall and reverse the orientation of the steps shown.

Configurations

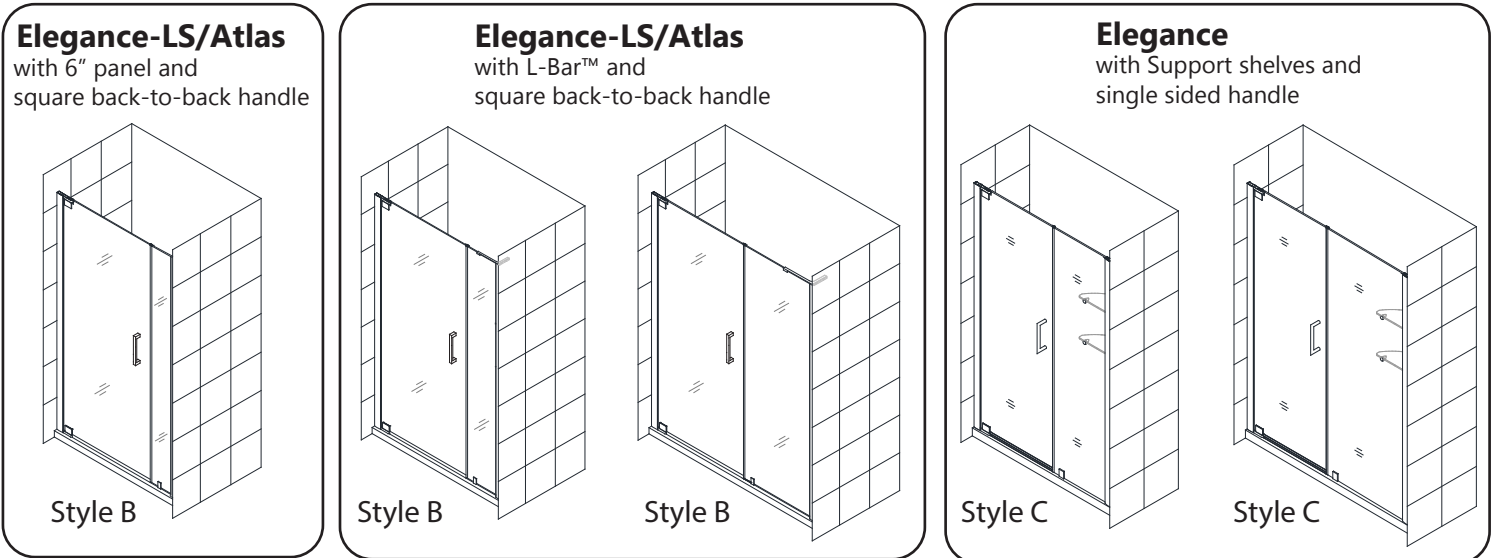
This manual will describe the single door installation of the **Elegance** or **Elegance-LS/Atlas** models.

For models with additional panel glass, **use this manual first to install the door** and then use the manual that is packaged with the panel glass to install the panel.



Additional Configurations with panel glass

For the installation of additional panel glass, use the panel glass installation manual packaged with the panel glass (after the door is installed) for the following models:

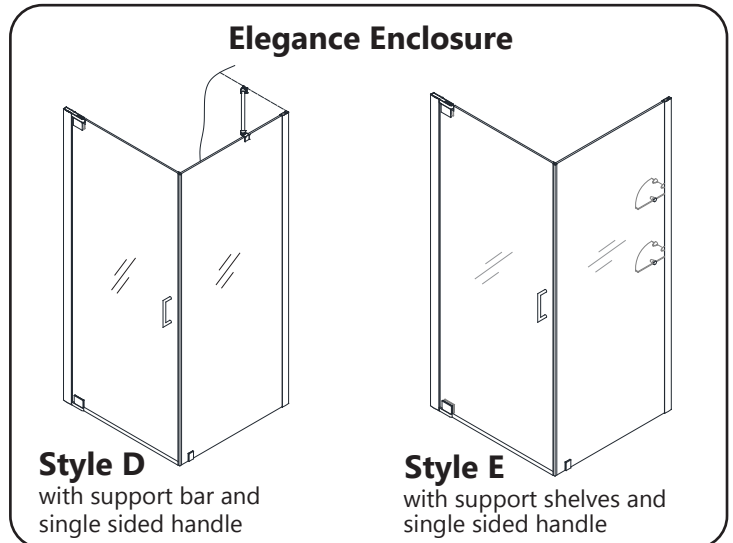


Left-Swing door installation shown



For Elegance Enclosure models

Style D and Style E, reference the sizing table in the enclosure panel manual to install the door glass at the correct dimension for the enclosure model size that was purchased.



Left-Swing door with right side return panel installation shown

Preparation

1. Prior to installation, examine all boxes and packages for shipping damage and compare the piece count with the packing slip. After opening all boxes and packages read this introduction carefully. Check that all of the necessary parts are included in the package by checking off the components on the "Detailed Diagram of Shower Door Components". If the unit has been damaged, has a finishing defect, or has missing parts, please contact our customer support department within **3 business days** of the delivery date. **Please note that DreamLine® will not replace any damaged products or missing parts free of charge after 3 business days or if the product has been installed.** Contact DreamLine® if you have any questions, and please provide an order number, job name or other proof of purchase to help identify the original order.
2. **Please note that you should consult your local building codes with questions on installation compliance standards. Building and plumbing codes may vary by location, and DreamLine® is not responsible for code compliance standards for your project and will not accept any returns.**
3. If this unit is going to be installed in a new construction, please install all of the required plumbing and drainage before installing the shower. Use a competent and licensed (if required by local code) plumber for all plumbing installation
4. Make sure that prior to beginning the installation, the surfaces are leveled and solid and will be able to support the total weight of the unit. Also make sure the walls are at right angles. Irregular installation surface level, radius corners or improper angle of side walls will result in serious problems for your installation. Note that some adjustments and drilling will be necessary during the installation process.
5. Protect all primary surfaces of the product during installation. Never set the glass down directly onto a tile floor. Leave corner protectors in place until necessary to remove them. Always use a piece of wood or cardboard to protect the bottom edge and corners of the glass prior to and during installation.
6. This unit must be installed upon a finished threshold and against finished walls.
7. **This model has 1" of adjustment per wall profile for out-of-plumb wall conditions and overall width within the model size.**
8. **Professional installation recommended.**

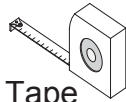


NOTE: DO NOT attach the handle to the door glass until instructed.
DO NOT use the handle to lift the glass during installation. This may result in damage to the glass and/or serious injury. Always use an assistant or a professional grade glass suction cup when handling heavy glass.

Tools



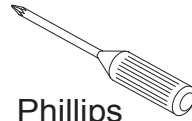
Level



Tape Measure



Pencil



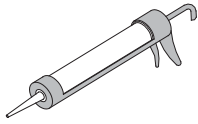
Phillips Screwdriver



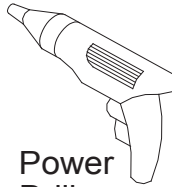
Drill bit
Ø5/16"
(8mm)



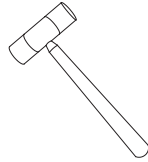
Drill bit
Ø1/8"
(3mm)



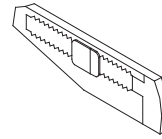
Silicone



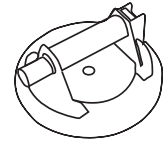
Power Drill



Soft Head Hammer



Razor Knife



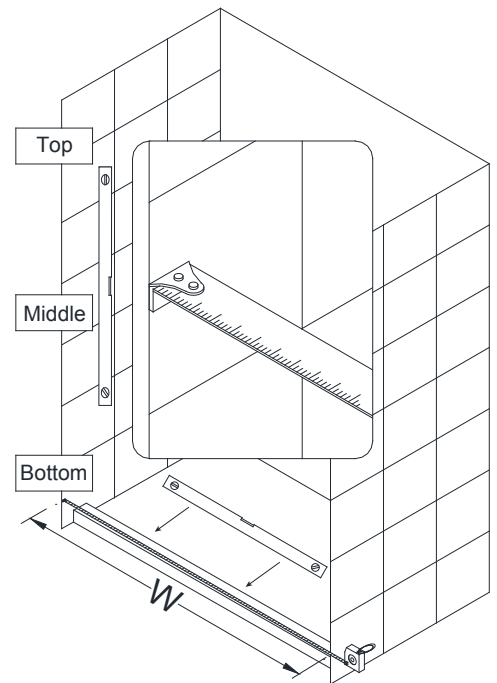
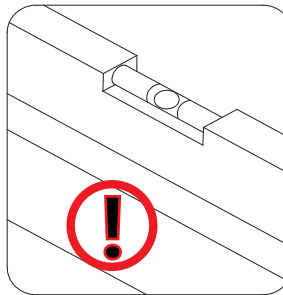
Professional grade
Glass suction cup

Tip: Measure the finished opening before proceeding with the installation to be sure that the correct model size has been ordered.

Tip: Prior to installation, cover the shower/tub drain with tape to prevent losing screws or small parts.

Tip: Set screw gun clutch to low setting when installing screws and bolts to prevent stripping the heads.

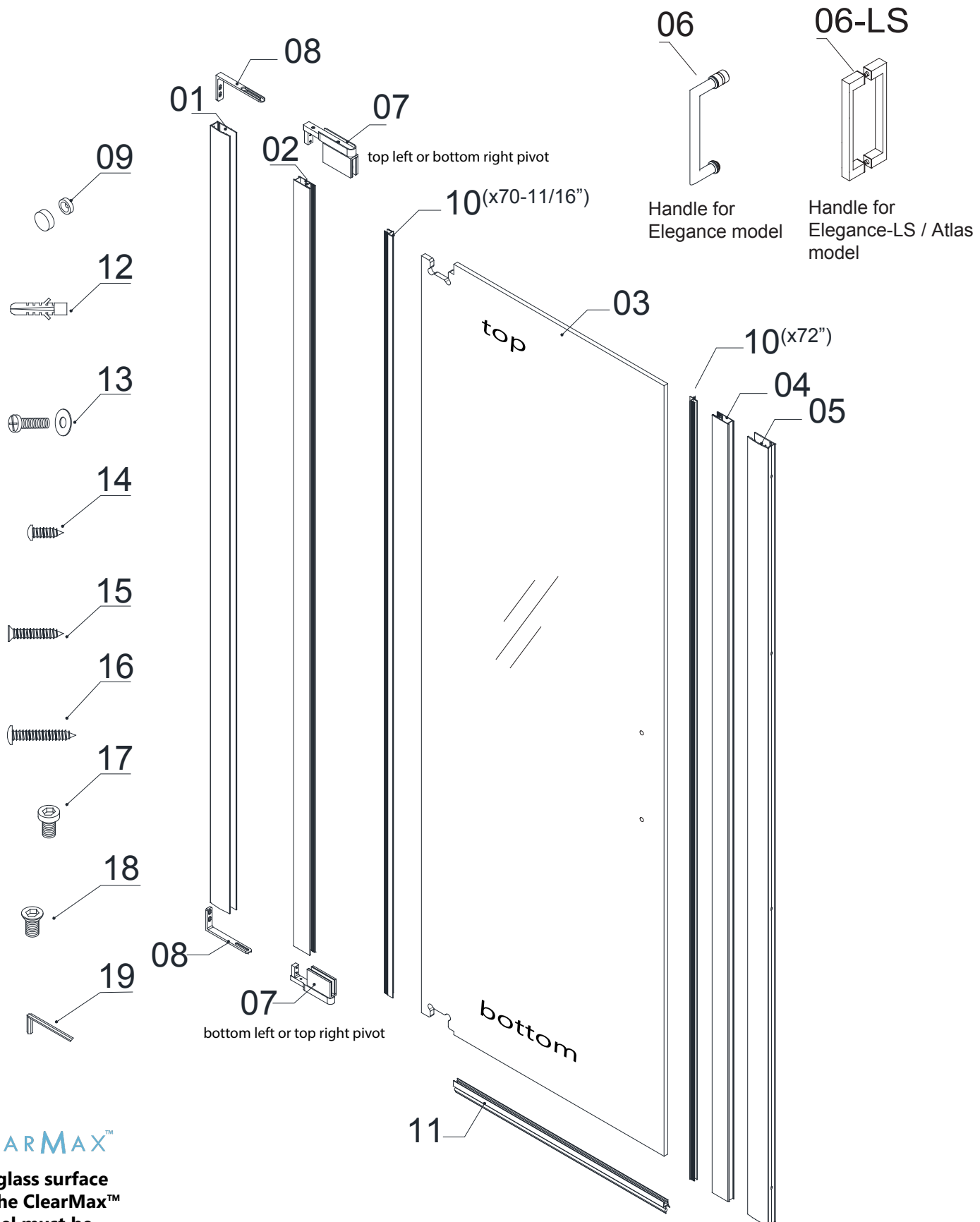
Threshold must be level.



NOTE: Unpack your unit carefully and inspect it. Lay it out and identify all parts using the detailed diagram and packing list in this manual as a reference. Before discarding the carton, check for small hardware bags that may have fallen to the bottom of the box. If any parts are damaged or missing, please contact DreamLine® for replacement. The shipping boxes may contain extra parts not used in your model configuration.

NOTE: Retain these installation instructions for future reference.

Detailed Diagram of shower door components



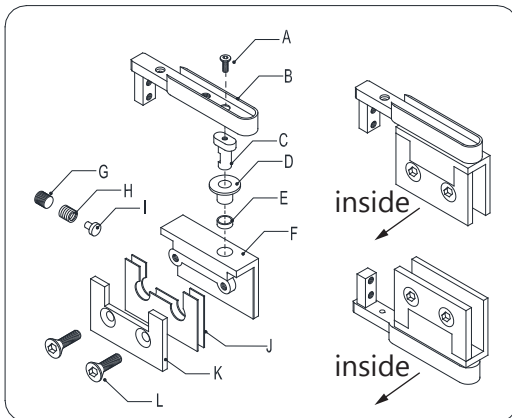
CLEARMAX™
 The glass surface with the ClearMax™ label must be installed to face inside of the shower

Parts List

PART#	DESCRIPTION	QTY
01	Wall profile for Pivot side	1pc
02	Glass profile for Pivot side	1pc
03	Door glass	1pc
04	Glass profile	1pc
05	Wall profile	1pc
06 / 06-LS	Handle (Elegance / Elegance-LS)	1set
07	Pivot assembly (top and bottom)	1pair
08	Pivot retainer	2pcs
09	Decorative cover with washer	8pcs
10	* Snap-in Anti-water strip (1 long / 1 short)	2pcs
11	Sweep Vinyl seal	1pc
12	Wall anchor	12pcs
13	Bolt M4x16 (with washer)	4pcs
14	Pan head screw ST4.2x10	8pcs
15	Flat head screw ST4.2x25	2pcs
16	Large Truss head screw ST4.2x40	13pcs
17	Round head socket bolt M6x12	1pc
18	Flat head socket bolt M6x12	1pc
19	Hex wrench	2pcs

*(see note in step #10)

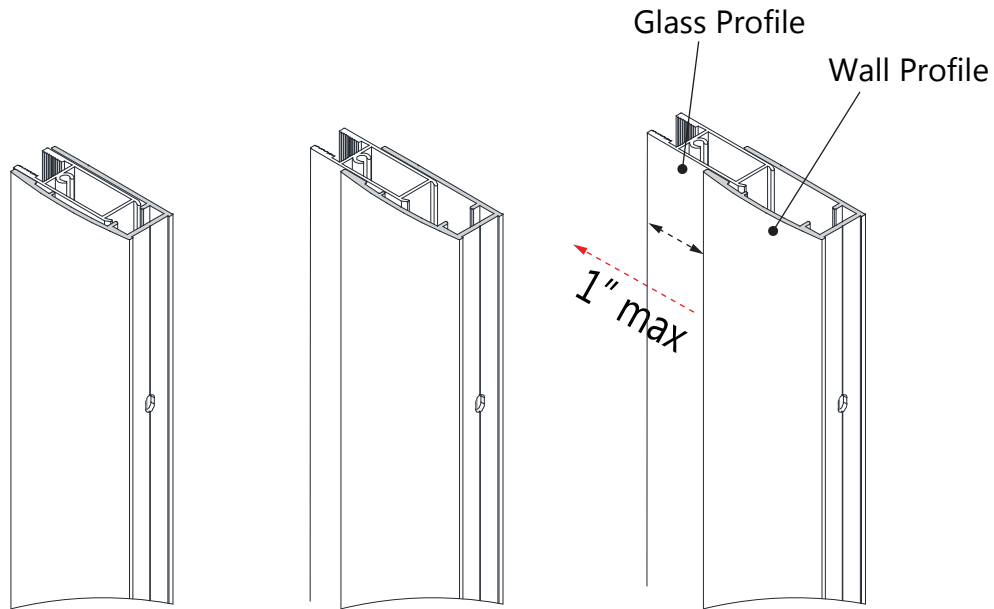
Pivot assembly (part#07) -parts per assembly (1 top and 1 bottom)



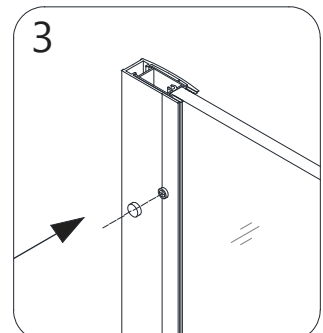
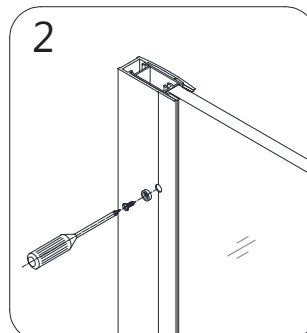
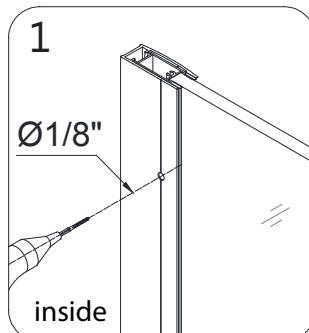
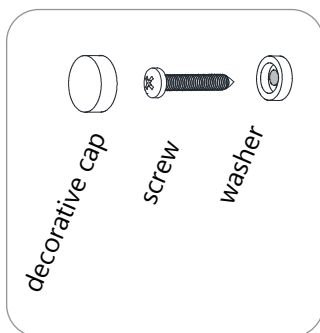
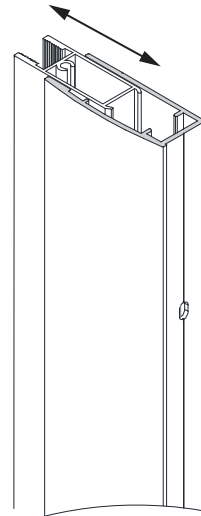
A	Flat head bolt M4x8	1pc	G	Bolt M12x10	1pc
B	Pivot bracket	1pc	H	Spring	1pc
C	Pivot axis	1pc	I	Core	1pc
D	Washer A	1pc	J	Clear Gasket	1set
E	Washer B	1pc	K	Back plate	1pc
F	Pivot body	1pc	L	Bolt	2pcs

The above pivot assembly parts list is for identification only. It is not necessary to completely disassemble the hinge.

Adjustable Wall Profile System



The Glass Profiles can be adjusted within the Wall Profiles for overall width or to correct for out-of-plumb conditions within the model size. Screw them together after making final adjustments.



Installation steps



The Elegance-LS / Atlas Left-Swing door installation is shown as an example throughout this manual.



NOTE: If this door is to be part of an enclosure model, refer to the model size table in the enclosure panel glass manual for the correct placement of the door glass to match the enclosure size.

1. Position the **Wall Profile for Pivot Side (#01)** onto the threshold and against the desired hinge-side wall and adjust to plumb. Mark all eight (8) drill holes on the wall through the predrilled holes in the **Wall Profile for Pivot Side (#01)**.

Next, drill the holes using a $\text{Ø}5/16''$ drill bit and insert the **Wall Anchors (#12)**. (Fig 1)

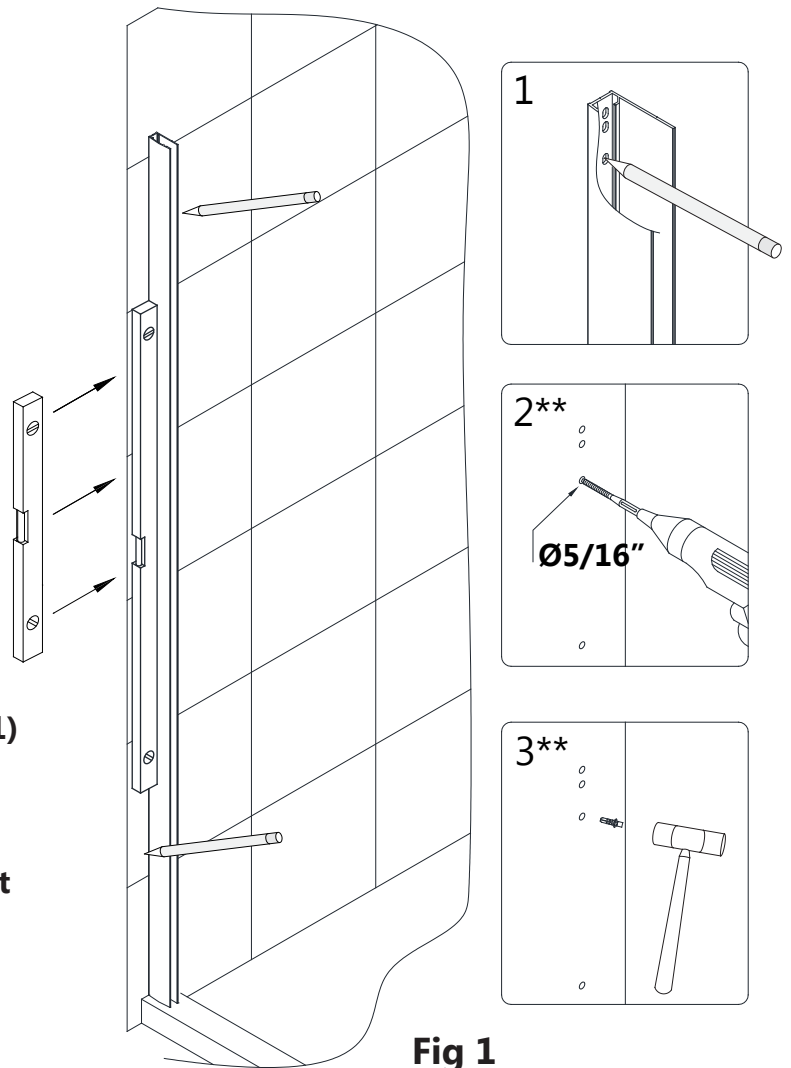
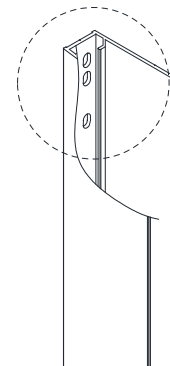


Fig 1

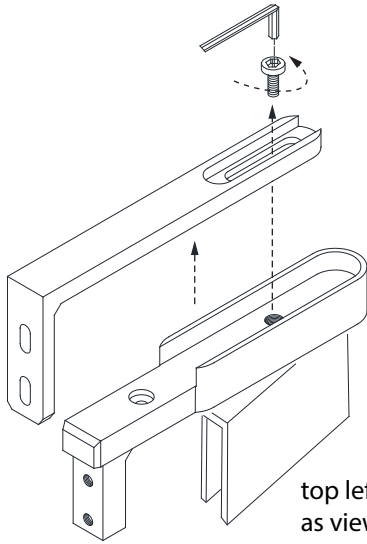


NOTE: The **Wall Profile for Pivot Side (#01)** has an additional pair of holes at each end and is milled out to accept the **Pivot Retainers (#08)** (Fig 1.1). These extra holes are not present in the **Wall Profile (#05)** that is used for the strike side (or panel side for models with an additional panel).



****When installing into a stud** (recommended but not required) drill $\text{Ø}1/4''$ holes up to the stud and drill $\text{Ø}1/8''$ pilot holes into the stud and do not use the wall anchors.

2. Separate the **Pivot Retainers (#08)** from the **Pivot Assemblies (#07)** by removing the **Round Head Socket Bolt M6×12 (#17)**. Insert the **Pivot Retainers (#08)** into both ends of the **Wall Profile for Pivot Side (#01)**. (**Fig 2**)



top left/ bottom right pivot shown as viewed from outside

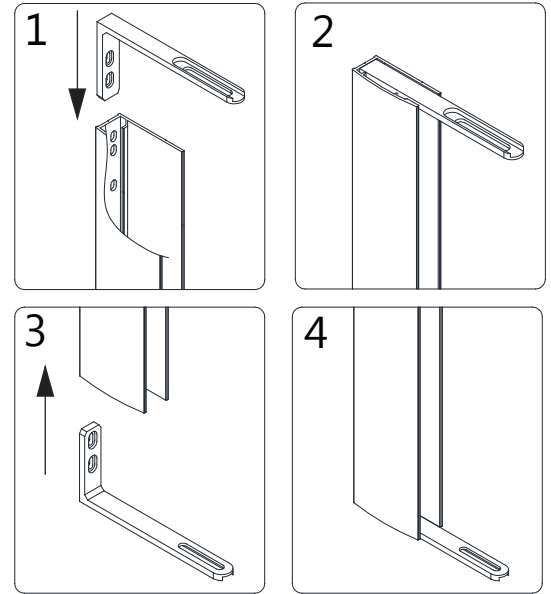


Fig 2

3. Run a bead of silicone along the holes on the wall and on the back of the **Wall Profile for Pivot Side (#01)**. Attach the **Wall Profile for Pivot Side (#01)** and **Pivot Retainer (#08)** to the wall using the **Large Truss Head Screws ST4.2×40 (#16)**. (**Fig 3**)

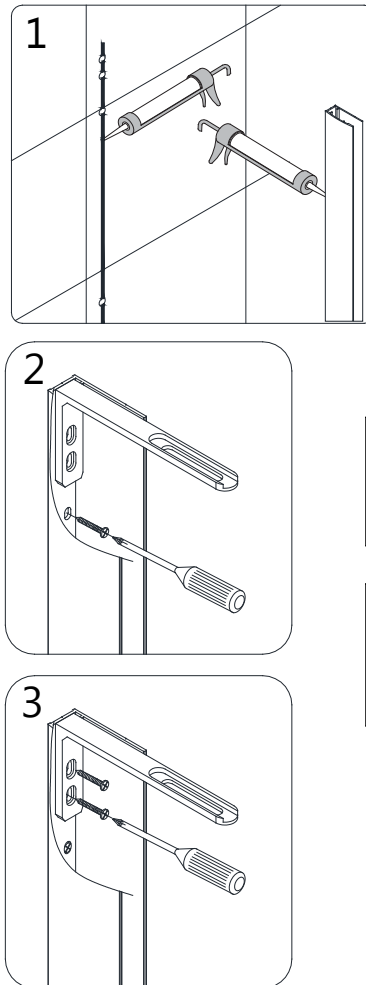
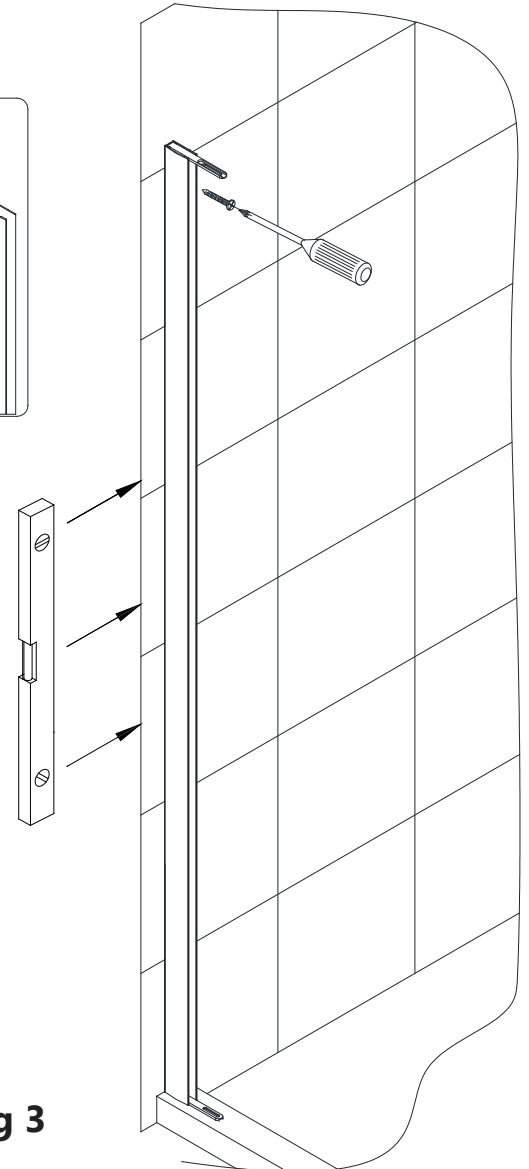


Fig 3





NOTE: The **Glass Profile for Pivot Side (#02)** is shorter and has an additional pair of holes at each end for the **Pivot Assembly (#07)**. These extra holes are not present in the **Glass Profile (#04)** that is used for the strike side/panel side.

4. Attach the **Pivot Assemblies (#07)** to the top and the bottom ends of the **Glass Profile for Pivot Side (#02)** with the **Flat Head Screws ST4.2x25 (#15)** and **M4x16 bolts and washers (#13)**. (Fig 4)



NOTE: Attach the hinges to the **Glass Profile for Pivot Side (#02)** as shown in Fig 4. The **Back Plate (K)** of the **Pivot Assembly (#07)** must face inside of the shower. (see the diagram parts list for hinge part details)

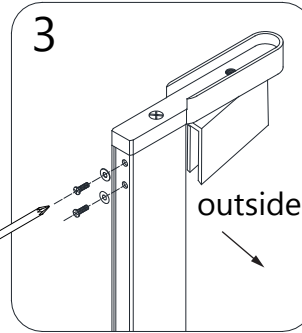
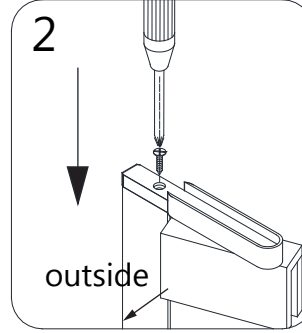
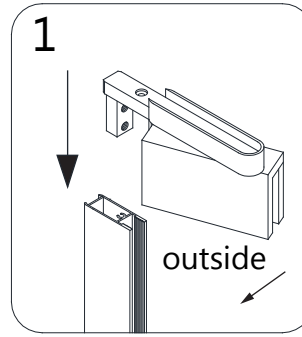
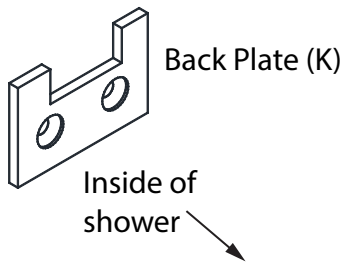
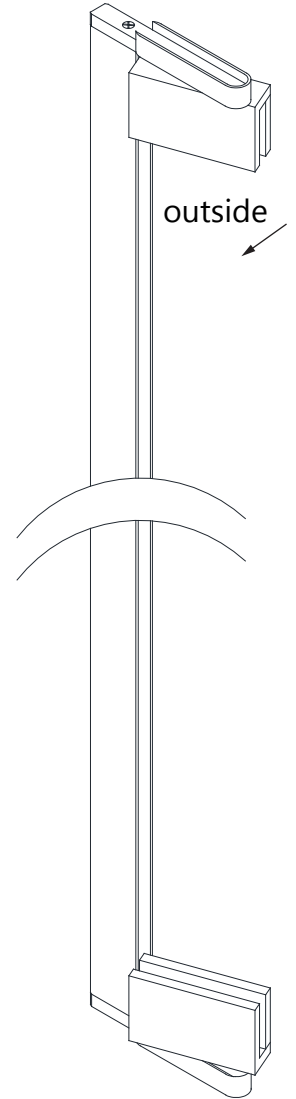


Fig 4



The two piece wall profile system (consisting of the glass profiles and wall profiles) will allow for overall width and/or out-of-plumb adjustment within the model size.

5. Slide the **Glass Profile for Pivot Side (#02)** with the attached **Pivot Assemblies (#07)** into the **Wall Profile for Pivot Side (#01)** and secure the top **Pivot Retainer (#08)** to the top **Pivot Assembly (#07)** with the **Round Head Socket Bolt M6x12 (#17)**. (Fig 5)

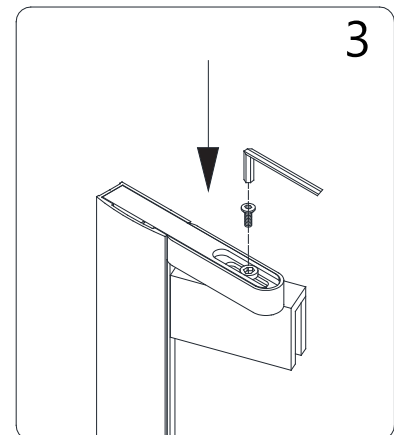
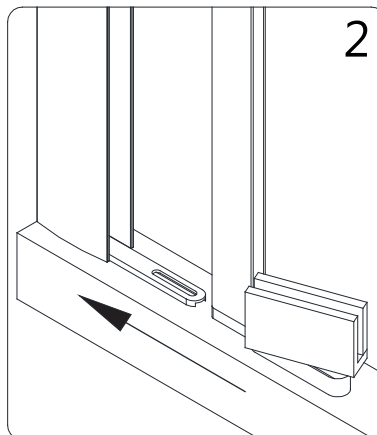
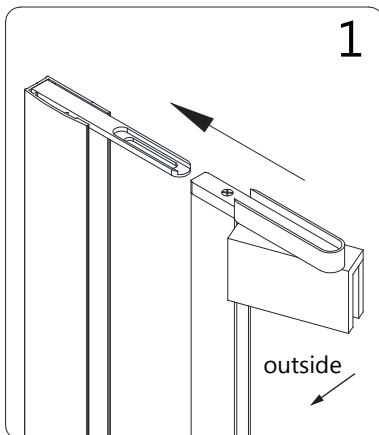


Fig 5

Fully tighten this bolt after all adjustments with the glass profile have been made



NOTICE: The Door Glass (#03) has a top and a bottom notch for the pivots. The notch at the top is deeper and the notch at the bottom is shallower (to allow space for the bottom sweep vinyl). Identify this difference to prevent installing the Door Glass upside-down.

See Pivot Assembly parts list on Page 6 for reference

6. Remove the Bolts (L) and Back Plates (K) from the top and bottom Pivot Assemblies (#07).

Position the Door Glass (#03) onto the Pivot Assemblies (#07). Hold the Clear Gaskets (J) in place on either side of the Door Glass and attach the Back Plates (K). Tightly secure the Door Glass (#03) to the Pivot Assemblies (#07) using Bolts (L). (Fig 6)

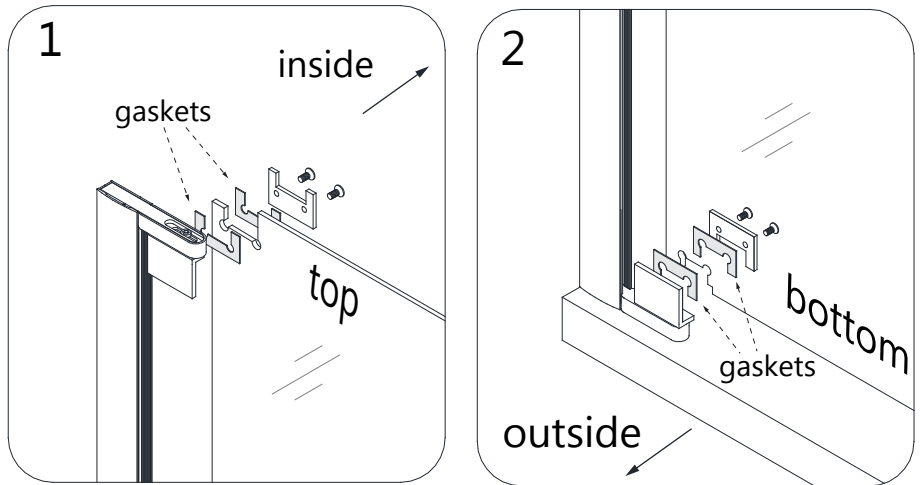


Fig 6



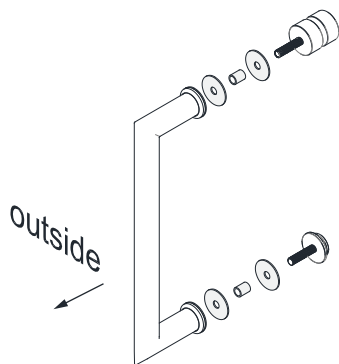
Use caution when handling the Door Glass. DO NOT lift the Door Glass with the handle.

7. Attach the *Handle (#06 or #06-LS) onto the Door Glass (#03). (Fig 7)

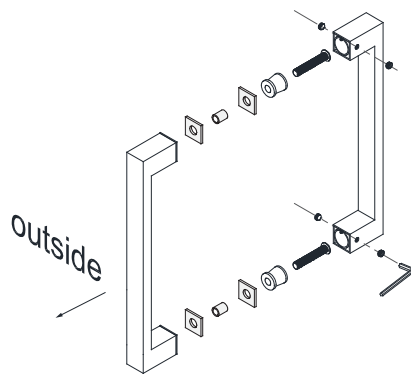


*The Elegance model comes with the single sided handle.

*The Elegance-LS / Atlas model comes with the square back-to-back handle.



Elegance



Elegance-LS / Atlas

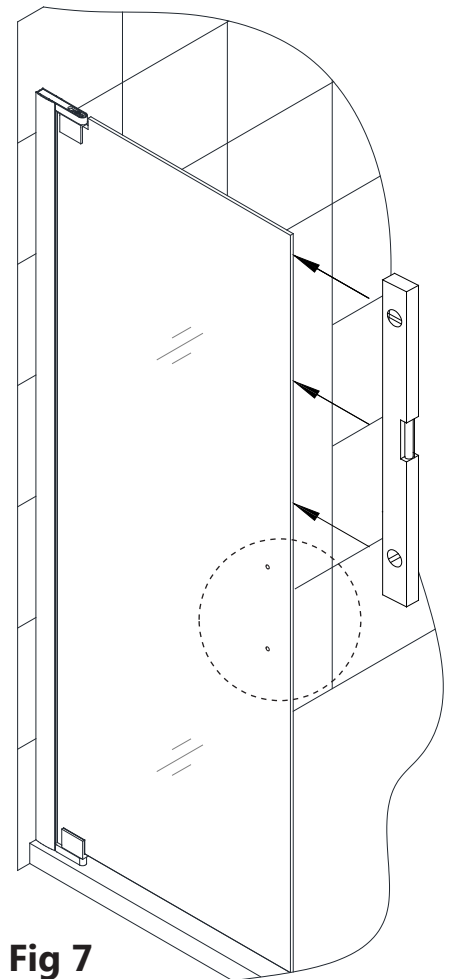


Fig 7

8. Open the **Door Glass (#03)** to expose the bottom **Pivot Retainer (#08)**. (Fig 8)

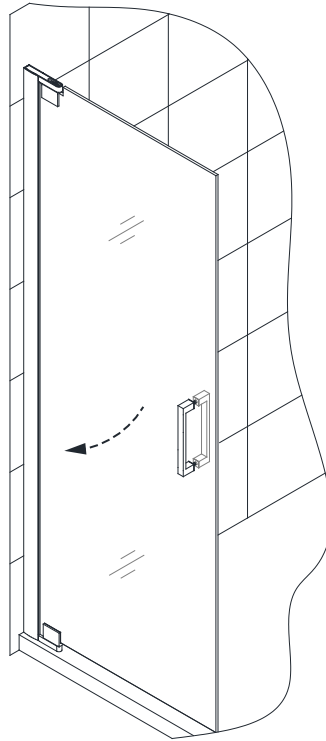


Fig 8



NOTE: Sealing the hole in the bottom Pivot Retainer is important. Screwing the bottom Pivot Retainer to the threshold is optional.

9. Seal the unused hole in the bottom **Pivot Assembly (#07)** with the **Flat Head Socket Bolt M6×12 (#18)** OR attach the **Pivot Retainer (#08)** to the Shower base or threshold by drilling an **Ø1/8"** hole and using a **Large Truss Head Screw ST4.2×40 (#16)**.

Apply silicone sealant over the **Screw (#16)** or **Bolt (#18)** to prevent leakage for either method. (Fig 9)



*Any width and/or out-of-plumb adjustments using the adjustable wall profile system must be made prior to screwing the Pivot Assembly (#07) down into the threshold.

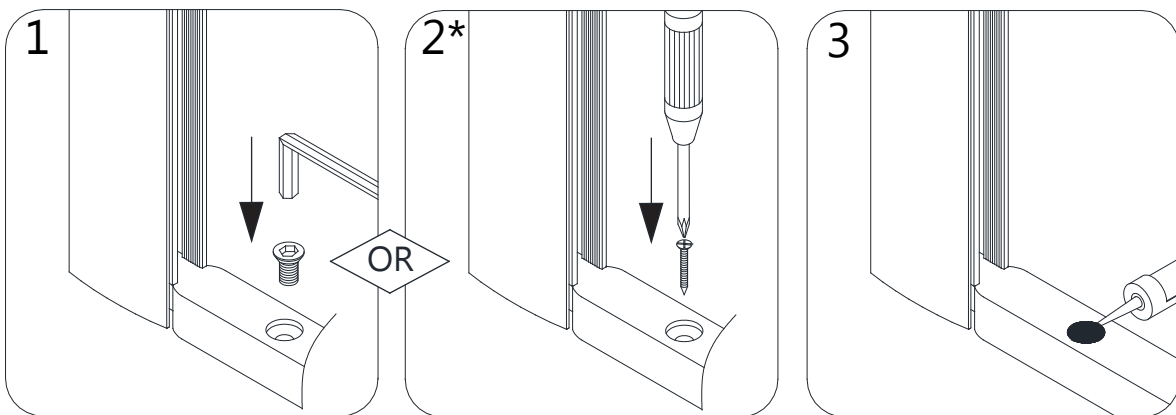


Fig 9



When installing the door along with an inline panel or enclosure model, postpone this step until after alignment with the panel glass.

10. Firmly push the shorter Snap-In Anti-Water Strip (#10) into the vertical groove of the **Glass Profile for Door Glass (#02)**. (Fig 10)

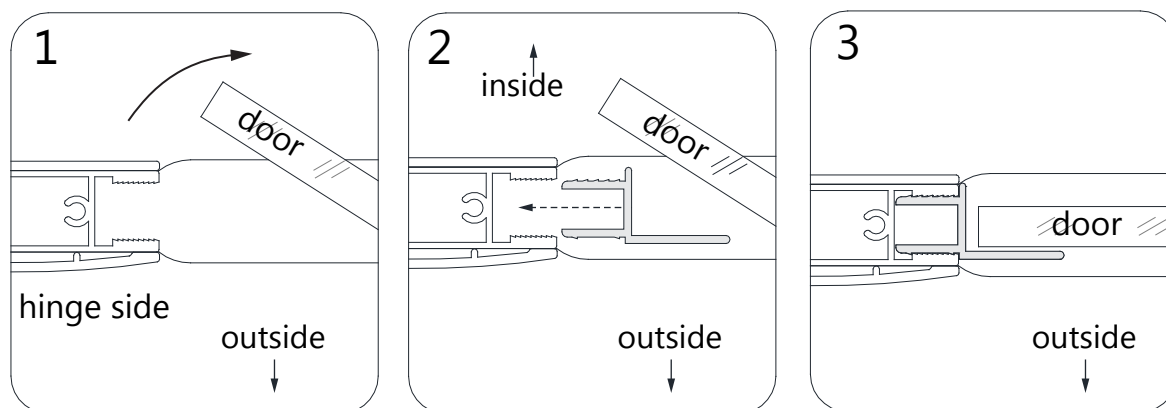


Fig 10



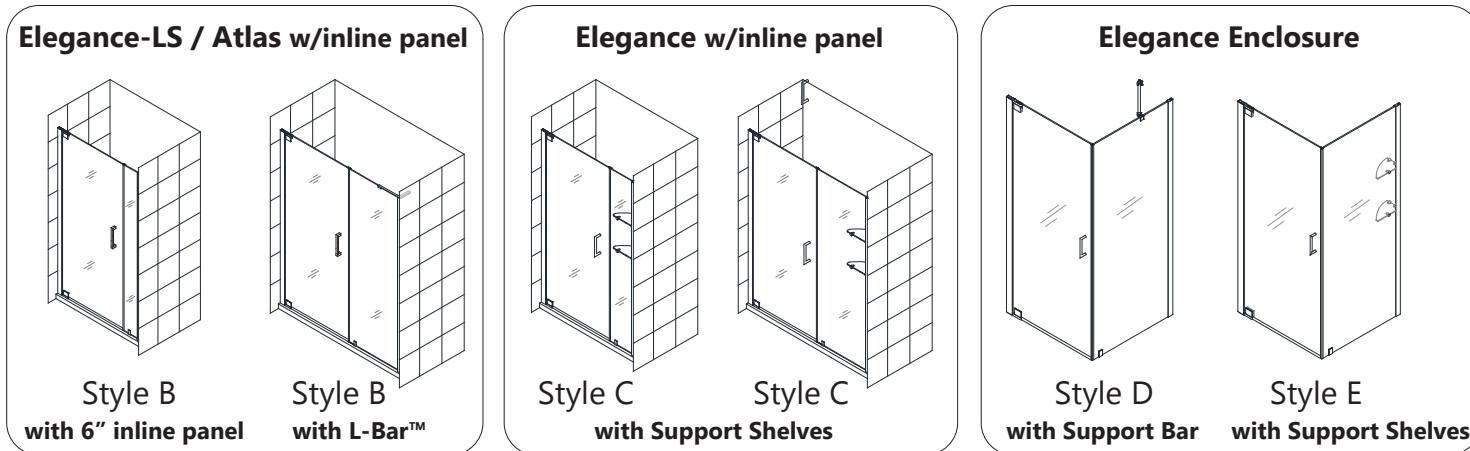
NOTE:

- When installing the single door model, use both of the **Snap-In Anti-Water Strips (#10)** (Fig 10 & Fig 11) included with the **Door Glass** that snap into the **Glass Profiles**, (snap the shorter one into the hinge side glass profile and the longer one into the strike side glass profile).
- When installing a door with an inline panel or an enclosure panel, discard the longer (x72") **Snap-In Anti-Water Strip (#10)** and attach the **Anti-Water Strip (inline)** or **Anti-Water Strip (enclosure)** (that is packaged with the panel glass) onto the edge of the **Panel Glass** as instructed in the panel installation manual.

For the single door installation, continue on to step #11.



If installing a model that includes panel glass (inline or enclosure), complete the installation steps using the manual that is packaged with the panel glass.



11. Push the **Glass Profile (#04)** into the **Wall Profile (#05)** and snap the longer **Anti-Water Strip (#10)** into the **Glass Profile (#04)**. (**Fig 11**)

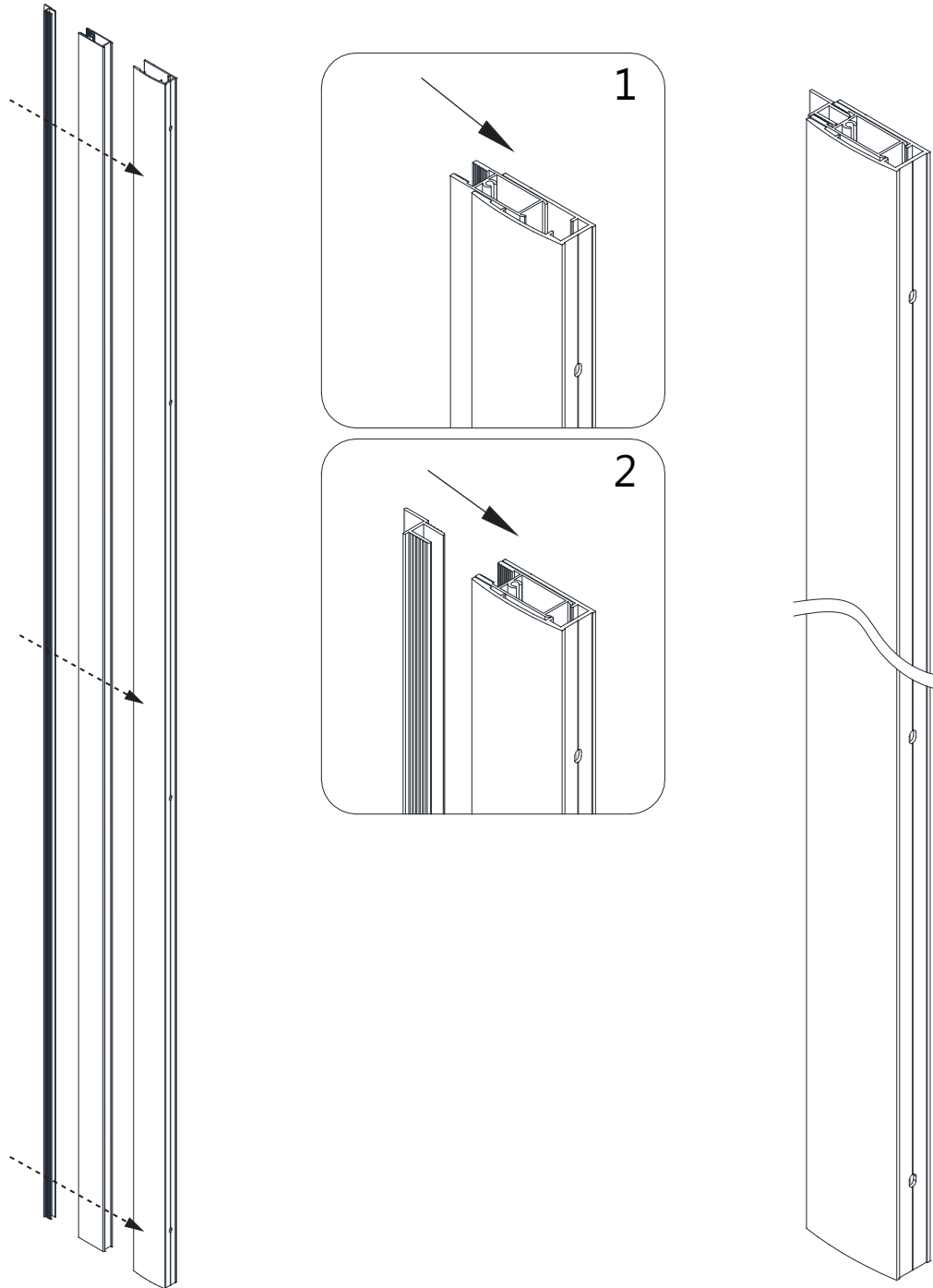
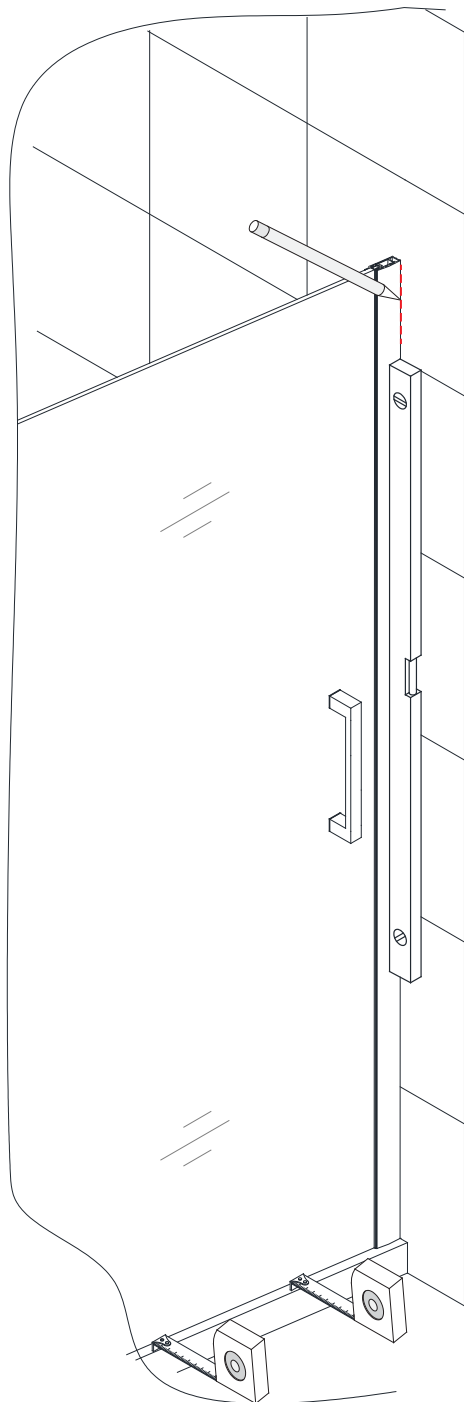


Fig 11

12. Hold the **Door Glass (#03)** in the closed position, parallel to the threshold. Adjust the **Glass Profile (#04)** within the **Wall Profile (#05)** and adjust the position of the **Wall Profile (#05)** on the wall to ensure that the **Door Glass (#03)** makes tight contact with the flange of the **Anti-Water Strip (#10)** from top to bottom. Use a level to ensure that the **Door Glass (#03)** and the **Wall Profile (#05)** are plumb, but make sure that the door glass makes full contact with the strike vinyl.

Draw a line on the wall along the vertical edge of the **Wall Profile (#05)**. Detach the **Wall Profile (#05)** from the **Glass Profile (#04)**. Place the **Wall Profile (#05)** back onto the outlined position on the wall and mark the holes for drilling through the pre-drilled holes in the **Wall Profile (#05)**. Drill the holes in the wall using a **Ø5/16"** drill bit. Insert the **Wall Anchors (#12)** into the holes. **(Fig 12)**



Adjust the glass profile within the wall profile

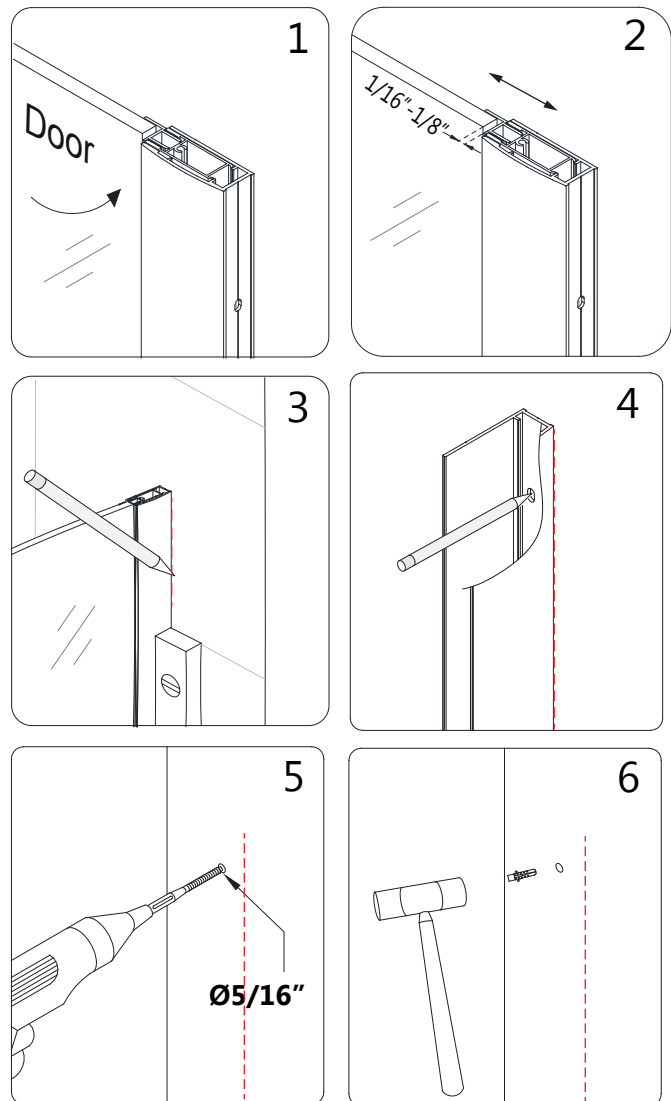


Fig 12

Make sure that the reveal is even along the threshold.

13. Apply silicone to the back of the **Wall Profile (#05)** and around the holes in the wall. Install the **Wall Profile (#05)** to the wall using the **Large Truss Head Screws ST4.2×40 (#16)**. Slide the **Glass Profile (#04)** back into the **Wall Profile (#05)**. (**Fig 13**)

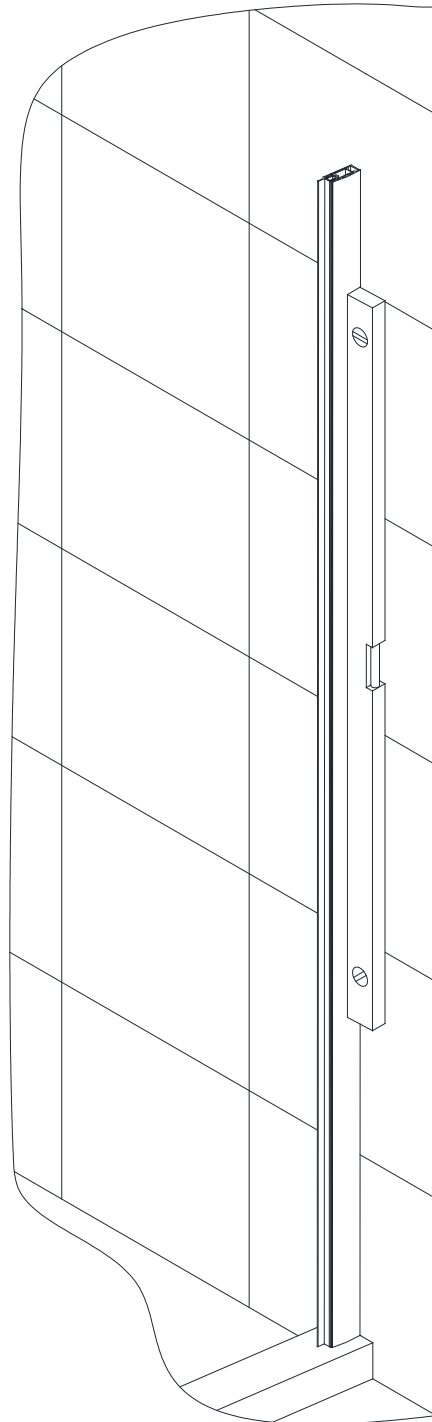
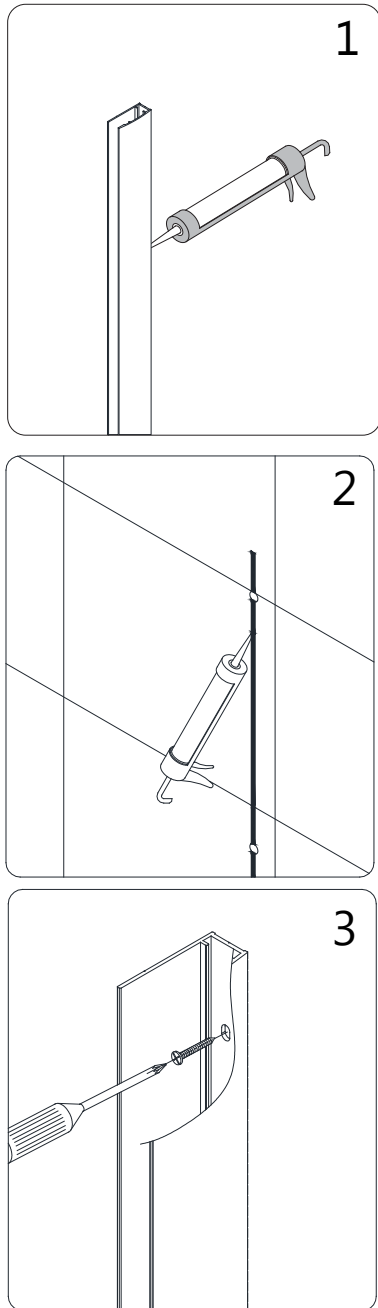


Fig 13

14. Adjust the overall width of the **Door** using the **Glass Profiles (#02 and #04)** on one or both sides of the opening. Slide the **Glass Profiles** out of the **Wall Profiles** up to 1" per side as necessary to maintain a **1/16" - 1/8"** reveal between the **Door Glass (#03)** and the **Anti-Water Strip (#10)**. (Fig 14.2)
 Hold the top of the **Door Glass (#03)** level and tighten the pivot assembly in place with the **Round Head Socket Bolt M6×12 (#17)** (Fig 14.3). Test the operation of the door before proceeding to the next step. (Fig 14)

! Use caution not to damage the edges of the door glass during adjustments

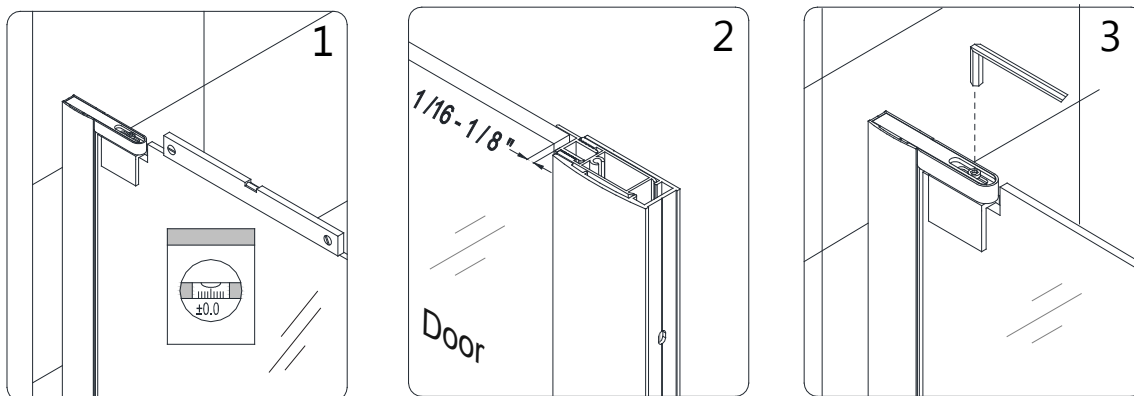


Fig 14

15. After final adjustments and leveling of the assembled door and profiles, drill holes into the **Glass Profiles (#02 and #04)** through the pre-drilled holes in both **Wall Profiles (#01 and #05)** using an **Ø1/8"** drill bit. (Fig 15)

! **NOTE:** Only drill through the first layer of the **Glass Profile**.

Use the **Pan Head Screws ST4.2×10 (#14)** and **Decorative Cover Washers (#09)** to secure the **Glass Profiles (#02 and #04)** inside of the **Wall Profiles (#01 and #05)**. Cover the exposed screws with the **Decorative Covers (#09)**.

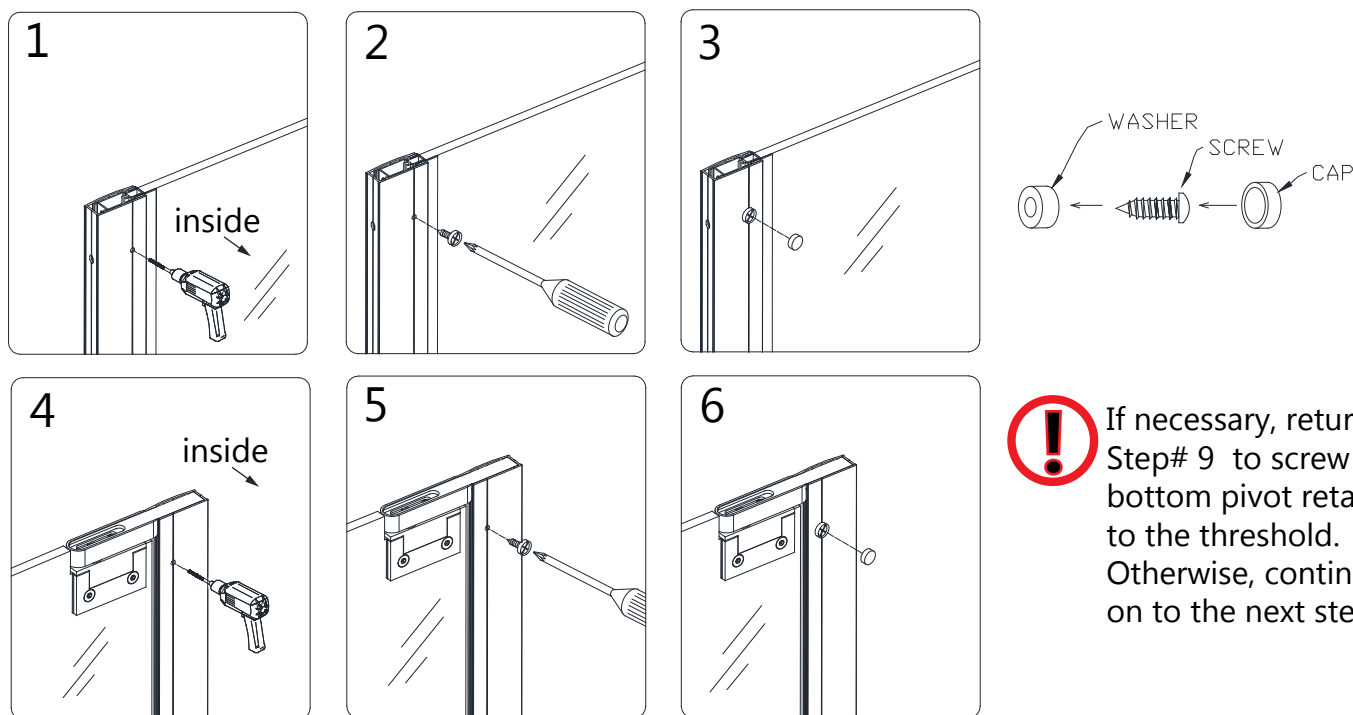


Fig 15

! If necessary, return to Step# 9 to screw the bottom pivot retainer to the threshold. Otherwise, continue on to the next step.

16. Cut the **Sweep Vinyl Seal (#11)** to the width of the **Door Glass (#03)**. Next, trim the **Sweep Vinyl Seal (#11)** to size up to the bottom pivot. Close the door and notch off the deflector on the inner side of the **Sweep Vinyl Seal (#11)** where it overlaps the strike vinyl when the door is closed (Fig 16.3). Press the **Sweep Vinyl Seal (#11)** tightly onto the bottom edge of the **Door Glass (#03)**. (Fig 16)

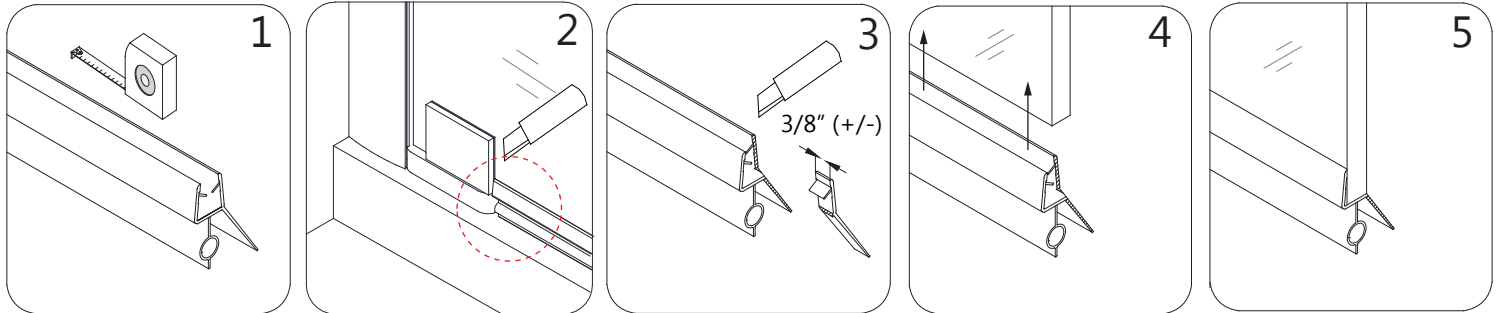


Fig 16

17. Apply a good quality mildew-resistant silicone along the **Wall Profiles** where they attach to the wall and along the threshold and the bottom **Pivot Bracket**. (Fig 17)

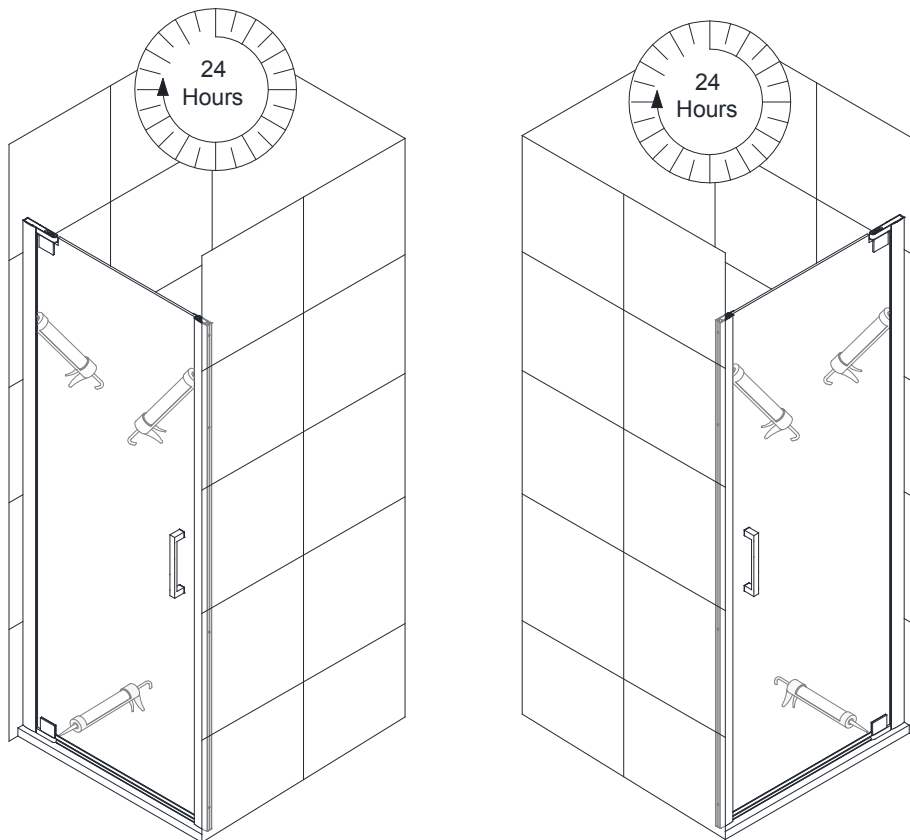


Fig 17



Allow 24 hours for the silicone to cure before using the shower.

Product Maintenance

BASES and BACKWALLS: To ensure long-lasting life for your acrylic back walls, wipe them off after each use with a soft cloth. To clean the acrylic back walls use non-abrasive sprays or cream based cleaners. Avoid the use of aerosol spray cleaners. Never use abrasive cleansers, metal brushes or scrapers that could scratch or dull the surface.

GLASS: To ensure long-lasting life for your glass shower products, wipe them off after each use with a soft cloth. Rinse and wipe off the glass using either a soft cloth or a squeegee to prevent soap buildup and water spots (Hard water can etch the surface of the glass over time if left to dry). To prevent scratching the surface: never use abrasive cleaners or cleaning products that contain scouring agents. Never use bristle brushes or abrasive sponges that may scratch the surface.

HARDWARE: To ensure a long-lasting finish, wipe off the metal parts after each use with a soft cloth. Do not use abrasive cleaners or cleaning products containing ammonia, bleach or acid. If accidentally used, rinse the surface as soon as possible to prevent damage to the finish (peeling or corrosion). After cleaning the polished finishes, rinse thoroughly and wipe dry with a soft cloth. Clean stainless steel surfaces at least once a week. When applying stainless steel cleaner or polish to stainless steel hardware, work with (not across) the grain. Never use an abrasive sponge or cloth, steel wool or wired brush as these may permanently scratch the surfaces.

NOTE: To maximize the life of your door, it is important to regularly inspect the glass and all hardware for misalignment, proper attachment, and/or damage. Contact DreamLine® with any questions or concerns.

DreamLine® shower doors and enclosures are designed not to leak when installed properly and the flow of water is not pointed directly at the hinges or vinyl seals.



TEL: 866-731-2244
FAX: 866-857-3638
DREAMLINE.COM

For more information on DreamLine[®] Shower Doors and Enclosures please visit **DreamLine.com**

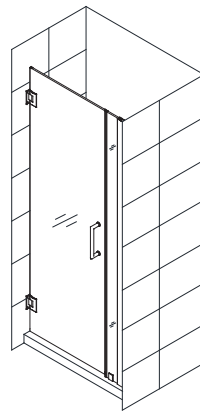
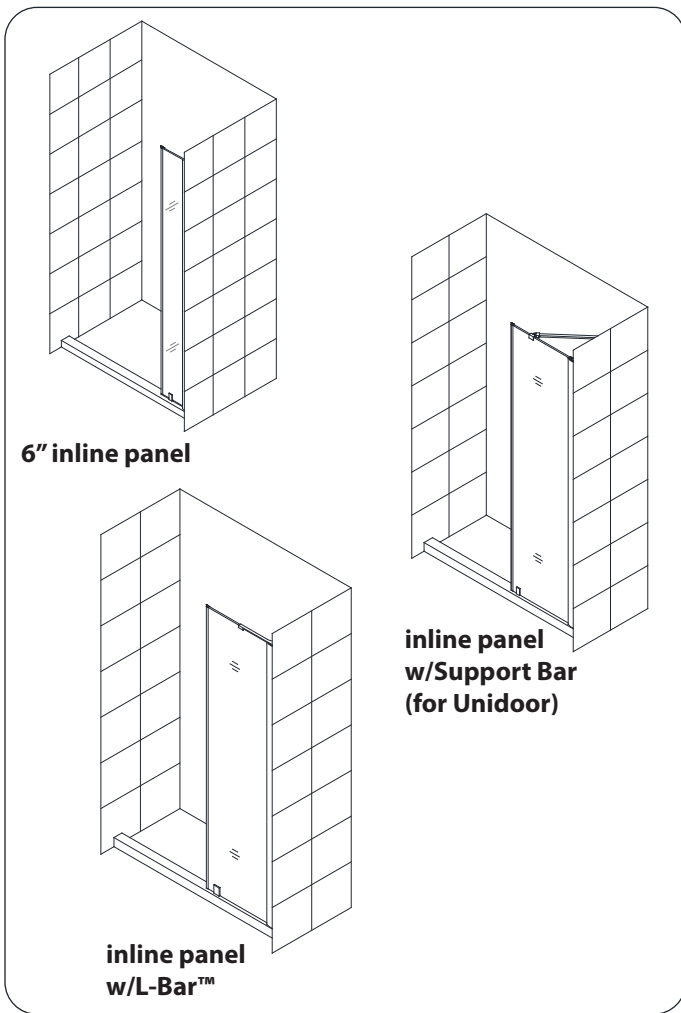
INLINE PANEL - STYLE B

INLINE PANEL INSTALLATION INSTRUCTIONS

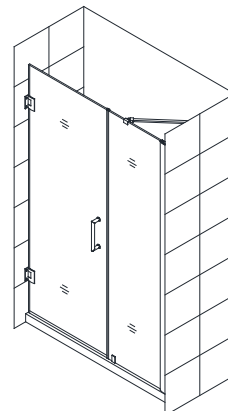
IMPORTANT

DreamLine® reserves the right to alter, modify or redesign products at any time without prior notice. For the latest up-to-date technical drawings, manuals, warranty information or additional details please refer to your model's web page on DreamLine.com

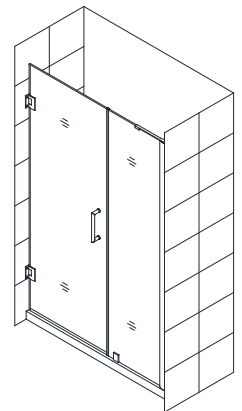
This inline panel is used with the following models:



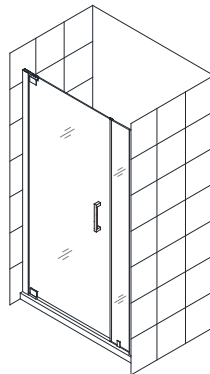
UNIDOOR Style B w/6" panel



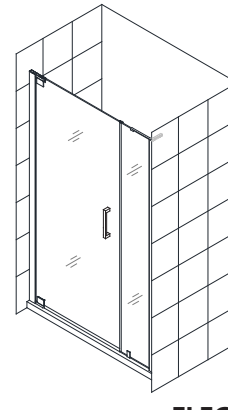
UNIDOOR Style B w/Support Bar



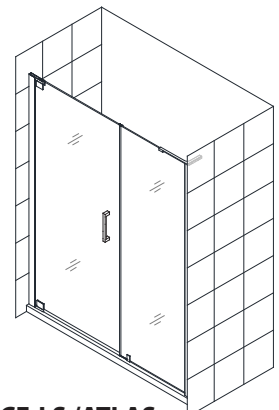
UNIDOOR -LS Style B w/L-Bar™



ELEGANCE-LS / ATLAS Style B w/6" panel



ELEGANCE-LS / ATLAS Style B w/L-Bar™



Right-side inline panel installation shown

Please review this entire manual prior to installation.



Questions?

Please Call **DreamLine Customer Support: 1-855-831-2126**
Hours of Operation M-F 8AM - 7PM EST and Saturday 9AM - 5PM EST

Support@DreamLine.com



For more information about DreamLine® Shower Doors, Tub Doors & Enclosures, please visit DreamLine.com

Model #s

UNIDOOR - Style B w/ 6" inline

MODEL #s

SHDR-20297210-##
SHDR-20307210-##
SHDR-20317210-##
SHDR-20327210-##
SHDR-20337210-##
SHDR-20347210-##
SHDR-20357210-##
SHDR-20367210-##

UNIDOOR - Style B inline w/ Support Bar

MODEL #s

SHDR-20417210C-##
SHDR-20427210C-##
SHDR-20437210-##
SHDR-20447210-##
SHDR-20457210-##
SHDR-20467210-##
SHDR-20477210-##
SHDR-20487210-##
SHDR-20477210C-##
SHDR-20487210C-##
SHDR-20497210-##
SHDR-20507210-##
SHDR-20517210-##
SHDR-20527210-##
SHDR-20537210-##
SHDR-20547210-##
SHDR-20537210C-##
SHDR-20547210C-##
SHDR-20557210-##
SHDR-20567210-##
SHDR-20577210-##
SHDR-20587210-##
SHDR-20597210-##
SHDR-20607210-##

UNIDOOR - Style B inline w/L-Bar™

MODEL #s

SHDR-2035723-##
SHDR-2036723-##
SHDR-2037722-##
SHDR-2038722-##
SHDR-2039722-##
SHDR-2040722-##
SHDR-2041722-##
SHDR-2042722-##
SHDR-2041723-##
SHDR-2042723-##
SHDR-2043722-##
SHDR-2044722-##
SHDR-2045722-##
SHDR-2046722-##
SHDR-2047722-##
SHDR-2048722-##
SHDR-2047723-##
SHDR-2048723-##
SHDR-2049722-##
SHDR-2050722-##
SHDR-2051722-##
SHDR-2052722-##
SHDR-2053722-##
SHDR-2054722-##
SHDR-2053723-##
SHDR-2054723-##
SHDR-2055722-##
SHDR-2056722-##
SHDR-2057722-##
SHDR-2058722-##
SHDR-2059722-##
SHDR-2060722-##

ELEGANCE-LS / ATLAS - Style B w/ 6" inline

MODEL #s

SHDR-4325060-##
SHDR-4327060-##
SHDR-4328060-##
SHDR-4330060-##
SHDR-4332060-##
SHDR-4334060-##
SHDR-4335060-##

ELEGANCE-LS / ATLAS - Style B inline w/L-Bar™

MODEL #s

SHDR-4325120-##
SHDR-4327120-##
SHDR-4328120-##
SHDR-4330120-##
SHDR-4332120-##
SHDR-4334120-##
SHDR-4335120-##
SHDR-4325180-##
SHDR-4327180-##
SHDR-4328180-##
SHDR-4330180-##
SHDR-4332180-##
SHDR-4334180-##
SHDR-4335180-##
SHDR-4325240-##
SHDR-4327240-##
SHDR-4328240-##
SHDR-4330240-##
SHDR-4332240-##
SHDR-4334240-##
SHDR-4335240-##
SHDR-4325300-##
SHDR-4327300-##
SHDR-4328300-##
SHDR-4330300-##
SHDR-4332300-##
SHDR-4334300-##
SHDR-4335300-##

= Finish

01- Chrome
04- Brushed Nickel
06- Oil Rubbed Bronze
09- Satin Black



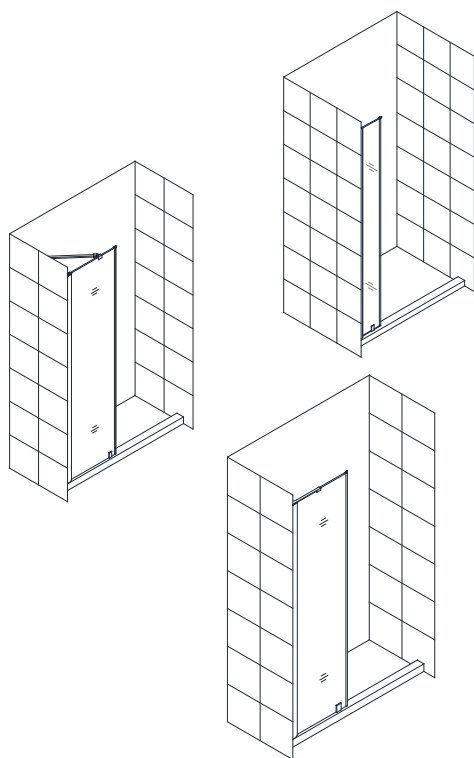
This model is treated with DreamLine's exclusive ClearMax™ Glass technology. This is a specially formulated coating that prevents the buildup of soap and water spots.

Install the surface with the ClearMax™ label towards the inside of the shower. Please note that depending on the model, the glass may be coated on either one or both surfaces.

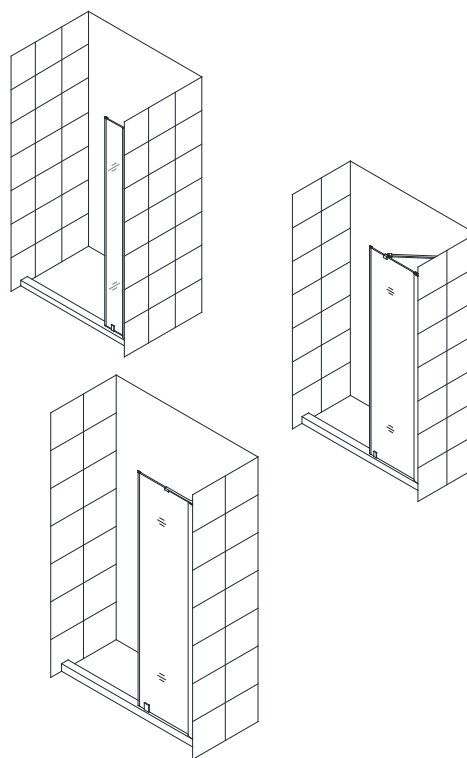
For best results, squeegee the glass after each use and dry with a soft cloth.

Table of Contents

Section title	Page #
Preparation	2
Tools	3
Detailed Diagram of Shower Panel Components	4
Parts List	5
Adjustable Wall Profile System	6
Installation Steps	7-16
Vinyl Seals	9
Support Bar Installation	13
L-Bar Assembly	14
Product maintenance	17



Left-side inline panel installation



Right-side inline panel installation



NOTE: This model is reversible for right or left-side panel installation. The right-side panel installation is shown as an example throughout this manual. For the left-side panel installation, simply begin on the opposite wall and reverse the orientation of the steps shown.

Preparation

1. Prior to installation, examine all boxes and packages for shipping damage and compare the piece count with the packing slip. After opening all boxes and packages read this introduction carefully. Check that all of the necessary parts are included in the package by checking off the components on the "Detailed Diagram of Shower Panel Components". If the unit has been damaged, has a finishing defect, or has missing parts, please contact our customer support department within **3 business days** of the delivery date. **Please note that DreamLine® will not replace any damaged products or missing parts free of charge after 3 business days or if the product has been installed.** Contact DreamLine® if you have any questions, and please provide an order number, job name or other proof of purchase to help identify the original order.

2. **Please note that you should consult your local building codes with questions on installation compliance standards. Building and plumbing codes may vary by location, and DreamLine® is not responsible for code compliance standards for your project and will not accept any returns.**

3. If this unit is going to be installed in a new construction, please install all of the required plumbing and drainage before installing the shower. Use a competent and licensed (if required by local code) plumber for all plumbing installation

4. Make sure that prior to beginning the installation, the surfaces are leveled and solid and will be able to support the total weight of the unit. Also make sure the walls are at right angles. Irregular installation surface level, radius corners or improper angle of side walls will result in serious problems for your installation. Note that some adjustments and drilling will be necessary during the installation process.

5. Protect all primary surfaces of the product during installation. Never set the glass down directly onto a tile floor. Leave corner protectors in place until necessary to remove them. Always use a piece of wood or cardboard to protect the bottom edge and corners of the glass prior to and during installation.

6. **This unit must be installed upon a finished threshold and against finished walls.**

7. **This model requires that you drill into the threshold for proper installation.**

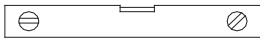
8. This model requires a minimum of **5/8"** of flat threshold space for installation.

9. **Professional installation recommended.**

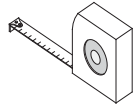


NOTE: DO NOT attach the handle to the door glass until instructed. **DO NOT** use the handle or towel bar to lift the glass during installation. This may result in damage to the glass and/or serious injury. Always use an assistant or a professional grade glass suction cup when handling heavy glass.

Tools



Level



Tape Measure



Pencil



Drill bit (Ø5/16") (8mm)



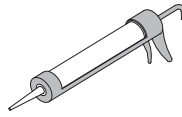
Drill bit (Ø1/8") (3mm)



Power Drill



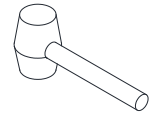
Phillips Screwdriver



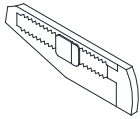
Silicone



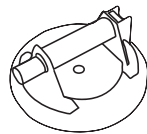
Soft Head Hammer



Mallet



Knife



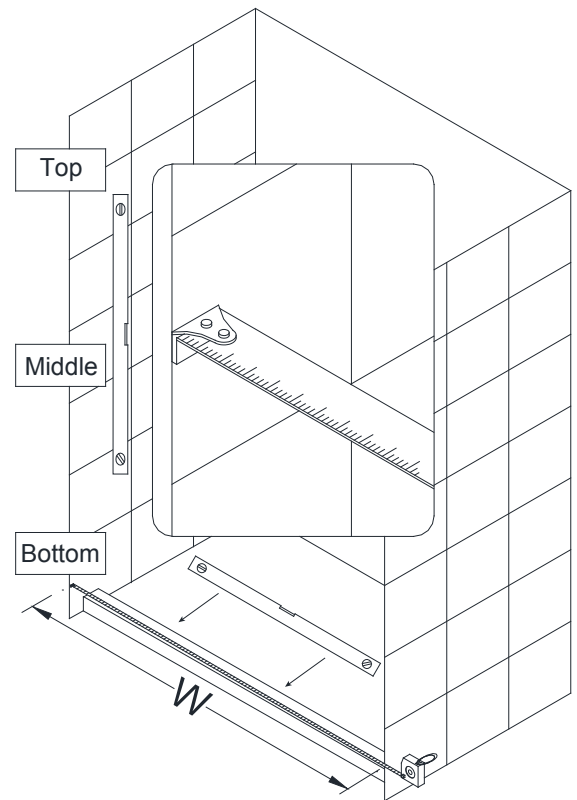
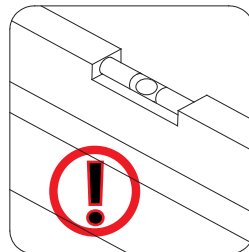
Professional-grade Glass suction cup

Tip: Measure the finished opening before proceeding with the installation to be sure that the correct model size has been ordered.

Tip: Prior to installation, cover the shower/tub drain with tape to prevent losing screws or small parts.

Tip: Set screw gun clutch to low setting when installing screws and bolts to prevent stripping the heads.

Threshold must be level

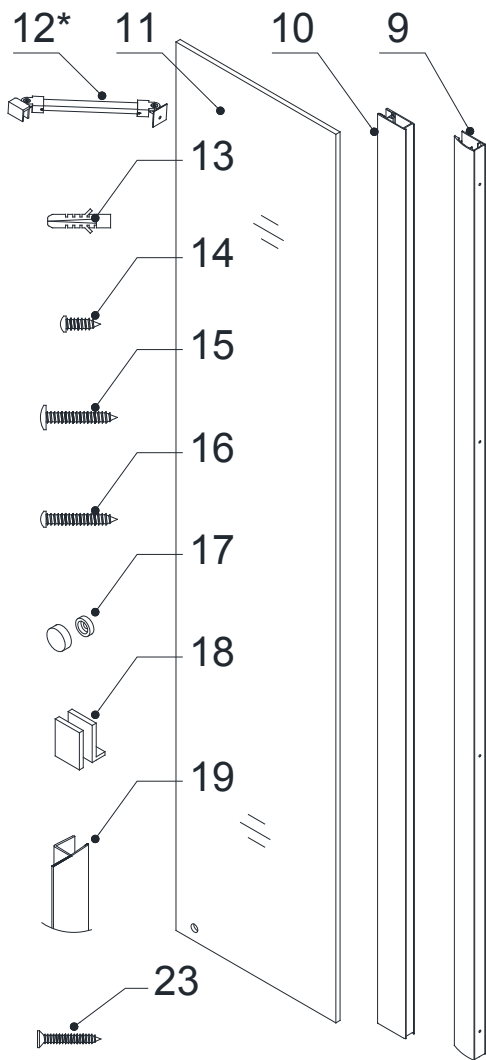


NOTE: Unpack your unit carefully and inspect it. Lay it out and identify all parts using the detailed diagram and packing list in this manual as a reference. Before discarding the carton, check for small hardware bags that may have fallen to the bottom of the box. If any parts are damaged or missing, please contact DreamLine® for replacement. The shipping boxes may contain extra parts not used in your model configuration.

NOTE: Retain these installation instructions for future reference.

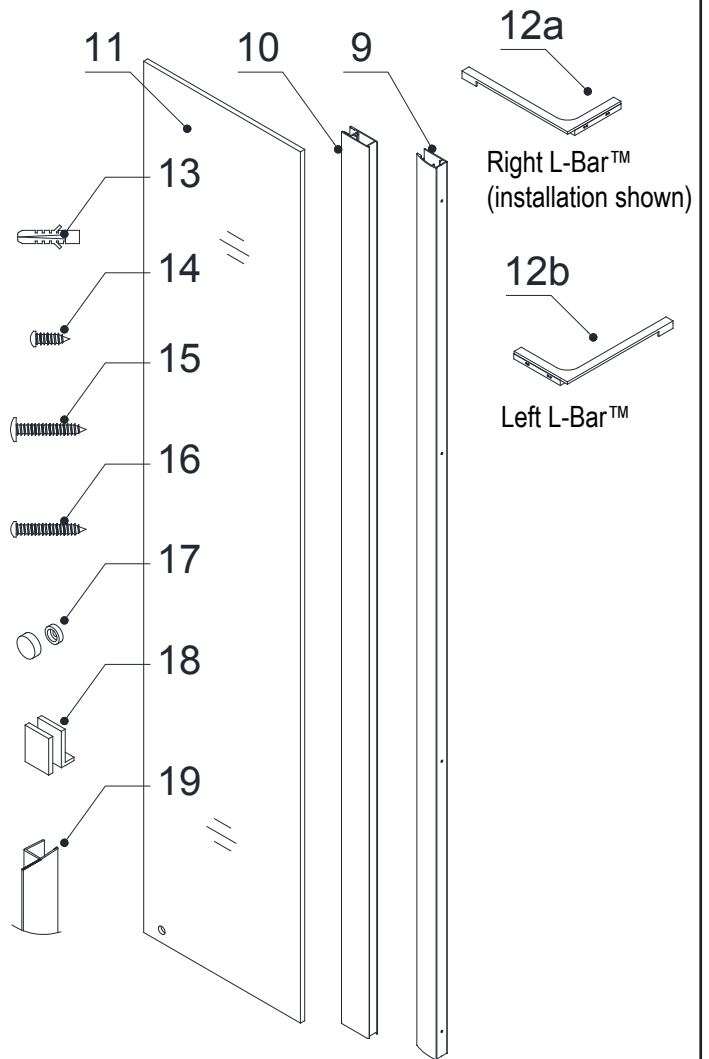
Detailed Diagram of Shower Panel components

Diagram A



*part#12 (Support Bar) not included with 6" inline panel

Diagram B



Right side panel installation shown (using Right L-Bar™)



The glass surface with the ClearMax™ label must be installed to face inside of the shower

Parts List

Diagram A

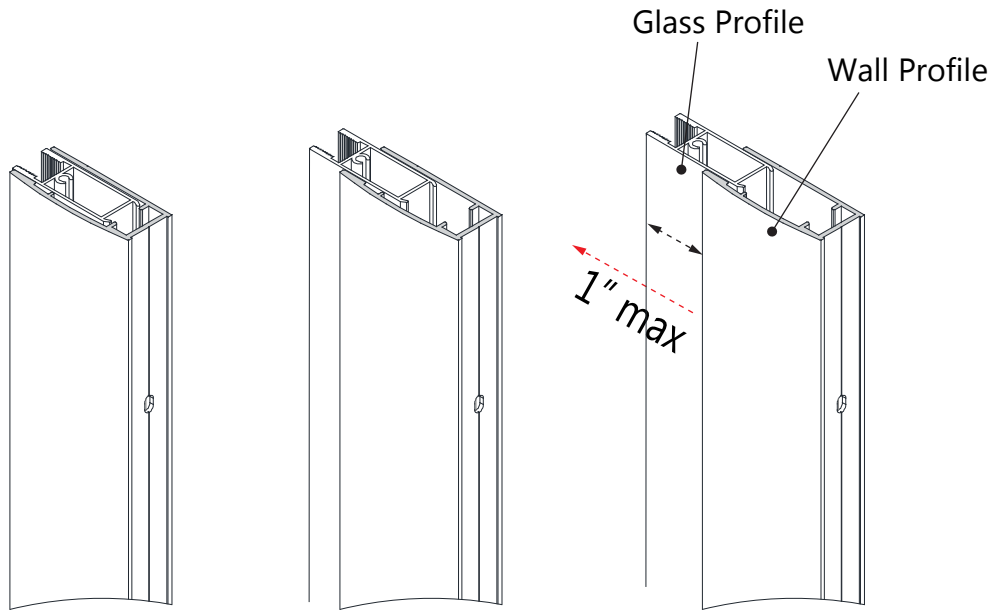
PART#	DESCRIPTION	QTY	PART#	DESCRIPTION	QTY
09	Wall profile	1pc	15	Truss head screw ST4.2x40	4pcs
10	Glass profile	1pc	16	Pan head screw ST4.2x35	1pc
11	Panel glass	1pc	17	Decorative screw cover and washer	4pcs
12*	Support bar *	1pc	18	Bottom bracket	1pc
13	Wall Anchor	4pcs	19	Anti-Water strip (inline)	1pc
14	Pan head screw ST4.2x10	3pcs	23	Countersunk screw ST4.2x40 *	1pc

*part#12 support bar is not included with models that use the 6" inline panel

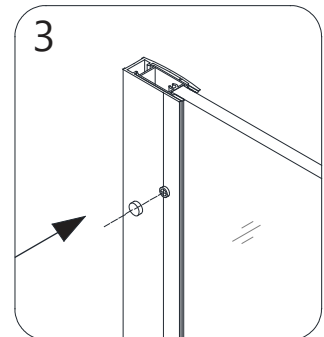
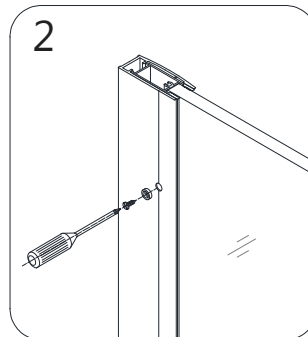
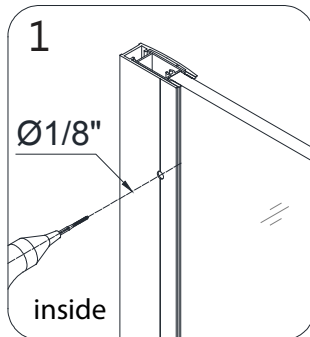
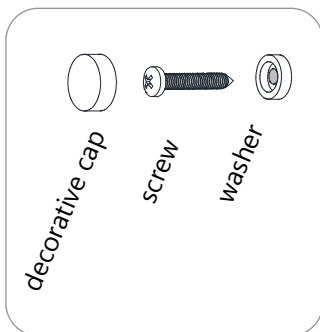
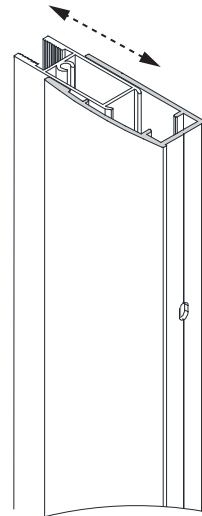
Diagram B

PART#	DESCRIPTION	QTY	PART#	DESCRIPTION	QTY
09	Wall profile	1pc	15	Truss Head screw ST4.2x40	4pcs
10	Glass profile	1pc	16	Round head screw ST4.2x35	1pc
11	Panel Glass	1pc	17	Decorative screw cover amd washer	4pcs
12a/12b	L-Bar™ (Right and Left)	1set	18	Bottom bracket	1pc
13	Wall Anchor	4pcs	19	Anti-Water strip (inline)	1pc
14	Pan head screw ST4.2x10	3pcs			

Adjustable Wall Profile System



The Glass Profiles can be adjusted within the Wall Profiles for overall width or to correct for out-of-plumb conditions within the model size. Screw them together after making final adjustments.

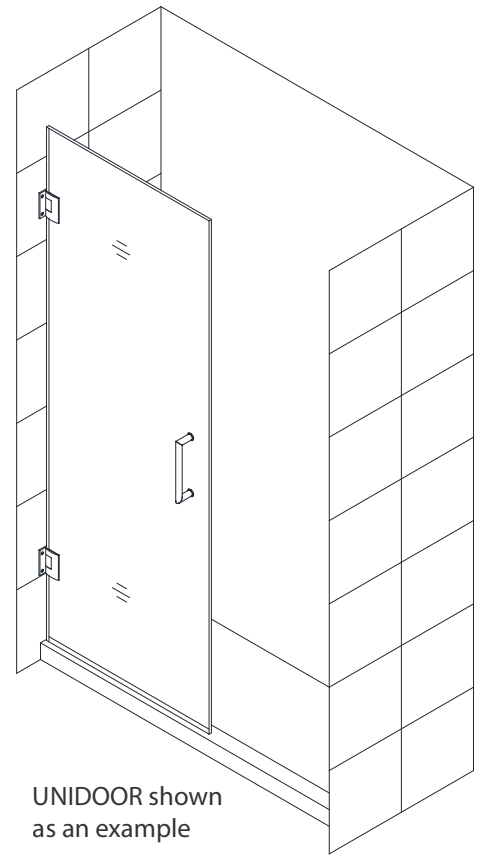


Installation steps

! **NOTE:** The UNIDOOR or ELEGANCE shower door needs to be installed prior to proceeding with the following Panel Glass installation. Please see the Single Shower Door installation manual included in the door packaging for complete shower door installation instructions. Before beginning the installation, recheck the finished opening size. Specific model size information can be found on DreamLine.com.

! **NOTE:** The Unidoor and Elegance hinges are factory set to over close 8°. The following procedure is recommended to ensure proper alignment of the panel glass and door glass.

! **NOTE:** The left-swing Unidoor door installation is shown as an example throughout this manual. Use the same method for aligning the door and panel for the Elegance door and inline panel installation.



1. Align the **Door** so that it is perpendicular to the wall and parallel with the outside of the threshold. Mark a line on the threshold for reference. Open the door to allow space for the panel installation. **(Fig 1)**

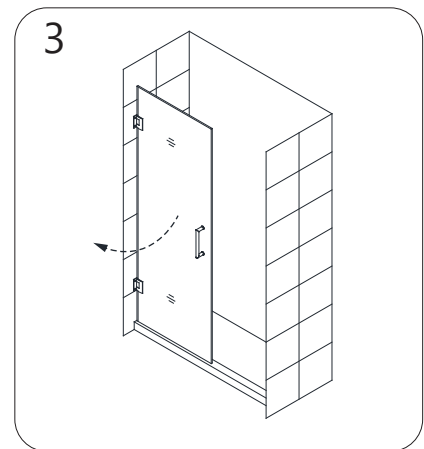
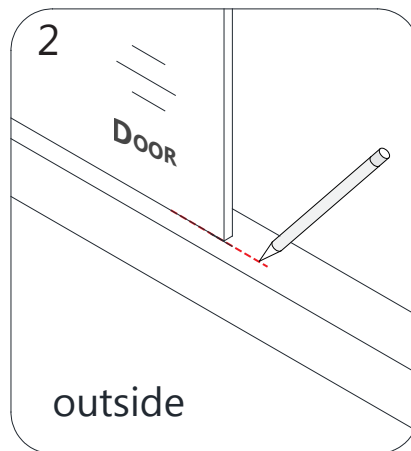
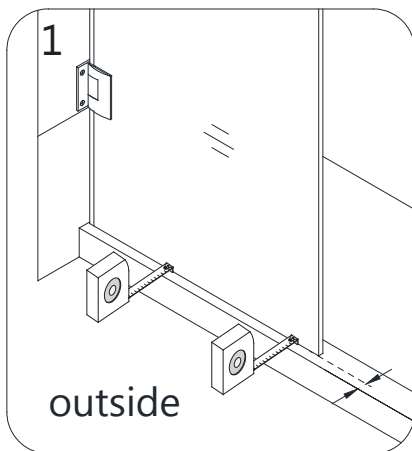


Fig 1

2. Apply clear silicone into the entire length of the channel of the **Glass Profile (#10)** and attach it to the edge of the **Panel Glass (#11)**. Make sure the **Glass Profile (#10)** is flush with the top and bottom of the **Panel Glass (#11)**.

Insert the **Panel Glass (#11)** with the attached **Glass Profile (#10)** into the **Wall Profile (#09)**. (Fig 2)



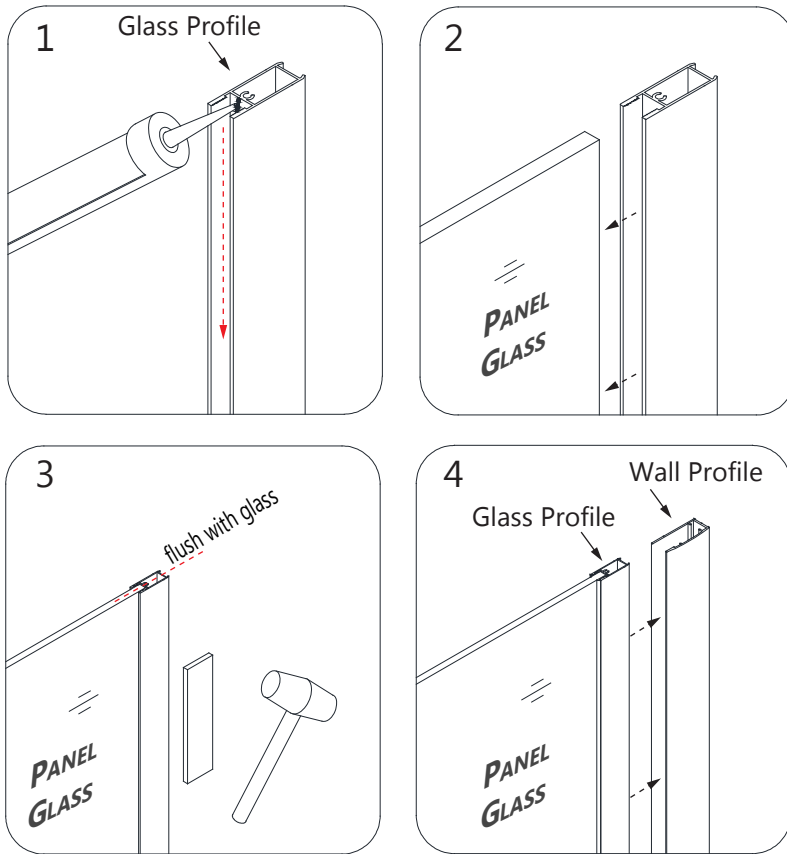
ATTENTION: Please note that the bottom hole in the corner of the Panel Glass must be opposite from the Glass Profile.



NOTE: If the Glass Profile fit is too tight over the Panel Glass, use a rubber mallet and a piece of wood to gently tap on the glass profile. Never use a metal hammer or hit the profile without a wood bumper.

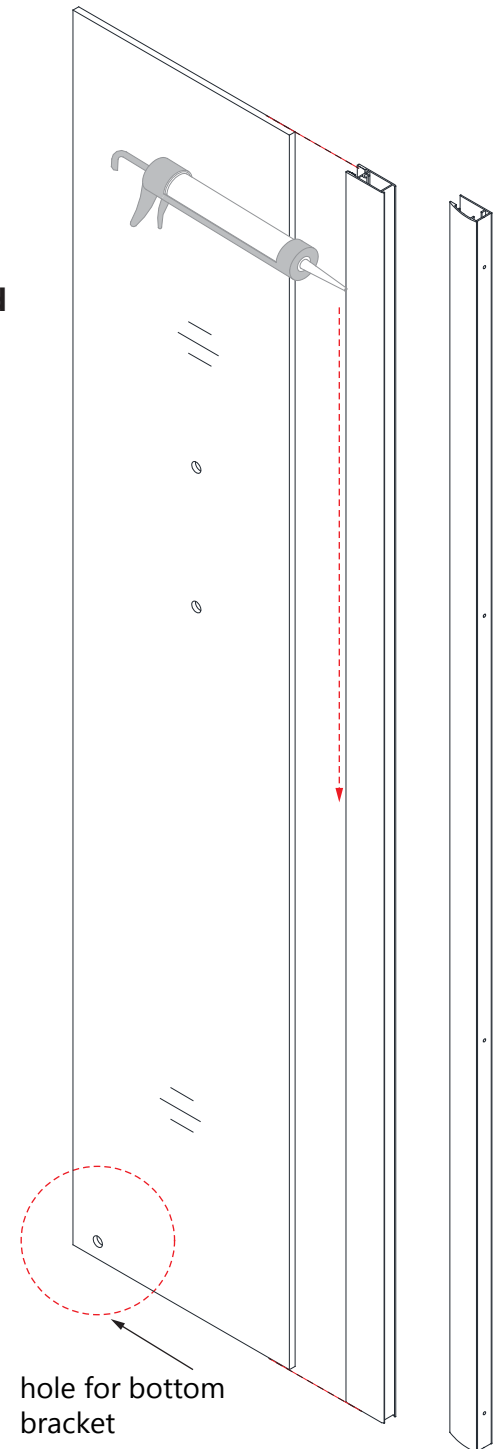


If possible, allow the silicone to cure before handling the assembled panel.



If necessary, use a rubber mallet to tap on the glass profile

Fig 2



3. Press the **Anti-Water Strip (inline) (#19)** onto the vertical edge of the **Panel Glass (#11)**. (This will protect the edge of the panel glass and allow for proper spacing with the door glass). Attach the **Bottom Bracket (#18)** through the bottom hole of the **Panel Glass (#11)**. (**Fig 3**)

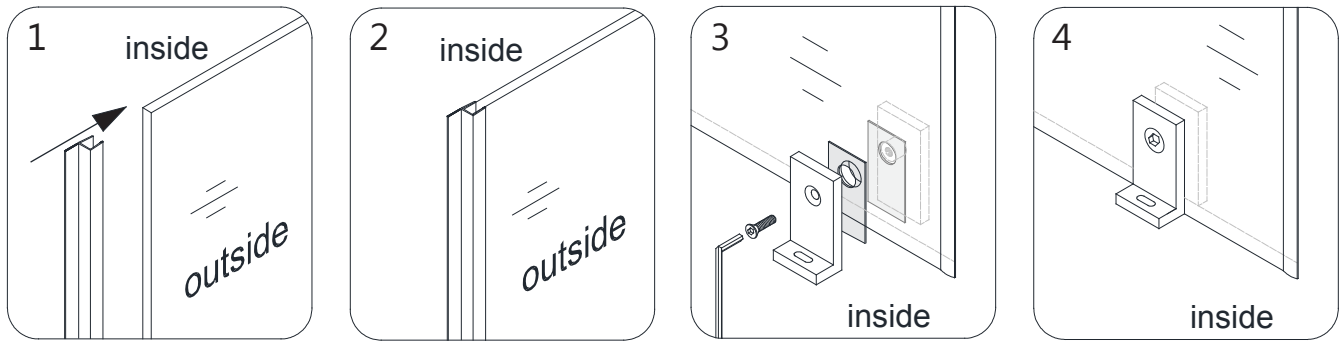


Fig 3

4. Carefully position the **assembled panel** onto the threshold and against the wall. Push the **Wall Profile (#09)** tight to the wall while holding the panel tight to the threshold. (**Fig 4**)



Use Caution not to bang the glass onto the threshold.

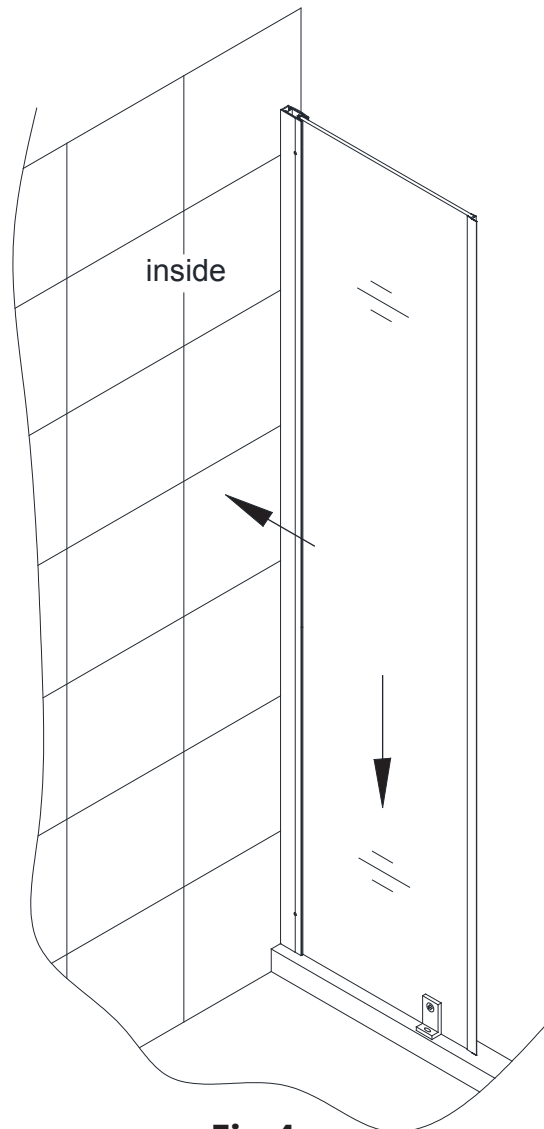


Fig 4

5. Close the **Door** and align the **Panel Glass (#11)** with the **Door**. Use the reference mark on the threshold (from **Step #1**) to confirm that the **Door** is perpendicular to the wall.

If necessary, adjust the position of the **Panel Glass (#11)** so that the **Anti-Water Strip (inline) (#19)** makes contact with the **Door Glass** from top to bottom and creates a seal.

- Mark the wall along the inner edge of the **Wall Profile (#09)**.
- Mark the drilling hole onto the threshold through the hole in the **Bottom Bracket (#18)**. (**Fig 5**)



The two-piece wall profile system (consisting of the glass profiles and wall profiles) will allow for overall width and/or out-of-plumb adjustment within the model size. See page 6 for details.

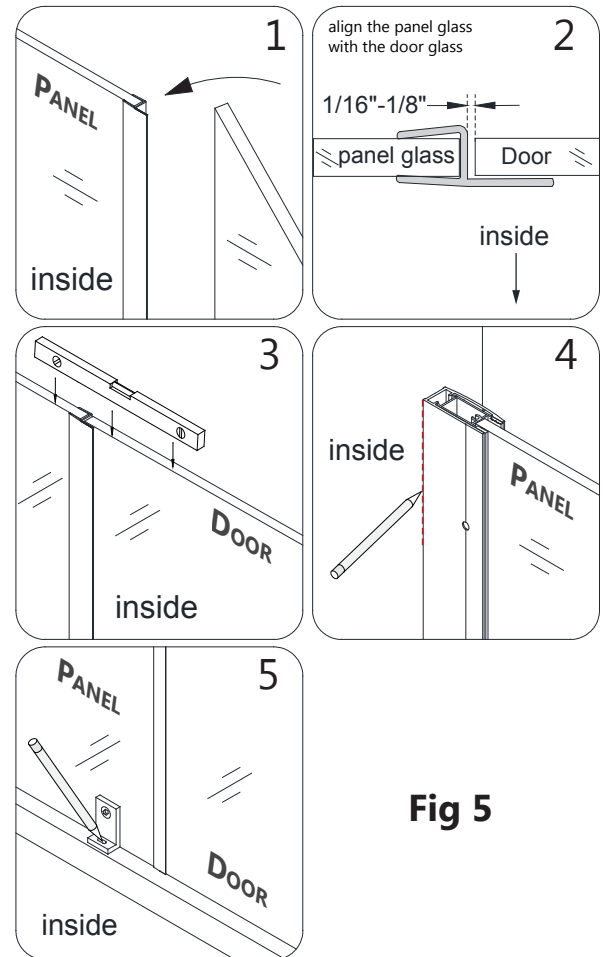
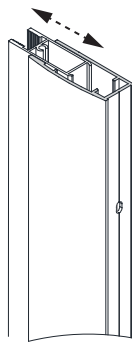


Fig 5

6. Remove the **Wall Profile (#09)** from the **Panel Glass (#11)** and **Glass Profile (#10)** assembly. Place the **Wall Profile (#09)** back onto the outlined position on the wall and mark the holes for drilling through the predrilled holes in the **Wall Profile (#09)**.

Drill the holes in the wall using a **Ø5/16"** drill bit and insert the **Wall Anchors (#13)**.

Apply silicone along the back of the **Wall Profile (#09)** and around the holes on the wall.

Fasten the **Wall Profile (#09)** to the wall with the **Truss Head Screw ST4.2×40 (#15)**. (**Fig 6**)



Use Caution not to pull the Glass Profile (#10) off of the Panel Glass (#11).

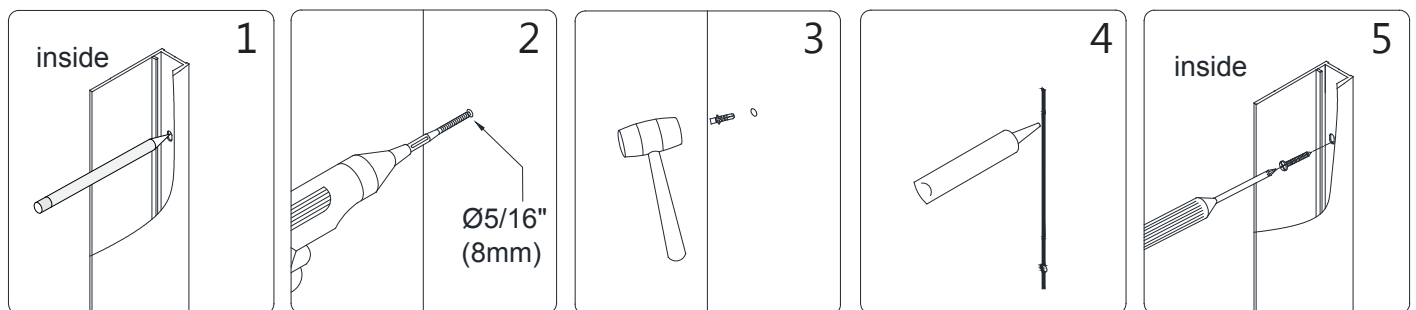


Fig 6



Double check the alignment and spacing of the panel glass with the door glass before drilling into the threshold for the bottom bracket.

7. Drill a hole for the **Bottom Bracket (#18)** into the threshold at the mark that was made in Step #5.
 ** Use an **Ø1/8"** drill bit for installation into an acrylic base OR use a **Ø5/16"** drill bit and an anchor for installation into a tile threshold. Use the **Pan Head Screw ST4.2x35 (#16)** along with a raised white washer to attach the **Bottom Bracket (#18)** to the threshold and snap on the **Decorative Screw Cover (#17)**. (Fig 7a and Fig 7b)

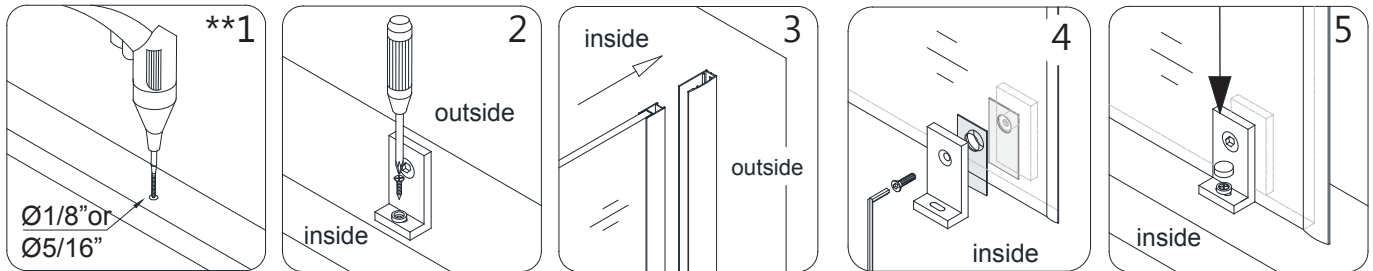
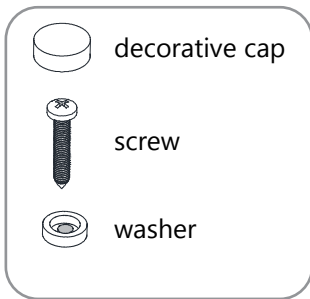


Fig 7a



***NOTE:**

▪ For installation into an **Acrylic Threshold:**
 drill a **Ø1/8" (3mm)** hole and use the **Pan Head Screw ST4.2 x 35mm (#16)**

OR

▪ For installation into a **Tile Threshold:**
 drill a **Ø5/16" (8mm)** hole, install a **Wall Anchor 5/16" (#13)** and use the **Pan Head Screw ST4.2 x 35mm (#16)**

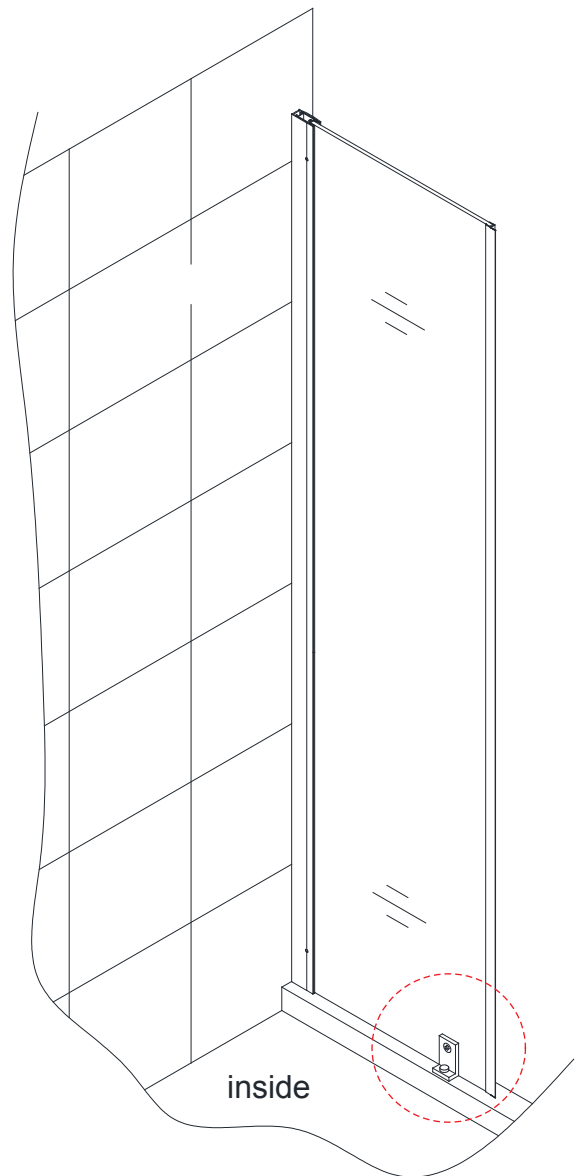


Fig 7b

8. Recheck the alignment and spacing of the **Door Glass** and **Panel Glass (#11)** and test the operation of the Door. After final adjustments of the **Panel Glass (#11)** drill holes into the **Glass Profile (#10)** through the predrilled holes in the **Wall Profile (#09)** using an $\text{Ø}1/8''$ drill bit. Use the **Pan Head Screws ST4.2×10 (#14)** and **Washers (#17)** to attach the **Wall Profile (#09)** to the **Glass Profile (#10)**. Cover the exposed screw heads with **Decorative Screw Cover (#17)**. (Fig 8)

! **NOTE:** Only drill through the first layer of the Glass Profile.

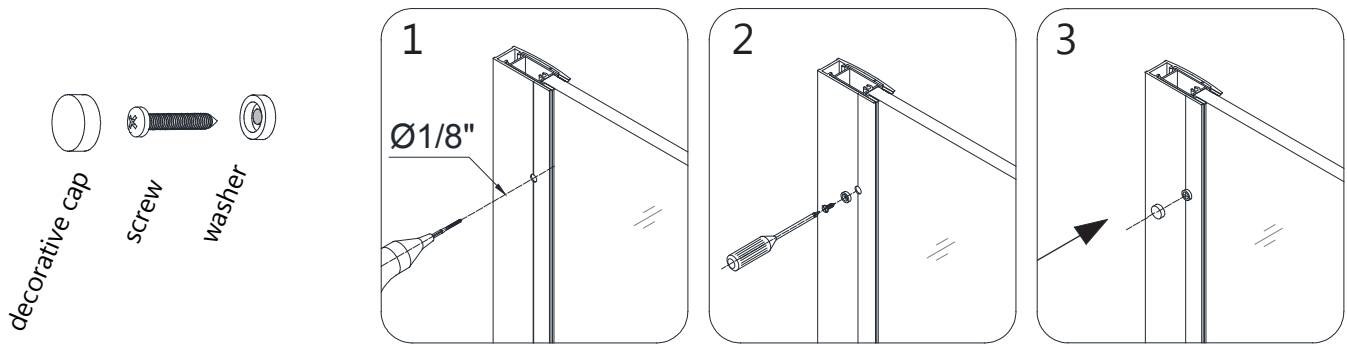


Fig 8

9. Apply a good quality mildew-resistant silicone along the connection of the **Wall Profile (#09)** to the wall and the panel glass to the threshold. (Fig 9a)

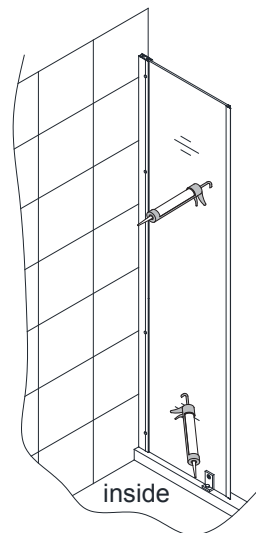


Fig 9a

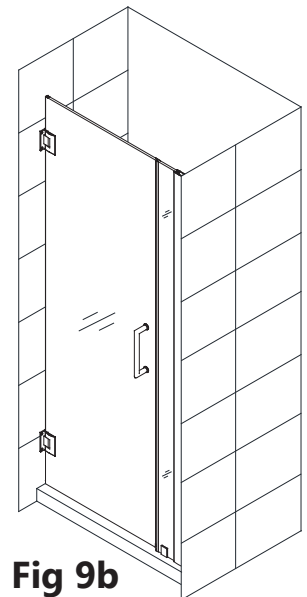


Fig 9b
Unidoor Style B
w/6" panel shown

! If installing a model with a 6" stationary panel, no additional support is required and the installation is complete. (Fig 9b)

! If the Stationary Panel width is larger than 6" proceed to:
•Step#11 for the Support Bar installation
or
•Step#12 for the L-Bar™ installation.

The installation is not complete until the required Support Bar or L-Bar™ has been installed

Support Bar Assembly and Installation

10. Attach the **Support Bar (#12)** to the Panel Glass as shown.

- Adjust the **Support Bar (#12)** to a proper position on the glass and the wall (ideally at a 45° angle) and level it.
- Outline the Wall Bracket's position on the wall [Fig 10.2](#).
- Remove the Wall Bracket from the **Support Bar (#12)**.
- Place the Wall Bracket against its outlined position on the wall and mark the hole for drilling.
- Drill the hole using a **Ø5/16"** drill bit, insert the **Wall Anchor (#13)** and fasten the Wall Bracket to the wall with the **Countersunk Screw ST4.2×40 (#23)**.
- Attach the **Support Bar (#12)** to the Wall Bracket as shown on [Fig 10.7](#) and tighten the set screws and the glass holding screw to secure the glass. (**Fig 10**)

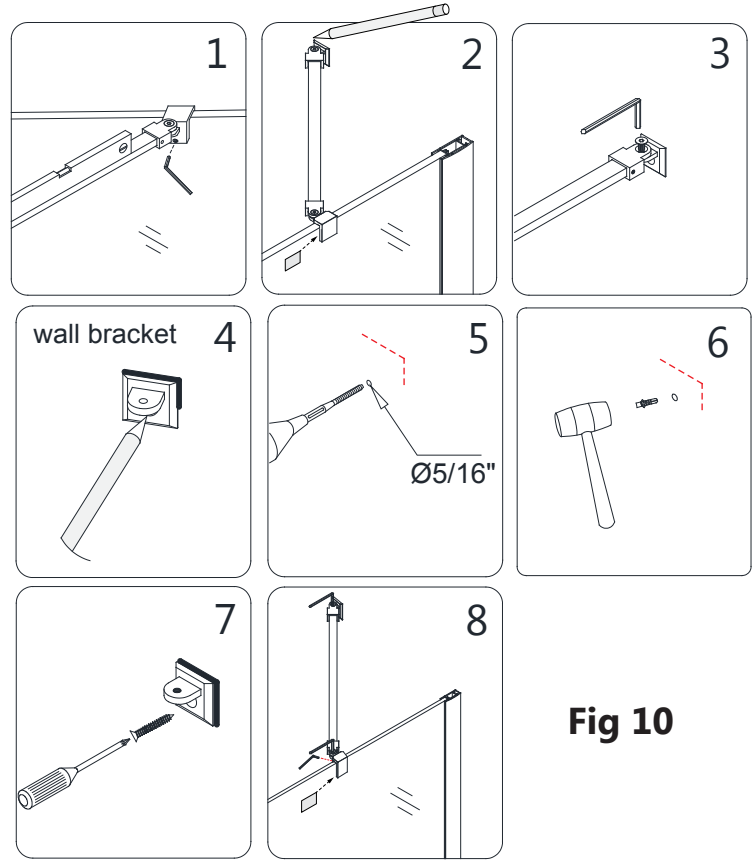
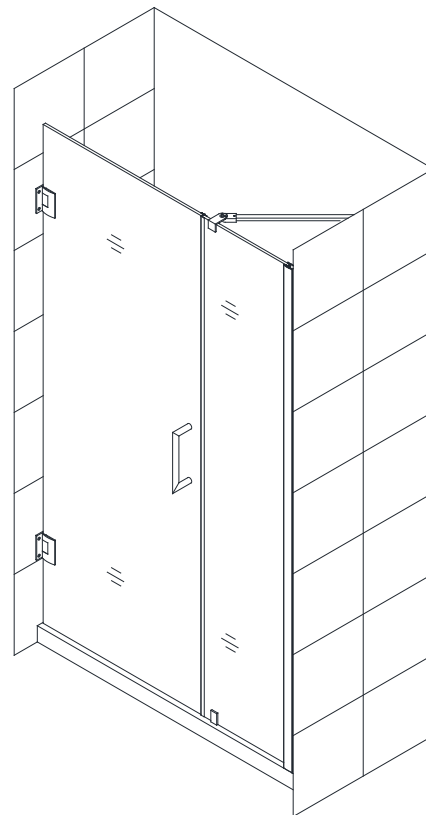


Fig 10



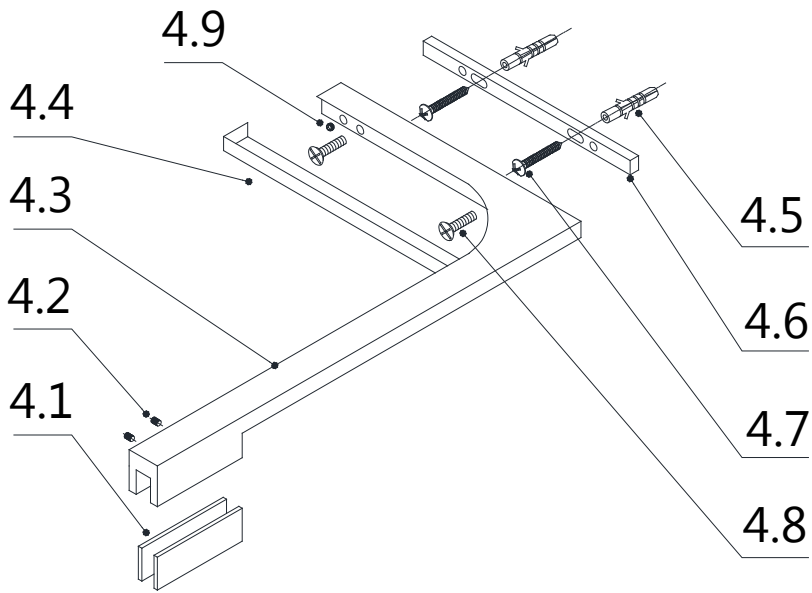
NOTE: Make sure that the rubber gasket and/or the rubber tipped set screw are in place when securing the Support Bar to the glass to prevent glass to metal contact.

**Unidoor Style B
with Support Bar**

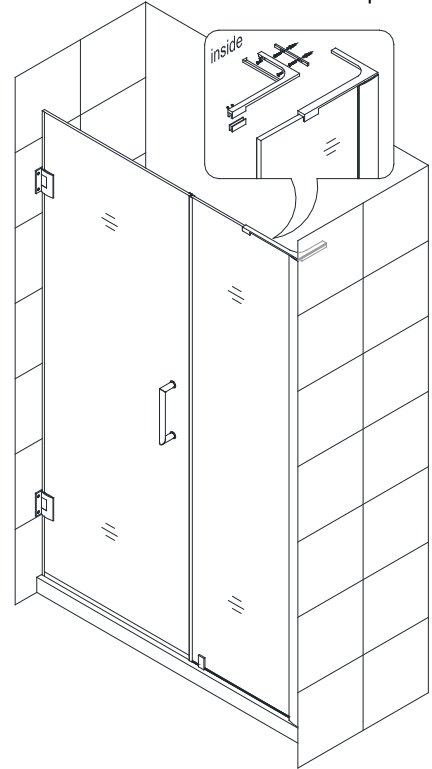


L-Bar™ Parts List Assembly

(Right L-Bar™ shown)



Right L-Bar™ installation shown as an example



Unidoor-LS -Style B

PART#	DESCRIPTION	QTY	PART#	DESCRIPTION	QTY
4.1	PVC spacer	2pcs	4.6	Wall Plate	1pc
4.2	M5 rubber tip set screw	2pcs	4.7	Truss Head Screw ST4.2x40	2pcs
4.3	L-Bar™(Right-hand shown)	1pc	4.8	Flat Head Screw M5x14	2pcs
4.4	Decorative cover	1set	4.9	Wall Plate adjustment set screw	2pcs
4.5	Ø5/16" Wall Anchor	2pcs			

11. Position the **L-Bar™ assembly (#4.3)** onto the **Panel Glass** as shown (**Fig 11.1**). Be sure the gaskets are in place to protect the glass. Make it level and mark the position on the wall. Remove the **Decorative Cover (#4.4)** and **Wall Plate (#4.6)** from the **L-Bar™**. Position the **Wall Plate (#4.6)** on the marks on the wall and adjust for level. Mark the holes for drilling through the wider, untapped holes (**Fig 11.3**). Drill two **Ø5/16" (8mm)** holes and insert the **Ø5/16" Wall Anchors (#4.5)**. (**Fig 11**)



NOTE: When marking the **L-Bar™** location on the wall, leave the **Decorative Cover** attached to allow space to re-attach the **Decorative Cover** after installation.

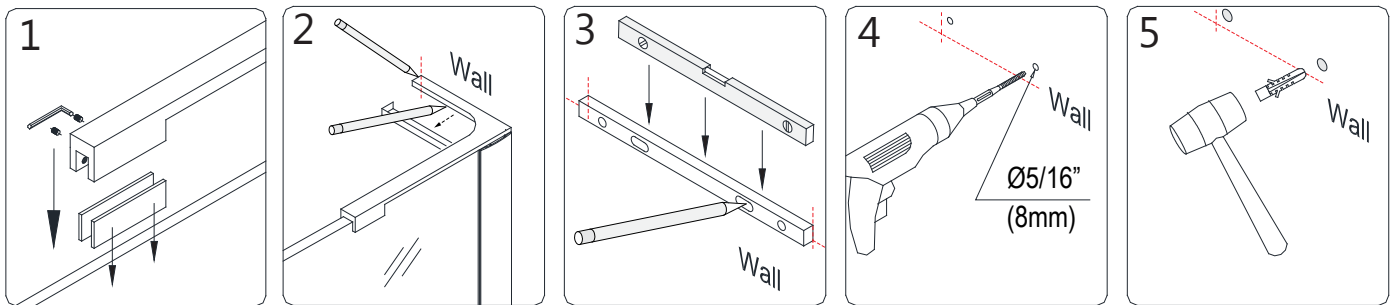


Fig 11

12. Attach the **Wall Plate (#4.6)** to the wall using the **ST4.2 x 40 Truss Head Screws (#4.7)**. Re-attach the **L-Bar™ (#4.3)** to the **Wall Plate (#4.6)** using the **Flat Head Screw M5x14 (#4.8)**. Adjust the angle of the **L-Bar™** if necessary by using the **Wall Plate Adjustment Set Screws (#4.9)**. (**Fig 12**)

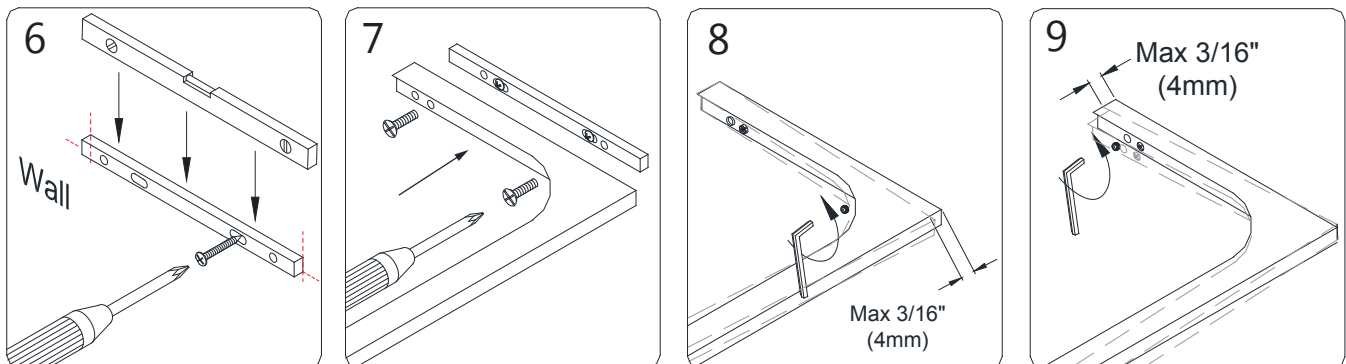


Fig 12

13. Adjust the **Stationary Panel Glass** to plumb if necessary and tighten the screws. Attach the **Decorative Cover (#4.4)** to the **L-Bar™ (#4.3)**. Firmly secure the **L-Bar™ (#4.3)** to the top of the **Panel Glass** using the clear gasket and rubber-tipped set screws. **(Fig 13)**

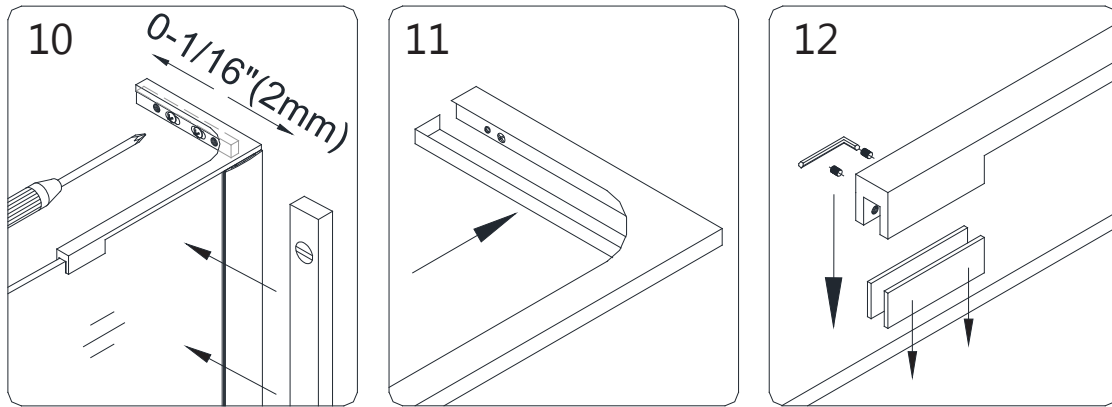


Fig 13

14. Apply a good quality mildew-resistant silicone along the connection of the **Wall Profile** to the wall and the **Panel Glass** to the threshold. **(Fig 14)**



Allow 24 hours for the silicone to fully cure before using the shower.

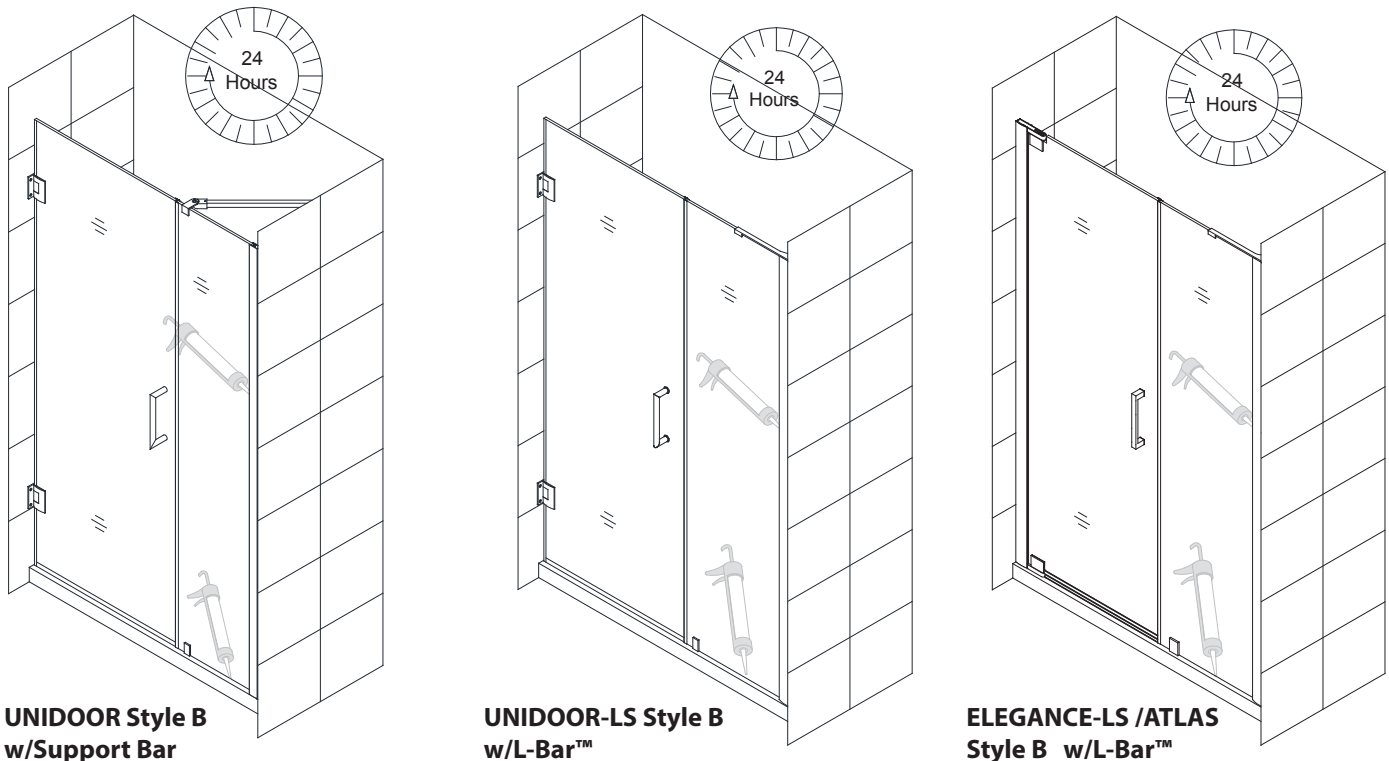


Fig 14

Product Maintenance

BASES and BACKWALLS: To ensure long-lasting life for your acrylic back walls, wipe them off after each use with a soft cloth. To clean the acrylic back walls use non-abrasive sprays or cream based cleaners. Avoid the use of aerosol spray cleaners. Never use abrasive cleansers, metal brushes or scrapers that could scratch or dull the surface.

GLASS: To ensure long-lasting life for your glass shower products, wipe them off after each use with a soft cloth. Rinse and wipe off the glass using either a soft cloth or a squeegee to prevent soap buildup and water spots (Hard water can etch the surface of the glass over time if left to dry). To prevent scratching the surface: never use abrasive cleaners or cleaning products that contain scouring agents. Never use bristle brushes or abrasive sponges that may scratch the surface.

HARDWARE: To ensure a long-lasting finish, wipe off the metal parts after each use with a soft cloth. Do not use abrasive cleaners or cleaning products containing ammonia, bleach or acid. If accidentally used, rinse the surface as soon as possible to prevent damage to the finish (peeling or corrosion). After cleaning the polished finishes, rinse thoroughly and wipe dry with a soft cloth.

Clean stainless steel surfaces at least once a week. When applying stainless steel cleaner or polish to stainless steel hardware, work with (not across) the grain. Never use an abrasive sponge or cloth, steel wool or wired brush as these may permanently scratch the surfaces.

NOTE: To maximize the life of your door, it is important to regularly inspect the glass and all hardware for misalignment, proper attachment, and/or damage. Contact DreamLine® with any questions or concerns.

DreamLine® shower doors and enclosures are designed not to leak when installed properly and the flow of water is not pointed directly at the hinges or vinyl seals.



TEL: 866-731-2244
FAX: 866-857-3638
DREAMLINE.COM

For more information on DreamLine[®] Shower Doors and Enclosures please visit **DreamLine.com**