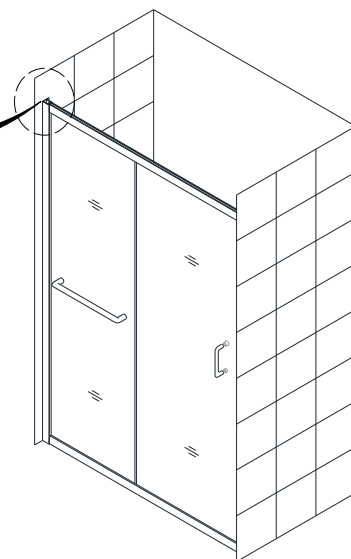
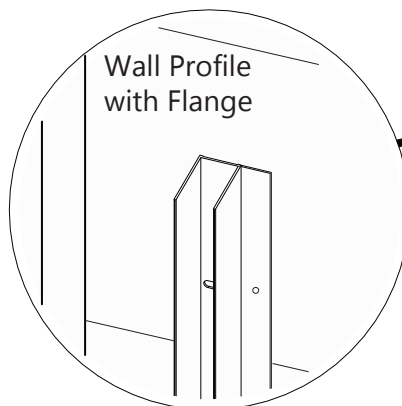
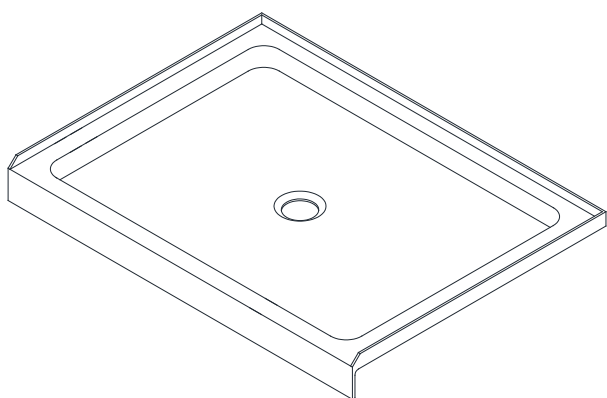
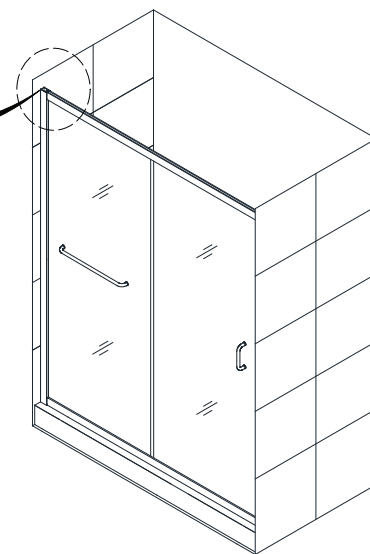
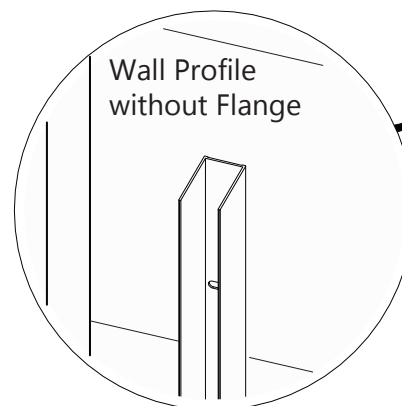


INFINITY-Z

SHOWER DOOR & BASE INSTALLATION INSTRUCTIONS



OR



STEP 1: Shower Base Installation Instructions

STEP 2: Shower Door Installation Instructions

! **CHOOSE the APPROPRIATE MANUAL for your model version**

Wall Profile WITH Flange:
INFINITY-Z Manual Ver 4 Rev 5 062017

OR

Wall Profile WITHOUT Flange:
INFINITY-Z Manual Ver 5 Rev 2 012020



Questions?

Please Call **DreamLine** Customer Support: **1-866-731-2244**
Hours of Operation M-F 8AM - 6PM EST

Support@DreamLine.com



For more information about DreamLine[®] products please visit DreamLine.com

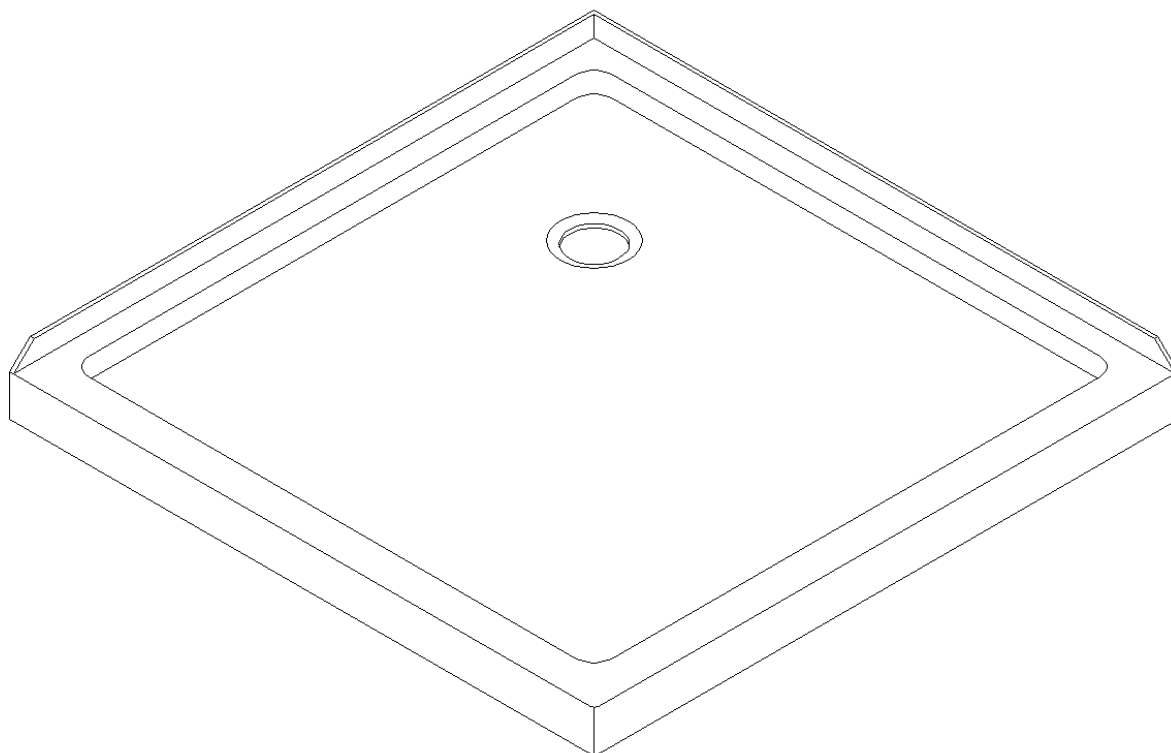


SLIMLINE SHOWER BASE

SHOWER BASE DIMENSIONS AND INSTALLATION INSTRUCTIONS

IMPORTANT

DreamLine® reserves the right to alter, modify or redesign products at any time without prior notice for the purpose of product improvement and customer experience. Please refer to the model's web page on **DreamLine.com** for the latest technical drawings, installation manuals, warranty information or additional product details.



Double Threshold Shower Base with Corner Drain Configuration shown as an example

- Color options:**
--- - White
-22- Biscuit
-88- Black

Please review this entire manual before beginning installation



Questions?

Please Call **DreamLine** Customer Support: **1-855-831-2126**
Hours of Operation M-F 8AM - 7PM EST and Saturday 9AM - 5PM EST

Support@DreamLine.com



For more information about DreamLine® products please visit DreamLine.com

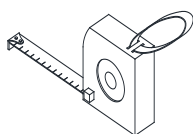
Preparation

1. Prior to installation, examine all boxes and packages for shipping damage and compare the piece count with your packing slip. After opening all boxes and packages read this introduction carefully. Check that all of the parts are included in the package by checking off the components on the parts list. If the unit has been damaged, has a finishing defect, or has missing parts, please contact our customer support department within **3 business days** of the delivery date. Please note that **DreamLine® will not replace any damaged products or missing parts free of charge after 3 business days or if the product has been installed.** Please contact DreamLine® if with any questions and please provide an order number, job name or other proof of purchase to help identify the original order.
2. Install all of the required plumbing and drainage before installing the shower base. **Use a competent and licensed (if required by local code) plumber for all plumbing installation.**
3. **Shower bases must be installed by a licensed plumber. Please note that you should consult your local building codes with questions on installation compliance standards. Building and plumbing codes may vary by location and DreamLine® is not responsible for code compliance standards for your project.**
4. Make sure that prior to the installation the installation surface is leveled and solid and will be able to support the total weight of the unit. Also make sure the walls are at right angles. While some adjustment in leveling of the tray is possible, irregular installation surface level or improper angle of side walls will result in serious problems for your installation. Please note that some adjustments may be necessary during the installation process.
5. **Center drain configurations are centered on the width only. See technical drawing tables for drain locations.**
6. **Drain not included with this product.** The drain opening is 3-3/8" in diameter and **accepts a standard 2" compression fitted drain.**

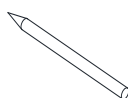
IMPORTANT NOTE:

Dimensions provided are for reference only. Measure the actual shower tray before installation. This includes overall dimensions and drain location. Allowed tolerance for center of the drain is +/-1/2".

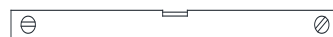
Tools Required



Tape
Measure



Pencil



Level

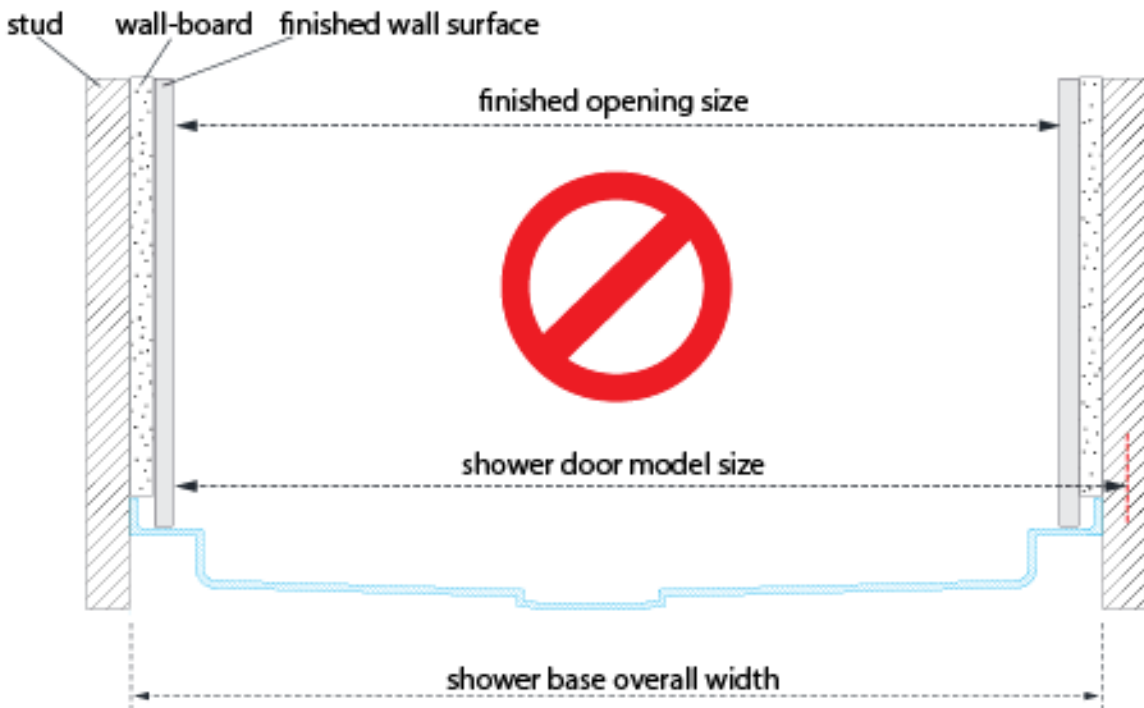
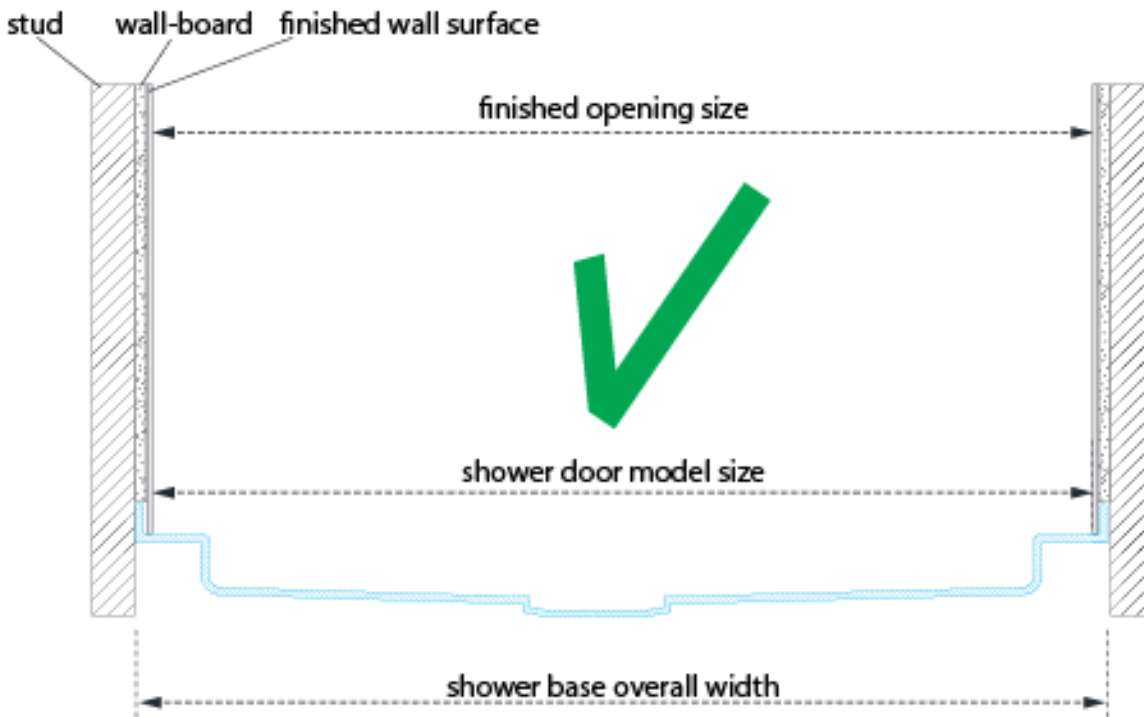


Mortar



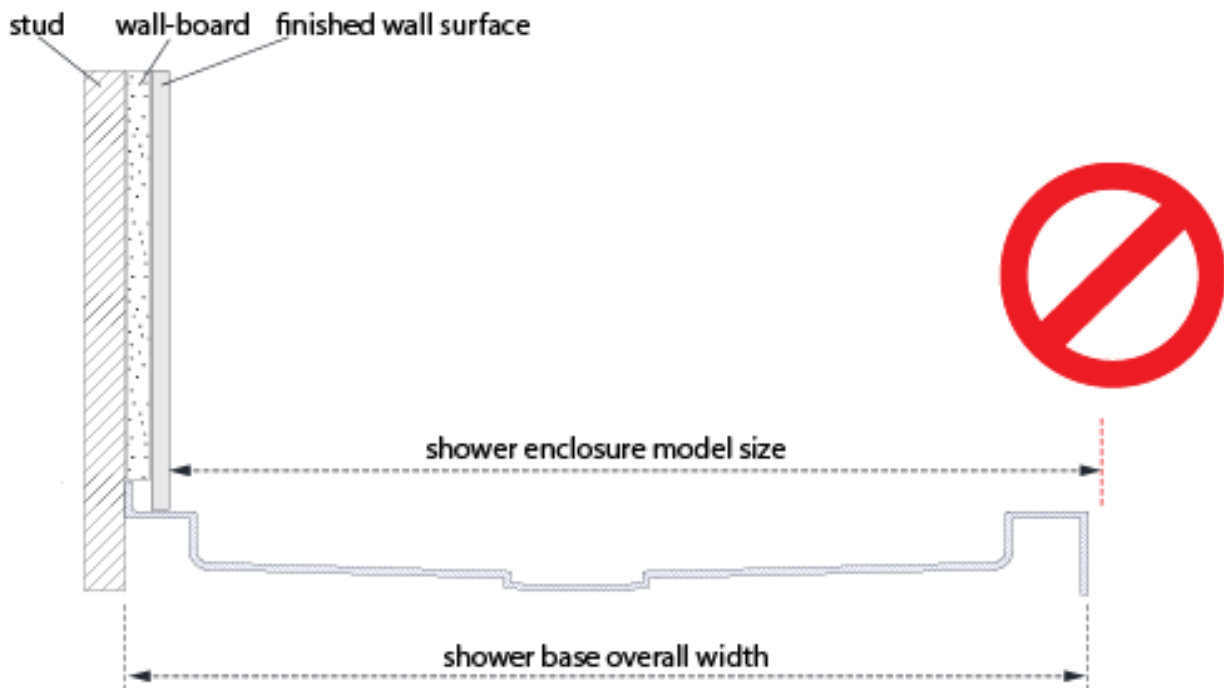
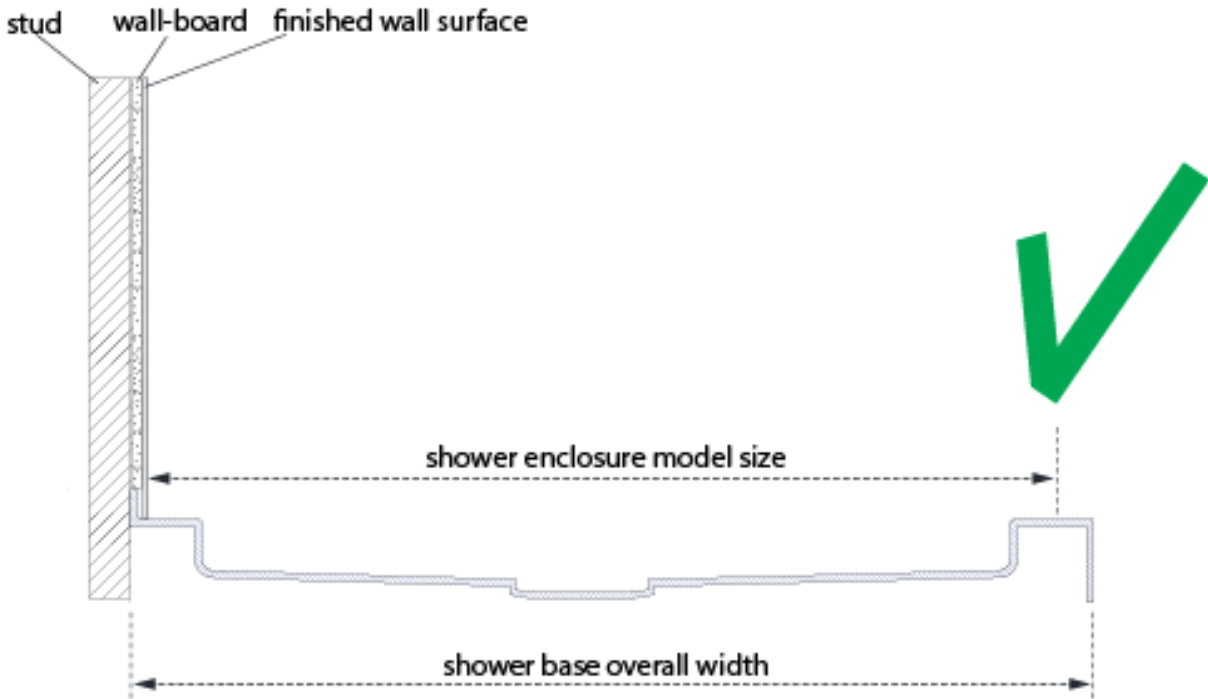
When constructing or installing a shower base, consider how **the thickness of the wall treatment (wallboard, tile, etc.) will affect the finished opening size for the shower door.**

Compare the overall dimensions of the shower door model with the finished opening size before proceeding with the installation.



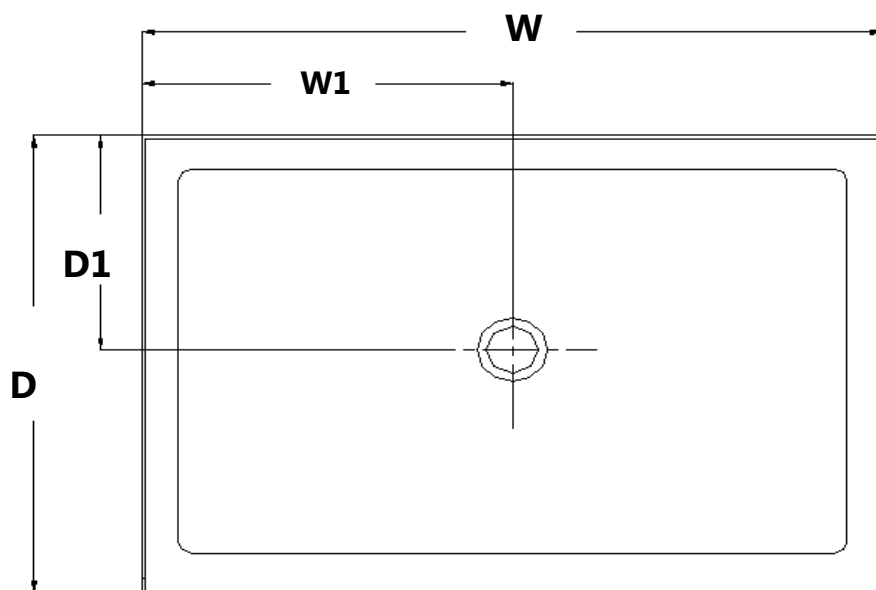
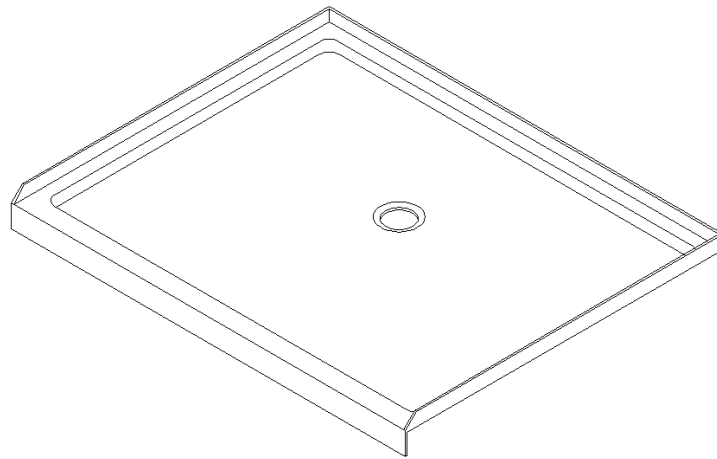


When constructing or installing a shower base, consider how **the thickness of the wall treatment (wallboard, tile, etc.) will affect where the shower enclosure will sit on the threshold.** Compare the overall outside dimensions of the shower enclosure model size with the finished threshold before proceeding with the installation.



SINGLE THRESHOLD SHOWER BASE

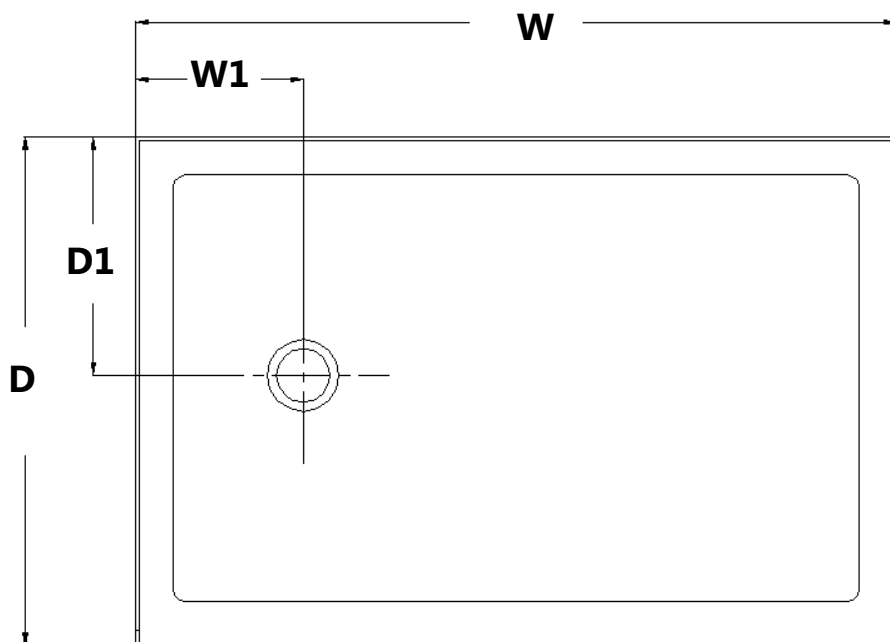
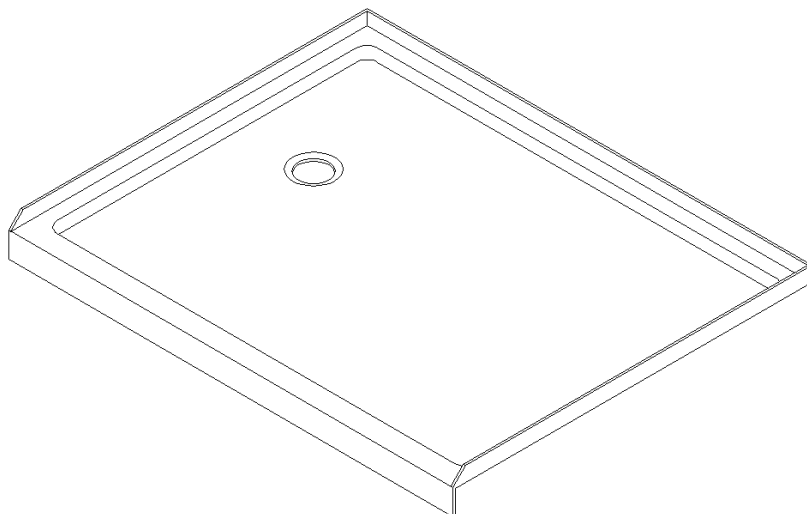
Center Drain Configuration



| MODEL | SPECIFICATION | D (in) | W (in) | D1 (in) | W1 (in) |
|-------------|---------------|--------|--------|---------|---------|
| DLT-1132320 | 32" x 32" | 32" | 32" | 15" | 16" |
| DLT-1136360 | 36" x 36" | 36" | 36" | 15" | 18" |
| DLT-1132420 | 32" x 42" | 32" | 42" | 15" | 21" |
| DLT-1134420 | 34" x 42" | 34" | 42" | 15" | 21" |
| DLT-1136420 | 36" x 42" | 36" | 42" | 15" | 21" |
| DLT-1142420 | 42" x 42" | 42" | 42" | 20" | 21" |
| DLT-1132480 | 32" x 48" | 32" | 48" | 15" | 24" |
| DLT-1134480 | 34" x 48" | 34" | 48" | 15" | 24" |
| DLT-1136480 | 36" x 48" | 36" | 48" | 15" | 24" |
| DLT-1132540 | 32" x 54" | 32" | 54" | 15" | 27" |
| DLT-1134540 | 34" x 54" | 34" | 54" | 15" | 27" |
| DLT-1136540 | 36" x 54" | 36" | 54" | 15" | 27" |
| DLT-1130600 | 30" x 60" | 30" | 60" | 15" | 30" |
| DLT-1132600 | 32" x 60" | 32" | 60" | 15" | 30" |
| DLT-1134600 | 34" x 60" | 34" | 60" | 15" | 30" |
| DLT-1136600 | 36" x 60" | 36" | 60" | 15" | 30" |

SINGLE THRESHOLD SHOWER BASE

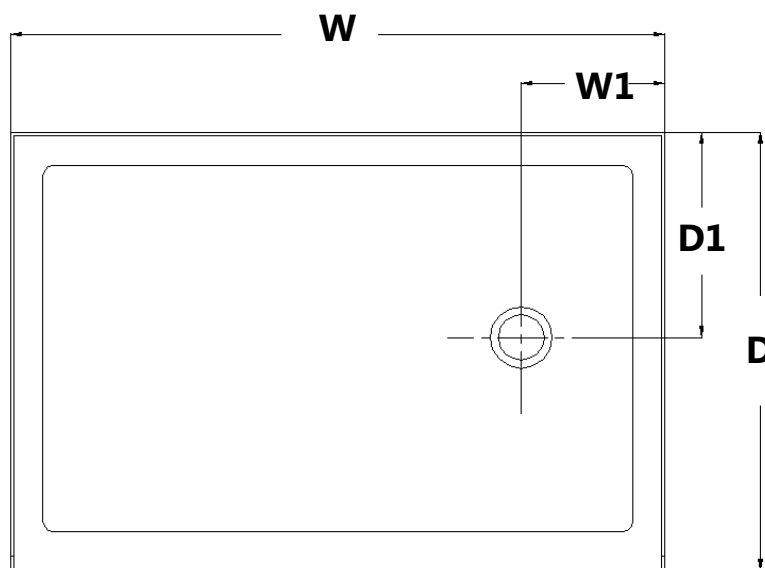
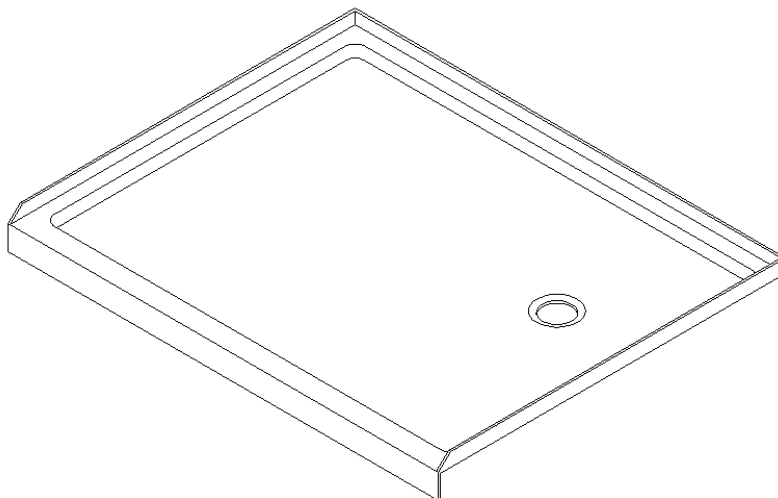
Left-Hand Drain Configuration



| MODEL | SPECIFICATION | D (in) | W (in) | D1 (in) | W1 (in) |
|-------------|---------------|--------|--------|---------|---------|
| DLT-1130601 | 30"×60" | 30" | 60" | 15" | 12" |
| DLT-1132601 | 32"×60" | 32" | 60" | 15" | 12" |
| DLT-1134601 | 34"×60" | 34" | 60" | 17" | 12" |
| DLT-1136601 | 36"×60" | 36" | 60" | 18" | 12" |

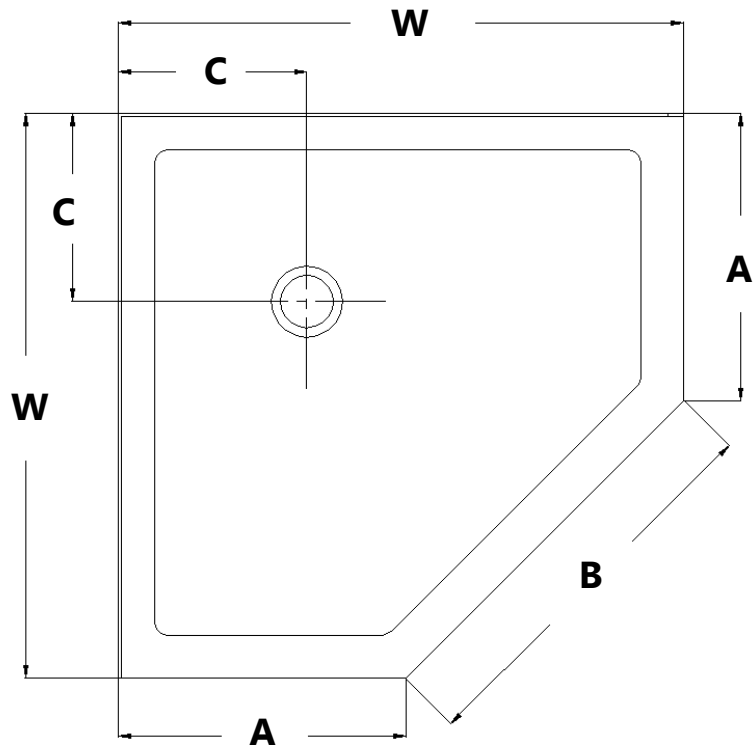
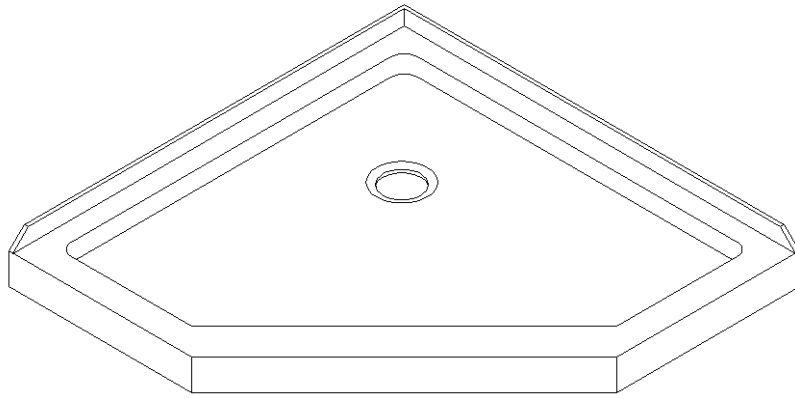
SINGLE THRESHOLD SHOWER BASE

Right-Hand Drain Configuration



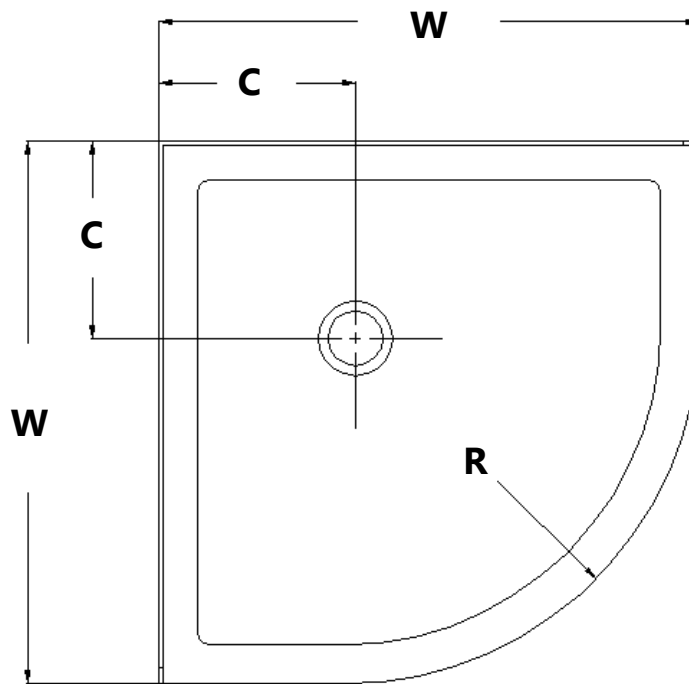
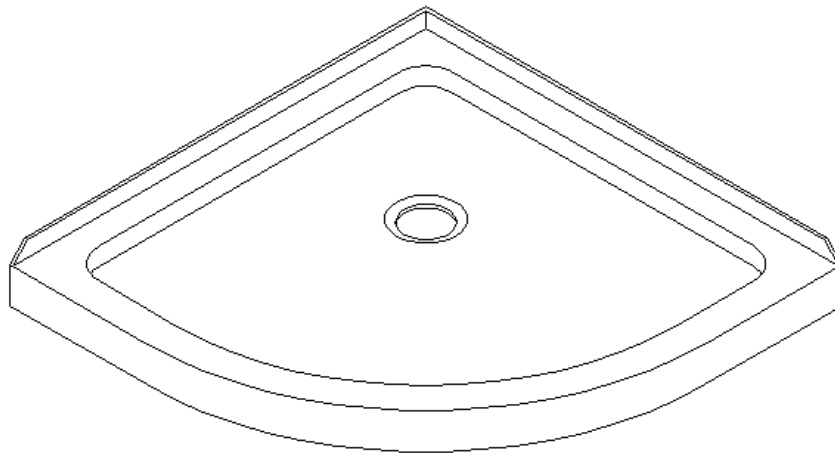
| MODEL | SPECIFICATION | D (in) | W (in) | D1 (in) | W1 (in) |
|-------------|---------------|--------|--------|---------|---------|
| DLT-1130602 | 30"×60" | 30" | 60" | 15" | 12" |
| DLT-1132602 | 32"×60" | 32" | 60" | 15" | 12" |
| DLT-1134602 | 34"×60" | 34" | 60" | 17" | 12" |
| DLT-1136602 | 36"×60" | 36" | 60" | 18" | 12" |

NEO ANGLE SHOWER BASE



| MODEL | SPECIFICATION | W (in) | A (in) | B (in) | C (in) |
|-------------|---------------|--------|----------|--------|---------|
| DLT-2036360 | 36"×36" | 36" | 18 5/16" | 25" | 12" |
| DLT-2038380 | 38"×38" | 38" | 20 5/16" | 25" | 12" |
| DLT-2040400 | 40"×40" | 40" | 22 5/16" | 25" | 14 3/8" |
| DLT-2042420 | 42"×42" | 42" | 24 5/16" | 25" | 14 3/8" |

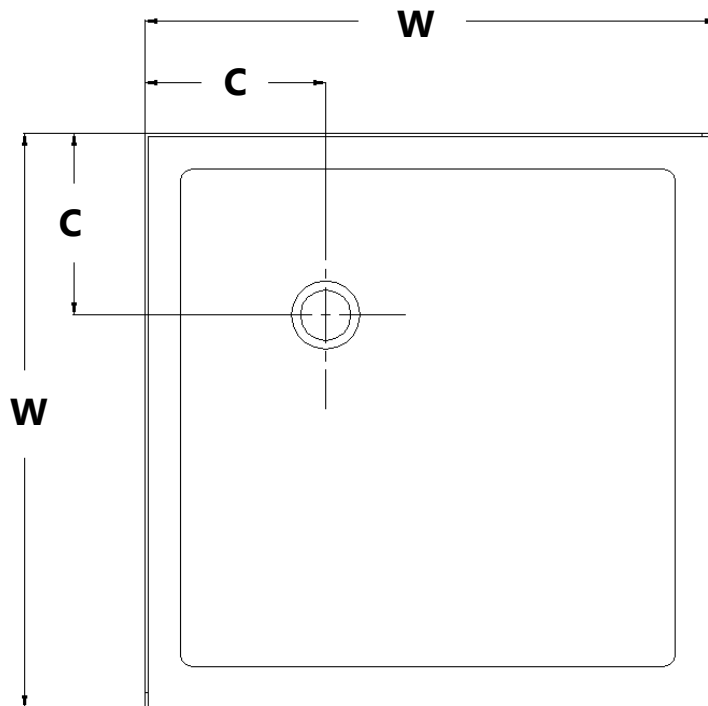
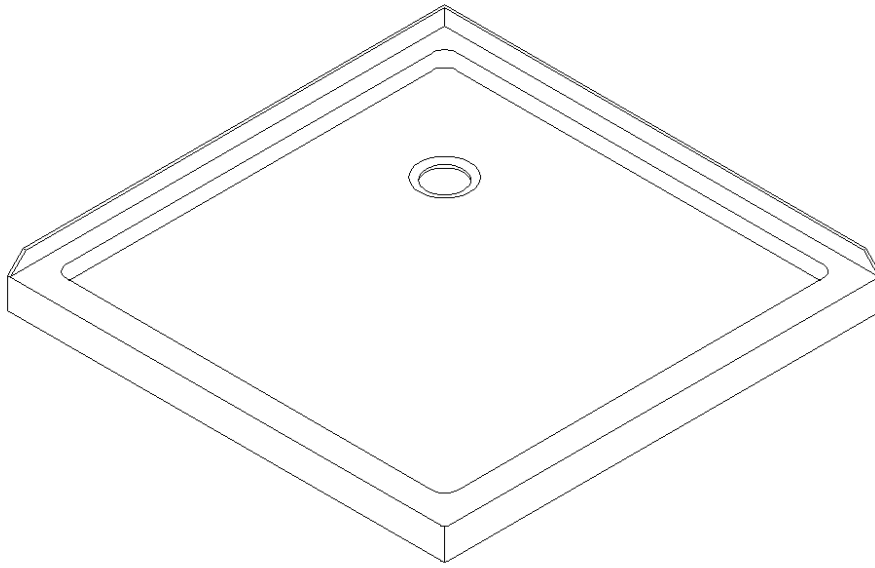
QUARTER ROUND SHOWER BASE



| MODEL | SPECIFICATION | W (in) | C (in) | R (in) |
|-------------|---------------|--------|--------|---------|
| DLT-7033330 | 33"×33" | 33" | 12" | 21 5/8" |
| DLT-7036360 | 36"×36" | 36" | 12" | 21 5/8" |
| DLT-7038380 | 38"×38" | 38" | 12" | 21 5/8" |

DOUBLE THRESHOLD SHOWER BASE

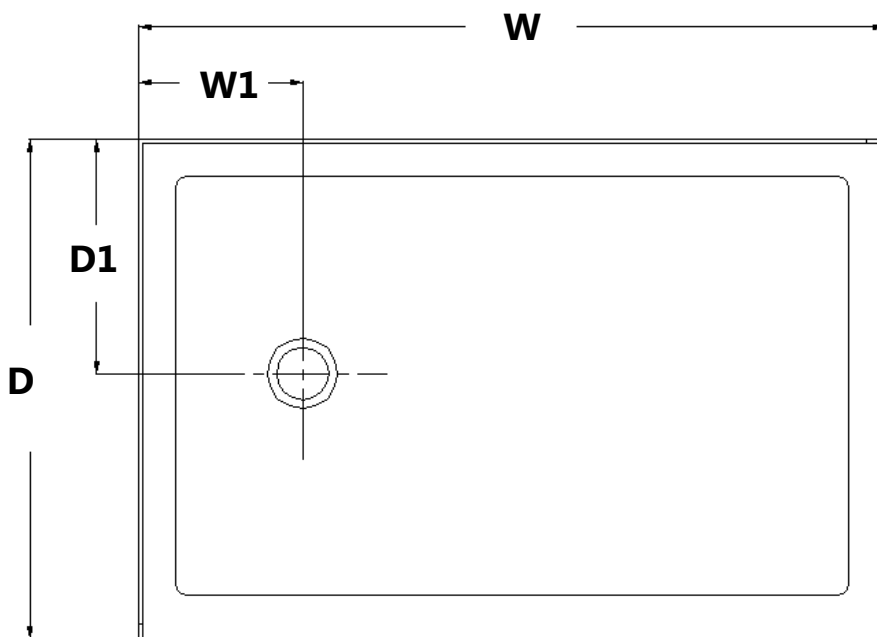
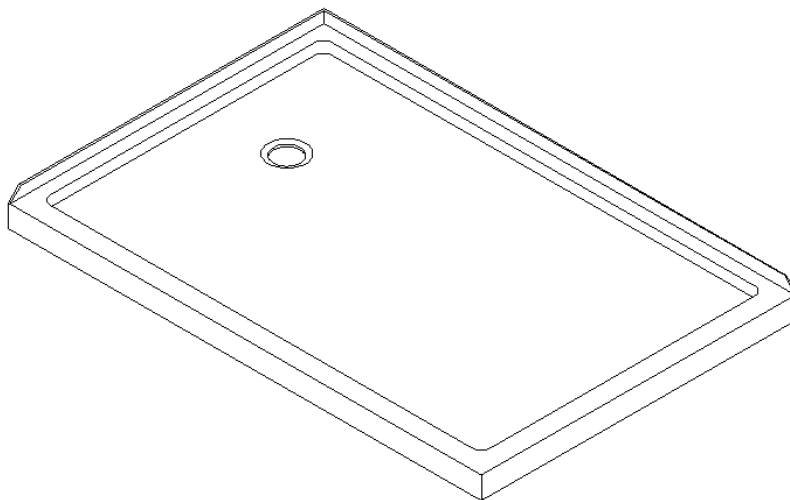
Corner Drain Configuration



| MODEL | SPECIFICATION | W (in) | C (in) |
|-------------|---------------|--------|--------|
| DLT-1032320 | 32" x 32" | 32" | 12" |
| DLT-1036360 | 36" x 36" | 36" | 12" |
| DLT-1042420 | 42" x 42" | 42" | 12" |

DOUBLE THRESHOLD SHOWER BASE

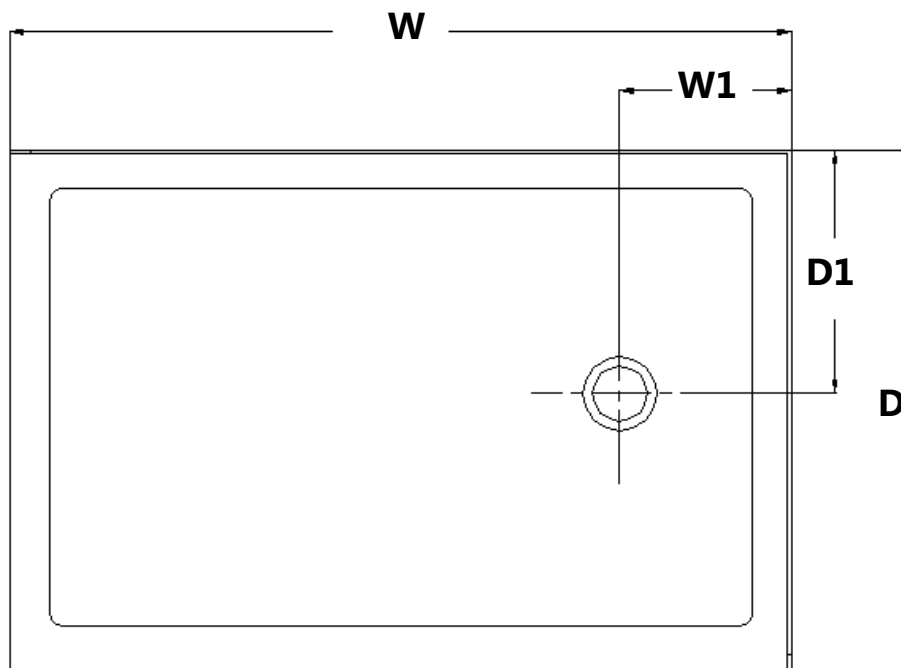
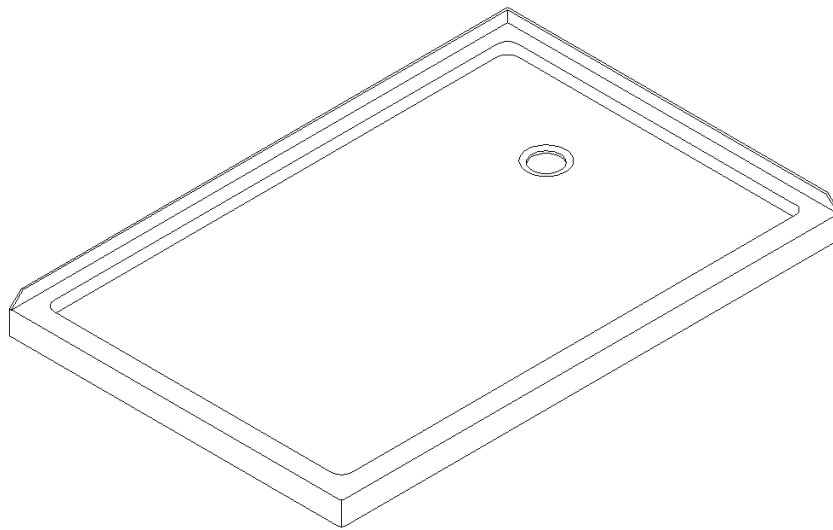
Left-Hand Drain Configuration



| MODEL | SPECIFICATION | D (in) | W (in) | D1 (in) | W1 (in) |
|-------------|---------------|--------|--------|---------|---------|
| DLT-1034481 | 34"×48" | 34" | 48" | 17" | 12" |
| DLT-1036481 | 36"×48" | 36" | 48" | 18" | 12" |
| DLT-1036541 | 36"×54" | 36" | 54" | 18" | 12" |
| DLT-1036601 | 36"×60" | 36" | 60" | 18" | 12" |

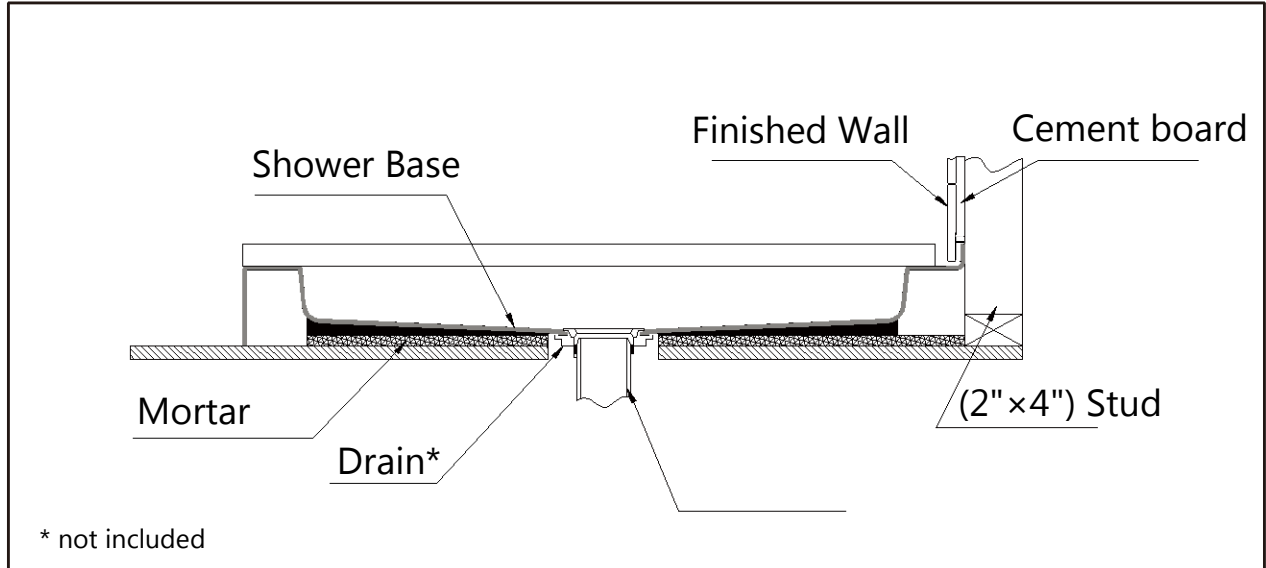
DOUBLE THRESHOLD SHOWER BASE

Right-Hand Drain Configuration



| MODEL | SPECIFICATION | D (in) | W (in) | D1 (in) | W1 (in) |
|-------------|---------------|--------|--------|---------|---------|
| DLT-1034482 | 34"×48" | 34" | 48" | 17" | 12" |
| DLT-1036482 | 36"×48" | 36" | 48" | 18" | 12" |
| DLT-1036542 | 36"×54" | 36" | 54" | 18" | 12" |
| DLT-1036602 | 36"×60" | 36" | 60" | 18" | 12" |

Shower Base Cross Section Diagram



This product should be installed by someone familiar with the construction requirements for this type of project and the care necessary for the safe installation and operation of the product.

Shower Base Installation - Preparation

1. Ensure that the floor and the studs are at right angles.
Provide a 5"×5" opening in the sub-floor for the drain.
The 2" PVC waste pipe should extend above the surface of the sub-floor according to the drain installation instructions and the height of the Shower base.
Refer to the product drawings and tables in this installation manual for the drain location.

(Fig 1a and Fig 1b)

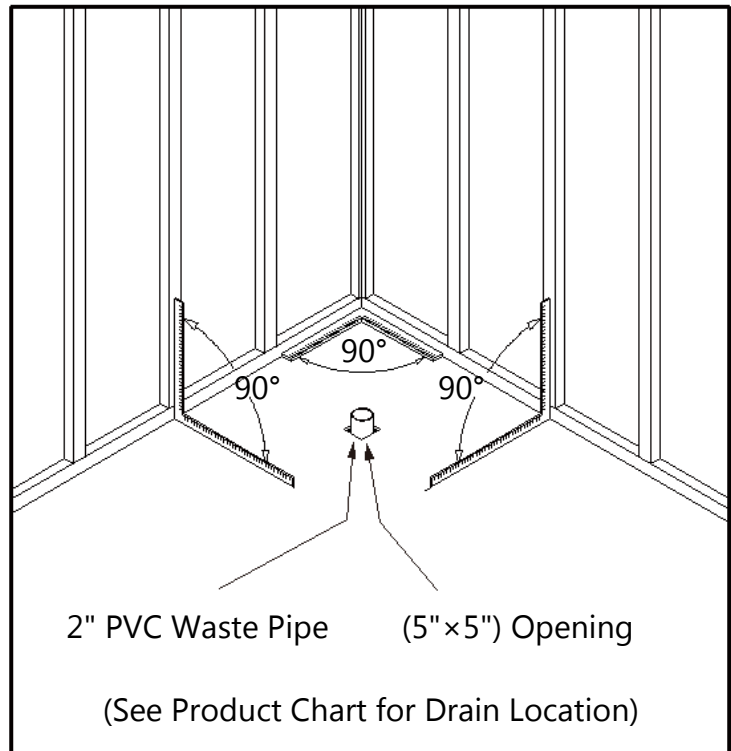


Fig 1a

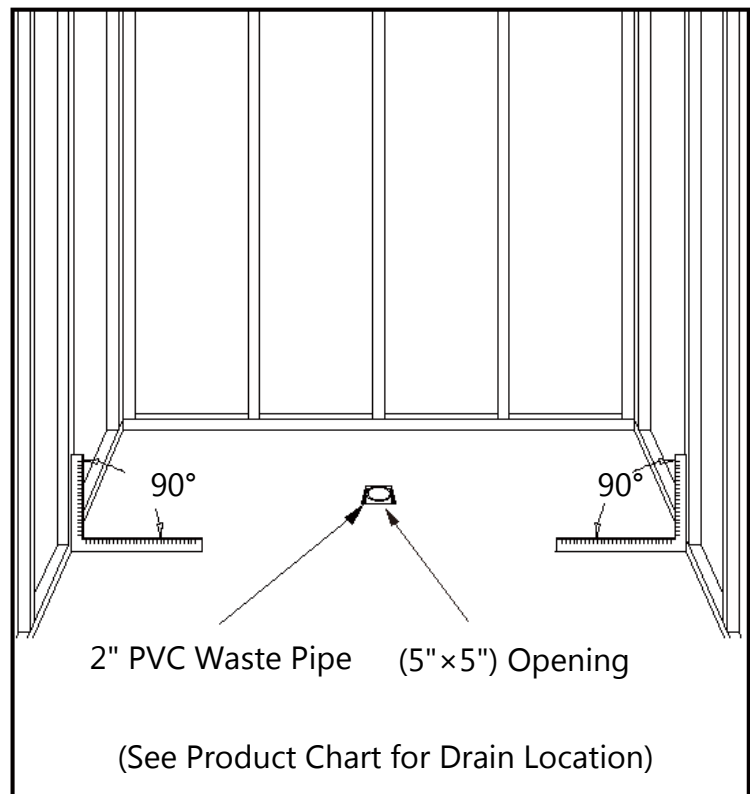


Fig 1b

2. Install the shower drain (**NOT INCLUDED**) according to the drain installation manual (supplied with the drain).

(Fig 2)

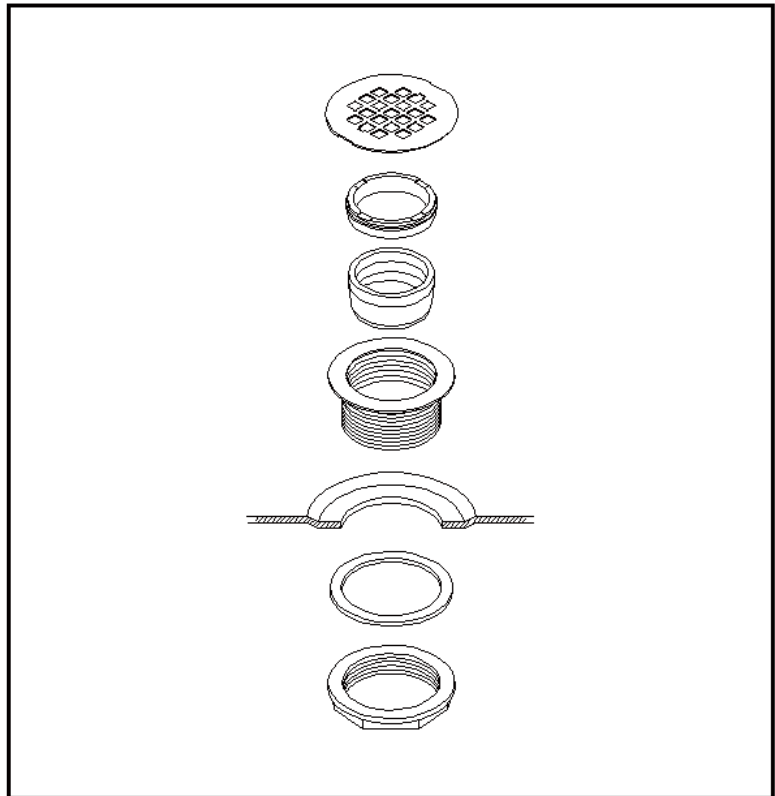
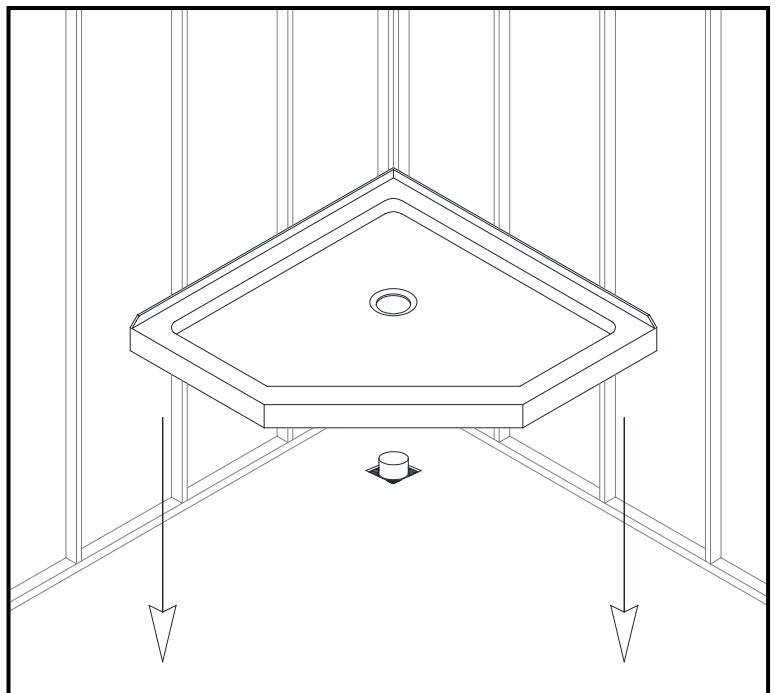


Fig 2

3. Place the tray into the designated position so that the Drain cutout drops around the Drain Pipe and butt the Shower Base up against the studs.

(Fig 3)



Lower the base over the drain pipe and set it into place against the studs.

Fig 3

4. Level the tray and place marks on the studs above the upper edge of the tile flange.

(Fig 4)

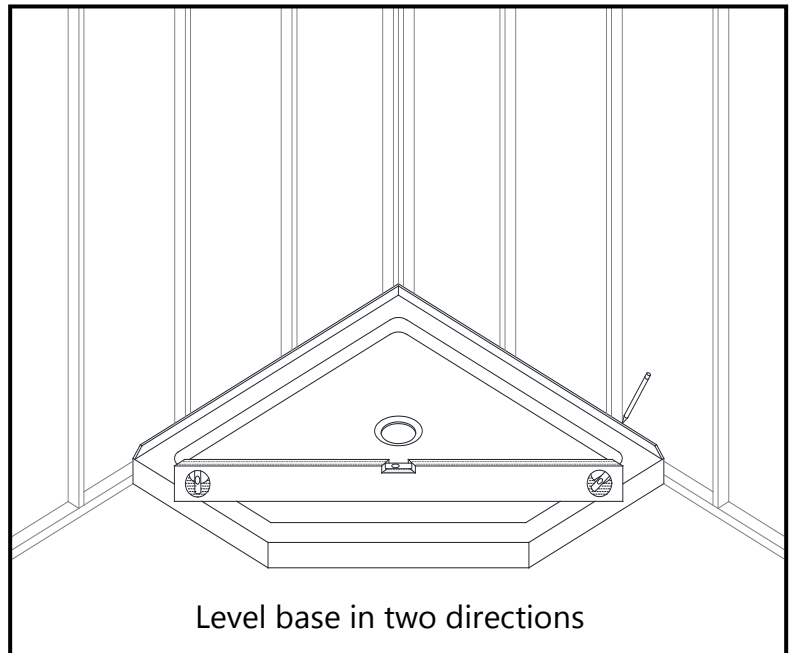


Fig 4

5. Mix the bedding material (Mortar, cement-sand mix, etc.) **Concrete or plaster is not recommended.** Apply enough bedding material to support the entire bottom of the shower base. This will add additional stability and prevent the base from shifting position.

(Fig 5)

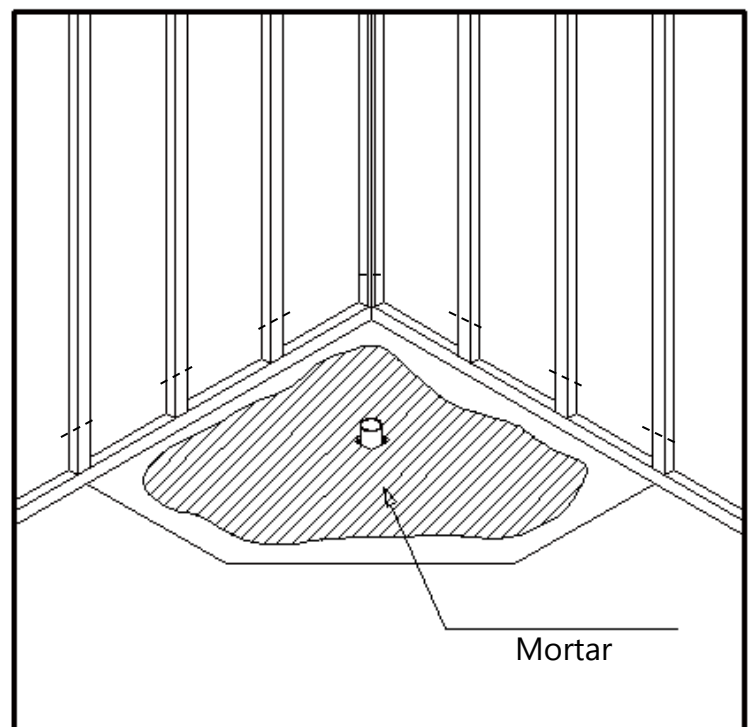


Fig 5

6. After the bedding material has been poured and *before* it sets, place the shower base into the position with the drain assembly sliding over the PVC waste pipe. It will be necessary to push the shower base until the top of the tile flange aligns with the marks drawn on the studs and the front edge is contacting the rough floor along the entire length of the shower base. Ensure that the base is level in all directions. You may need to use shims to hold the tray level until the bedding fully sets. Remove all excess mortar.

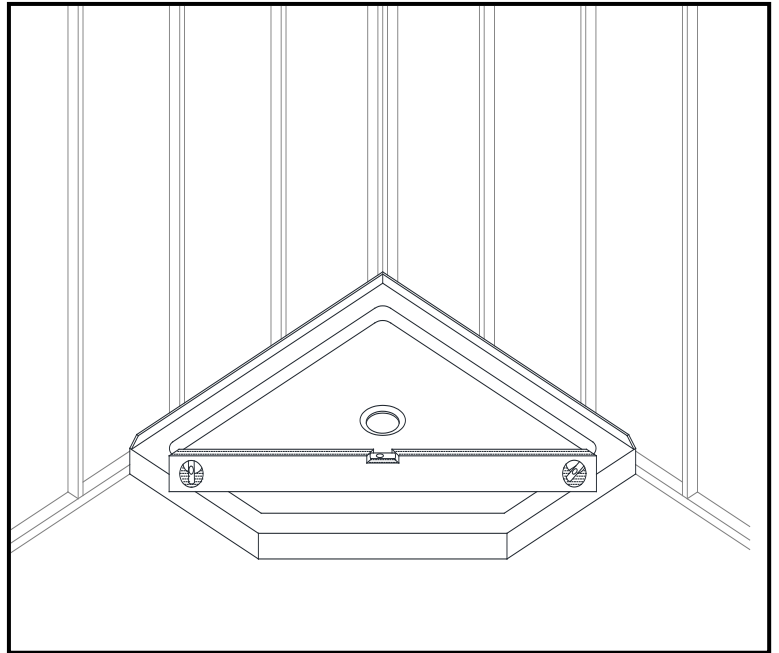


Fig 6

7. Allow the bedding material to completely harden before applying weight to the bottom of the shower base. Install the cement board (or the wallboard) above the tile flanges and secure it to the studs. Put the tiles (or other finishing wall material) over the cement board leaving 1/8" gap between the bottom of the tile or wall kit and the shower base. Use caulk to fill the gap.

(Fig 7a and Fig 7b)

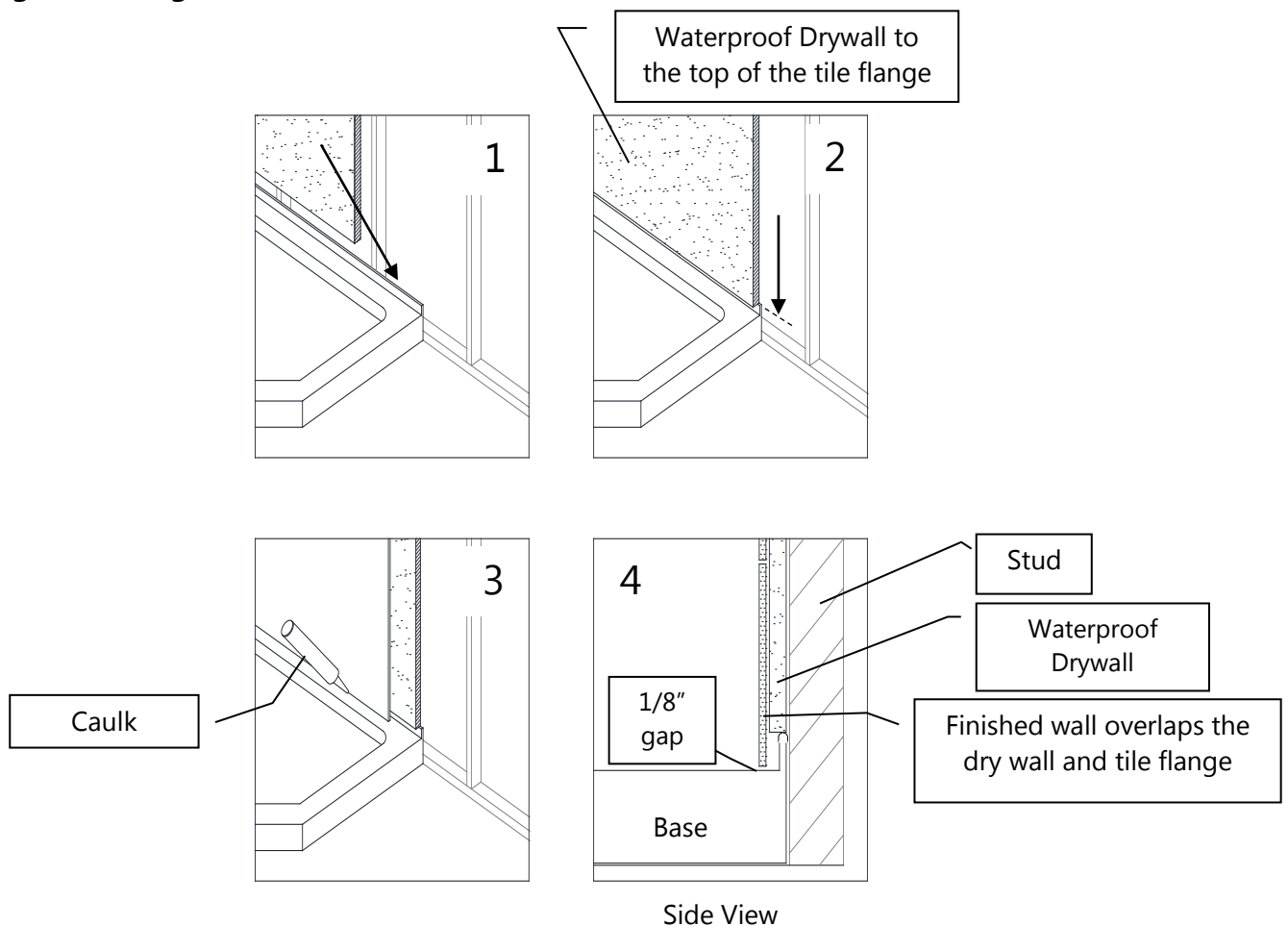


Fig 7a

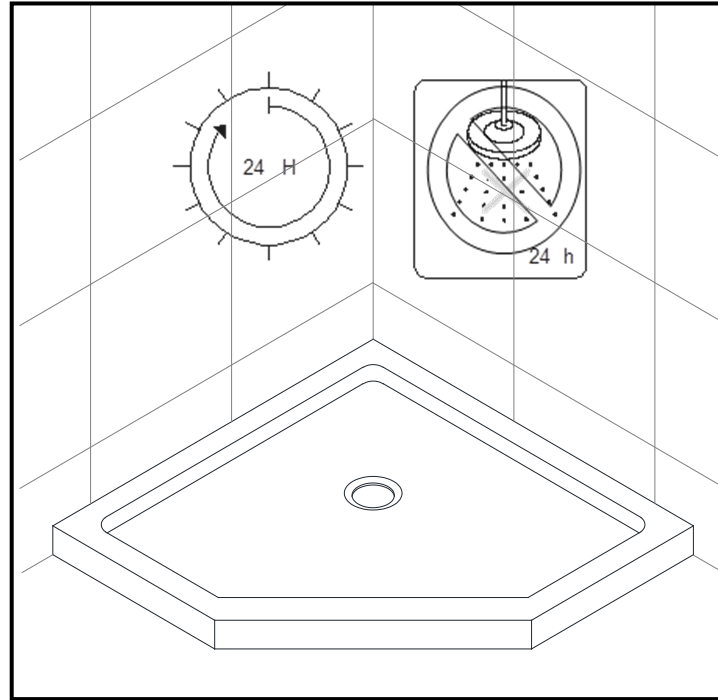


Fig 7b

Product Maintenance

BASES and BACKWALLS: To ensure long lasting life for your acrylic base and/or back walls: wipe them off after each use with a soft cloth. To clean the acrylic base or back walls use non-abrasive sprays or cream-based cleaners. Avoid the use of aerosol spray cleaners. Never use abrasive cleansers, metal brushes or scrapers that could scratch or dull the surface.

GLASS: To ensure long-lasting life for your glass shower products: wipe them off after each use with a soft cloth. Rinse and wipe off the glass using either a soft cloth or a squeegee to prevent soap buildup and water spots (Hard water can etch the surface of the glass over time if left to dry). To prevent scratching the surface: never use abrasive cleaners or cleaning products that contain scouring agents. Never use bristle brushes or abrasive sponges that may scratch the surface.

HARDWARE: To ensure a long-lasting finish: wipe off the metal parts after each use with a soft cloth. Do not use abrasive cleaners or cleaning products containing ammonia, bleach or acid. If accidentally used, rinse the surface as soon as possible to prevent damage to the finish (peeling or corrosion). After cleaning the polished finishes, rinse thoroughly and wipe dry with a soft cloth.

Clean stainless-steel surfaces at least once a week. When applying stainless steel cleaner or polish to stainless steel hardware, work with (not across) the grain. Never use an abrasive sponge or cloth, steel wool or wired brush as these may permanently scratch the surfaces.

NOTE: To maximize the life of your door, it is important to regularly inspect the glass and other hardware for misalignment, proper attachment, and/or damage. Contact DreamLine with any questions or concerns.



TEL: [866-731-2244](tel:866-731-2244)

FAX: [866-857-3638](tel:866-857-3638)

DREAMLINE.COM

For more information on [DreamLine® Shower Doors](#) and [Enclosures](#) please visit DreamLine.com

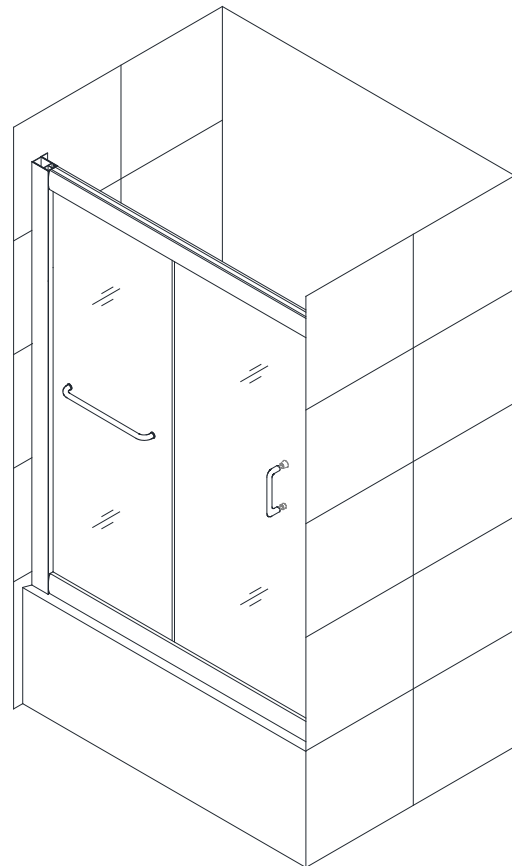
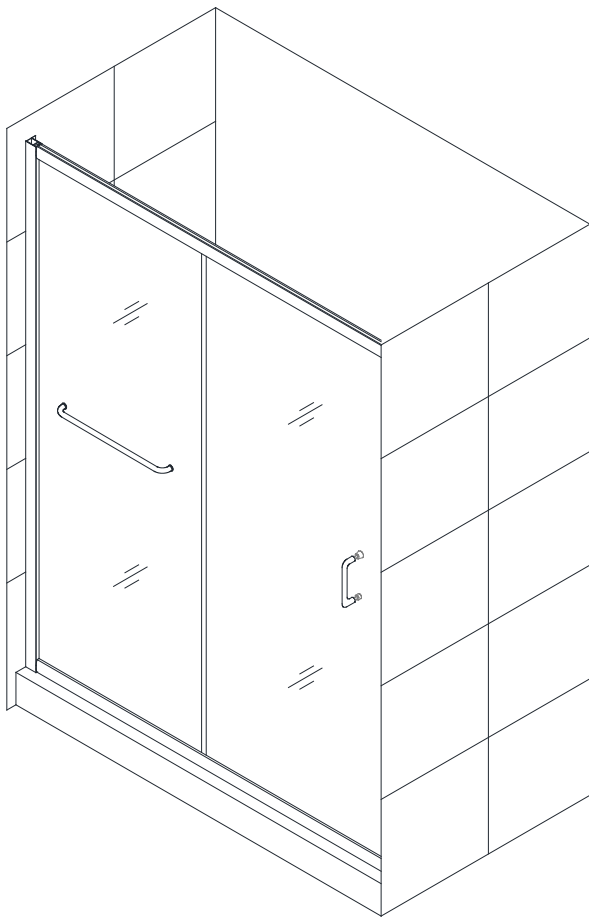
INFINITY-Z

SHOWER DOOR / TUB DOOR INSTALLATION INSTRUCTION

IMPORTANT

DreamLine[®] reserves the right to alter, modify or redesign products at any time without prior notice. For the latest up-to-date technical drawings, manuals, warranty information or additional details please refer to your model's web page on **DreamLine.com**

| MODEL #s | ##=finish |
|--------------------|----------------------|
| SHDR-0960580-## | 01-Chrome |
| SHDR-0948720-## | 04-Brushed Nickel |
| SHDR-0960720-## | 06-Oil Rubbed Bronze |
| SHDR-0954720-## | FR-Frosted Glass |
| SHDR-0954720-##-FR | |



Questions?

Please Call **DreamLine Customer Support: 1-855-831-2126**
Hours of Operation M-F 8AM - 7PM EST and Saturday 9AM - 5PM EST

Support@DreamLine.com



For more information about DreamLine[®] Shower Doors, Tub Doors & Enclosures, please visit **DreamLine.com**

Table of Contents

| Section title | Page # |
|----------------------|---------------|
| Preparation | 2 |
| Tools | 3 |
| Parts List | 5 |
| Installation Steps | 6-13 |
| Wheel Assemblies | 11 |
| Vinyl Seals | 12 |
| Product maintenance | 14 |

Preparation

1. Prior to installation, examine all boxes and packages for shipping damage and compare the piece count with the packing slip. After opening all boxes and packages read this introduction carefully. Check that all of the necessary parts are included in the package by checking off the components on the "Detailed Diagram of Shower Door Components". If the unit has been damaged, has a finishing defect, or has missing parts, please contact our customer support department within **3 business days** of the delivery date. **Please note that DreamLine® will not replace any damaged products or missing parts free of charge after 3 business days or if the product has been installed.** Contact DreamLine® if you have any questions, and please provide an order number, job name or other proof of purchase to help identify the original order.
2. **Please note that you should consult your local building codes with questions on installation compliance standards. Building and plumbing codes may vary by location, and DreamLine® is not responsible for code compliance standards for your project and will not accept any returns.**
3. If this unit is going to be installed in a new construction, please install all of the required plumbing and drainage before installing the shower. **Use a competent and licensed (if required by local code) plumber for all plumbing installation.**
4. Please make sure that prior to beginning the installation, the surfaces are leveled and solid and will be able to support the total weight of the unit. Also make sure the walls are at right angles. Irregular installation surface level, radius corners or improper angle of side walls will result in serious problems for your installation. Note that some adjustments and drilling will be necessary during the installation process.
5. Please protect all primary surfaces of the product during installation. Never set the glass down directly onto a tile floor. Leave corner protectors in place until necessary to remove them. Always use a piece of wood or cardboard to protect the bottom edge and corners of the glass prior to and during installation.
6. This unit must be installed upon a finished threshold and against finished walls.
7. This model has 1" of adjustment per wall profile for out-of-plumb wall conditions and overall width within the model size. Confirm the finished opening conditions before proceeding with the installation.
8. This model requires a minimum of **1"** of flat threshold space for installation.
9. **Professional installation recommended.**

NOTE: For models with frosted glass: the textured surface must face the outside of the shower.



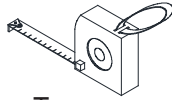
NOTE: This door is reversible for right or left-hand door installation. The right-hand door installation is shown as an example throughout this manual. For the left-hand door installation, flip the assembly top to bottom so that the panel is on the right side (see Step #9).

NOTE: This manual will describe the shower door installation. Please follow the same sequence of installation steps for the tub door installation.

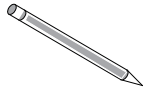
Tools



Level



Tape Measure



Pencil



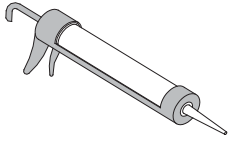
Phillips Screwdriver



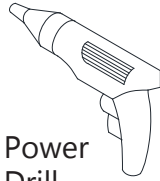
Drill bit
(Ø=5/16")
(D=8mm)



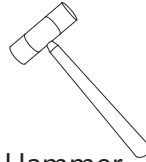
Drill bit
(Ø=1/8")
(D=3mm)



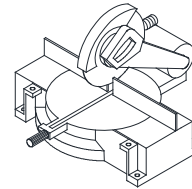
Silicone/Caulk



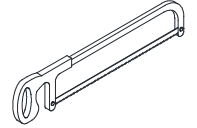
Power Drill



Hammer



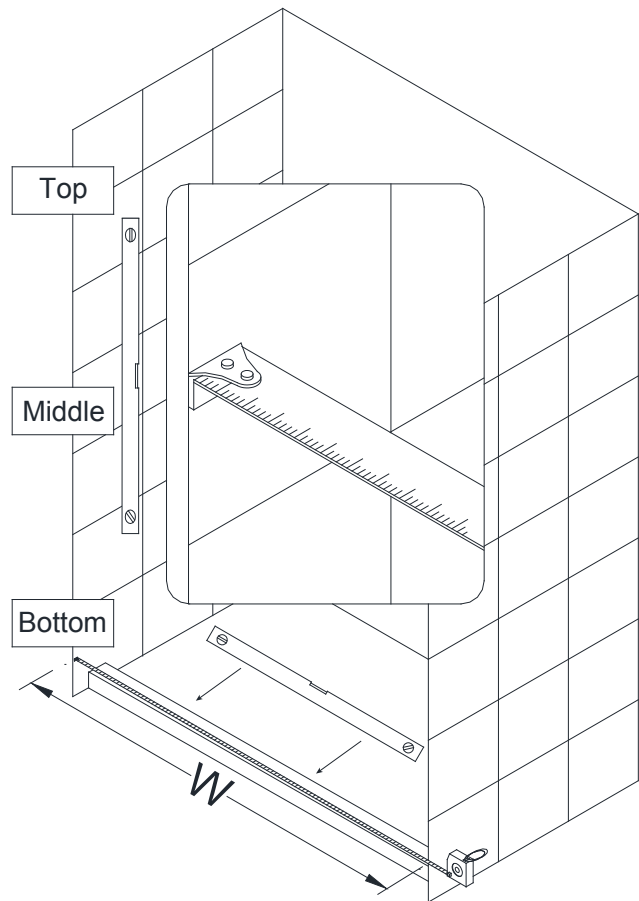
Miter saw or Hacksaw



Tip: Measure the finished opening before proceeding with the installation to be sure that the correct model size has been ordered.

Tip: Prior to installation, cover the shower/tub drain with tape to prevent losing screws or small parts.

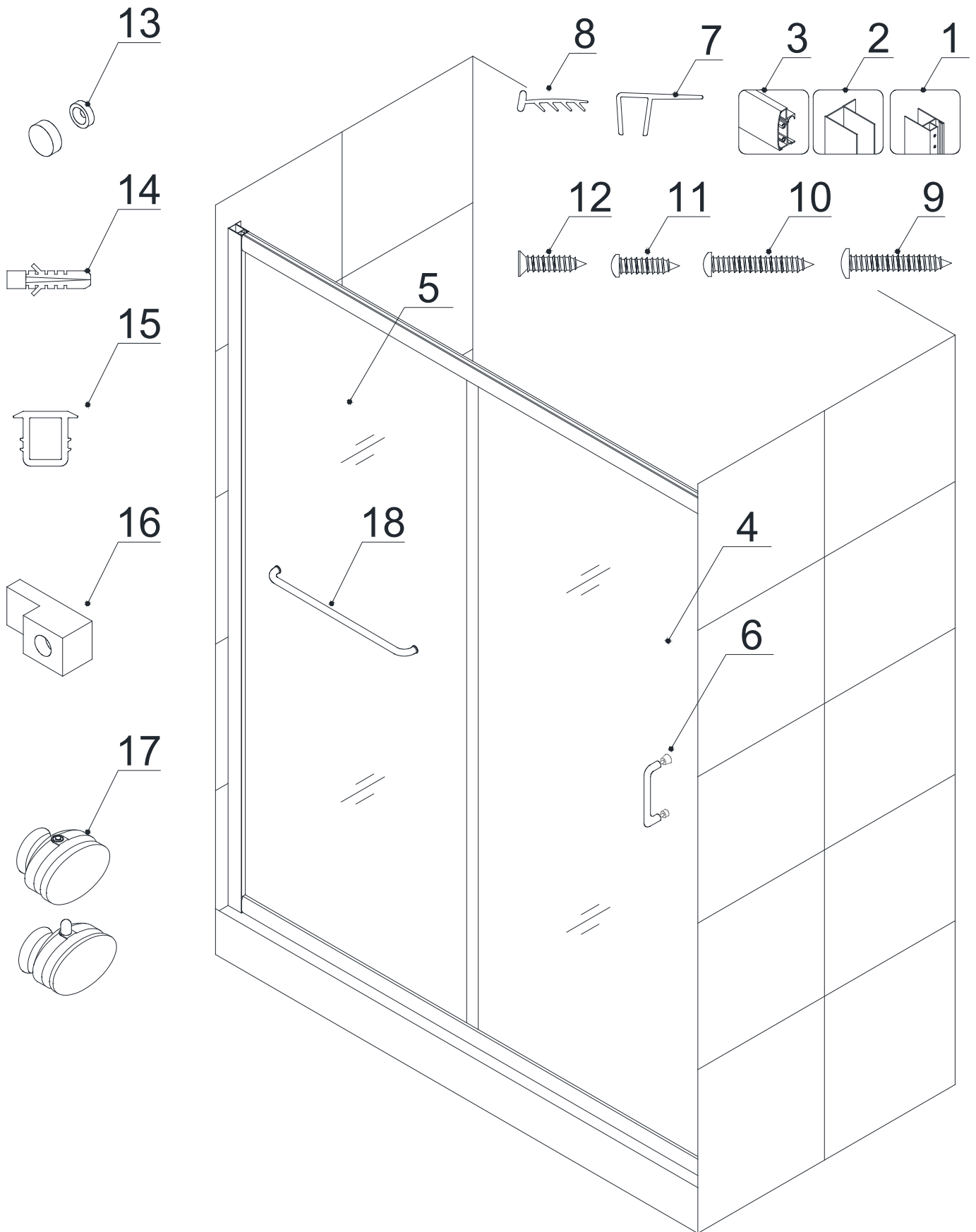
Tip: Set screw gun clutch to low setting when installing screws and bolts to prevent stripping the heads.



NOTE: Unpack your unit carefully and inspect it. Lay it out and identify all parts using the detailed diagram and packing list in this manual as a reference. Before discarding the carton, check for small hardware bags that may have fallen to the bottom of the box. If any parts are damaged or missing, please contact DreamLine® for replacement. The shipping boxes may contain extra parts not used in your model configuration.

NOTE: Retain these installation instructions for future reference.

Detailed Diagram of shower door components



Parts List

| PART# | DESCRIPTION | QTY | PART# | DESCRIPTION | QTY |
|-------|------------------------------------|------|-------|--------------------------------|-------|
| 01 | Glass profile | 2pcs | 10 | Round head screw ST4.2x25 | 8pcs |
| 02 | Wall profile | 2pcs | 11 | Round head screw ST4.2x10 | 4pcs |
| 03 | Guide rail (top and bottom) | 2pcs | 12 | Flat head screw ST4.2x16 | 2pcs |
| 04 | Glass door | 1pc | 13 | Decorative cover (with washer) | 4pcs |
| 05 | Stationary glass | 1pc | 14 | Wall anchor | 8pcs |
| 06 | Handle | 1pc | 15 | Seal gasket | 1pc |
| 07 | Anti-water strip (2 long, 1 short) | 3pcs | 16 | Glass holder | 2pcs |
| 08 | Single side strip | 1pc | 17 | Wheel assembly (top & bottom) | 2pair |
| 09 | Truss head screw ST4.2×40 | 8pcs | 18 | Towel bar | 1pc |



NOTE: DO NOT install the towel bar or handle onto the glass until instructed to do so. **DO NOT** lift the glass using the towel bar or handle. This could result in damage to the glass and/or serious personal injury. Always use an assistant or a professional grade glass suction cup when handling heavy glass.

Installation steps

1. Measure the distance between the two finished walls at the top (at model height: 58" or 72"), middle and bottom. The wall profiles will adjust for out-of-plumb conditions, so **use the smallest measurement as the "finished opening"** dimension to determine the finished cut length in Step #2. **(Fig 1)**

NOTE: The **Top and Bottom Guide Rails (#03)** are shorter than the model size by design. They have been precut for your model width and are made to fit between the wall profiles, (not wall to wall). See the table below:

| Model Size | Precut Rail Length |
|------------------|--------------------|
| 48" (for shower) | 44-5/8" |
| 54" (for shower) | 50-5/8" |
| 60" (for shower) | 56-5/8" |
| 60" (for tub) | 56-5/8" |

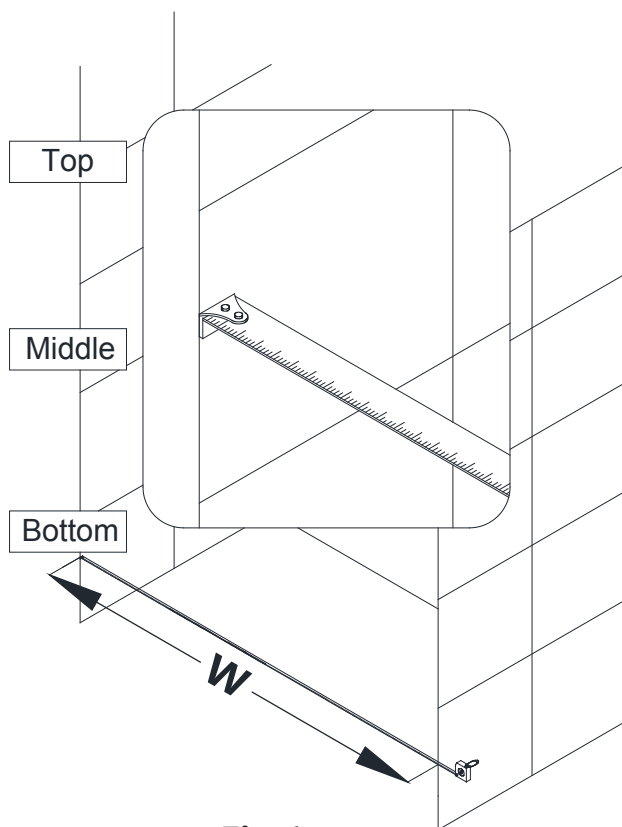


Fig 1

2. Subtract 3-3/8" from your finished opening (W) to determine the finished cut length for the **Top and Bottom Guide Rails (#03)**. Cut the **Top and Bottom Guide Rails (#03)** to the **finished cut length "D"**. **Cut from the door end only**, (which is the end farthest from the glass holder hole) and cut each rail to the same length from the same end. **(Fig 2 and Fig 3)**

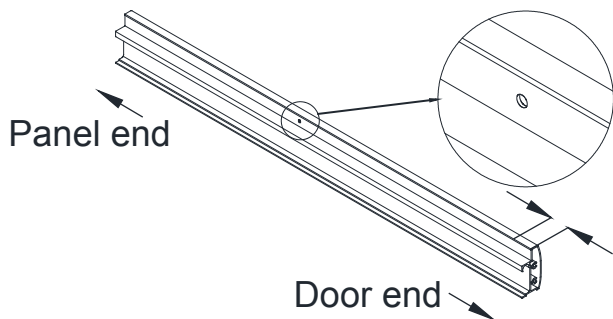
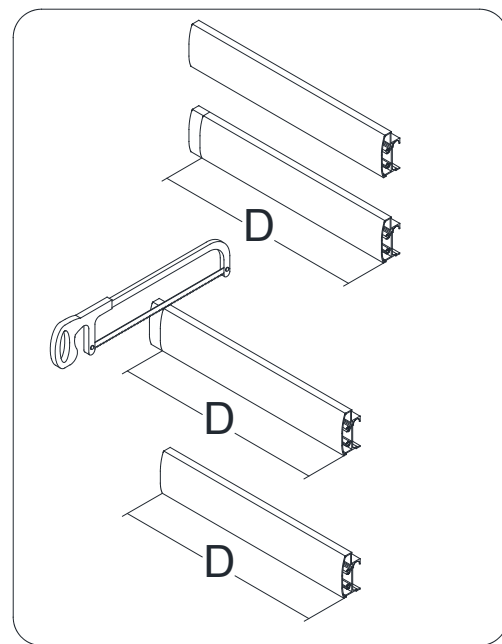


Fig 2



FINISHED OPENING - 3-3/8" = FINISHED CUT LENGTH "D"

Fig 3

TIP: For easier installation into the opening, cut off an extra 1/4":
FINISHED OPENING (W) - 3-5/8" = FINISHED CUT LENGTH "D"

3. After the **Top and Bottom Guide Rails (#03)** have been cut, you will need to re-install the roller stopper on each **Top and Bottom Guide Rails (#03)** on the end that has been cut off (the door end).

Remove the existing stopper. Mark the drilling hole at the distance of **3-1/8"** from the cut end of the **Top and Bottom Guide Rails (#03)**. Drill a new hole using a **Ø1/8"** drill bit; then re-secure the stopper with the screw. **(Fig 4) (Bottom Guide Rail shown)**

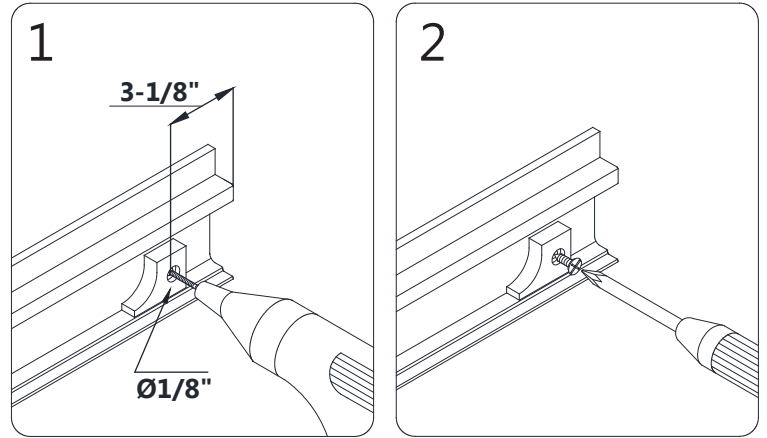


Fig 4



ATTENTION: Do Not drill the Guide Rail throughout, only through the first layer.

4. Secure the **Bottom Guide Rail (#03)** to the **Glass Profiles (#01)** with the **Round Head Screws ST4.2x25 (#10)**. **(Fig 5)**

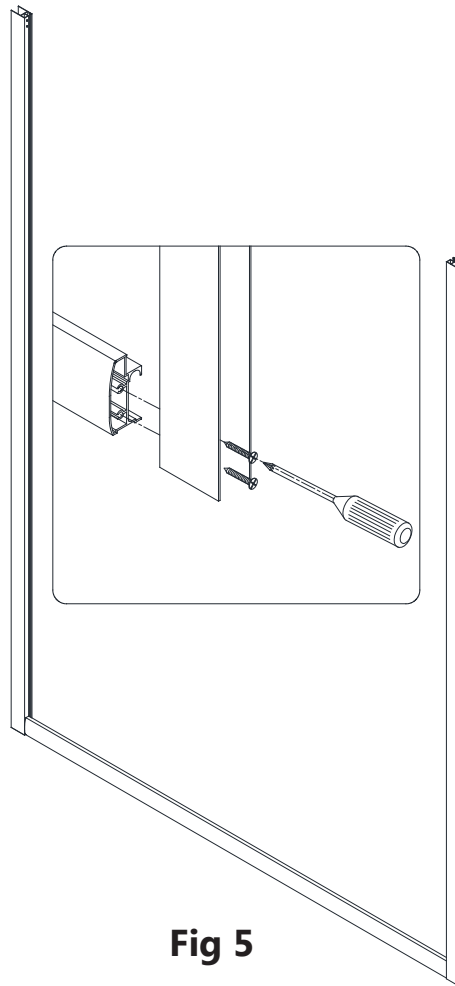


Fig 5

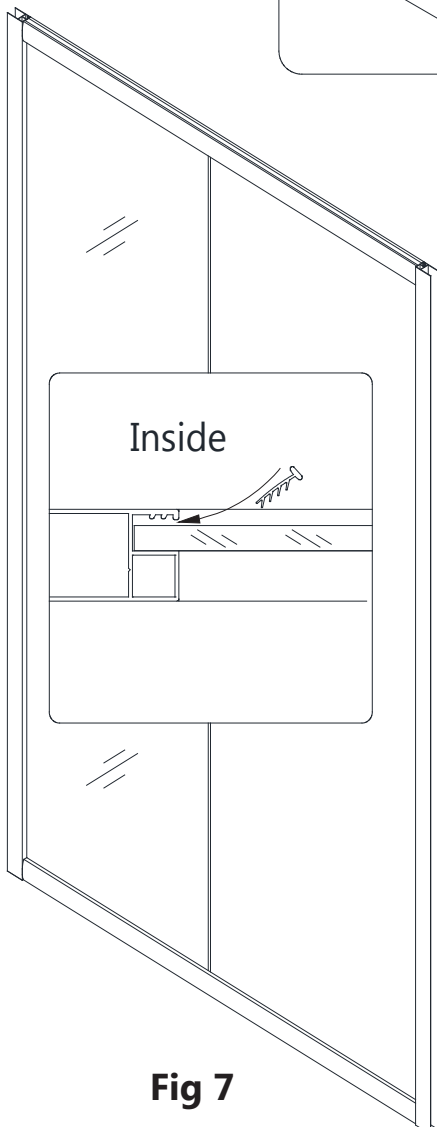
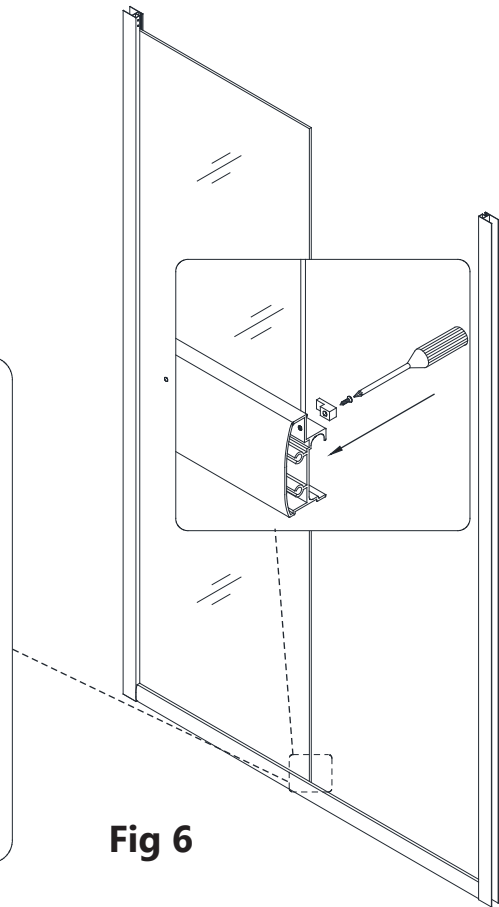
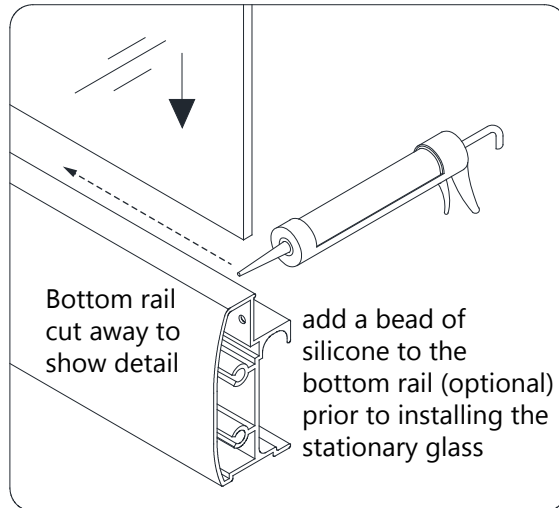


TIP: For ease of assembly, add some liquid soap, wax or lubricant to the screws prior to attaching the glass profiles to the guide rails. Use a low setting on your power drill to prevent stripping the screws.

5. Slide the **Stationary Glass (#05)** fully into the groove of the **Glass Profile (#01)**, and then secure the **Glass Holder (#16)** to the **Bottom Guide Rail (#03)** with the **Flat Head Screw ST4.2x16 (#12)**. (Fig 6)



NOTE: Use caution when installing the stationary glass into the frame to prevent damage to the edges of the glass.



6. Starting from the bottom, insert the **Single Side Strip (#08)** into the groove between the glass and the glass profile using a wooden or plastic shim. The strip should be inserted from the side that will face inside the shower.



ATTENTION: To prevent scratching or damaging the glass and aluminum: **Do Not** use a screwdriver or other metal object to insert the **Single Side Strip (#08)**

7. Repeat Step #3, Step #4, Step #5 and Step #6 to fasten the **Top Guide Rail (#03)** to the **Glass Profiles (#01)** and secure the **Stationary Glass (#05)** with the remaining **Glass Holder (#16)** and **Flat Head Screw ST4.2 x 16 (#12)**. (Fig 7)

8. Slide the **Wall Profiles (#02)** all the way onto the **Glass Profiles (#01)** on both sides. Make sure the flange of the wall profile faces inside the shower. **(Fig 8)**

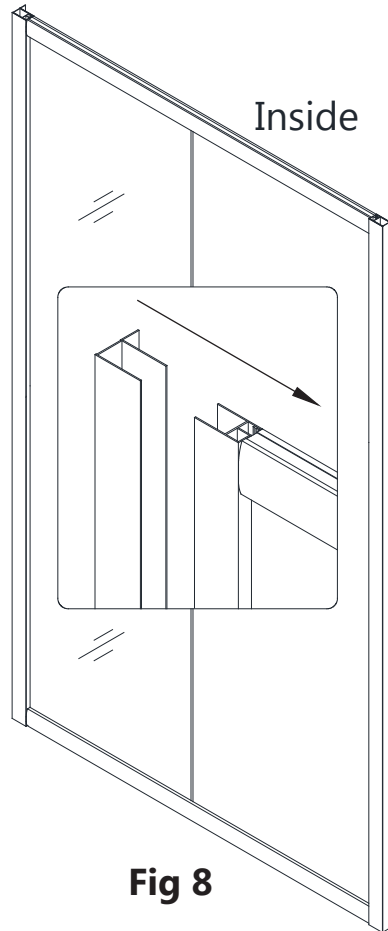


Fig 8

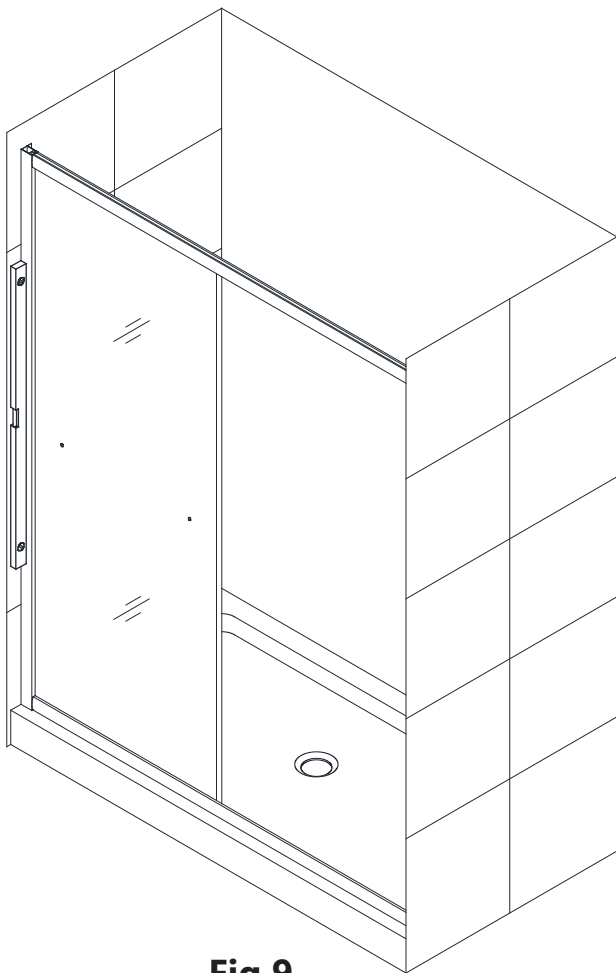


Fig 9

9. Move the assembled frame into the designated position on the shower base*, bathtub or threshold (depending on your installation), and push the **Wall Profiles (#02)** tight to the walls to compensate for any out-of-plumb conditions. Push the bottom rail down tight to the threshold and adjust the frame to a vertical position. Confirm with a level before marking the holes for drilling. **(Fig 9)**

***NOTE:** At this step you can reverse the handing of the installation by flipping the assembly top to bottom so that the panel is on the right side.



***NOTE:** Before installing the frame assembly, put the Door Glass into the shower area and lean it against the wall with the handle holes on the correct side for the installation.

After the frame assembly and panel glass are installed, it may not be possible to easily get the door glass into the shower. Always use padding to protect the glass and shower surfaces.

10. Use a helper to hold the assembly in position and mark the drill holes on the wall through the holes on the flange of the **Wall Profiles (#02)**.

Gently set the assembled unit aside; drill the holes using a **Ø5/16"** drill bit and insert the **Wall Anchors (#14)**.

Apply silicone along the **Wall Profile (#02)** and around the holes on the wall. Also apply silicone caulk under the **Bottom Guide Rail (#03)**. Place the entire shower assembly back into the designated position and secure it to the walls using the **Truss Head Screws ST4.2×40 (#09)**. (**Fig 10**)

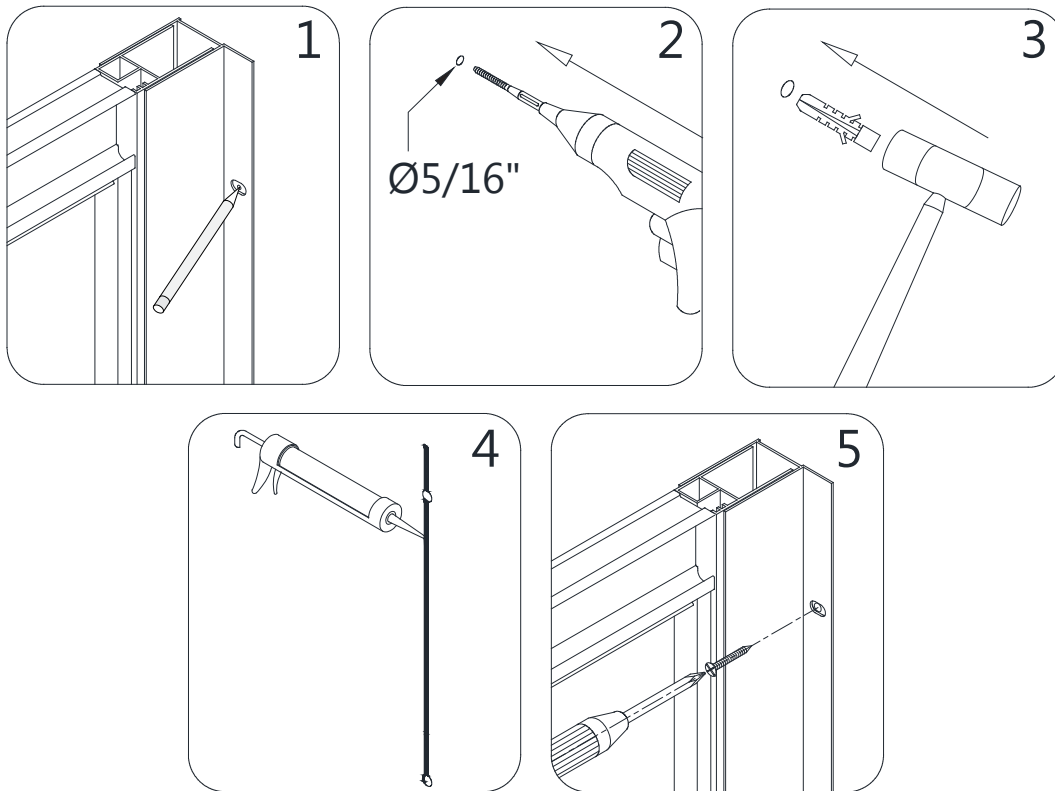


Fig 10

11. Attach the **Towel Bar (#18)** to the outside of the **Stationary Glass (#05)**. (**Fig 11**)

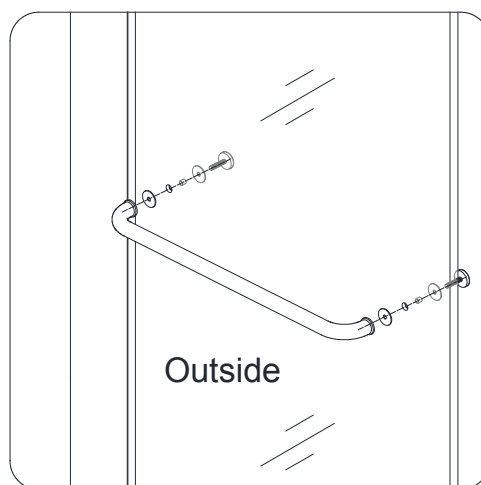


Fig 11



NOTE: Towel Bar must be installed on the outside of the Stationary Glass.

12. Fasten the top and the bottom **Wheel Assemblies (#17)** to the **Door Glass (#04)**. The top wheels can adjust the door level using the adjustable bolt and lock nut. The bottom wheel has a press button to fix the wheel onto the **Bottom Guide Rail (#03)**. **The wheels must face towards the outside of the shower.** Be sure that the handle holes are on the correct side for the installation. **(Fig 12)**

NOTE: The lock nut of the upper wheel (Fig 12.4) and the press button of the bottom wheel (Fig 12.1) should be pointing up.

⚠ NOTE: Do not overtighten the wheels.

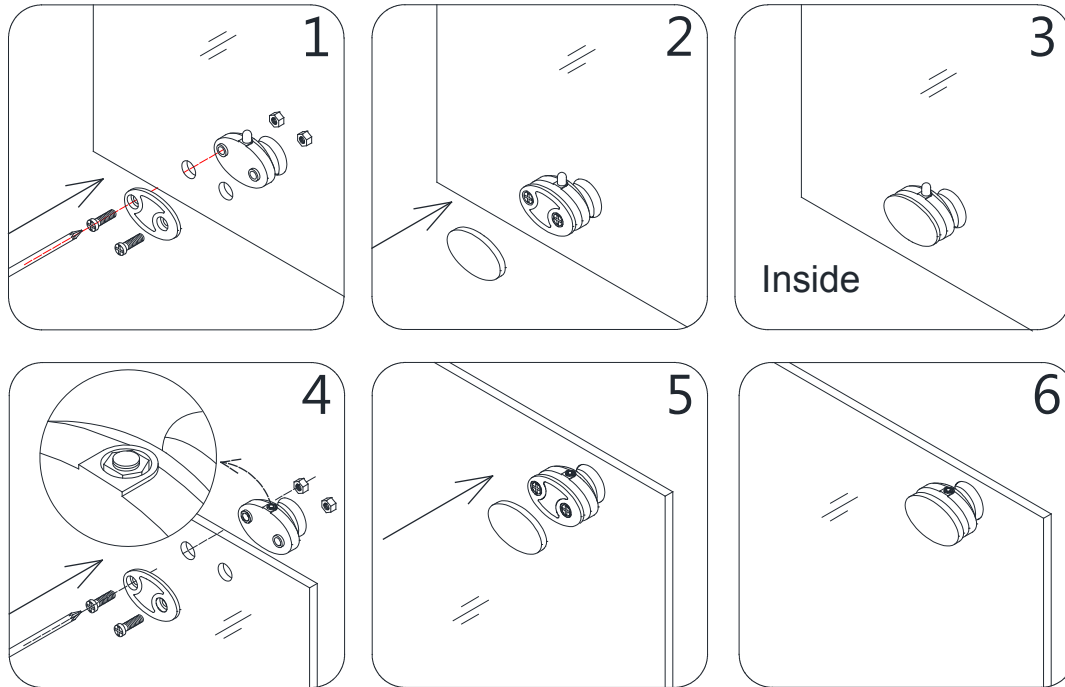


Fig 12

13. From inside of the shower, insert the bottom **Wheel Assemblies (#17)** into the **Bottom Guide Rail (#03)**, lift the door up and snap the top **Wheel Assemblies (#17)** into the **Top Guide Rail (#03)**. Test the operation of the door, and if necessary, use a #2 Phillips screwdriver (**do not use a power screwdriver**) to adjust the upper wheels so the door rolls smoothly and the closes tight. **(Fig 13)**

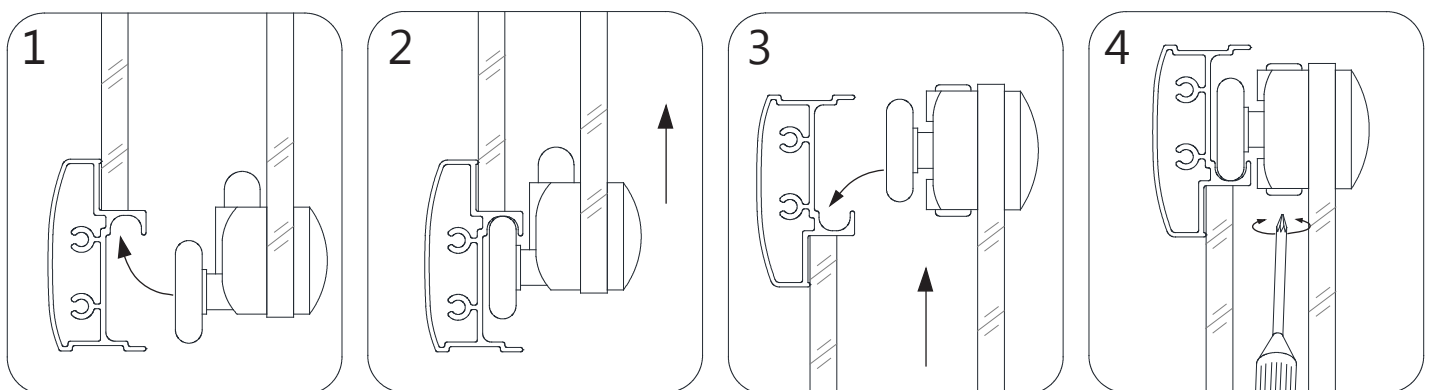


Fig 13

14. Install the **Handle (#06)** to the **Door Glass (#04)**.

Press the **Anti-Water Strips (#07)** onto the vertical edges of the **Stationary Glass (#05)** and both vertical edges of the **Door Glass (#04)**. Insert the **Seal Gasket (#15)** into the **Glass Profile (#01)** starting from the bottom (Fig. 14.3). **(Fig 14)**

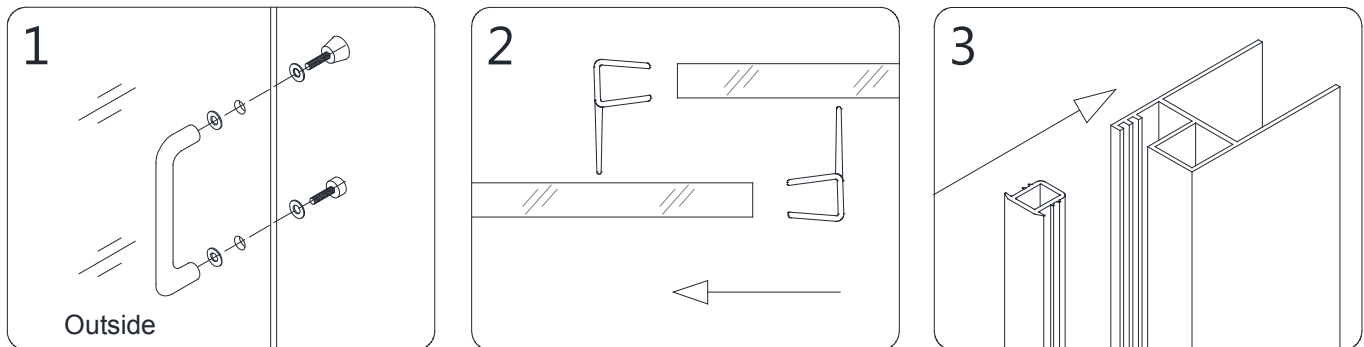


Fig 14

TIP: The longer **Anti-Water Strips (#07)** attach to the edges of the **Door Glass (#04)** and the shorter strip attaches to the edge of the **Stationary Glass (#05)**.

15. Perform the final adjustments of the assembled unit in the **Wall Profiles (#02)** making sure that the bottom rail is tight to the threshold.

Drill the holes in the center of the **Wall Profile (#02)** into the **Glass Profile (#01)** using a **Ø1/8"** drill bit. **(Fig 15)**



ATTENTION: Do Not drill the profiles throughout, **only through the first layer of the wall and glass profiles.**

Secure the **Wall Profile (#02)** to the **Glass Profile (#01)** using the **Round Head Screws ST4.2×10 (#11)** and raised white washers.

Cover the exposed screw heads with the **Decorative Covers (#13)**.

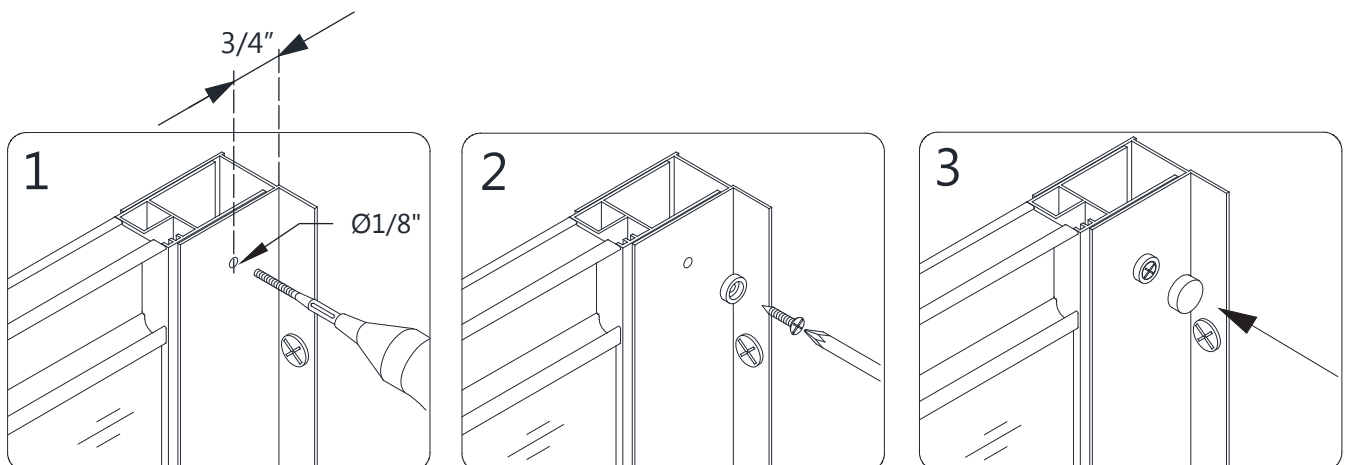


Fig 15

16. Apply good quality mildew-resistant silicone along the profiles and guide rails; on the seams between the bottom guide rail and the profiles as well as along the shower base or threshold. Allow 24 hours for the silicone to cure before using the shower. **(Fig 16)**

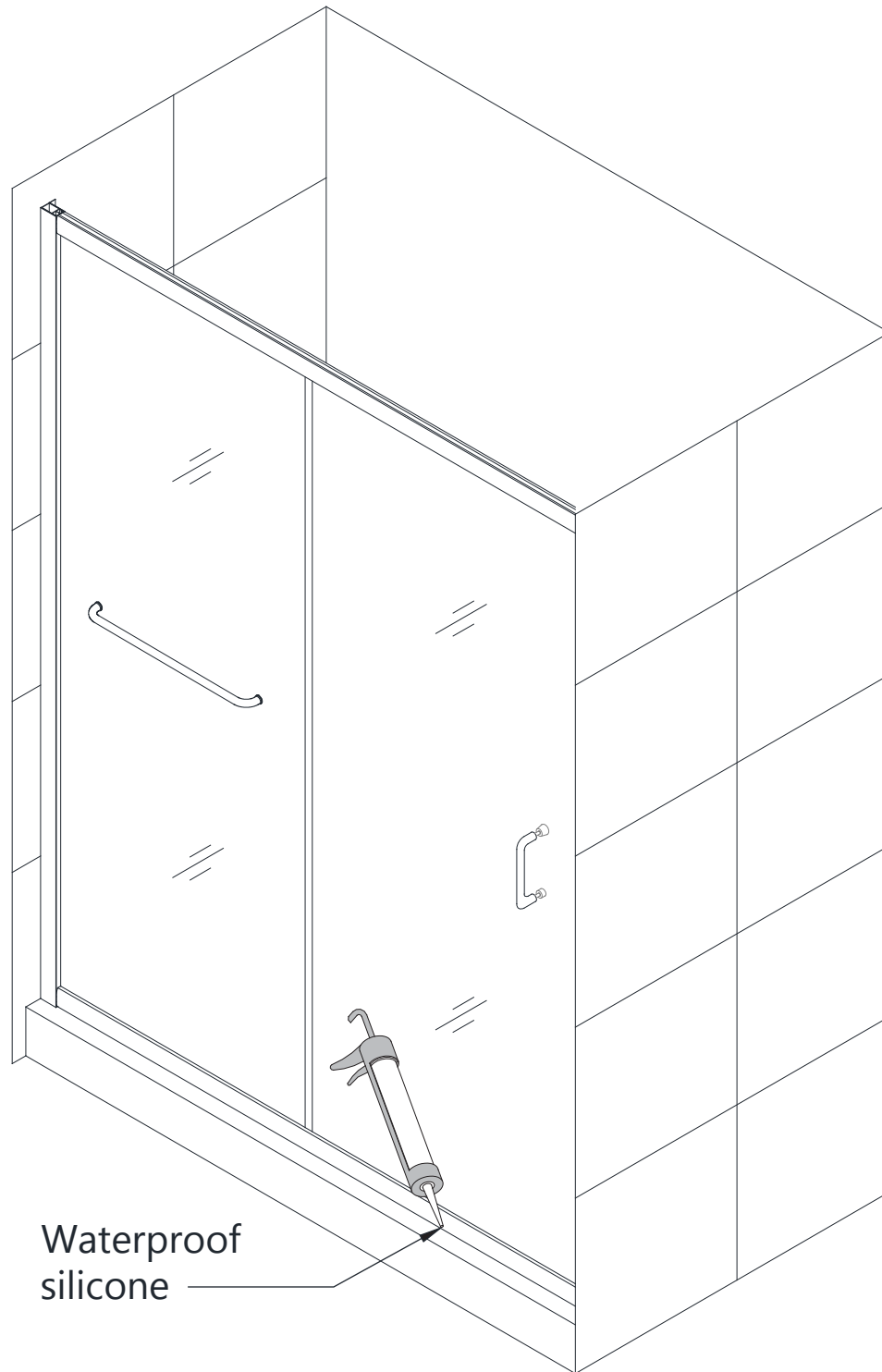


Fig 16

Product Maintenance

BASES and BACKWALLS: To ensure long-lasting life for your acrylic back walls, wipe them off after each use with a soft cloth. To clean the acrylic back walls use non-abrasive sprays or cream based cleaners. Avoid the use of aerosol spray cleaners. Never use abrasive cleansers, metal brushes or scrapers that could scratch or dull the surface.

GLASS: To ensure long-lasting life for your glass shower products, wipe them off after each use with a soft cloth. Rinse and wipe off the glass using either a soft cloth or a squeegee to prevent soap buildup and water spots (Hard water can etch the surface of the glass over time if left to dry). To prevent scratching the surface: never use abrasive cleaners or cleaning products that contain scouring agents. Never use bristle brushes or abrasive sponges that may scratch the surface.

HARDWARE: To ensure a long-lasting finish, wipe off the metal parts after each use with a soft cloth. Do not use abrasive cleaners or cleaning products containing ammonia, bleach or acid. If accidentally used, rinse the surface as soon as possible to prevent damage to the finish (peeling or corrosion). After cleaning the polished finishes, rinse thoroughly and wipe dry with soft cloth. Clean stainless steel surfaces at least once a week. When applying stainless steel cleaner or polish to stainless steel hardware, work with (not across) the grain. Never use an abrasive sponge or cloth, steel wool or wired brush as these may permanently scratch the surfaces.

NOTE: To maximize the life of your door, it is important to regularly inspect the glass and all hardware for misalignment, proper attachment, and/or damage. Contact DreamLine® with any questions or concerns.

DreamLine® shower doors and enclosures are designed not to leak when installed properly and the flow of water is not pointed directly at the vinyl seals.



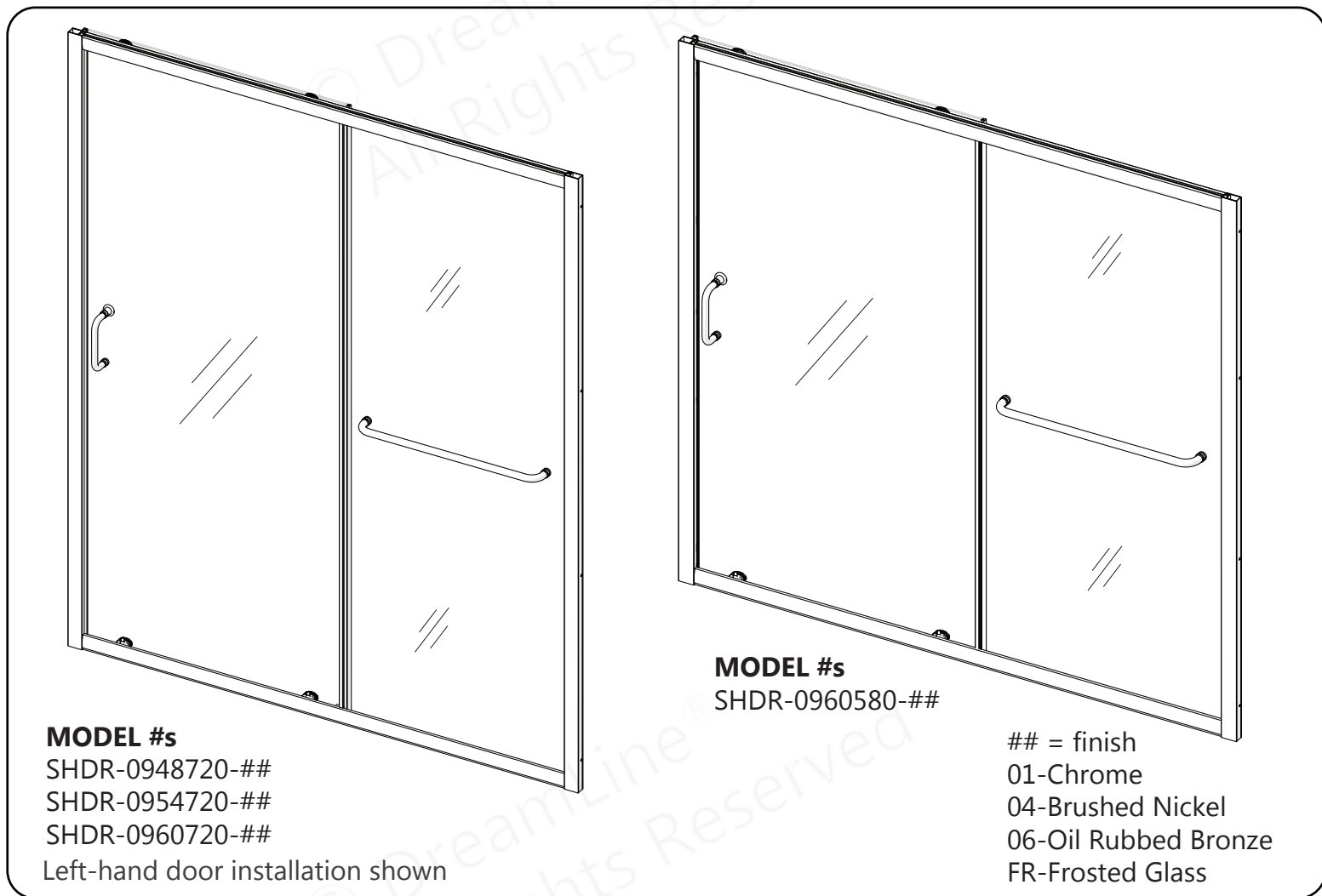
TEL: 866-731-2244
FAX: 866-857-3638
DREAMLINE.COM

For more information on DreamLine[®] Shower Doors and Enclosures please visit **DreamLine.com**

INFINITY-Z

SHOWER AND TUB DOOR INSTALLATION INSTRUCTIONS

PLEASE REVIEW THIS ENTIRE MANUAL PRIOR TO INSTALLATION



IMPORTANT!

DreamLine® reserves the right to alter, modify or redesign products at any time without prior notice for the purpose of product improvement and customer experience. Please refer to the model's web page on **DreamLine.com** for the latest technical drawings, installation manuals, warranty information or additional product details.

Do Not Return Product to the Store. Contact DreamLine® with any questions



Questions?

Please Call **DreamLine** Customer Support: **1-855-831-2126**
Hours of Operation M-F 8AM - 7PM EST and Saturday 9AM - 5PM EST

Support@DreamLine.com





© DreamLine®
All Rights Reserved

© DreamLine®
All Rights Reserved

Record the following purchase information for your records or in the event you need to contact DreamLine®:

Purchase Order
Number _____

Store/Vendor
Purchased From _____

Installation Date _____

OD Number
(optional) _____
located on the shipping box or label
if available.

Installed By: _____

SKU Number _____

Table of Contents

| Section Title | Page # |
|---|--------|
| General Preparations and Warnings | 2 |
| Model Specific Preparation | 3 |
| Adjustable Wall Profile System | 4 |
| Tools | 5 |
| Detailed Diagram of Shower Door Components | 6 |
| Parts List | 7-8 |
| Installation Steps | 9-24 |
| Top and Bottom Roller Assembly Installation | 20-21 |
| Handle and Vinyl(s) Installation | 22 |
| Decorative Cover with Washer Installation | 23 |
| Product Maintenance | 25 |
| Troubleshooting | 26 |
| Factory Parts Information | 27-33 |

Symbol Legend



TIP - for ease of installation.



CORRECT - recommended.



NOTE - take note of special feature; additional information.

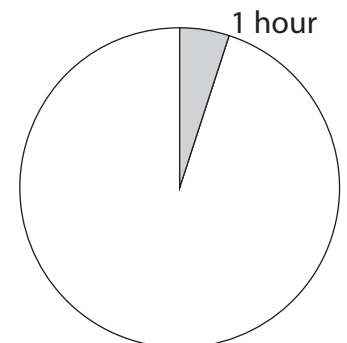


INCORRECT - not recommended.



REQUIRED - requires special attention; signifies a warning.

Average Installation Time





IMPORTANT

- DreamLine® reserves the right to alter, modify or redesign products any time without prior notice for product improvement and customer experience. Please refer to the model's web page on DreamLine.com for the latest technical drawings, installation manuals, warranty information or additional product details.
- This product should be installed by someone familiar with the construction requirements for this type of project and the care necessary for the safe installation and operation of the product.
- The safety of any installation is the responsibility of the installer.
- Professional installation recommended. (*All Models*)
- Professional installation required. (*Enigma Series*)
- To prevent damage or serious injury, Do Not lean against the installed panel/door/glass.
- To prevent damage or serious injury: Do Not attempt to lift or move a heavy lite of glass alone. Use an assistant and/or a professional grade glass suction cup.
- The installation of some models may require drilling down into the threshold. Contact the manufacturer of the base, tub, or threshold material with any questions regarding the drilling of holes into their product.
- All drawings in this installation manual are for illustrative purposes only and are not drawn to scale.

TEMPERED GLASS WARNING

- Your Shower Door Glass Could Shatter Without Warning if Improperly Installed or Mishandled
- Do Not install or operate a shower door if the glass has chipped corners, slivered edges or is otherwise damaged and/or has been dropped or banged into a hard surface such as tile, marble or glass.
- **The main causes of tempered glass breakage are:**
 - Improper handling, storage or installation
 - Misuse/abuse
 - Lack of maintenance
 - Failure to replace damaged glass
 - **Improper handling during storage, unpacking and installation:**
 - Corners and edges are the most susceptible area to damage on a lite of tempered glass and should be protected and handled with care during storage, unpacking, installation and operation. A concentrated point of pressure or impact with a surface harder than itself may cause the tempered glass to shatter. The tempered glass may release immediately, within several hours or even days later.
 - **Incorrect installation of door hardware, rollers, hinges, channels, stopper or glass:**
 - Improper installation may include: loose hardware and/or lack of proper gaskets between the hardware and glass. Additionally, improper alignment of guide rails, wall profiles or other hardware during installation or operation may place stress on the glass edges and cause it to break.
 - This product must be installed by a professional and experienced installer familiar with the safe handling of tempered glass.
 - **Improper use of this product:**
 - Aggressively opening or closing the door may cause trauma to the glass, which can lead to breakage. This may occur immediately or hours or even days later.
 - **The shower door hardware and glass should be inspected periodically:**
 - Instruct the homeowner how to perform a periodic inspection of the shower hardware and glass - some minor adjustments may be necessary based upon the use (or misuse) of the shower door. Ensure that the hardware remains tight and that the door alignment and operation are correct. Any adjustments should be made upon discovery to prevent damage to the product.
 - Additional considerations should be given to the installation of frameless tempered glass products in households with young children or an elderly person due to an increased chance of improper handling. In such cases, alternatives such as shower curtains or grab bars should be considered.

GENERAL PREPARATION

- After opening all boxes and packages, read this introduction carefully. Check that all the items are included in the package by marking off the components on the “**Detailed Diagram of Product Components**” page. Examine all boxes and packages for shipping damage. If the unit has been damaged, has a finishing defect, or is missing parts; please contact our Customer Support department within 3 business days of the delivery date. **Please note that DreamLine® will not replace any damaged products or missing parts free of charge after 3 business days or if the product has been installed.** Please contact DreamLine® if you have any questions.
- **Please note that you should refer to your local building codes with questions on installation compliance standards. Building and plumbing codes may vary by location, and DreamLine® is not responsible for code compliance standards for your project and will not accept any returns.**
- If this unit is going to be installed in a new construction, install all the required plumbing and drainage before installing the shower. **Use a competent and licensed (if required by local code) plumber for all plumbing installation.**
- Make sure that prior to beginning the installation, the surfaces are leveled and solid and will be able to support the total weight of the unit. Also make sure the walls are at right angles. Irregular installation surface level, radius corners or improper angle of side walls will result in serious problems for your installation. Please note that some adjustments and drilling will be necessary during the installation process.
- Protect all primary surfaces of the product during installation. Never set your glass down directly onto a tile floor. Leave corner protectors in place until it is necessary to remove them. Always use a piece of wood or cardboard to protect the bottom edge and corners of the glass prior to and during installation.
- This unit must be installed upon a finished threshold and against finished walls.
- *DreamLine® shower doors are not designed to be installed into a fiberglass surround due to the radius corners and lack of a solid surface to mount the hardware.*

WARNING: TO AVOID THE RISK OF DAMAGE OR INJURY:

- **Follow all recommendations and requirements as shown in the installation instructions.**
- Perform a thorough inspection of the glass and all parts for any damage prior to installation. Any damage to tempered glass can cause breakage. **Do Not install damaged glass!**
- Do Not install or operate a shower or tub door if the glass has chipped corners, slivered edges or is otherwise damaged. Do Not install or operate a shower or tub door that has been dropped or banged into a hard surface such as tile, marble or glass.
- **CAUTION:** Contact with any hard surface can damage tempered glass and cause it to shatter.
- This product uses tempered glass. Glass cannot be cut after it has been tempered. **Do Not attempt to cut tempered glass.**
- DreamLine® Glass Shower doors, Tub doors, Inline panels, and Return panels can shatter due to improper handling or lack of maintenance. Conduct periodic inspections of glass and all parts for possible damage, missing or loose parts.
- Always wear proper safety equipment such as: safety goggles, work gloves and appropriate footwear during the installation process.
- **WARNING. Risk of leakage and/or damage.** Follow all instructions regarding the application of silicone sealant or caulk. Allow 24 hours for the sealant to cure before the initial use of the shower or tub product. Follow the silicone manufacturer's recommendations regarding the use of their product.
- **Thoroughly read these instructions before installing or using this product.**
- **Leave this manual for the end-user of the product.**



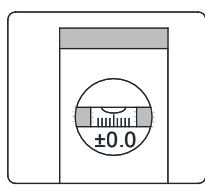
This product should be installed by someone familiar with the construction requirements for this type of project and the care necessary for the safe installation and operation of the product.



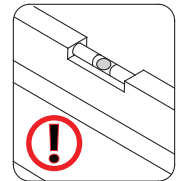
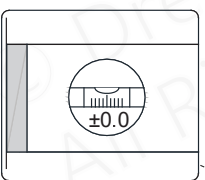
Professional Installation recommended.

Model Specific Preparation

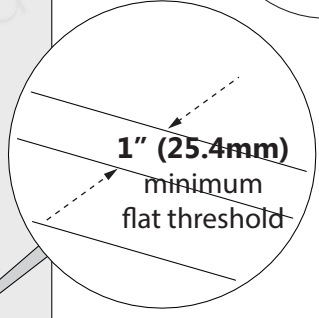
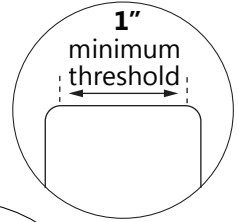
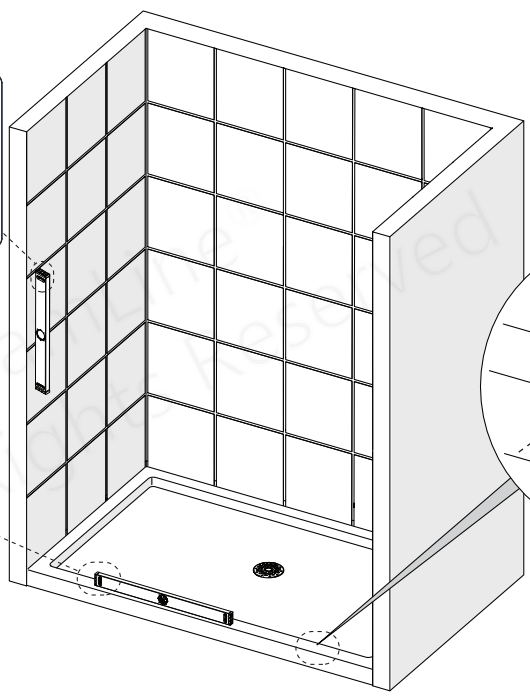
1" Out-of-Plumb Adjustment; Verify threshold and walls with a level



Threshold must be level

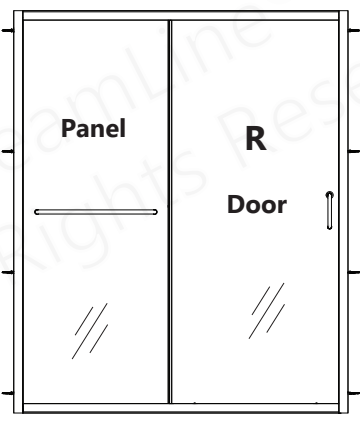
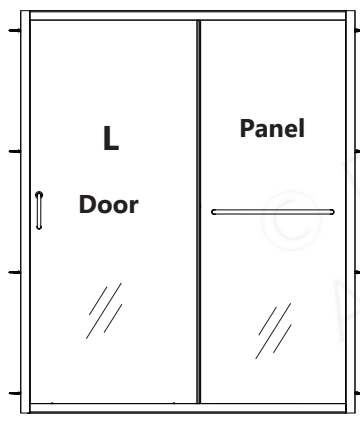
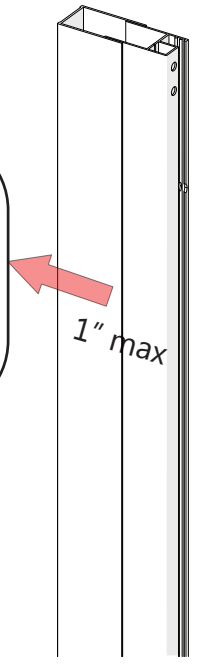


Threshold must be level



DO NOT attach the handle and/or towel bar to the glass until instructed to do so.
DO NOT attempt to use the handle/towel bar to lift the glass during installation. This may result in damage to the glass and/or serious injury. Always use a professional grade glass suction cup and an assistant.

This model has a 1" adjustment wall profile system for Out-of-Plumb wall conditions and overall width within model size when placed into finished opening. For more information, see the Adjustment Wall Profile System on page 4.



For models with **Frosted** glass, install the textured (Frosted) surface facing **towards** the **outside** of the shower.

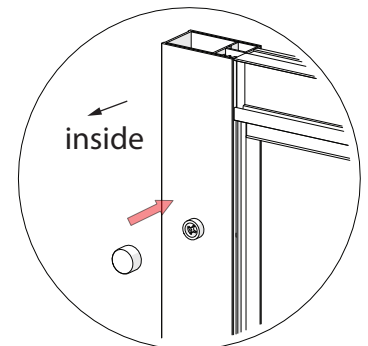
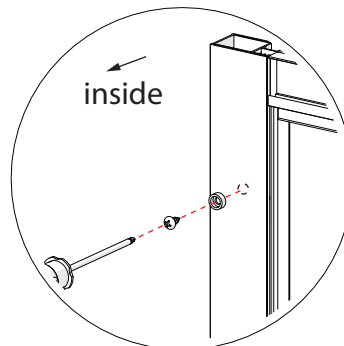
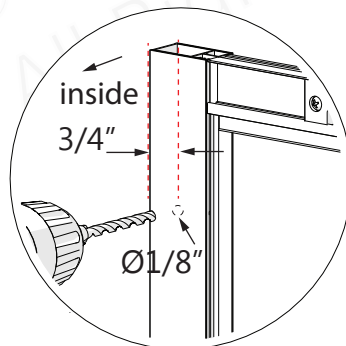
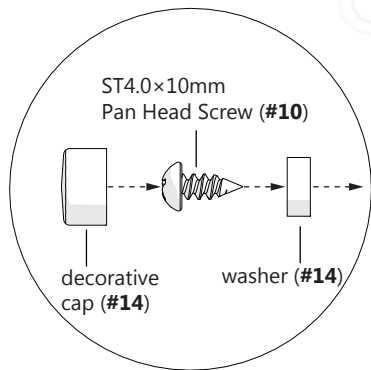
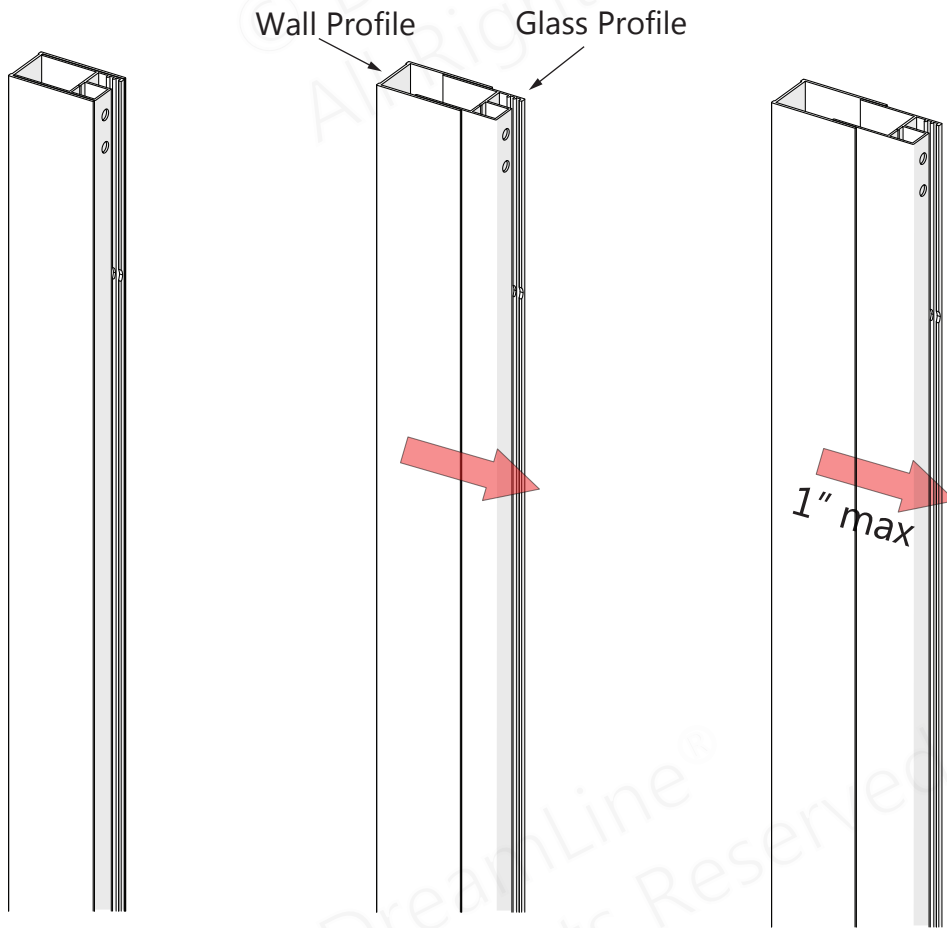
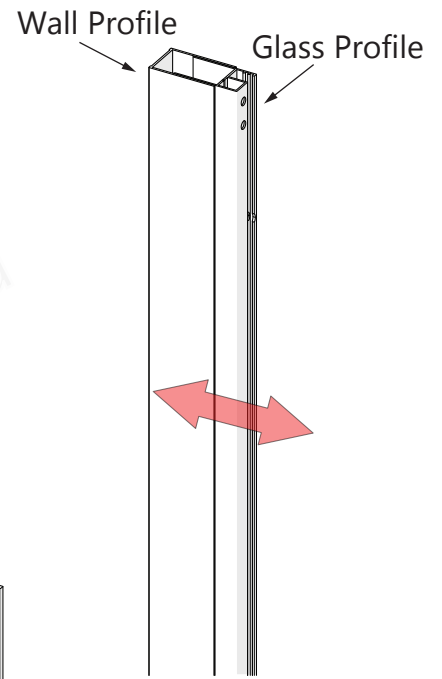


This door is reversible for right or left-hand door installation. The left-hand door installation is shown as an example throughout this manual. For the right-hand door installation, flip the assembly from top to bottom so that the panel is on the right side.

Adjustable Wall Profile System



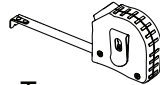
The Glass Profiles can be adjusted within the Wall Profiles for overall width or to correct for out-of-plumb conditions within the model size. Screw them together after making final adjustments.



Tools



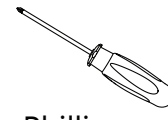
Level



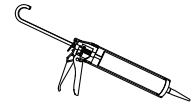
Tape Measure



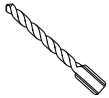
Pencil



Phillips Screwdriver



Silicone



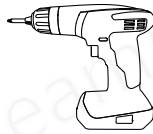
Drill Bit
Ø5/16"
(8mm)



Drill Bit
Ø3/16"
(4.76mm)



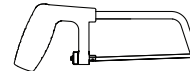
Drill Bit
Ø1/8"
(3mm)



Power Drill

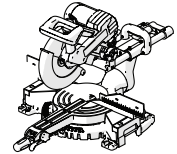


Soft Head Hammer



Hacksaw

OR



Miter Saw



Metal File



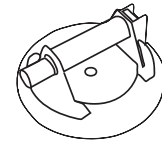
Extender Driver Bit



Safety Glasses



Work Gloves



Professional-grade
Glass suction cup



To be sure that the correct model size has been ordered, measure the finished opening before proceeding with the installation.

Cover the shower/tub drain with tape prior to installation to prevent the loss of screws or small parts.

To prevent stripping the screw heads, set power drill to a low setting when installing screws.

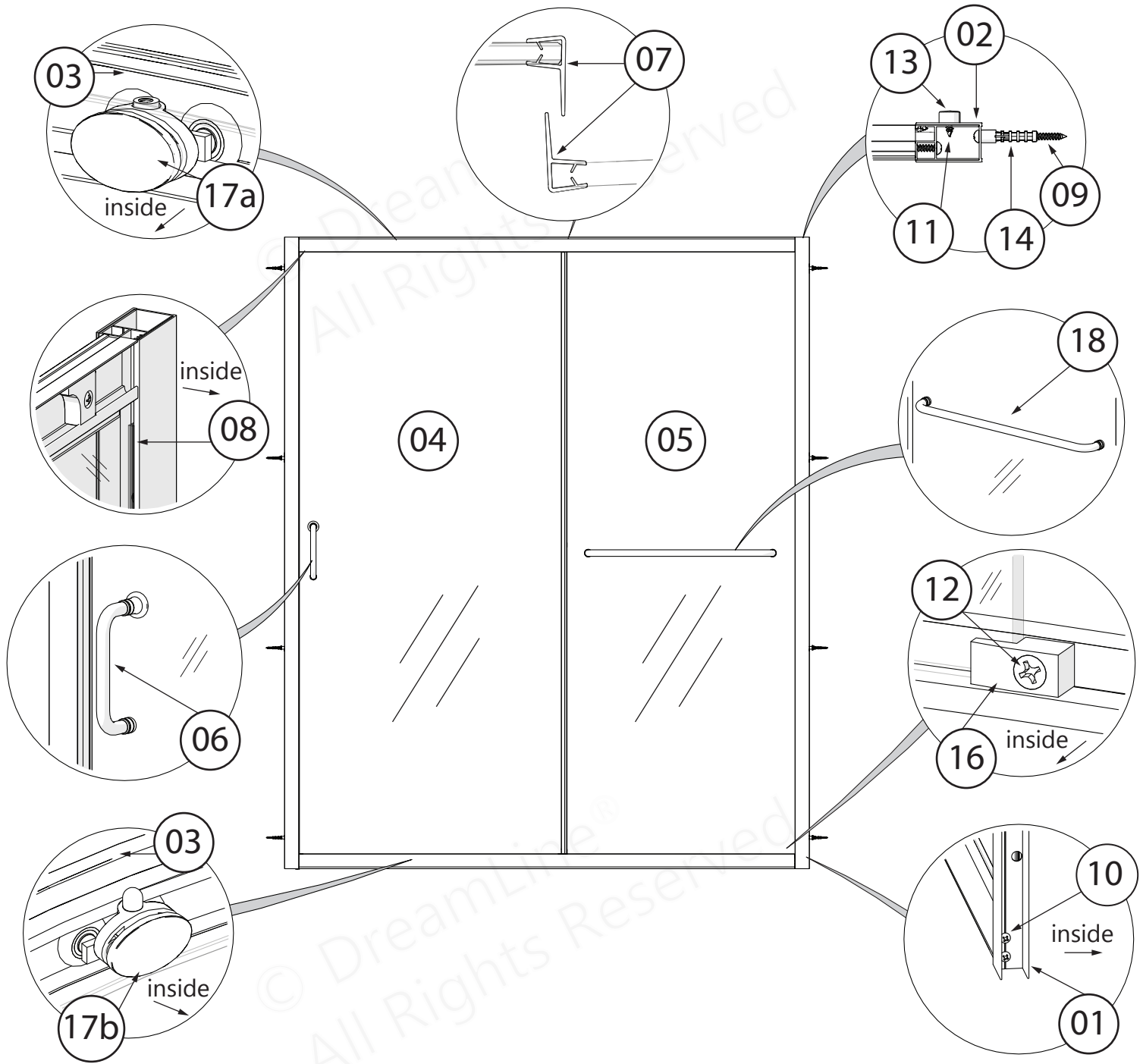


Unpack your unit carefully and inspect it. Lay it out and identify all parts using the **Detailed Diagram** on **page 6** and the included packing list in this manual as a reference. Before discarding the carton, check for small hardware bags that may have fallen to the bottom of the box. If any parts are damaged or missing, please contact DreamLine® for replacement. The shipping boxes may contain extra parts not used in your model configuration.



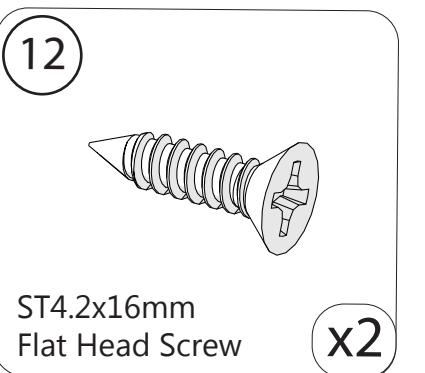
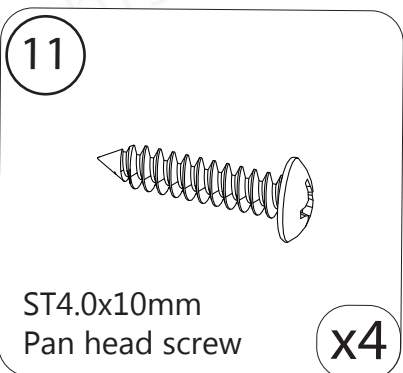
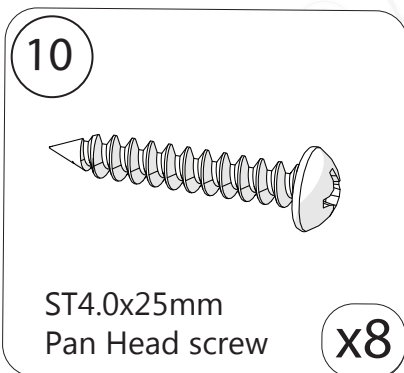
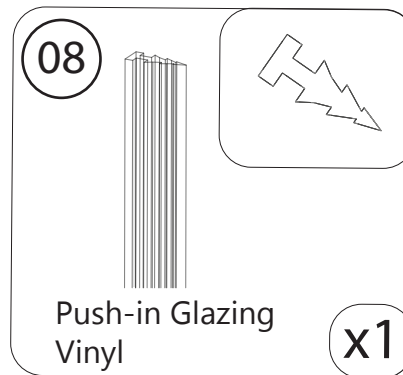
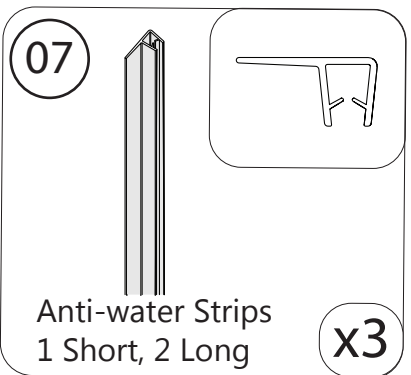
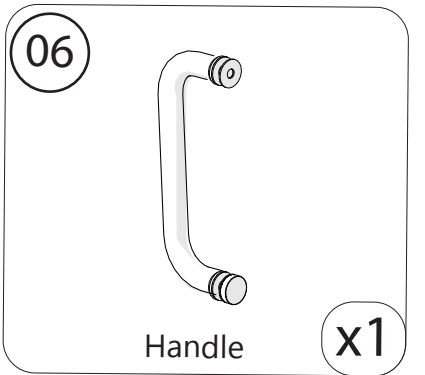
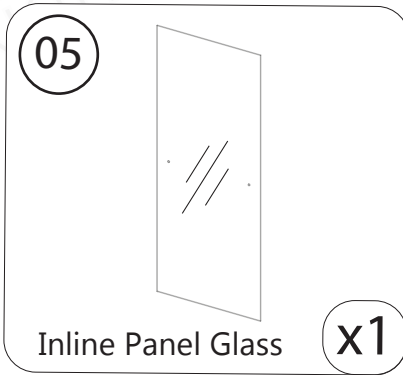
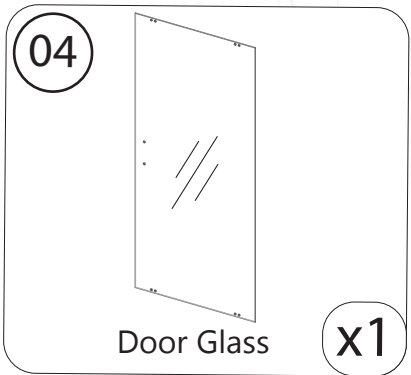
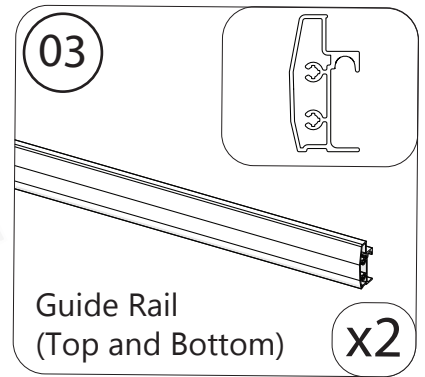
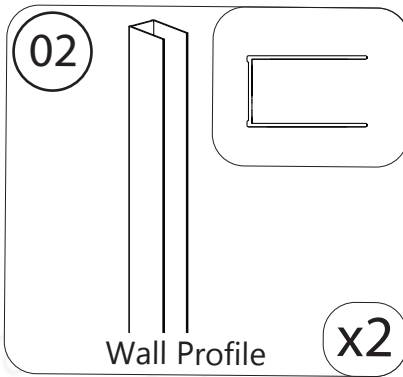
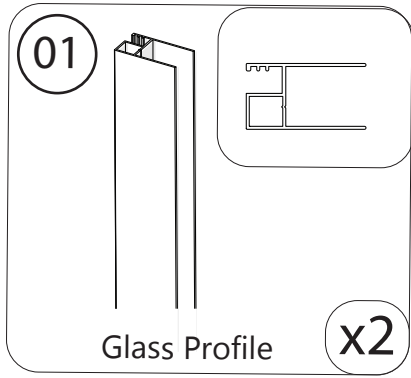
Retain these installation instructions for future reference.

Detailed Diagram of Shower Door Components

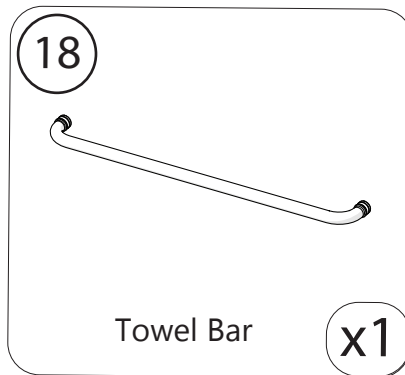
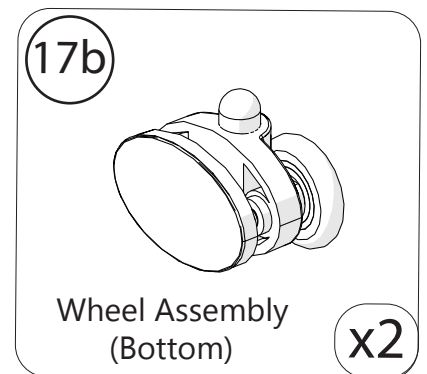
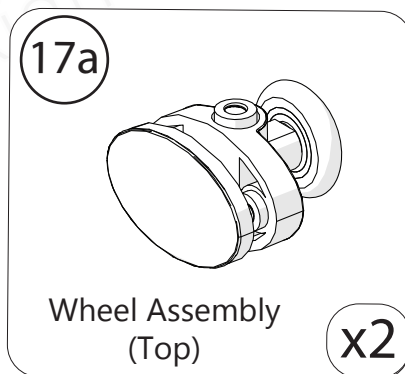
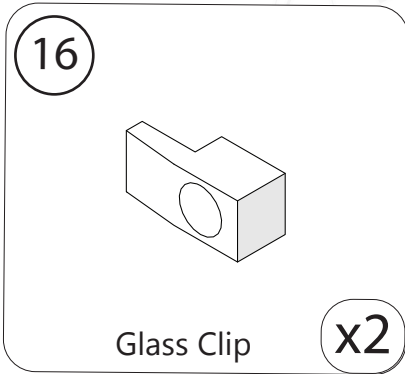
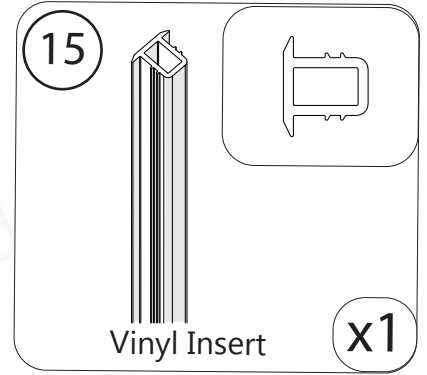
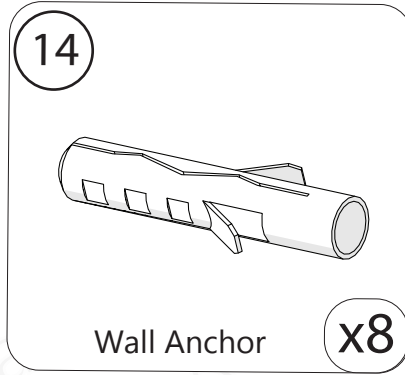
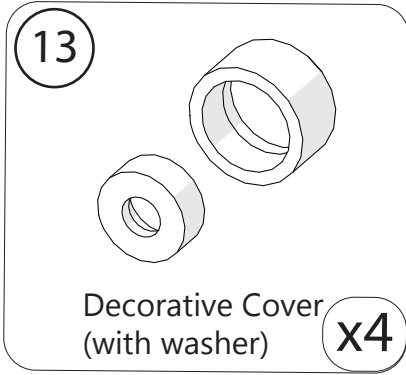


Left-hand door installation shown

Parts List



Parts List



1

Installation Steps

Top
*at model height
_____ "

Middle
_____ "

Bottom
_____ "

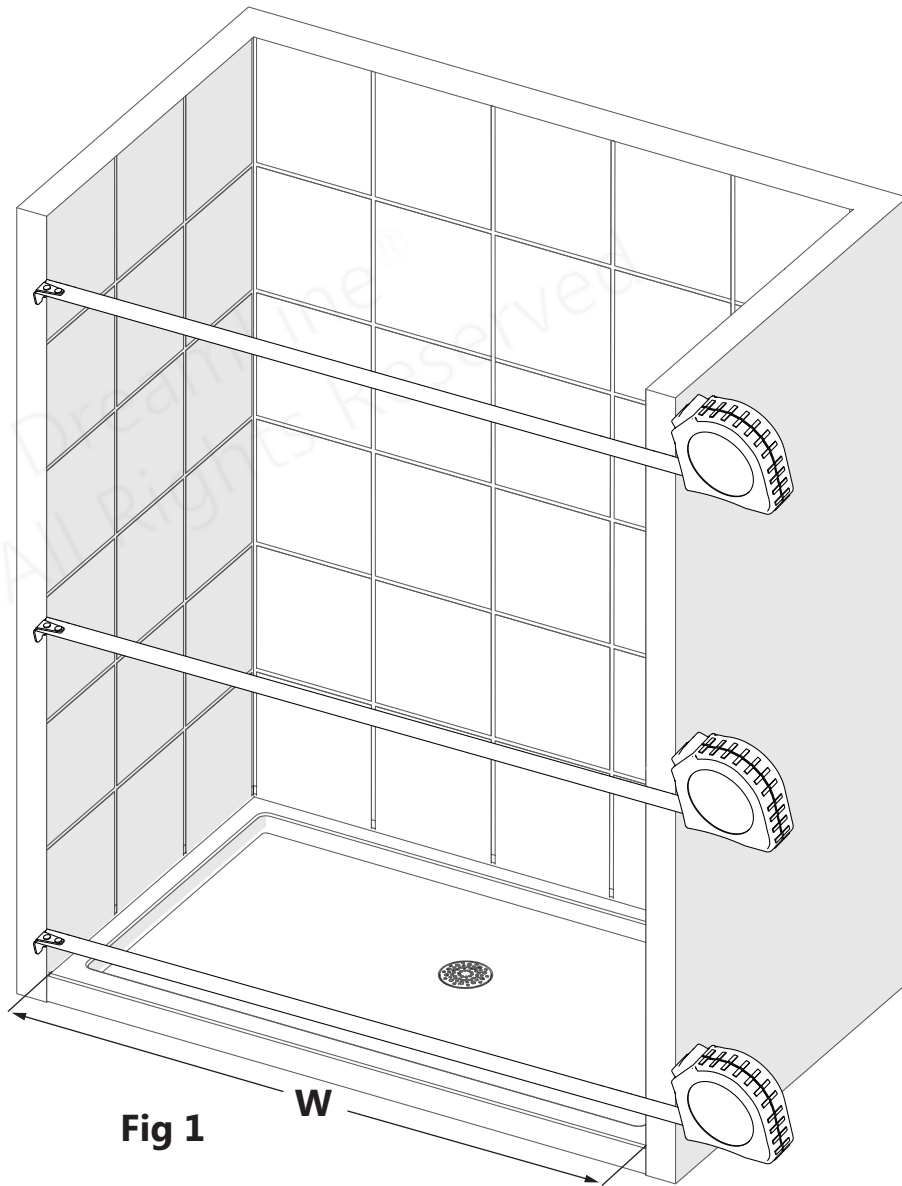


Fig 1

W



Use the **smallest** measurement from Fig 1 to determine the finished cut length of the **Guide Rails (#03)**.

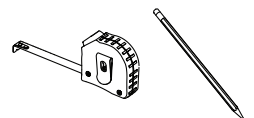


The **Top** and **Bottom Guide Rails (#03)** are shorter than the model size by design. They have been precut for the model width and are designed to fit between the wall profiles, (not wall-to-wall). See Table A below.

Table A

| Model Size | Precut Rail Length |
|------------------|--------------------|
| 48" (for shower) | 44-5/8" |
| 54" (for shower) | 50-5/8" |
| 60" (for shower) | 56-5/8" |
| 60" (for tub) | 56-5/8" |

Tools Needed



2



Cut the Top and Bottom Guide Rails (#03) from the Door End only, (which is the end farthest from the Glass Clip hole) and cut each rail to the same length (D) from the same end.

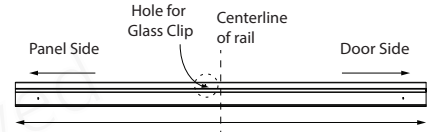


Table B

| Model Size | Distance from the Glass Bracket Hole to the: | |
|------------|--|-----------|
| | Panel Side | Door Side |
| 48" model | 21-3/8" | 23-1/4" |
| 54" model | 23-7/8" | 26-5/8" |
| 60" model | 26-7/8" | 29-3/4" |

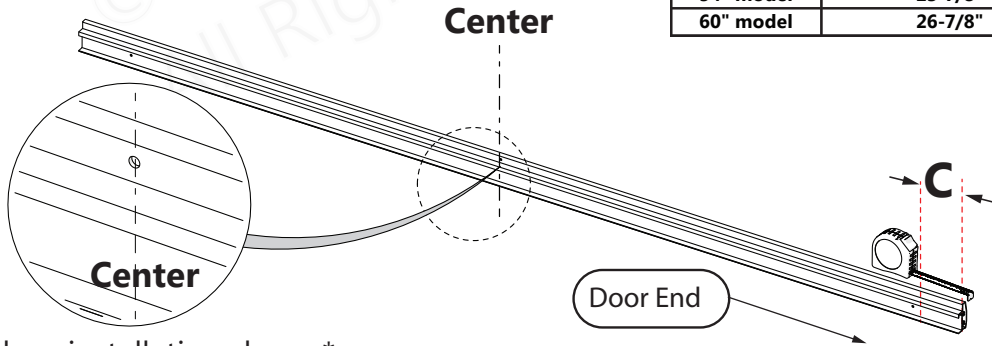


Fig 2a

Left-hand door installation shown*

CUTTING FORMULA: FINISHED OPENING - 3-3/8" = FINISHED CUT LENGTH "D"
*for easier installation into the opening, cut off an additional 1/4"

DO NOT Cut from the panel end!

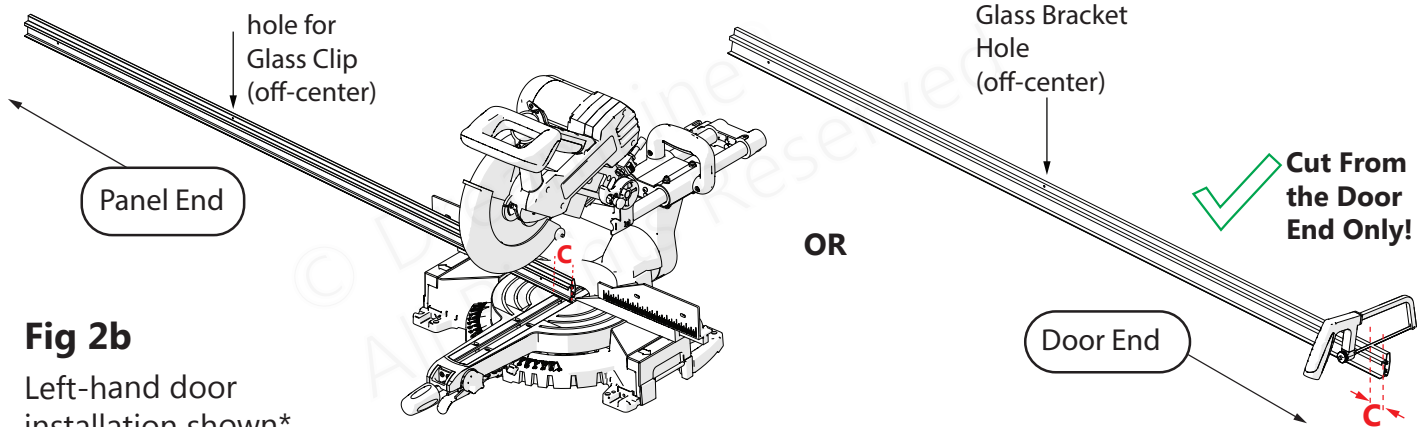
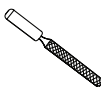
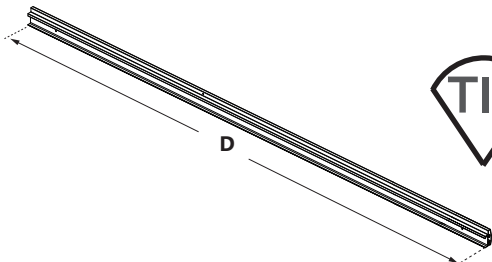


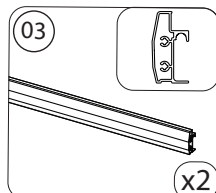
Fig 2b

Left-hand door installation shown*

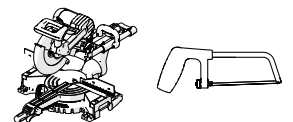


Use a metal file to deburr the cut end

Parts Needed



Tools Needed



3

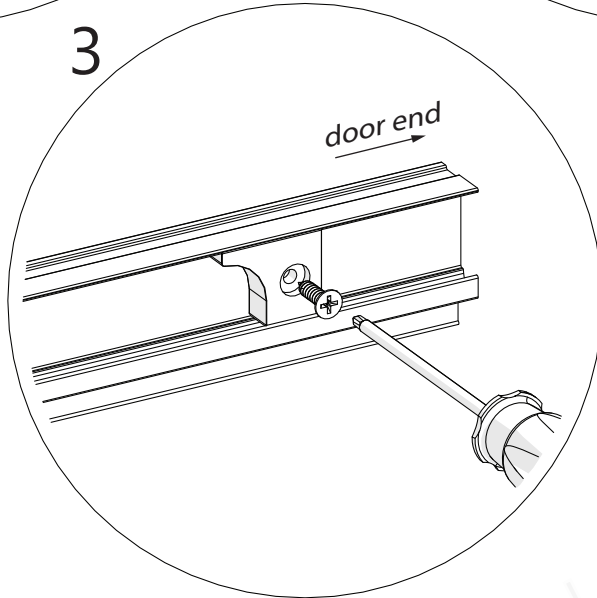
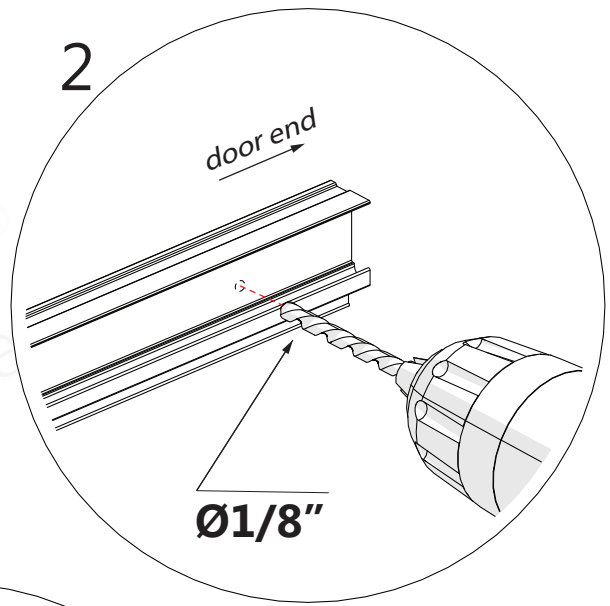
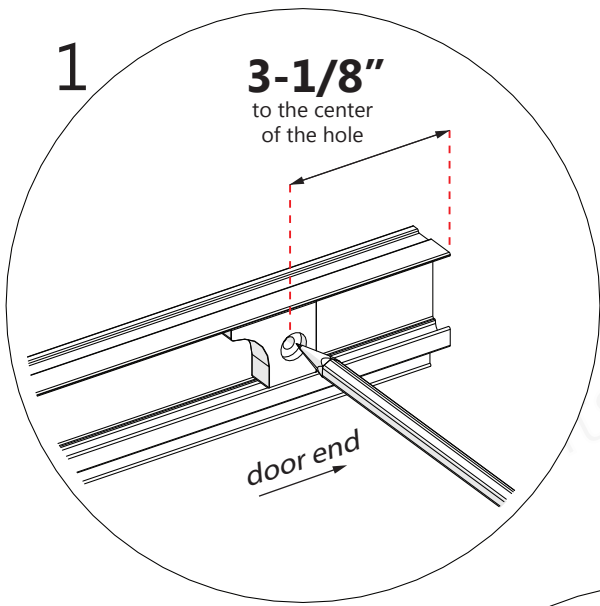
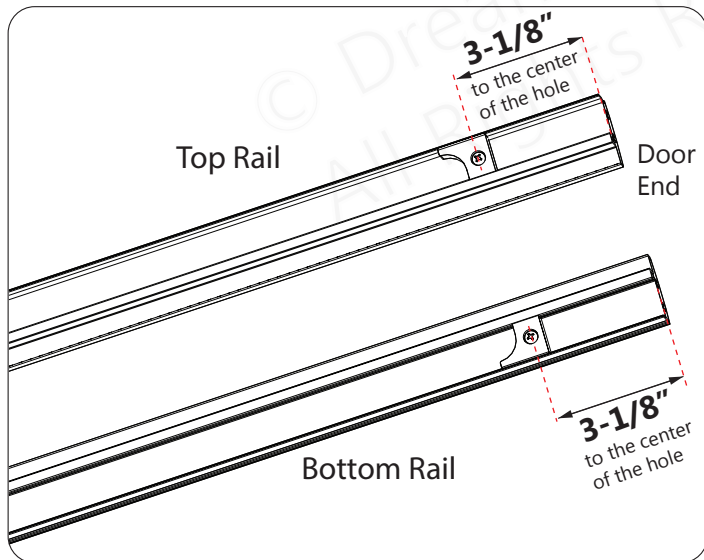
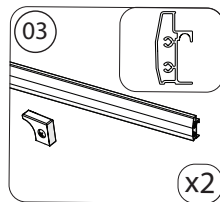


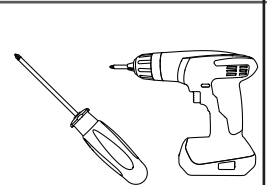
Fig 3



Parts Needed



Tools Needed



4

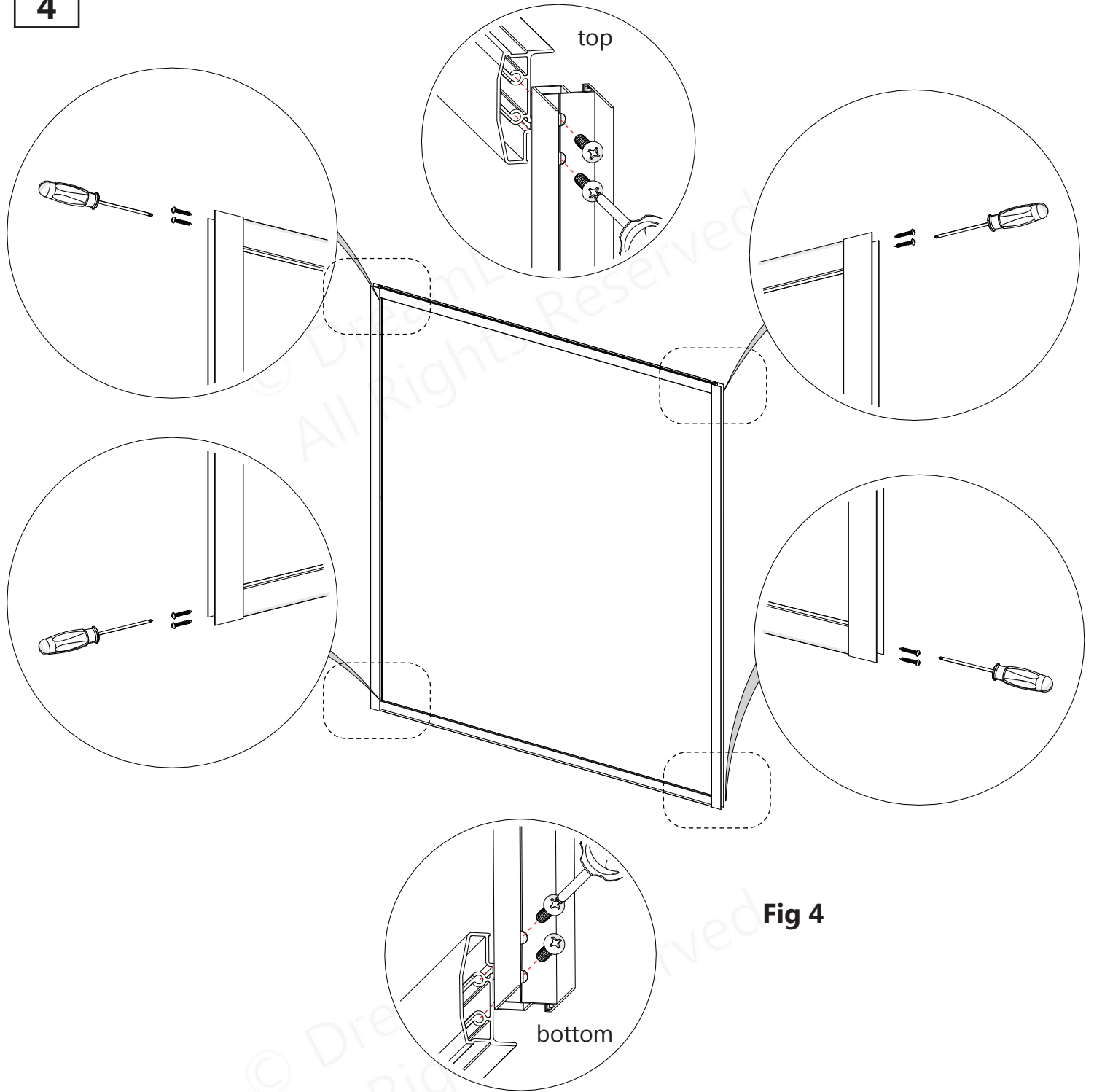
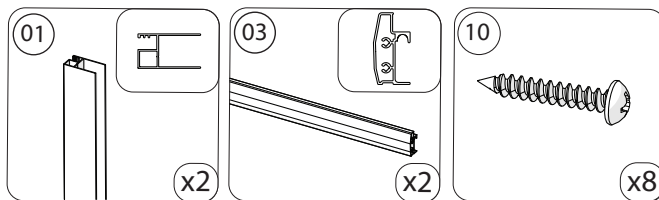


Fig 4

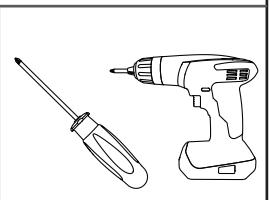


For ease of installation: Add liquid soap, wax, or lubricant to the screws prior to attaching the **Glass Profiles (#01)** to the **Guide Rails (#03)**.
Use a low setting on the screw gun to prevent stripping the screws.

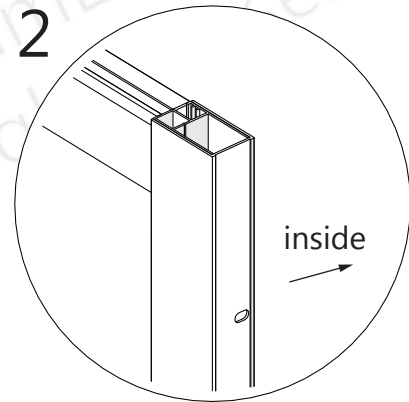
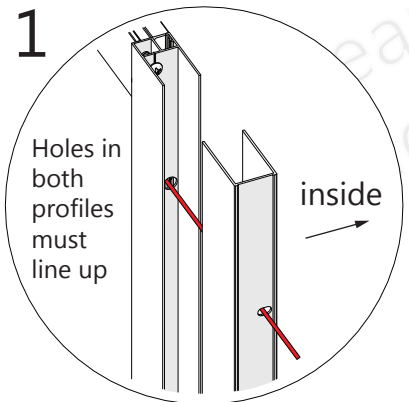
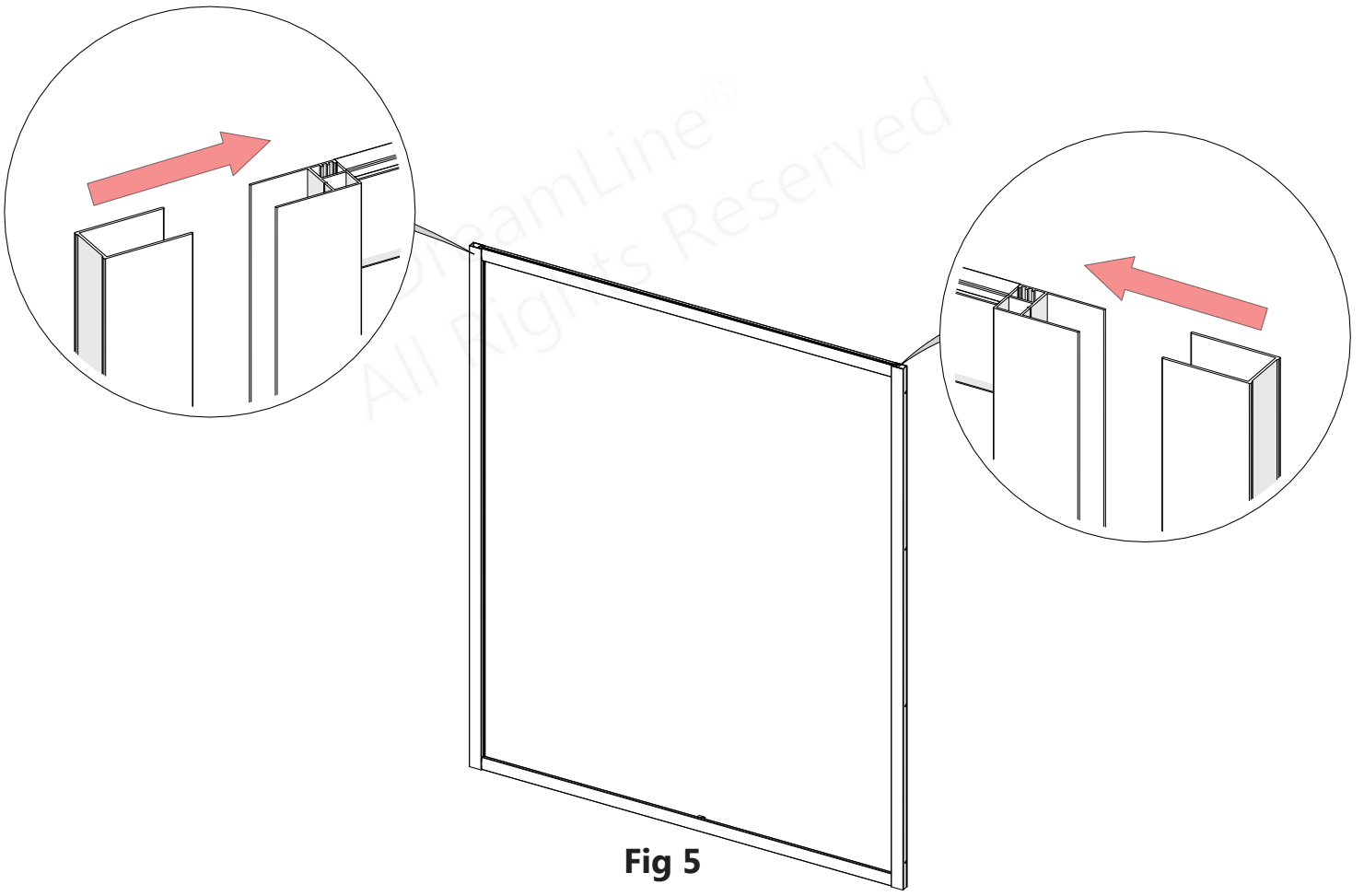
Parts Needed



Tools Needed

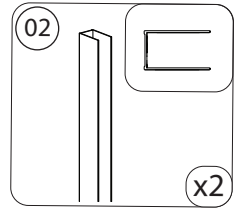


5



The holes in the **Wall Profiles (#02)** are off-center, and must line up with the corresponding holes in the **Glass Profiles (#01)**.

Parts Needed



6



At this step, decide on the handing of the door and panel prior to placing the assembly into the opening to mark the location of the holes for drilling. Flip the assembly so that the **Inline Panel Glass (#06)** will be installed on the desired side of the opening.

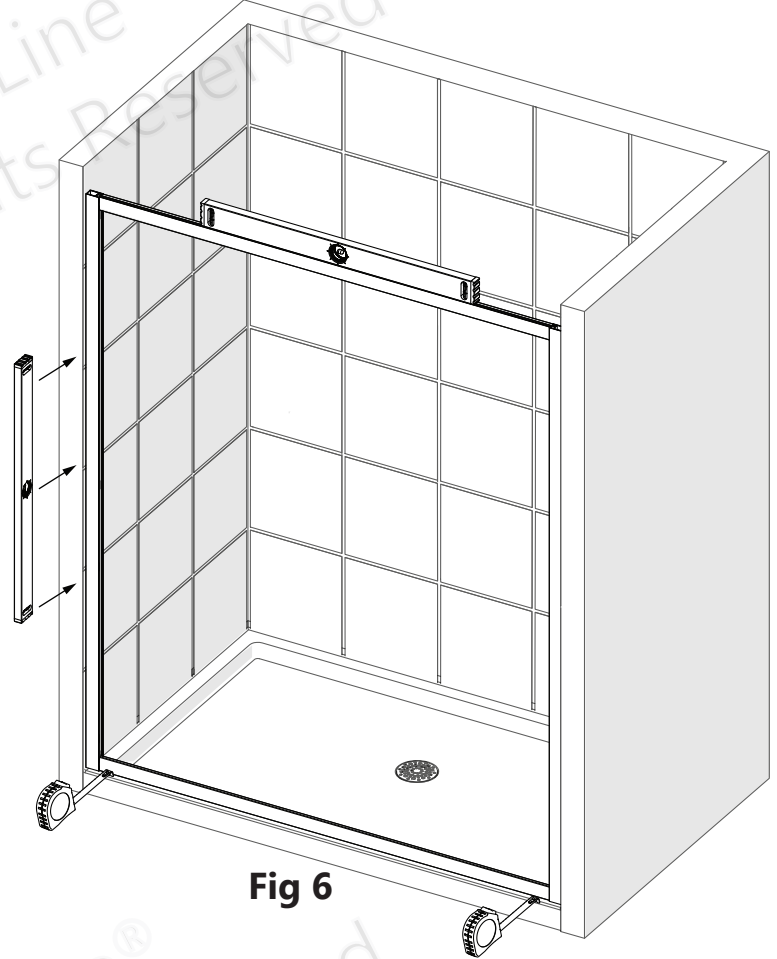
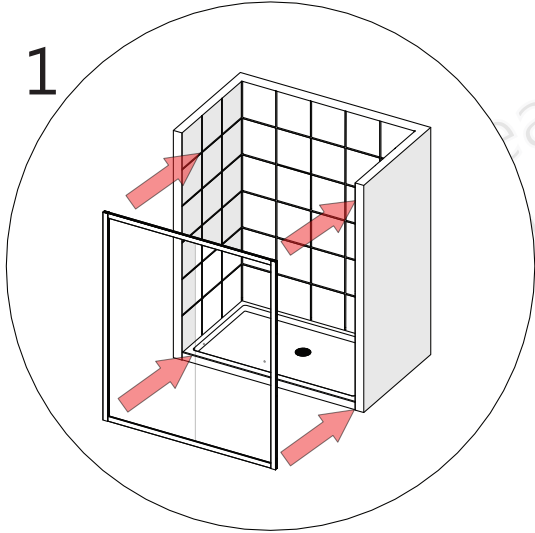
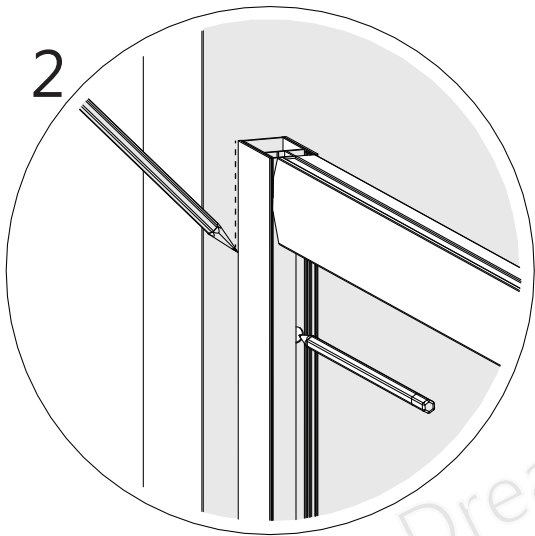
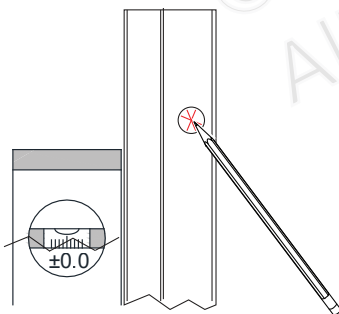


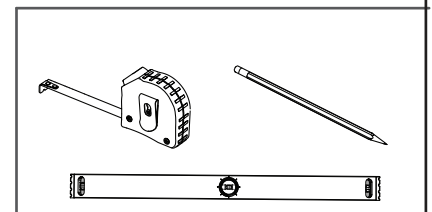
Fig 6



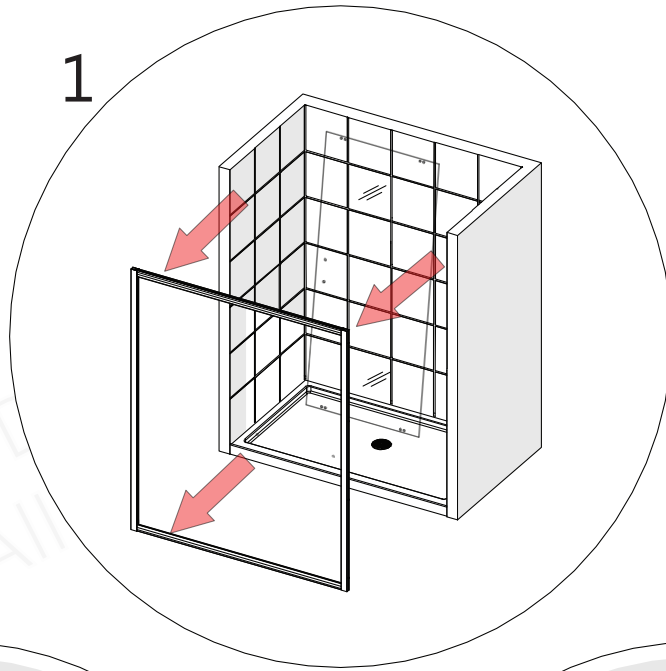
Before marking the holes for drilling, confirm the assembled frame is tight to the threshold, the **Wall Profiles(#02)** are tight to the walls and the frame is level and plumb.



Tools Needed

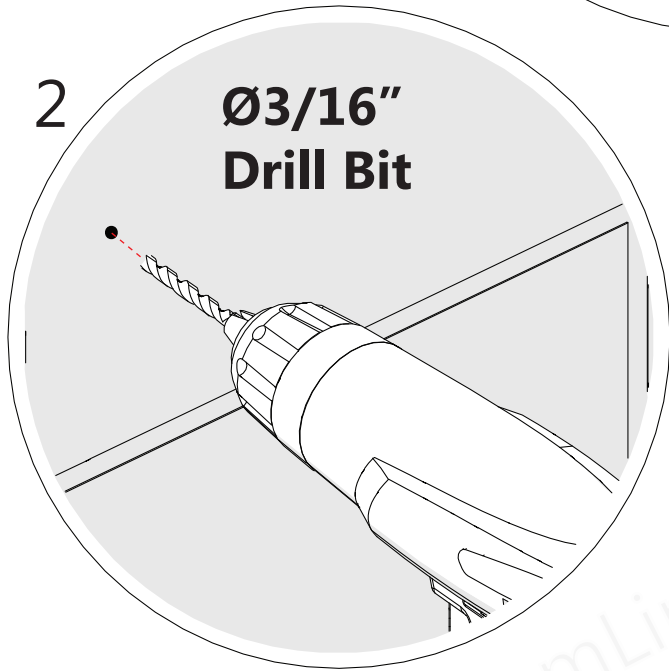


1



2

Ø3/16"
Drill Bit



3*

***see NOTE**

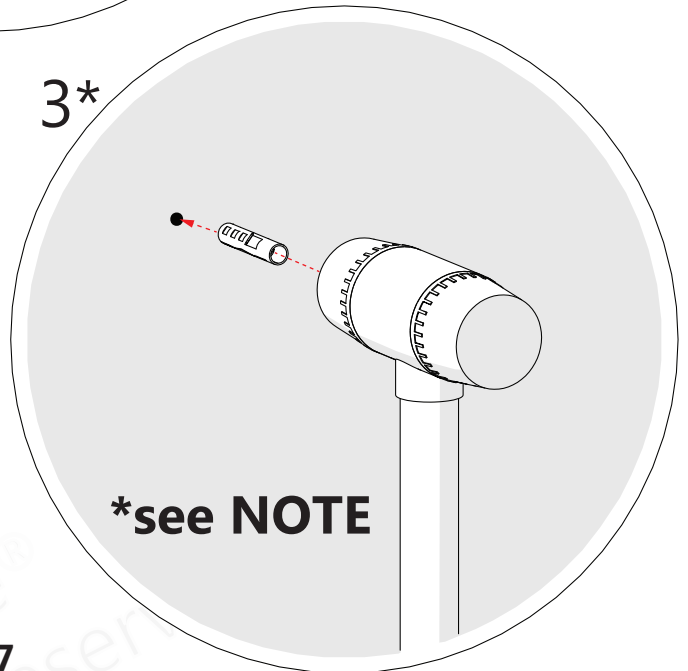


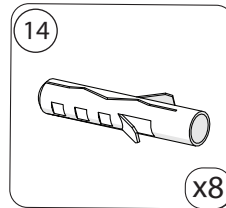
Fig 7

NOTE

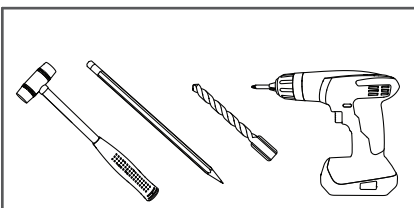
If a stud is present behind the wall, drill a hole using a **Ø3/16"** drill bit up to the stud, drill an **Ø1/8"** pilot hole into the stud and **do not** use wall anchors.

If no stud is present, drill the hole using a **Ø5/16"** drill bit and insert **Wall Anchors (#14)** as shown in Fig 7.3.

Parts Needed



Tools Needed



8



Before securing the frame assembly, bring the **Door Glass (#04)** into the shower area and lean it safely against the wall, using padding to protect the glass, walls, and base. Make sure the handle holes on the **Door Glass (#04)** are on the correct side for installation. The **Wheel Assemblies (#17a/17b)** can be attached prior to setting the glass into the shower. (see **Step 11**)

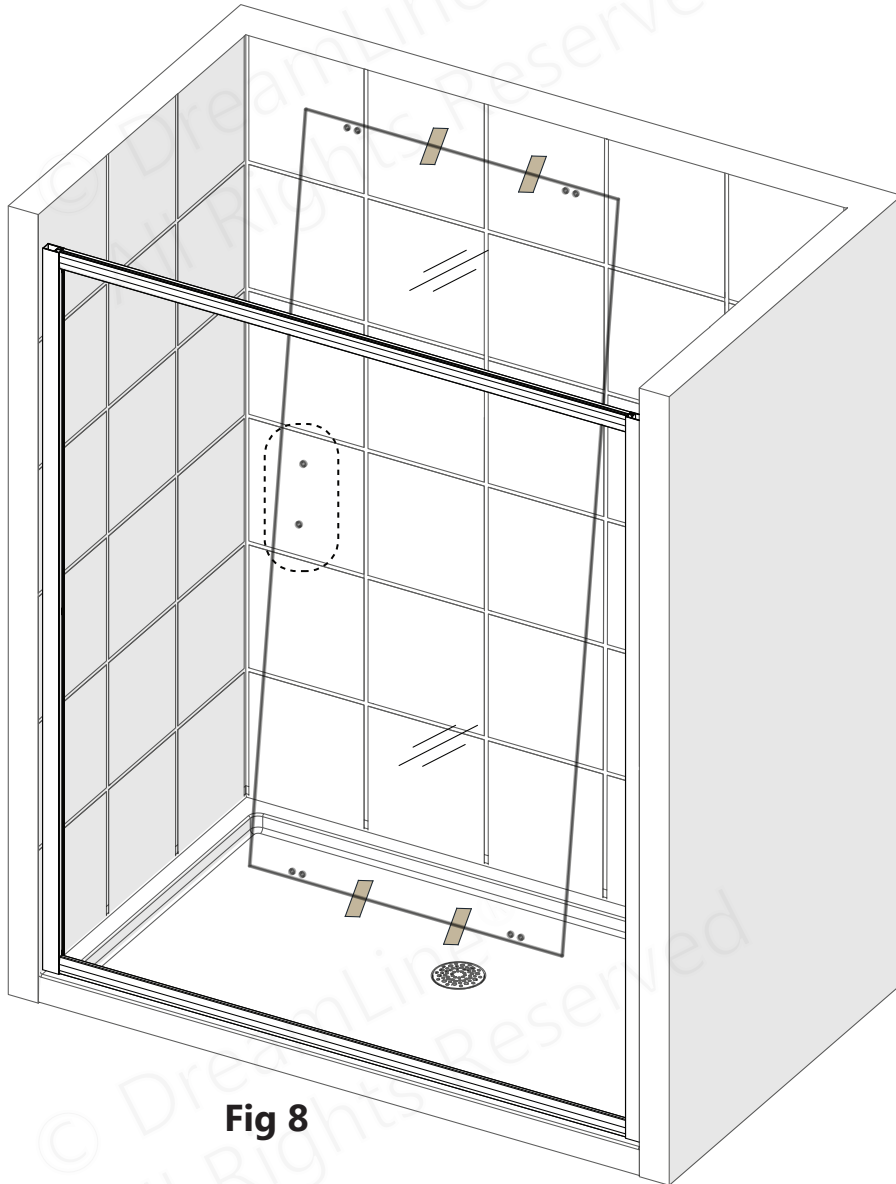
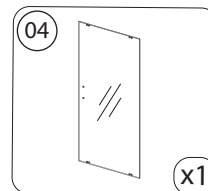


Fig 8

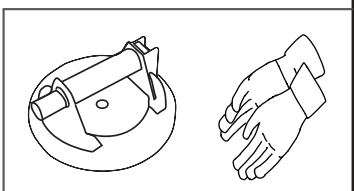


DO NOT install the towel bar or handle onto the glass until instructed. **DO NOT** attempt to lift the glass using the towel bar or handle. This could result in damage to the glass and/or serious personal injury. Always use an assistant or a professional grade suction cup when handling heavy glass.

Parts Needed



Tools Needed



9

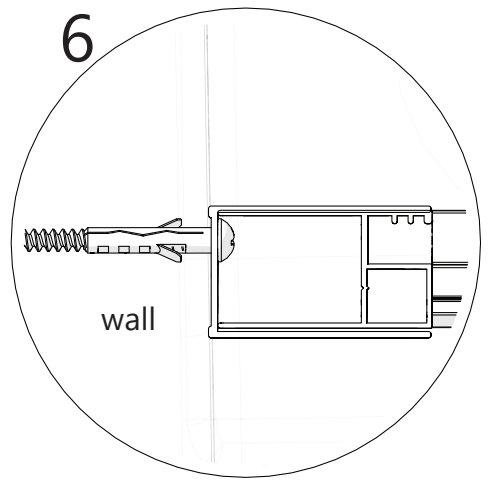
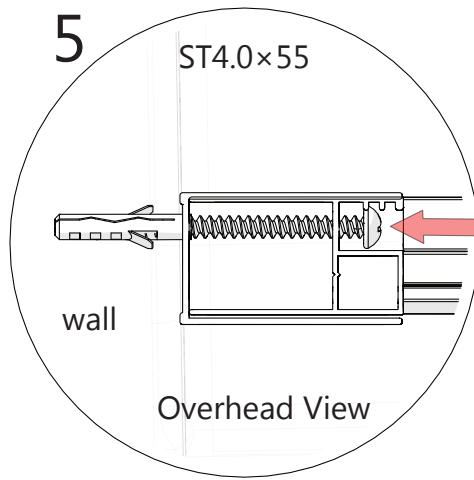
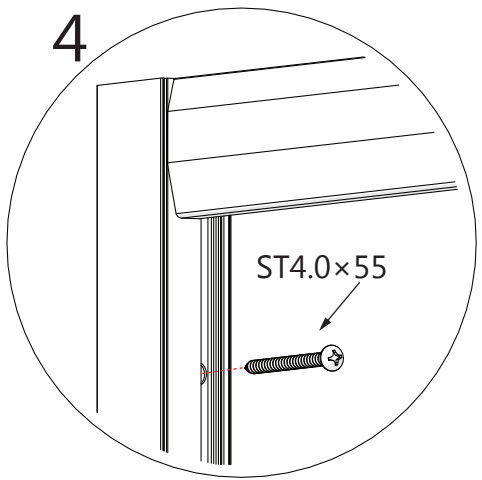
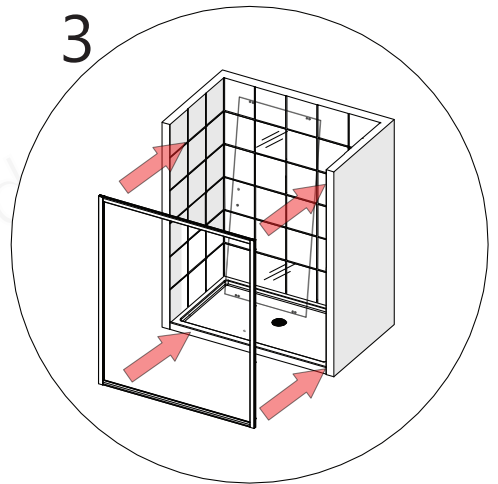
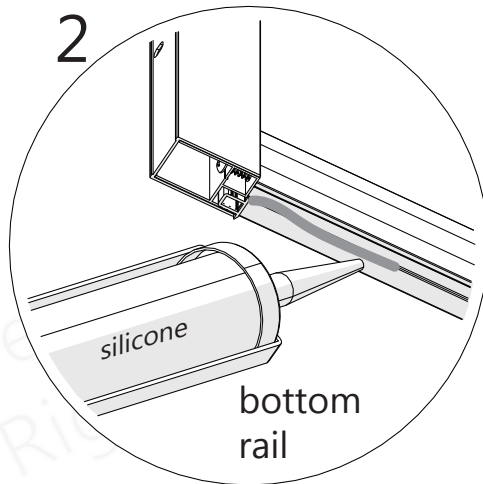
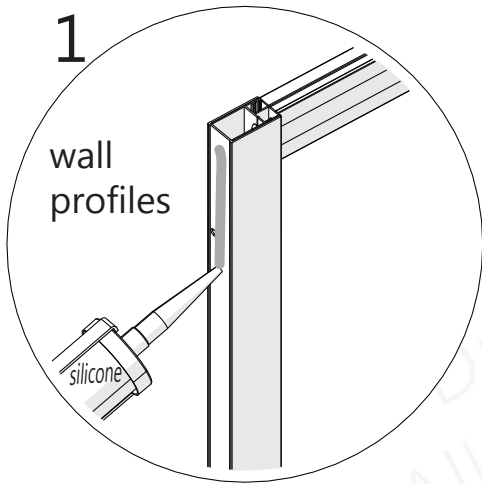



Fig 9

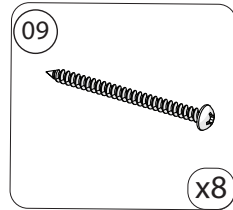


 Extender Driver Bit recommended for the installation of these screws.

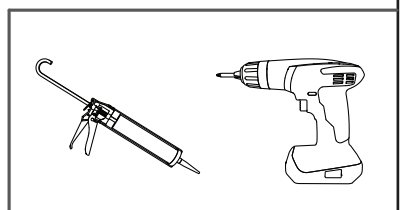


The screwheads on the **ST4.0x55 Pan Head Screws (#09)** will pass through the larger holes in the **Glass Profiles (#01)** and then secure the **Wall Profiles (#02)** to each wall.

Parts Needed



Tools Needed



10

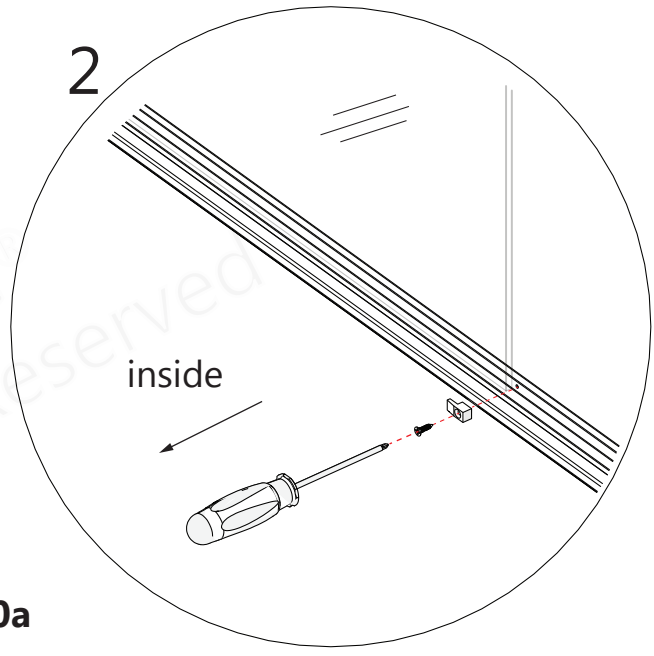
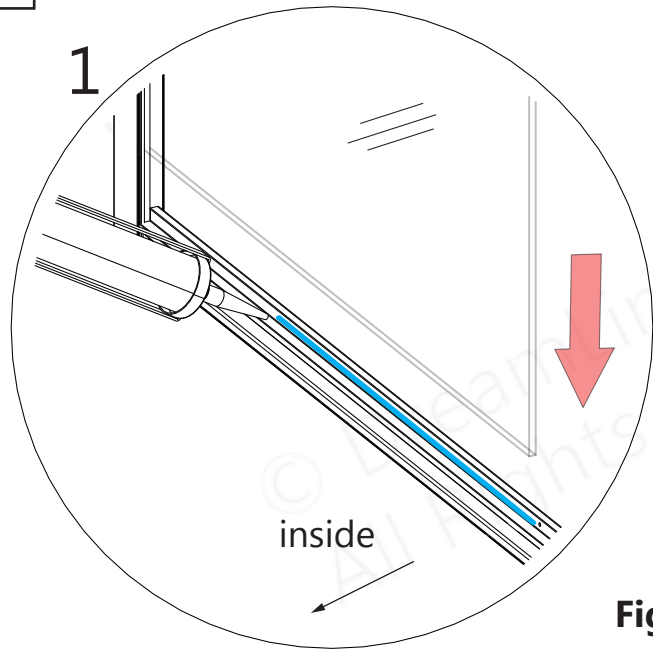


Fig 10a



For models with **Frosted** glass, install the textured (Frosted) surface facing **towards** the **outside** of the shower.



Use caution when installing the **Inline Panel Glass (#05)** into the frame to prevent damage to the edges of the glass.

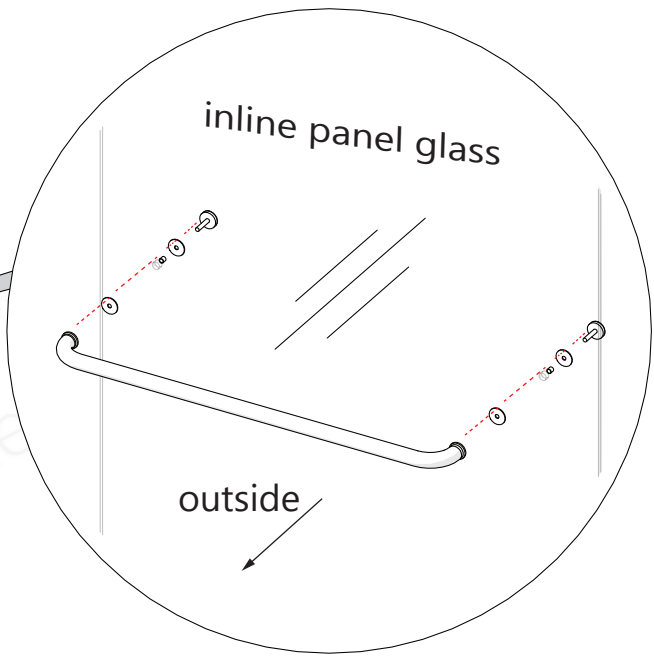
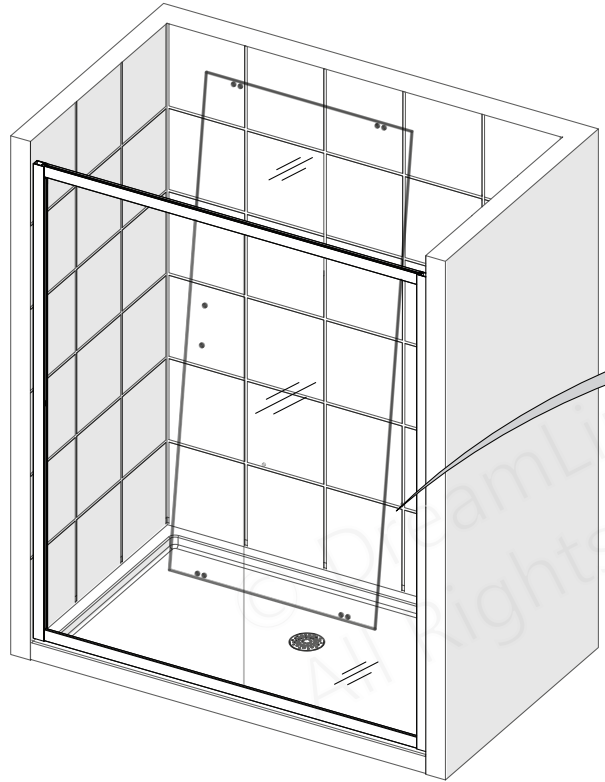
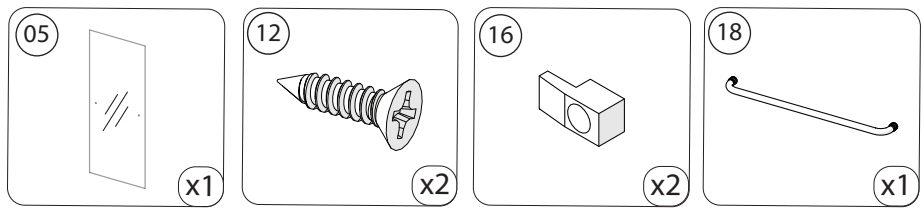
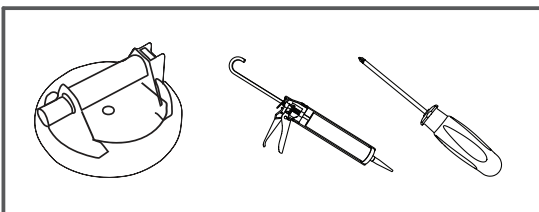


Fig 10b

Parts Needed



Tools Needed



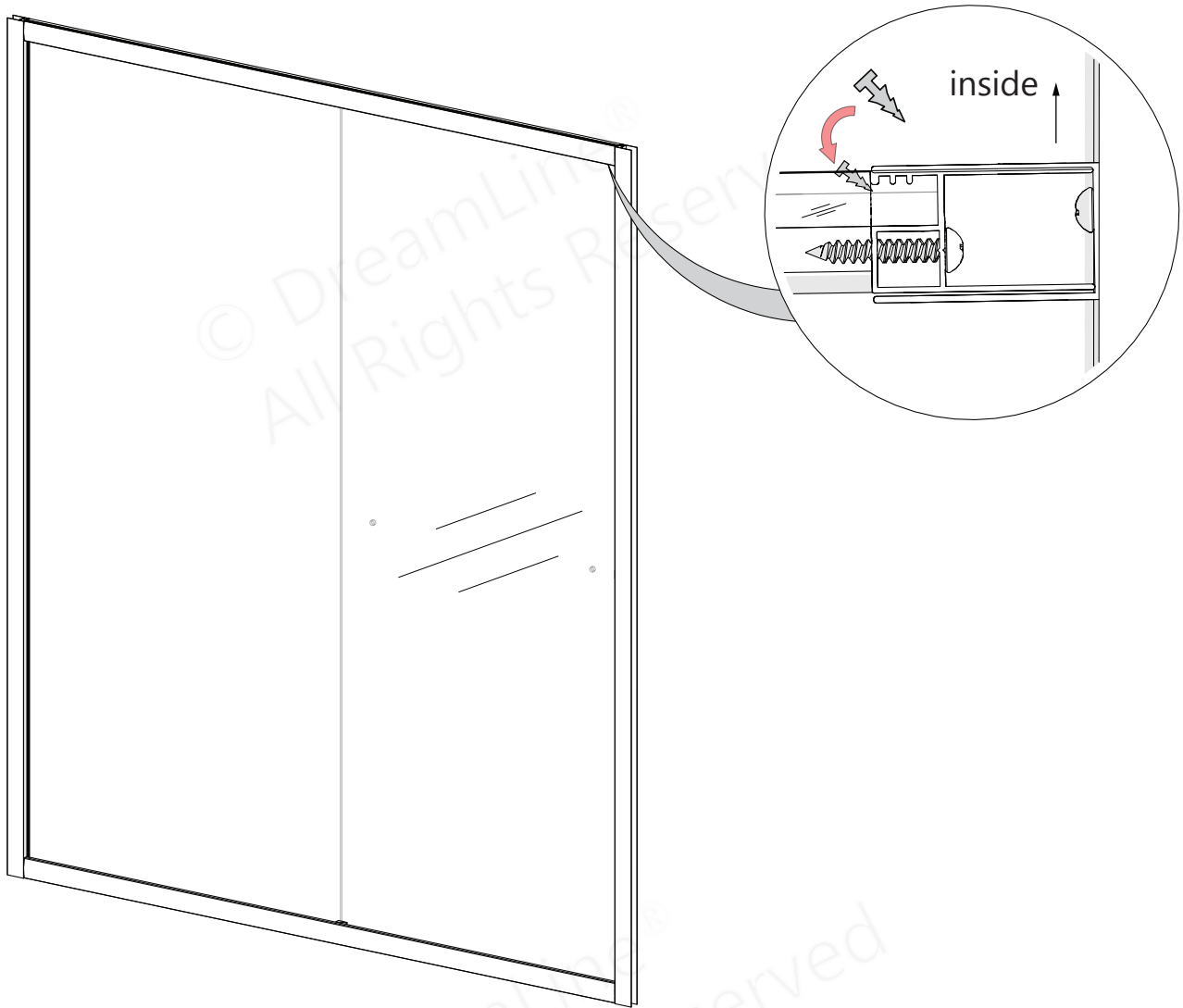


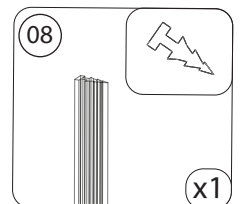
Fig 11

Right-hand panel installation shown



To prevent scratching or damaging the glass and aluminum, **DO NOT** use a screwdriver or other metal tool to install the **Push-in Glazing Vinyl (#08)**. Use a plastic putty knife or similar if necessary.

Parts Needed



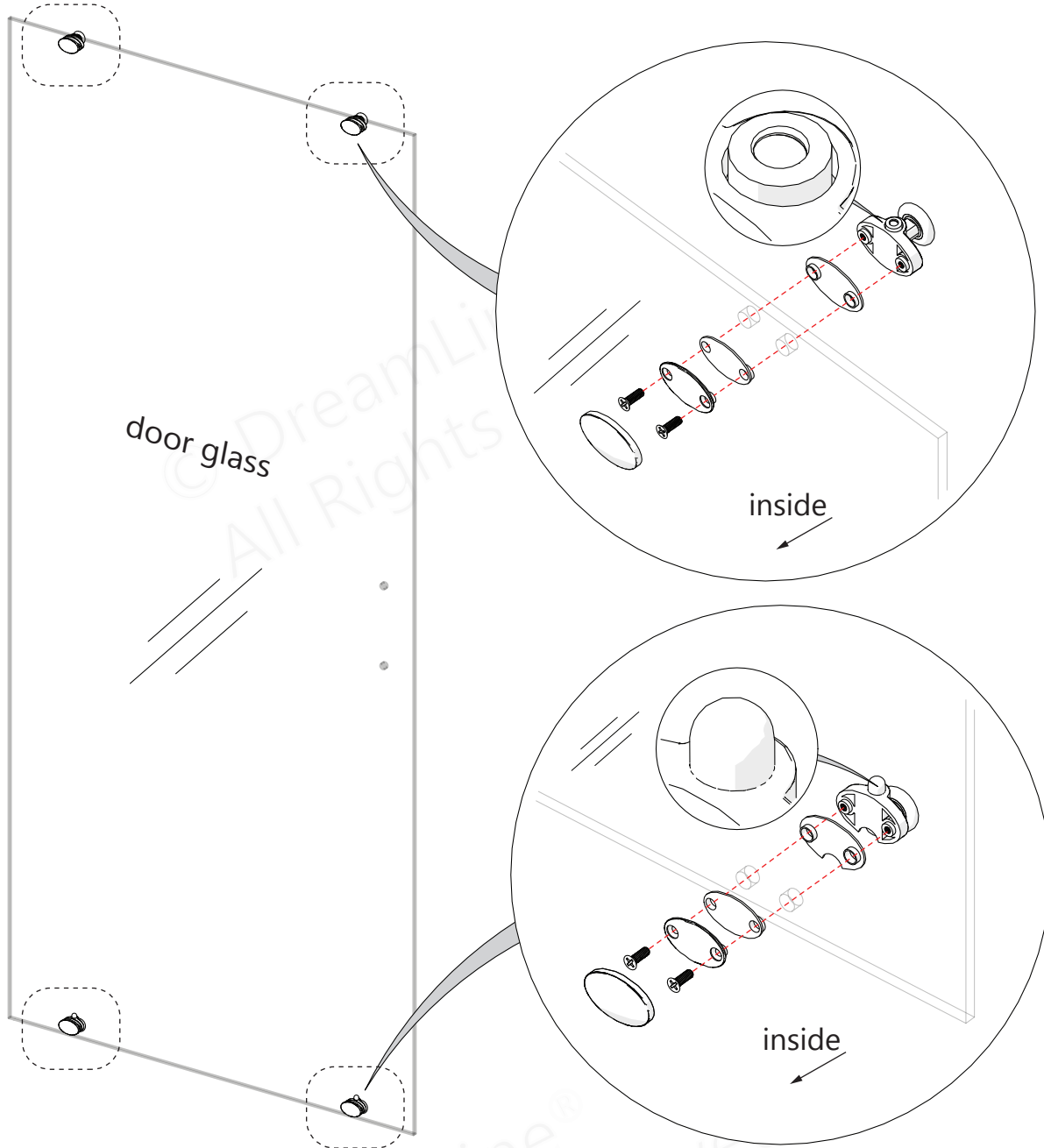


Fig 12

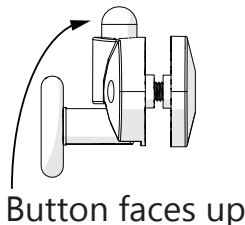
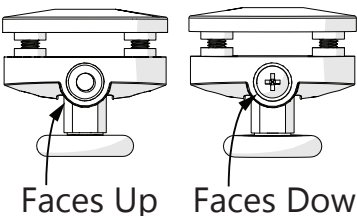
*Left-hand door installation shown



The lock nut on the **Top Roller Assembly (#17a)** and the push-button on the **Bottom Roller Assembly (#17b)** should both be installed pointing up. **DO NOT** overtighten the **Roller Assemblies (#17a/17b)**.

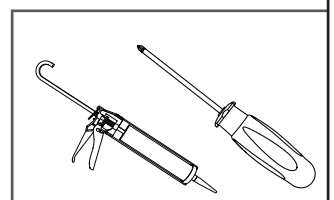
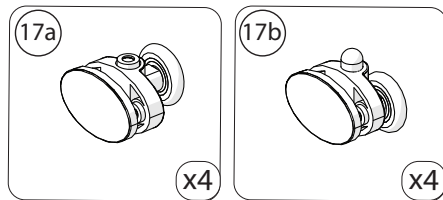
Top Wheels

Bottom Wheels



Parts Needed

Tools Needed



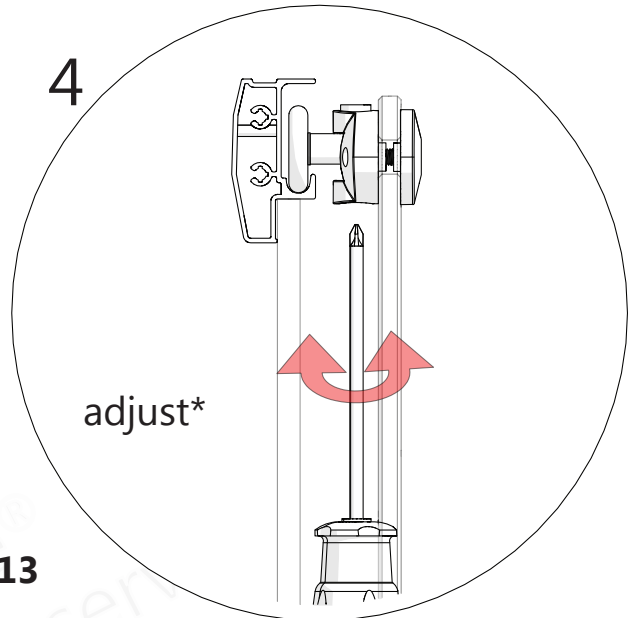
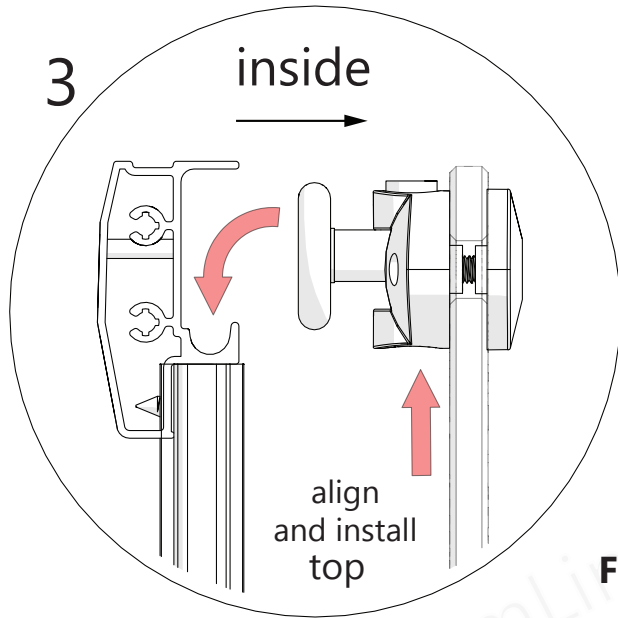
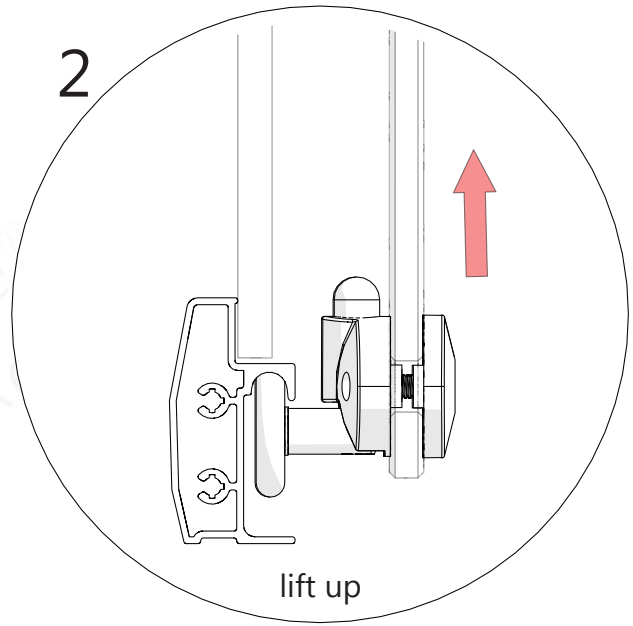
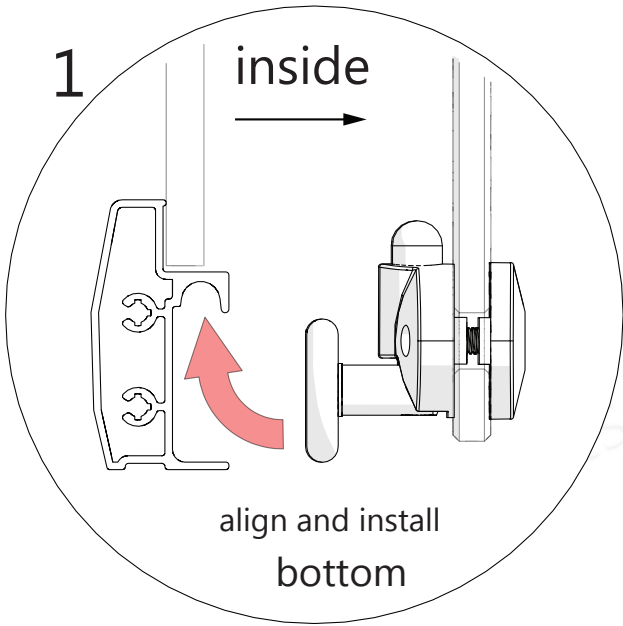
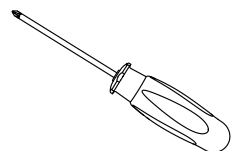


Fig 13



*If necessary: Adjust the **Top Roller Assemblies (#17a)** for smoother operation.

Tools Needed



Handle and Vinyl Installation

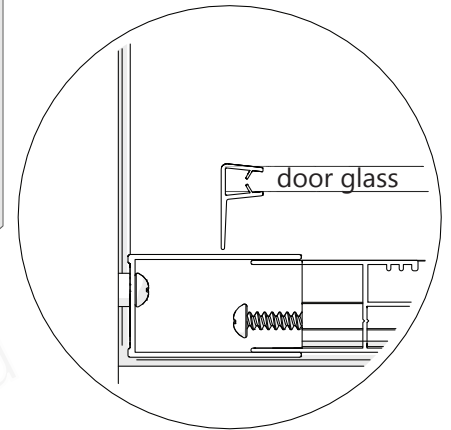
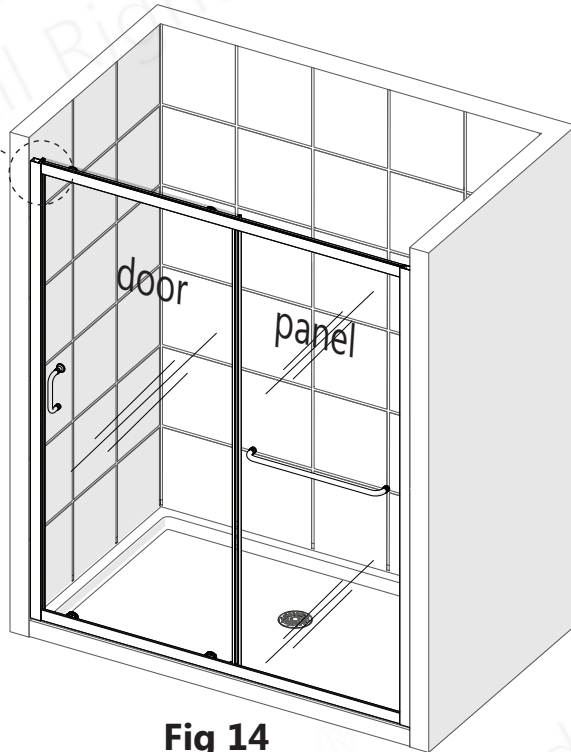
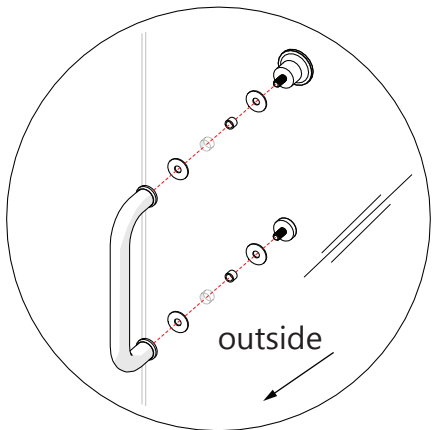
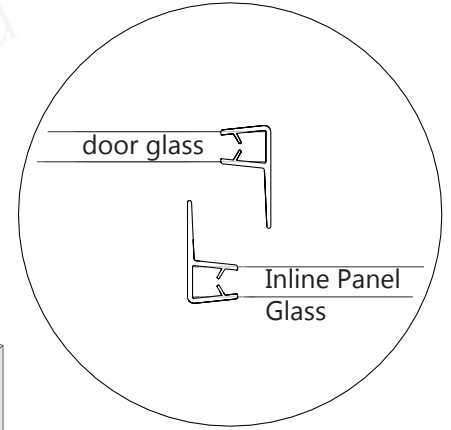
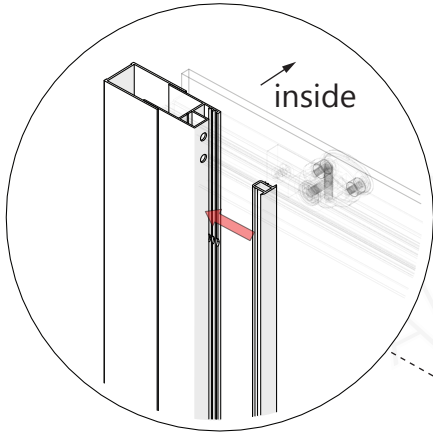
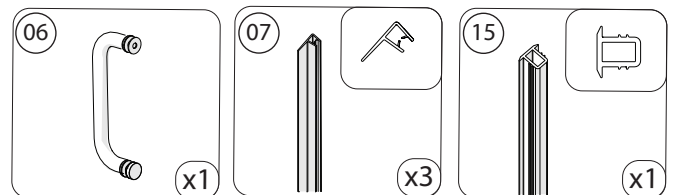


Fig 14

NOTE

The longer Vertical Vinyl Seals (#07) attach to the edges of the **Door Glass (#04)**; the shorter Vertical Vinyl Seal (#07) attaches to the edge of the **Inline Panel Glass (#05)**.

Parts Needed



Left-hand door installation shown



DO NOT drill the profiles throughout, **ONLY** through the first layer of the Wall Profile (#02) and Glass Profile (#01).

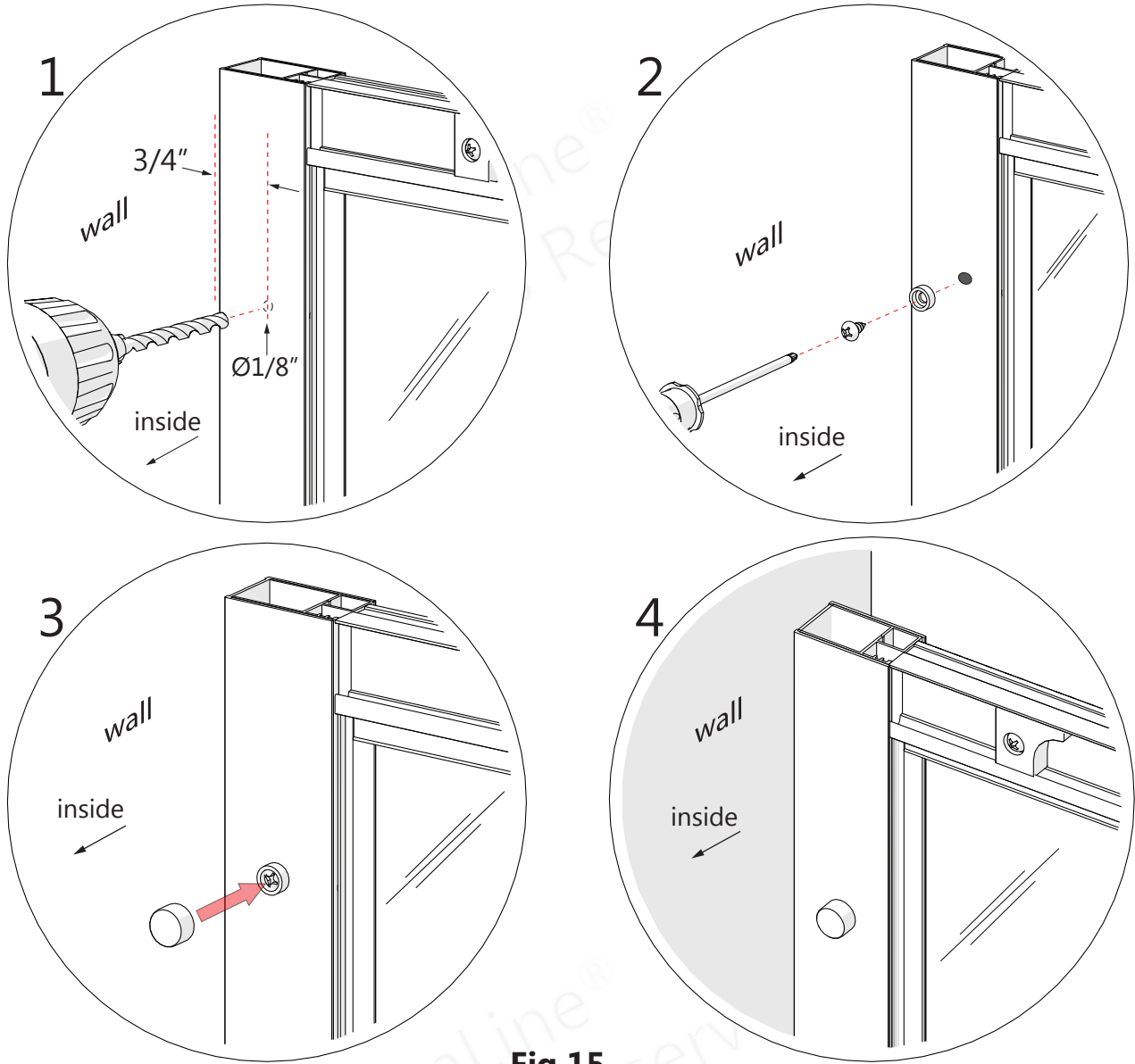


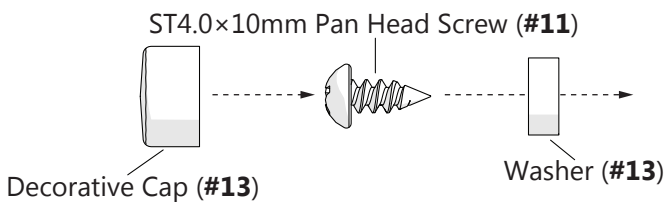
Fig 15



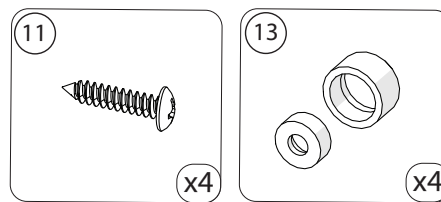
Make sure that the bottom rail is tight to the threshold before screwing the wall profiles and glass profiles together



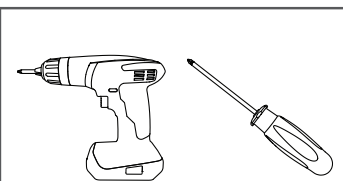
The **ST4.0×10mm Pan Head Screws (#11)** and **Decorative Covers (#13)** should be installed to both the **top** and **bottom** of each profile.



Parts Needed



Tools Needed





The surfaces need to be clean and free of debris before applying silicone.

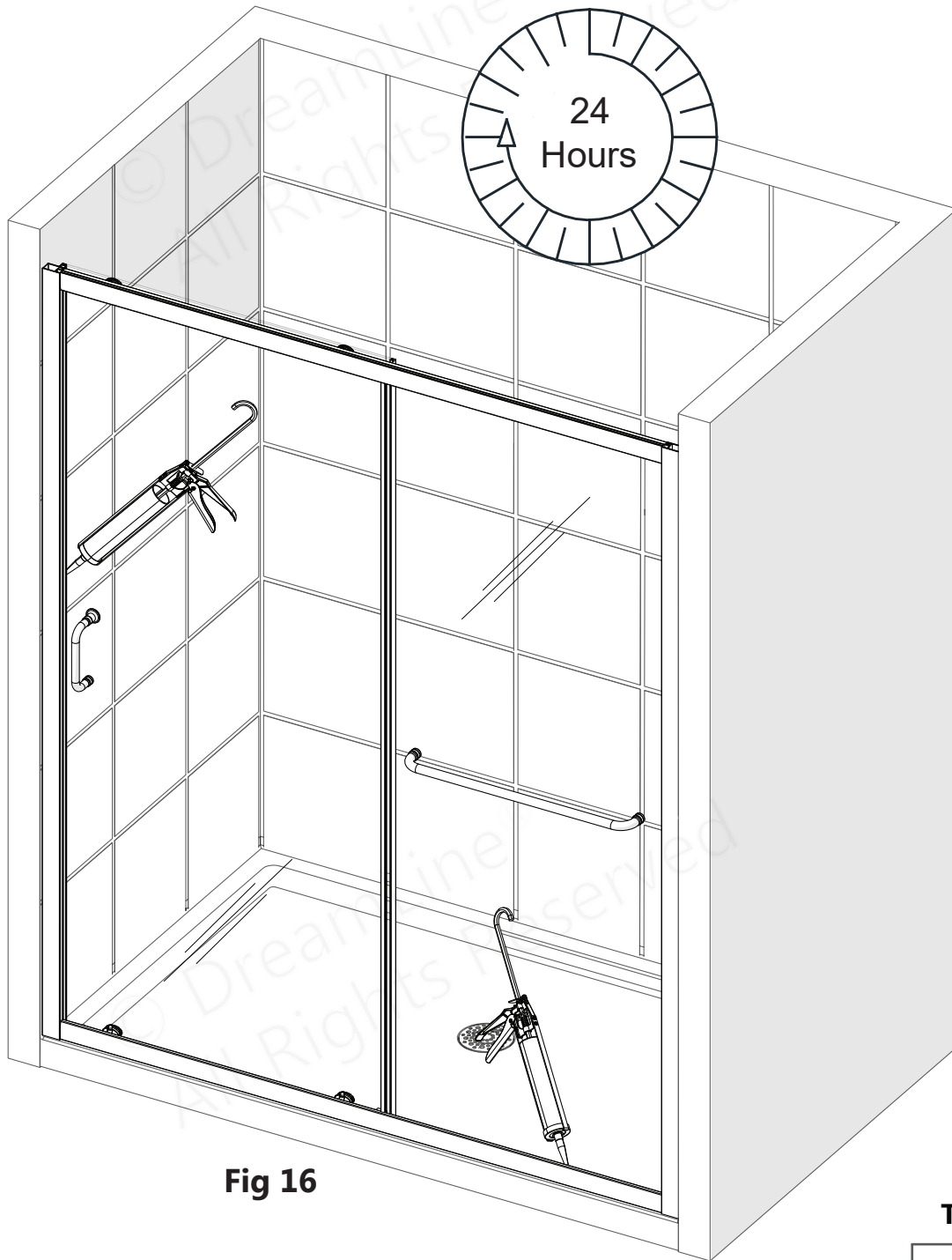
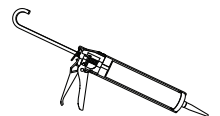


Fig 16

Tools Needed



Allow 24 hours for the silicone caulk to cure before using shower.

Product Maintenance

BASES and BACKWALLS: To ensure long lasting life for your acrylic back walls: wipe them off after each use with a soft cloth. To clean the acrylic back walls use non-abrasive sprays or cream based cleaners. Avoid the use of aerosol spray cleaners. Never use abrasive cleansers, metal brushes or scrapers that could permanently scratch or dull the surface.

GLASS: To ensure long lasting life for your glass shower products: wipe them off after each use with a soft cloth. Rinse and wipe off the glass using either a soft cloth or a squeegee to prevent soap buildup and water spots (Hard water can etch the surface of the glass over time if left to dry). To prevent scratching the surface: never use abrasive cleaners or cleaning products that contain scouring agents. Never use bristle brushes or abrasive sponges that may scratch the surface of the glass.

HARDWARE: To ensure a long lasting finish: wipe off all metal parts after each use with a soft cloth. Do not use abrasive cleaners or cleaning products containing ammonia, bleach or acid. If accidentally used, rinse the surface as soon as possible to prevent damage to the finish (peeling or corrosion). After cleaning the polished finishes, rinse thoroughly and wipe dry with a soft clean-cloth.

Clean stainless steel surfaces at least once a week. When applying stainless steel cleaner or polish to stainless steel hardware, work with the grain (not across the grain). Never use an abrasive sponge or cloth, steel wool or wired brush as these may permanently scratch the surfaces.



To maximize the life of your door, it is important to regularly inspect the glass and other hardware for misalignment, proper attachment, and/or damage. Contact DreamLine® with any questions or concerns.

INFINITY-Z Maintenance Checklist

- Check that the unit is stable, operates smoothly and that the installation is secure
- Confirm that all screws are tight
- Inspect the Roller Assemblies. Tighten if necessary
- Inspect Handle and towel bar. Tighten if necessary
- Inspect glass clips. Tighten if necessary
- Inspect and replace damaged or missing Vinyl Seals. Order replacement as necessary to prevent leakage.
- Inspect silicone application. Remove and replace as necessary to prevent leakage. (refer to the silicone manufacturer's recommendations on the proper application of their product).
- Remove Vinyl Seals to inspect the edges of the glass for concealed damage.
Damaged glass must be replaced!

Troubleshooting

| Problem/Symptom | Suggested Solution | Page(s) |
|--|--|---------|
| Missing Parts | <ul style="list-style-type: none"> •Check all shipping/packaging material for missing parts/components. •If not found, contact DreamLine Customer Support [1-855-831-2126] to order factory part replacement. | — |
| Leakage: underneath Bottom Guide Rail (#03) | <ul style="list-style-type: none"> •Make certain that the bottom rail is tight to the threshold and that silicone is creating a seal along the entire length of the bottom rail. •If the bottom rail is not making contact with the threshold, it may be necessary to redo Steps 6-7 to create a better seal. | 14-15 |
| Leakage: Panel/Door Glass (#05/04) | <ul style="list-style-type: none"> •Starting from the bottom, confirm that the Push-in Glazing Vinyl (#08) is correctly inserted into the glass profile. [see Fig 11] •If possible, direct the flow of water away from the area. | 19 |
| Door Glass (#04) is not rolling smoothly/closing tightly. | <ul style="list-style-type: none"> •Use a #2 phillips screwdriver to evenly adjust the Top Wheel Assemblies (#17a) until the Door Glass (#04) rolls smoothly and tightly closes. [see Fig 13.4] | 20-21 |
| Panel Glass (#05) shakes/rattles while in operation. | <ul style="list-style-type: none"> •Starting from the bottom, confirm that the Push-in Glazing Vinyl (#08) is installed tightly between the Panel Glass (#05) and Glass Profile (#01). •Inspect the Glass Clips (#16) for correct installation and tighten if necessary. [see Step 10] | 18-19 |



Prior to contacting DreamLine® Customer Service, please have the following information readily available:

- Purchase Order Information
- Name, PO Number, Dealer/Vendor Name, etc.
- SKU/Model Number (see Pages 27-33)
- Factory Part Information (see Pages 27-33)

Product Parts Information

| INFINITY-Z 48x72 Clear Glass | | FACTORY PARTS INFORMATION | |
|------------------------------|--|--|--------|
| ITEM # | FACTORY PART NUMBER | ITEM DESCRIPTION | QTY |
| 01 | 040020 1 1-1830 / 040020 4 1-1830 / 040020 6 1-1830 | Left or Right Glass Profile for 6mm (1/4in) Glass | 2 pcs |
| 02 | 041830 1 1-1830 / 041830 4 1-1830 / 041830 6 1-1830 | Left or Right Wall Profile | 2 pcs |
| 03 | 040010 1 1-1134 / 0400 4 011-1134 / 0400 6 011-1134 | Top or Bottom Guide Rail | 2 pcs |
| 04 | 010021014 | Door Glass | 1 pc |
| 05 | 010022007 | Inline Panel Glass | 1 pc |
| 06 | 0722 1 006 / 0722 4 006 / 0722 6 006 | Single Sided Curved Handle with Knob for 6mm (1/4in) Glass | 1 pc |
| 07a | 063001060-1743 | Vinyl Seal with a Flexible Fin for 6mm (1/4in) Glass (for panel) | 1 pc |
| 07b | 063001060-1814 | Vinyl Seal with a Flexible Fin for 6mm (1/4in) Glass (for door) | 2 pcs |
| 08 | 060001000-1765 | Push-in Glazing Vinyl for 6mm (1/4in) Glass | 1 pc |
| 09 | 091131 | ST4.0 × 55mm Pan Head Screw | 11 pcs |
| 10 | 091104 | ST4.0 x 25mm Pan Head Screw | 11 pcs |
| 11 | 091101 | ST4.0 x 10mm Pan Head Screw | 7 pcs |
| 12 | 092102 | ST4.2 x 16mm Countersunk Screw (pre-attached to #03) | 4 pcs |
| 12 | 092102 | ST4.2 x 16mm Countersunk Screw | 2 pcs |
| 13 | 0755 1 011 / 0755 4 011 / 0755 6 011 | Decorative Cover and Washer | 7 pcs |
| 14 | 07550045 | Wall Anchor 8mm (5/16in) | 11 pcs |
| 15 | 060007060-1800 | Vinyl Insert for Glass Profile | 1 pc |
| 16 | 0755 1 014 / 0755 4 014 / 0755 6 014 | Glass Clip for 6mm (1/4in) Glass | 2 pcs |
| 17a | 0734 1 008 / 0734 4 008 / 0734 6 008 | Single Roller Assembly (top) for 6mm (1/4in) Glass | 2 pcs |
| 17b | 0734 1 009 / 0734 4 009 / 0734 6 009 | Single Roller Assembly (bottom) for 6mm (1/4in) Glass | 2 pcs |
| 18 | 0722 1 024 / 0722 4 024 / 0722 6 024 | Towel Bar Assembly for 6mm (1/4in) Glass | 1 pc |
| --- | 07550009 | Roller Stopper (pre-attached to #03) | 4 pcs |

BOLD digit indicates finish: 1 = Chrome; 4 = Brushed Nickel; 06 = Oil Rubbed Bronze

Contact Support@DreamLine.com for Part replacement, installation assistance or additional information
Complete **Warranty** information is available on DreamLine.com

Product Parts Information

| INFINITY-Z 48x72 Frosted Glass | | FACTORY PARTS INFORMATION | |
|--------------------------------|---|--|--------|
| ITEM # | FACTORY PART NUMBER | ITEM DESCRIPTION | QTY |
| 01 | 040020 1 -1830 / 040020 4 -1830 / 040020 6 -1830 | Left or Right Glass Profile for 6mm (1/4in) Glass | 2 pcs |
| 02 | 041830 1 -1830 / 041830 4 -1830 / 041830 6 -1830 | Left or Right Wall Profile | 2 pcs |
| 03 | 040010 1 -1134 / 0400 4 011-1134 / 0400 6 011-1134 | Top or Bottom Guide Rail | 2 pcs |
| 04 | 010021016 | Door Glass | 1 pc |
| 05 | 010022008 | Inline Panel Glass | 1 pc |
| 06 | 0722 1 006 / 0722 4 006 / 0722 6 006 | Single Sided Curved Handle with Knob for 6mm (1/4in) Glass | 1 pc |
| 07a | 063001060-1743 | Vinyl Seal with a Flexible Fin for 6mm (1/4in) Glass (for panel) | 1 pc |
| 07b | 063001060-1814 | Vinyl Seal with a Flexible Fin for 6mm (1/4in) Glass (for door) | 2 pcs |
| 08 | 060001000-1765 | Push-in Glazing Vinyl for 6mm (1/4in) Glass | 1 pc |
| 09 | 091131 | ST4.0 x 55mm Pan Head Screw | 11 pcs |
| 10 | 091104 | ST4.0 x 25mm Pan Head Screw | 11 pcs |
| 11 | 091101 | ST4.0 x 10mm Pan Head Screw | 7 pcs |
| 12 | 092102 | ST4.2 x 16mm Countersunk Screw (pre-attached to #03) | 4 pcs |
| 12 | 092102 | ST4.2 x 16mm Countersunk Screw | 2 pcs |
| 13 | 0755 1 011 / 0755 4 011 / 0755 6 011 | Decorative Cover and Washer | 7 pcs |
| 14 | 07550045 | Wall Anchor 8mm (5/16in) | 11 pcs |
| 15 | 060007060-1800 | Vinyl Insert for Glass Profile | 1 pc |
| 16 | 0755 1 014 / 0755 4 014 / 0755 6 014 | Glass Clip for 6mm (1/4in) Glass | 2 pcs |
| 17a | 0734 1 008 / 0734 4 008 / 0734 6 008 | Single Roller Assembly (top) for 6mm (1/4in) Glass | 2 pcs |
| 17b | 0734 1 009 / 0734 4 009 / 0734 6 009 | Single Roller Assembly (bottom) for 6mm (1/4in) Glass | 2 pcs |
| 18 | 0722 1 024 / 0722 4 024 / 0722 6 024 | Towel Bar Assembly for 6mm (1/4in) Glass | 1 pc |
| --- | 07550009 | Roller Stopper (pre-attached to #03) | 4 pcs |

BOLD digit indicates finish: 1 = Chrome; 4 = Brushed Nickel; 06 = Oil Rubbed Bronze

Contact Support@DreamLine.com for Part replacement, installation assistance or additional information
Complete **Warranty** information is available on DreamLine.com

Product Parts Information

| INFINITY-Z 54x72 Clear Glass | | FACTORY PARTS INFORMATION | |
|------------------------------|--|--|--------|
| ITEM # | FACTORY PART NUMBER | ITEM DESCRIPTION | QTY |
| 01 | 040020 1 1-1830 / 040020 4 1-1830 / 040020 6 1-1830 | Left or Right Glass Profile for 6mm (1/4in) Glass | 2 pcs |
| 02 | 041830 1 1-1830 / 041830 4 1-1830 / 041830 6 1-1830 | Left or Right Wall Profile | 2 pcs |
| 03 | 040010 1 1-1283 / 0400 4 011-1283 / 0400 6 011-1283 | Top or Bottom Guide Rail | 2 pcs |
| 04 | 010022011 | Door Glass | 1 pc |
| 05 | 010022010 | Inline Panel Glass | 1 pc |
| 06 | 0722 1 006 / 0722 4 006 / 0722 6 006 | Single Sided Curved Handle with Knob for 6mm (1/4in) Glass | 1 pc |
| 07a | 063001060-1743 | Vinyl Seal with a Flexible Fin for 6mm (1/4in) Glass (for panel) | 1 pc |
| 07b | 063001060-1814 | Vinyl Seal with a Flexible Fin for 6mm (1/4in) Glass (for door) | 2 pcs |
| 08 | 060001000-1765 | Push-in Glazing Vinyl for 6mm (1/4in) Glass | 1 pc |
| 09 | 091131 | ST4.0 × 55mm Pan Head Screw | 11 pcs |
| 10 | 091104 | ST4.0 x 25mm Pan Head Screw | 11 pcs |
| 11 | 091101 | ST4.0 x 10mm Pan Head Screw | 7 pcs |
| 12 | 092102 | ST4.2 x 16mm Countersunk Screw (pre-attached to #03) | 4 pcs |
| 12 | 092102 | ST4.2 x 16mm Countersunk Screw | 2 pcs |
| 13 | 0755 1 011 / 0755 4 011 / 0755 6 011 | Decorative Cover and Washer | 7 pcs |
| 14 | 07550045 | Wall Anchor 8mm (5/16in) | 11 pcs |
| 15 | 060007060-1800 | Vinyl Insert for Glass Profile | 1 pc |
| 16 | 0755 1 014 / 0755 4 014 / 0755 6 014 | Glass Clip for 6mm (1/4in) Glass | 2 pcs |
| 17a | 0734 1 008 / 0734 4 008 / 0734 6 008 | Single Roller Assembly (top) for 6mm (1/4in) Glass | 2 pcs |
| 17b | 0734 1 009 / 0734 4 009 / 0734 6 009 | Single Roller Assembly (bottom) for 6mm (1/4in) Glass | 2 pcs |
| 18 | 0722 1 051 / 0722 4 051 / 0722 6 051 | Towel Bar Assembly for 6mm (1/4in) Glass | 1 pc |
| --- | 07550009 | Roller Stopper (pre-attached to #03) | 4 pcs |

BOLD digit indicates finish: 1 = Chrome; 4 = Brushed Nickel; 06 = Oil Rubbed Bronze

Contact Support@DreamLine.com for Part replacement, installation assistance or additional information
Complete **Warranty** information is available on DreamLine.com

Product Parts Information

| INFINITY-Z 54x72 Frosted Glass | | FACTORY PARTS INFORMATION | |
|--------------------------------|--|--|--------|
| ITEM # | FACTORY PART NUMBER | ITEM DESCRIPTION | QTY |
| 01 | 040020 1 1-1830 / 040020 4 1-1830 / 040020 6 1-1830 | Left or Right Glass Profile for 6mm (1/4in) Glass | 2 pcs |
| 02 | 041830 1 1-1830 / 041830 4 1-1830 / 041830 6 1-1830 | Left or Right Wall Profile | 2 pcs |
| 03 | 040010 1 1-1283 / 0400 4 011-1283 / 0400 6 011-1283 | Top or Bottom Guide Rail | 2 pcs |
| 04 | 010022013 | Door Glass | 1 pc |
| 05 | 010022012 | Inline Panel Glass | 1 pc |
| 06 | 0722 1 006 / 0722 4 006 / 0722 6 006 | Single Sided Curved Handle with Knob for 6mm (1/4in) Glass | 1 pc |
| 07a | 063001060-1743 | Vinyl Seal with a Flexible Fin for 6mm (1/4in) Glass (for panel) | 1 pc |
| 07b | 063001060-1814 | Vinyl Seal with a Flexible Fin for 6mm (1/4in) Glass (for door) | 2 pcs |
| 08 | 060001000-1765 | Push-in Glazing Vinyl for 6mm (1/4in) Glass | 1 pc |
| 09 | 091131 | ST4.0 x 55mm Pan Head Screw | 11 pcs |
| 10 | 091104 | ST4.0 x 25mm Pan Head Screw | 11 pcs |
| 11 | 091101 | ST4.0 x 10mm Pan Head Screw | 7 pcs |
| 12 | 092102 | ST4.2 x 16mm Countersunk Screw (pre-attached to #03) | 4 pcs |
| 12 | 092102 | ST4.2 x 16mm Countersunk Screw | 2 pcs |
| 13 | 0755 1 011 / 0755 4 011 / 0755 6 011 | Decorative Cover and Washer | 7 pcs |
| 14 | 07550045 | Wall Anchor 8mm (5/16in) | 11 pcs |
| 15 | 060007060-1800 | Vinyl Insert for Glass Profile | 1 pc |
| 16 | 0755 1 014 / 0755 4 014 / 0755 6 014 | Glass Clip for 6mm (1/4in) Glass | 2 pcs |
| 17a | 0734 1 008 / 0734 4 008 / 0734 6 008 | Single Roller Assembly (top) for 6mm (1/4in) Glass | 2 pcs |
| 17b | 0734 1 009 / 0734 4 009 / 0734 6 009 | Single Roller Assembly (bottom) for 6mm (1/4in) Glass | 2 pcs |
| 18 | 0722 1 051 / 0722 4 051 / 0722 6 051 | Towel Bar Assembly for 6mm (1/4in) Glass | 1 pc |
| --- | 07550009 | Roller Stopper (pre-attached to #03) | 4 pcs |

BOLD digit indicates finish: 1 = Chrome; 4 = Brushed Nickel; 06 = Oil Rubbed Bronze

Contact **Support@DreamLine.com** for Part replacement, installation assistance or additional information
Complete **Warranty** information is available on **DreamLine.com**

Product Parts Information

| INFINITY-Z 60x72 Clear Glass | | FACTORY PARTS INFORMATION | |
|------------------------------|--|--|--------|
| ITEM # | FACTORY PART NUMBER | ITEM DESCRIPTION | QTY |
| 01 | 040020 1 1-1830 / 040020 4 1-1830 / 040020 6 1-1830 | Left or Right Glass Profile for 6mm (1/4in) Glass | 2 pcs |
| 02 | 041830 1 1-1830 / 041830 4 1-1830 / 041830 6 1-1830 | Left or Right Wall Profile | 2 pcs |
| 03 | 040010 1 1-1437 / 0400 4 011-1437 / 0400 6 011-1437 | Top or Bottom Guide Rail | 2 pcs |
| 04 | 010021010 | Door Glass | 1 pc |
| 05 | 010022004 | Inline Panel Glass | 1 pc |
| 06 | 0722 1 006 / 0722 4 006 / 0722 6 006 | Single Sided Curved Handle with Knob for 6mm (1/4in) Glass | 1 pc |
| 07a | 063001060-1743 | Vinyl Seal with a Flexible Fin for 6mm (1/4in) Glass (for panel) | 1 pc |
| 07b | 063001060-1814 | Vinyl Seal with a Flexible Fin for 6mm (1/4in) Glass (for door) | 2 pcs |
| 08 | 060001000-1765 | Push-in Glazing Vinyl for 6mm (1/4in) Glass | 1 pc |
| 09 | 091131 | ST4.0 × 55mm Pan Head Screw | 11 pcs |
| 10 | 091104 | ST4.0 x 25mm Pan Head Screw | 11 pcs |
| 11 | 091101 | ST4.0 x 10mm Pan Head Screw | 7 pcs |
| 12 | 092102 | ST4.2 x 16mm Countersunk Screw (pre-attached to #03) | 4 pcs |
| 12 | 092102 | ST4.2 x 16mm Countersunk Screw | 2 pcs |
| 13 | 0755 1 011 / 0755 4 011 / 0755 6 011 | Decorative Cover and Washer | 7 pcs |
| 14 | 07550045 | Wall Anchor 8mm (5/16in) | 11 pcs |
| 15 | 060007060-1800 | Vinyl Insert for Glass Profile | 1 pc |
| 16 | 0755 1 014 / 0755 4 014 / 0755 6 014 | Glass Clip for 6mm (1/4in) Glass | 2 pcs |
| 17a | 0734 1 008 / 0734 4 008 / 0734 6 008 | Single Roller Assembly (top) for 6mm (1/4in) Glass | 2 pcs |
| 17b | 0734 1 009 / 0734 4 009 / 0734 6 009 | Single Roller Assembly (bottom) for 6mm (1/4in) Glass | 2 pcs |
| 18 | 0722 1 023 / 0722 4 023 / 0722 6 023 | Towel Bar Assembly for 6mm (1/4in) Glass | 1 pc |
| --- | 07550009 | Roller Stopper (pre-attached to #03) | 4 pcs |

BOLD digit indicates finish: 1 = Chrome; 4 = Brushed Nickel; 06 = Oil Rubbed Bronze

Contact Support@DreamLine.com for Part replacement, installation assistance or additional information
Complete **Warranty** information is available on DreamLine.com

Product Parts Information

| INFINITY-Z 60x72 Frosted Glass | | FACTORY PARTS INFORMATION | |
|--------------------------------|--|--|--------|
| ITEM # | FACTORY PART NUMBER | ITEM DESCRIPTION | QTY |
| 01 | 040020 1 1-1830 / 040020 4 1-1830 / 040020 6 1-1830 | Left or Right Glass Profile for 6mm (1/4in) Glass | 2 pcs |
| 02 | 041830 1 1-1830 / 041830 4 1-1830 / 041830 6 1-1830 | Left or Right Wall Profile | 2 pcs |
| 03 | 040010 1 1-1437 / 0400 4 011-1437 / 0400 6 011-1437 | Top or Bottom Guide Rail | 2 pcs |
| 04 | 010021011 | Door Glass | 1 pc |
| 05 | 010022005 | Inline Panel Glass | 1 pc |
| 06 | 0722 1 006 / 0722 4 006 / 0722 6 006 | Single Sided Curved Handle with Knob for 6mm (1/4in) Glass | 1 pc |
| 07a | 063001060-1743 | Vinyl Seal with a Flexible Fin for 6mm (1/4in) Glass (for panel) | 1 pc |
| 07b | 063001060-1814 | Vinyl Seal with a Flexible Fin for 6mm (1/4in) Glass (for door) | 2 pcs |
| 08 | 060001000-1765 | Push-in Glazing Vinyl for 6mm (1/4in) Glass | 1 pc |
| 09 | 091131 | ST4.0 x 55mm Pan Head Screw | 11 pcs |
| 10 | 091104 | ST4.0 x 25mm Pan Head Screw | 11 pcs |
| 11 | 091101 | ST4.0 x 10mm Pan Head Screw | 7 pcs |
| 12 | 092102 | ST4.2 x 16mm Countersunk Screw (pre-attached to #03) | 4 pcs |
| 12 | 092102 | ST4.2 x 16mm Countersunk Screw | 2 pcs |
| 13 | 0755 1 011 / 0755 4 011 / 0755 6 011 | Decorative Cover and Washer | 7 pcs |
| 14 | 07550045 | Wall Anchor 8mm (5/16in) | 11 pcs |
| 15 | 060007060-1800 | Vinyl Insert for Glass Profile | 1 pc |
| 16 | 0755 1 014 / 0755 4 014 / 0755 6 014 | Glass Clip for 6mm (1/4in) Glass | 2 pcs |
| 17a | 0734 1 008 / 0734 4 008 / 0734 6 008 | Single Roller Assembly (top) for 6mm (1/4in) Glass | 2 pcs |
| 17b | 0734 1 009 / 0734 4 009 / 0734 6 009 | Single Roller Assembly (bottom) for 6mm (1/4in) Glass | 2 pcs |
| 18 | 0722 1 023 / 0722 4 023 / 0722 6 023 | Towel Bar Assembly for 6mm (1/4in) Glass | 1 pc |
| --- | 07550009 | Roller Stopper (pre-attached to #03) | 4 pcs |

BOLD digit indicates finish: 1 = Chrome; 4 = Brushed Nickel; 06 = Oil Rubbed Bronze

Contact Support@DreamLine.com for Part replacement, installation assistance or additional information
Complete **Warranty** information is available on DreamLine.com

Product Parts Information

| INFINITY-Z 60x58 Clear Glass | | FACTORY PARTS INFORMATION | |
|------------------------------|--|--|--------|
| ITEM # | FACTORY PART NUMBER | ITEM DESCRIPTION | QTY |
| 01 | 040020 1 1-1474 / 040020 4 1-1474 / 040020 6 1-1474 | Left or Right Glass Profile for 6mm (1/4in) Glass | 2 pcs |
| 02 | 041830 1 1-1474 / 041830 4 1-1474 | Left or Right Wall Profile | 2 pcs |
| 03 | 040010 1 1-1437 / 0400 4 011-1437 / 0400 6 011-1437 | Top or Bottom Guide Rail | 2 pcs |
| 04 | 010021007 | Door Glass | 1 pc |
| 05 | 010022001 | Inline Panel Glass | 1 pc |
| 06 | 0722 1 006 / 0722 4 006 | Single Sided Curved Handle with Knob for 6mm (1/4in) Glass | 1 pc |
| 07a | 063001060-1387 | Vinyl Seal with a Flexible Fin for 6mm (1/4in) Glass (for panel) | 1 pc |
| 07b | 063001060-1458 | Vinyl Seal with a Flexible Fin for 6mm (1/4in) Glass (for door) | 2 pcs |
| 08 | 060001000-1410 | Push-in Glazing Vinyl for 6mm (1/4in) Glass | 1 pc |
| 09 | 091131 | ST4.0 × 55mm Pan Head Screw | 11 pcs |
| 10 | 091104 | ST4.0 x 25mm Pan Head Screw | 11 pcs |
| 11 | 091101 | ST4.0 x 10mm Pan Head Screw | 7 pcs |
| 12 | 092102 | ST4.2 x 16mm Countersunk Screw (pre-attached to #03) | 4 pcs |
| 12 | 092102 | ST4.2 x 16mm Countersunk Screw | 2 pcs |
| 13 | 0755 1 011 / 0755 4 011 | Decorative Cover and Washer | 7 pcs |
| 14 | 07550045 | Wall Anchor 8mm (5/16in) | 11 pcs |
| 15 | 060007060-1411 | Vinyl Insert for Glass Profile | 1 pc |
| 16 | 0755 1 014 / 0755 4 014 | Glass Clip for 6mm (1/4in) Glass | 2 pcs |
| 17a | 0734 1 008 / 0734 4 008 | Single Roller Assembly (top) for 6mm (1/4in) Glass | 2 pcs |
| 17b | 0734 1 009 / 0734 4 009 | Single Roller Assembly (bottom) for 6mm (1/4in) Glass | 2 pcs |
| 18 | 0722 1 023 / 0722 4 023 | Towel Bar Assembly for 6mm (1/4in) Glass | 1 pc |
| --- | 07550009 | Roller Stopper (pre-attached to #03) | 4 pcs |

BOLD digit indicates finish: 1 = Chrome; 4 = Brushed Nickel; 06 = Oil Rubbed Bronze

Contact Support@DreamLine.com for Part replacement, installation assistance or additional information
Complete **Warranty** information is available on DreamLine.com



TEL: 866-731-2244
FAX: 866-857-3638
DREAMLINE.COM



For more information on DreamLine® Shower Doors and Enclosures please visit **DreamLine.com**