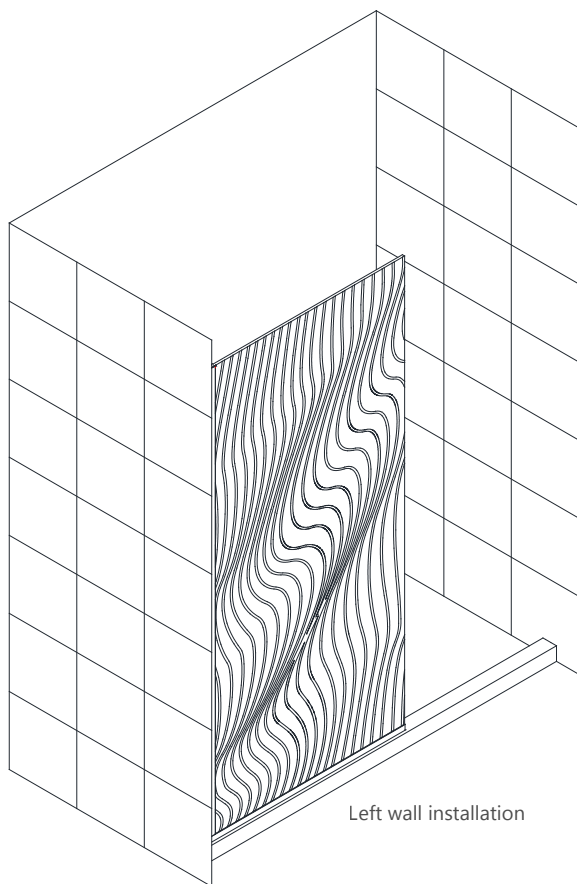


LINEA SURF w/MIRRORMAX™

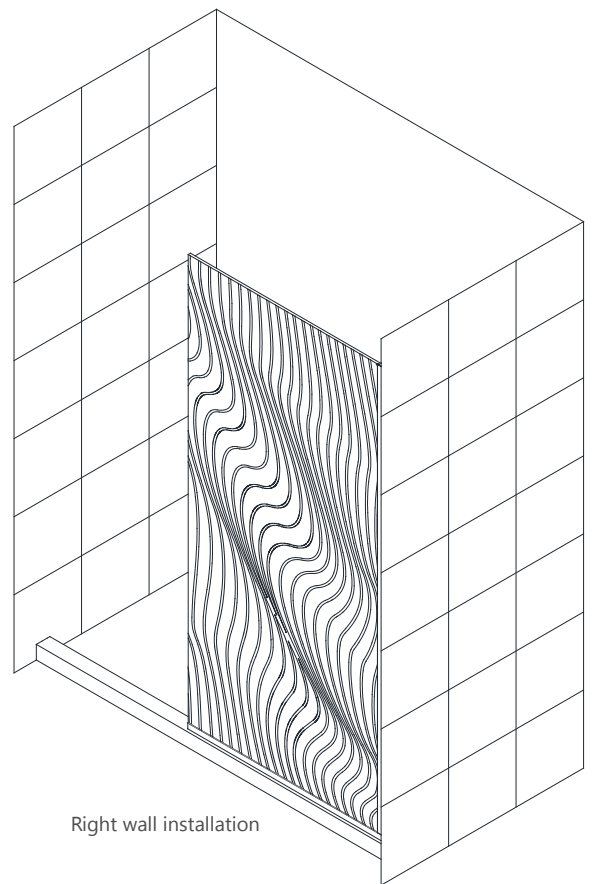
SHOWER PANEL INSTALLATION INSTRUCTIONS

IMPORTANT

DreamLine[®] reserves the right to alter, modify or redesign products at any time without prior notice. For the latest up-to-date technical drawings, manuals, warranty information or additional details please refer to your model's web page on **DreamLine.com**



Left wall installation



Right wall installation

MODEL #s
SHDR-323472M-08

##=finish
08- Polished Stainless Steel



Questions?

Please Call **DreamLine** Customer Support: **1-855-831-2126**
Hours of Operation M-F 8AM - 7PM EST and Saturday 9AM - 5PM EST

Support@DreamLine.com



For more information about DreamLine[®] Shower Doors, Tub Doors & Enclosures, please visit **DreamLine.com**



This model is treated with DreamLine's exclusive ClearMax™ Glass technology. This is a specially formulated coating that prevents the buildup of soap and water spots.

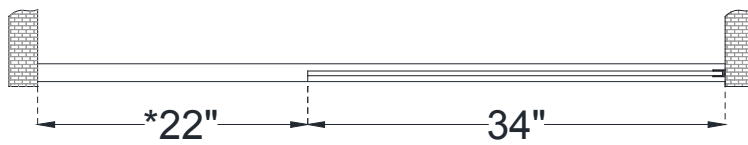
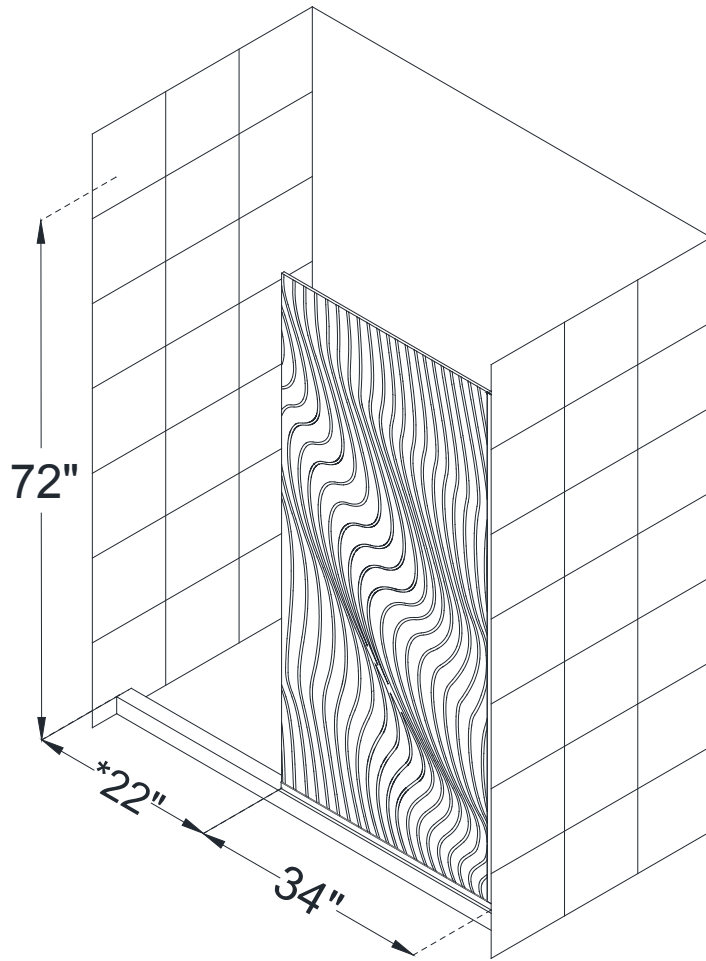
Install the surface with the ClearMax™ label towards the inside of the shower. Please note that depending on the model, the glass may be coated on either one or both surfaces.

For best results, squeegee the glass after each use and dry with a soft cloth.

Table of Contents

Section Title	Page #
Model Diagram	2
Preparation	3
Tools	4
Parts List	5
Installation Steps	6-9
Product maintenance	10

Model Diagram



*22" minimum access space recommended

Preparation

1. Prior to installation, examine all boxes and packages for shipping damage and compare piece count with your packing slip. After opening all boxes and packages, read this introduction carefully. Check that all of the needed parts are included in the package by marking all the components on the "Detailed Diagram of Shower Door Components". If the unit has been damaged, has a finishing defect, or has missing parts, please contact our customer support department within **3 business days** of the delivery date. Please note that **DreamLine® will not replace any damaged products or missing parts free of charge after 3 business days or if the product has been installed.** Contact DreamLine® if you have any questions, and please provide an order number, job name or other proof of purchase to help identify the original order.
2. **Please note that you should consult your local building codes with questions on installation compliance standards. Building and plumbing codes may vary by location, and DreamLine® is not responsible for code compliance standards for your project and will not accept any returns.**
3. If this unit is going to be installed in new construction, please install all of the required plumbing and drainage before installing the shower. **Use a competent and licensed (if required by local code) plumber for all plumbing installation.**
4. Make sure that prior to beginning the installation, the surfaces are leveled and solid and will be able to support the total weight of the unit. Also make sure the walls are at right angles. Irregular installation surface level, radius corners or improper angle of side walls will result in serious problems for your installation. Please, note that some adjustments and drilling might be necessary during the installation process.
5. Protect all primary surfaces of the product during installation. Never set your glass down directly onto a tile floor. Leave corner protectors in place until necessary to remove them. Always use a piece of wood or cardboard to protect the bottom edge and corners of the glass prior to and during installation.
6. **Installation of this model requires that you drill down into the threshold or shower base.**
7. Stationary glass panel sizes of 30" and 34" are nominal dimensions referring to the overall size of the panel after installation and not the actual glass size.
8. The vertical (wall) u-channel will provide up to **1/4"** of out-of-plumb adjustment. **Do not exceed this tolerance.**
9. The safety of any installation is the responsibility of the installer.
10. **Professional installation recommended.**



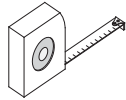
To prevent serious injury, do not lean against the installed panel glass.

ClearMax™ is a protective glass surface coating that needs to be installed toward the inside.
MirrorMax™ is a pattern on one surface of the glass that needs to be installed toward the outside

Tools



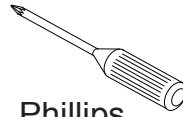
Level



Tape Measure



Pencil



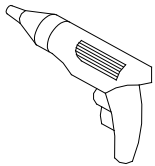
Phillips Screwdriver



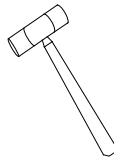
Drill bit
Ø5/16"
(8mm)



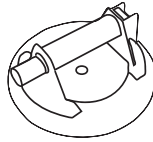
Drill bit
Ø=1/8"
(3mm)



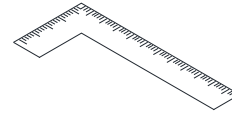
Power Drill



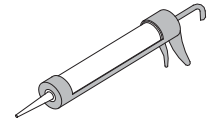
Hammer



Professional grade
Glass suction cup



Carpenter's
Square

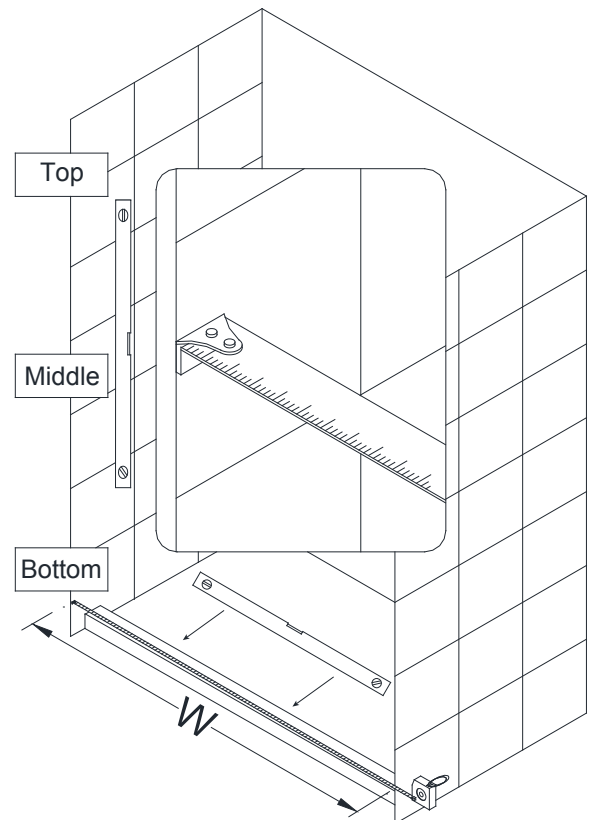


Silicone

Tip: Measure the finished opening before proceeding with the installation to be sure that the correct model size has been ordered.

Tip: Prior to installation, cover the shower/tub drain with tape to prevent losing screws or small parts.

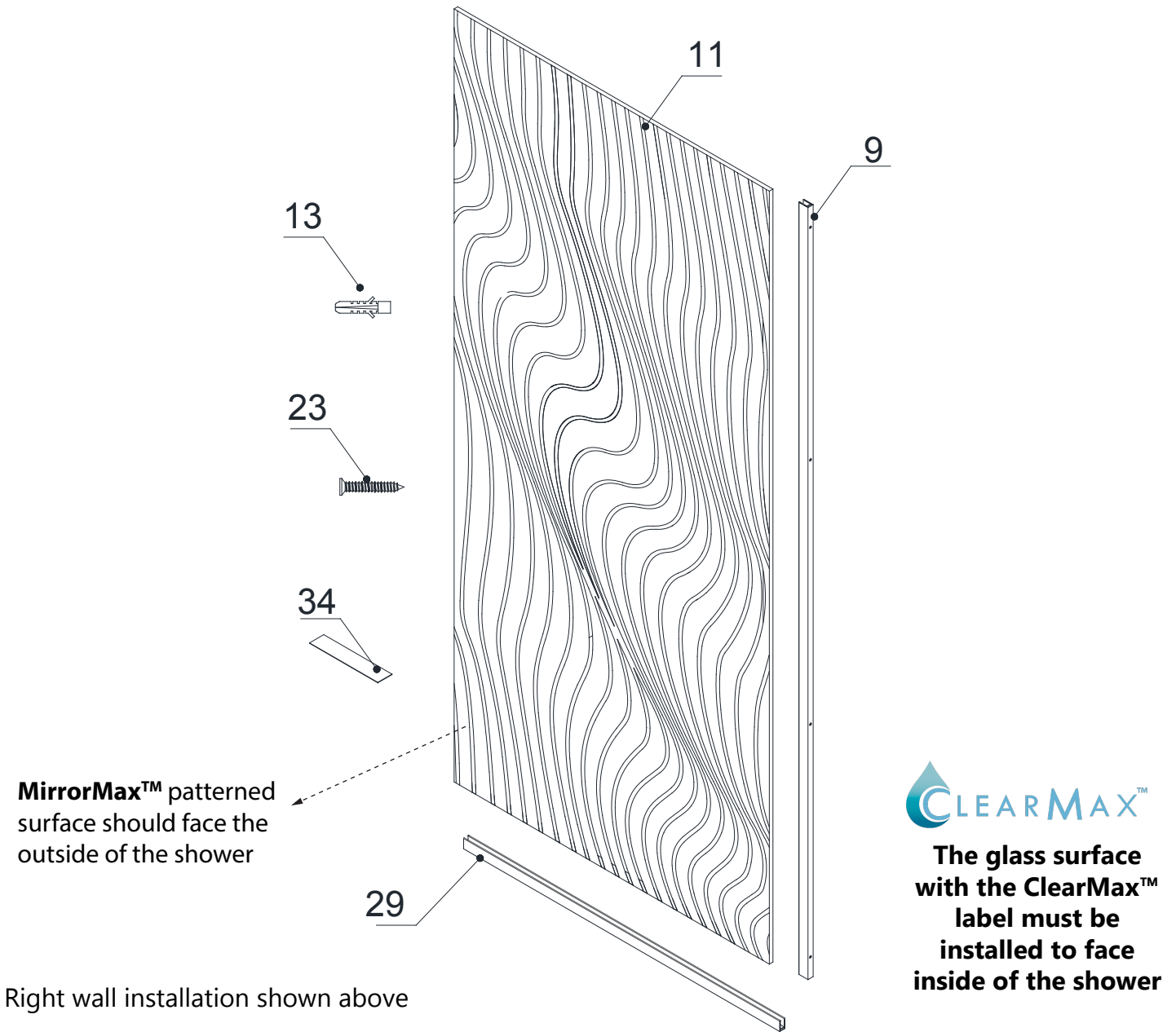
Tip: Set screw gun clutch to low setting when installing screws and bolts to prevent stripping the heads.



NOTE: Unpack your unit carefully and inspect it. Lay it out and identify all parts using the detailed diagram and packing list in this manual as a reference. Before discarding the carton, check for small hardware bags that may have fallen to the bottom of the box. If any parts are damaged or missing, please contact DreamLine® for replacement. The shipping boxes may contain extra parts not used in your model configuration.

NOTE: Retain these installation instructions for future reference.

Detailed Diagram of shower panel components



Parts List

ITEM #	PART #	DESCRIPTION	QTY	ITEM #	PART #	DESCRIPTION	QTY
09	07121057	U-channel 1 (72" wall profile)	1pc	23	092108	Countersunk screw ST4.2x40	8pcs
11	010137078	Stationary glass (34" installed)	1pc	29	07121062	U-channel 2 (34" bottom profile)	1pc
13	07556045	Ø5/16" Wall Anchor	8pcs	34	07551083	0.5mm Adjustment Spacer ×36"	1pc

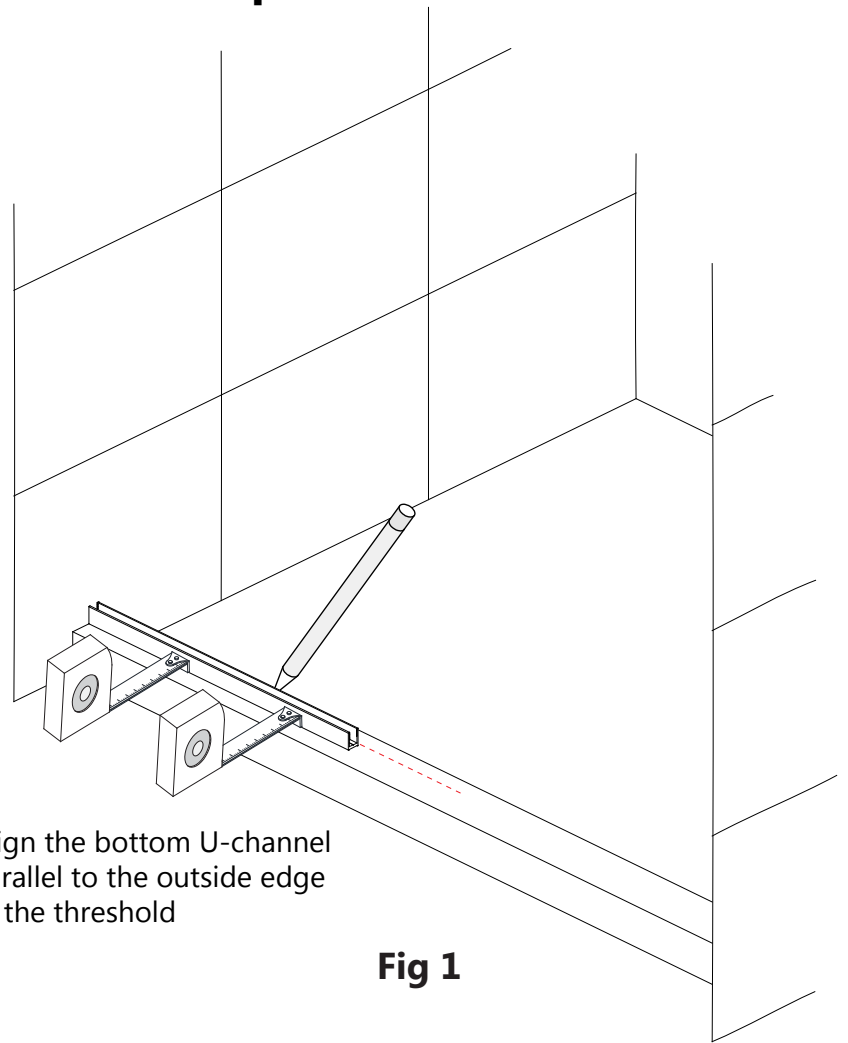
NOTE : This model is fully reversible. The Left wall installation is shown as an example in the following installation steps. For Right wall installation, simply reverse the orientation of the installation and begin on the opposite wall.

Installation steps

1. Position the **U-channel 2 (bottom profile) (#29)** onto the threshold, parallel to the outside edge. Mark the position of the U-channel and mark the position of the holes for drilling. You need to use at least 3 holes for the **U-channel 2 (bottom profile) (#29)**: one near each end and one near the center.

- Drill the holes into the threshold using a **Ø1/8"** drill bit. (Or use a **Ø5/16"** bit and anchor for tile)

- Apply a bead of silicone to the bottom of the **U-channel 2 (bottom profile) (#29)** and attach it to the threshold using the **ST4.2 x 40mm screws (#23)** (**Fig 1 and Fig 2**)



Align the bottom U-channel parallel to the outside edge of the threshold

Fig 1

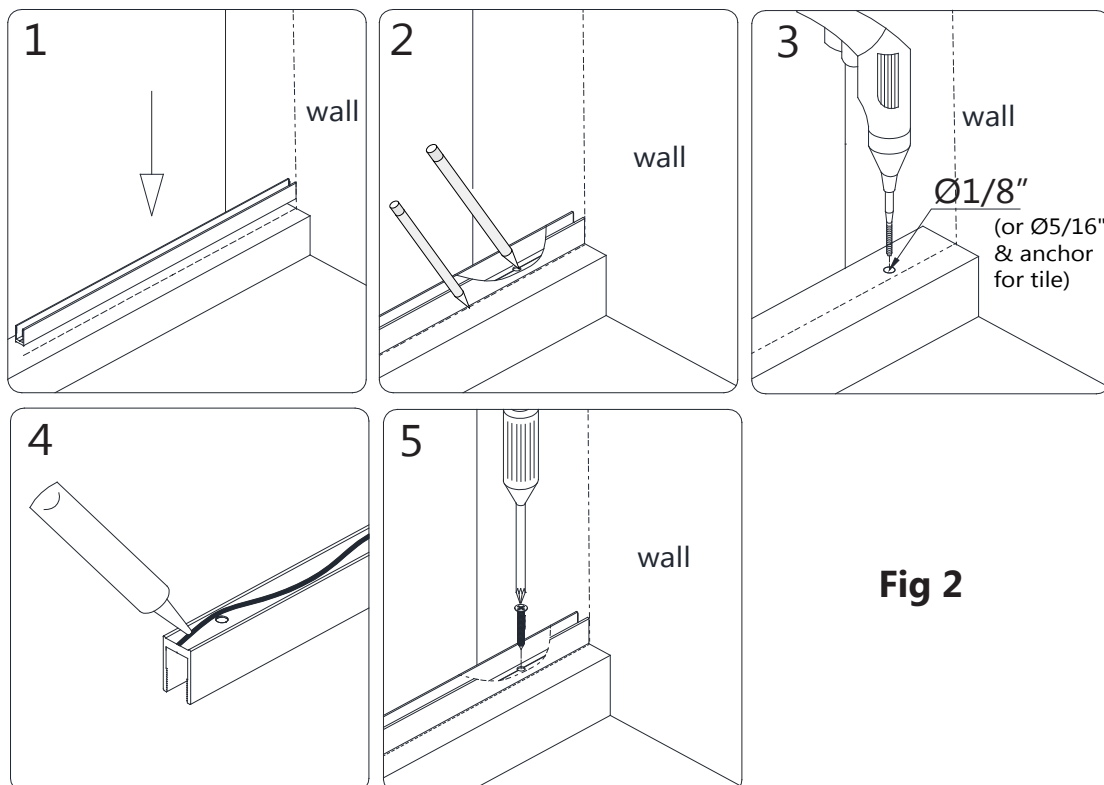


Fig 2

2. Next, position the vertical **U-channel 1 (#09) (wall profile)** on top of the installed bottom U-channel. Use a level to plumb the **U-channel 1 (#09) (wall profile)** and mark the positions of the holes for drilling. You need to use at least four holes for the **U-channel 1 (#09) (wall profile)**.

- Drill the holes into the wall using a **Ø5/16"** drill bit.
- Insert the **Wall Anchors (#13)** into the 5/16" holes.
- Apply silicone to the back of the **U-channel 1 (#09) (wall profile)** and attach it to the wall using the **ST4.2 x 40mm Screws (#23)**. (Fig 3)

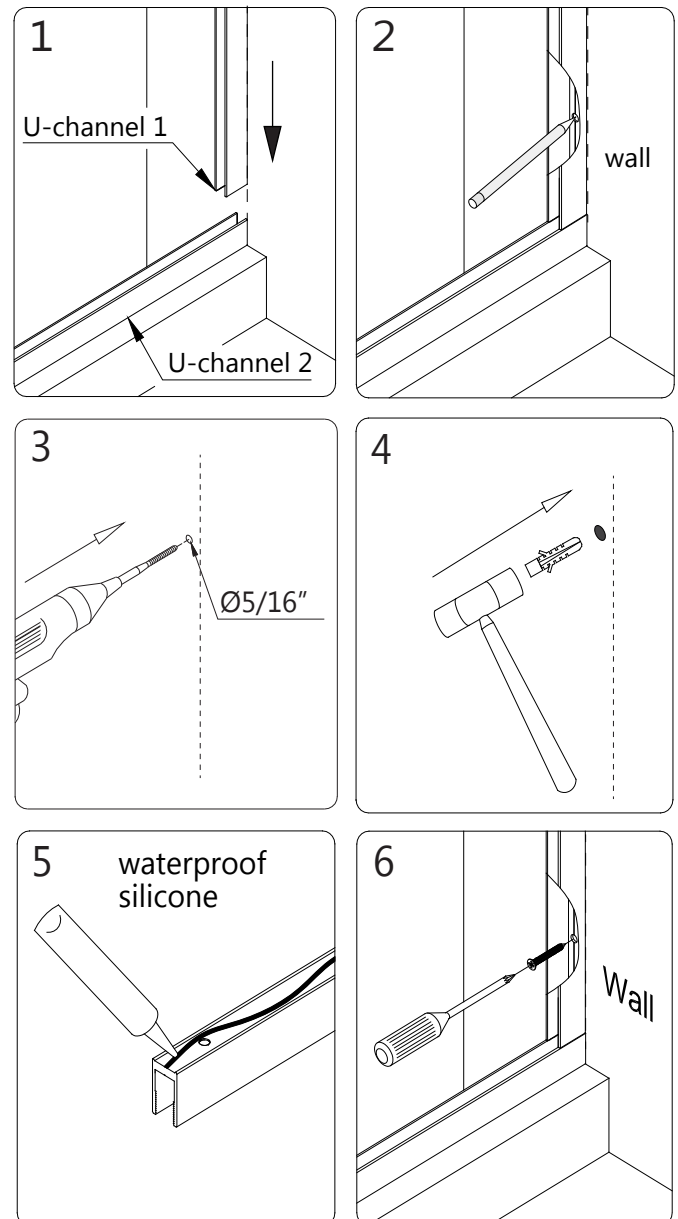
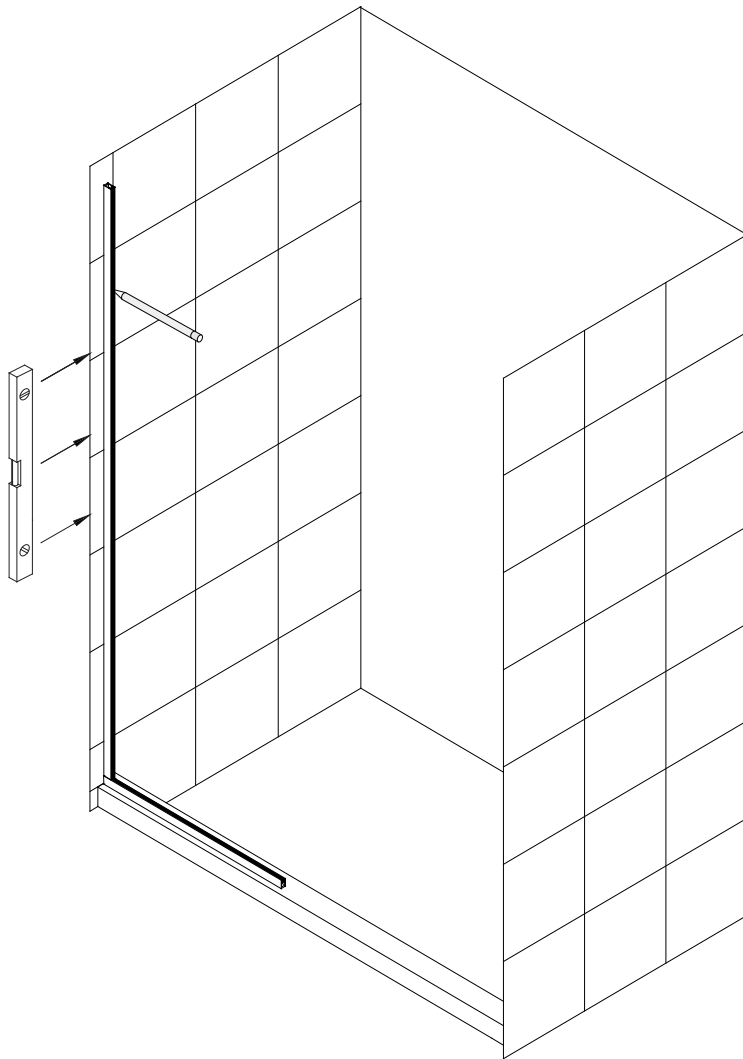


Fig 3

3. Apply a good quality mildew-resistant silicone into both U-channels. Add several 2" pieces of the **0.5mm Adjustment Spacers (#34)** into the **Bottom U-channel (#29)** to protect the bottom and corners of the glass. **(Fig 4)**

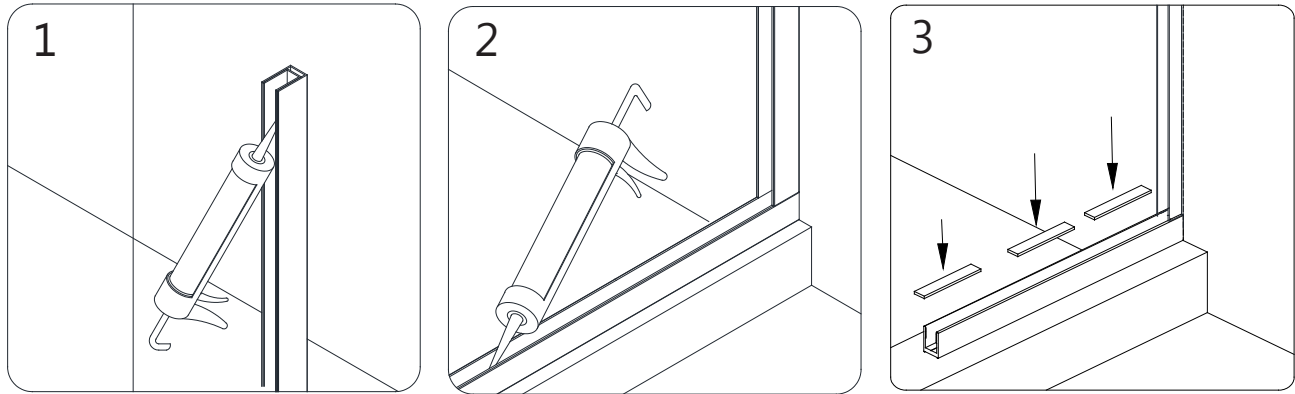


Fig 4



Note: Install the glass surface with the MirrorMax™ pattern toward the outside of the shower

4. Install the **Stationary Glass (#11)** into the **U-channel 2 (#29) (bottom profile)** and the **U-channel 1 (#09) (wall profile)**. Apply a dab of silicone to the exposed end of the **Bottom U-channel (#29)**. **(Fig 5)**

Note: If necessary, add additional **0.5mm Adjustment Spacers (#34)** into the **Bottom U-channel** to level the glass.
Do not exceed 1/4" of adjustment.



The glass surface with the ClearMax™ label must be installed to face inside of the shower

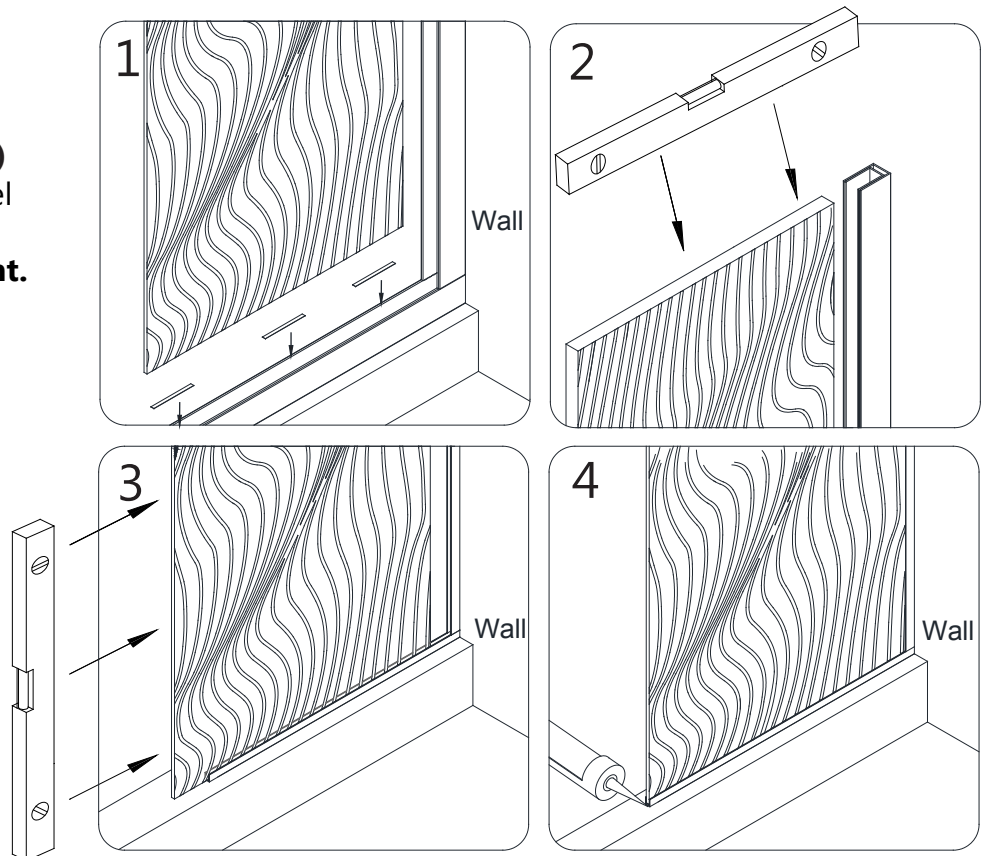


Fig 5

5. Apply a good quality mildew-resistant/waterproof silicone along the connection of both U-Channels to the wall and threshold on the inside of the shower. **(Fig 6)**

NOTE: The surfaces need to be clean and free of debris before applying silicone.



Allow 24 hours for the silicone to fully cure before using the shower.

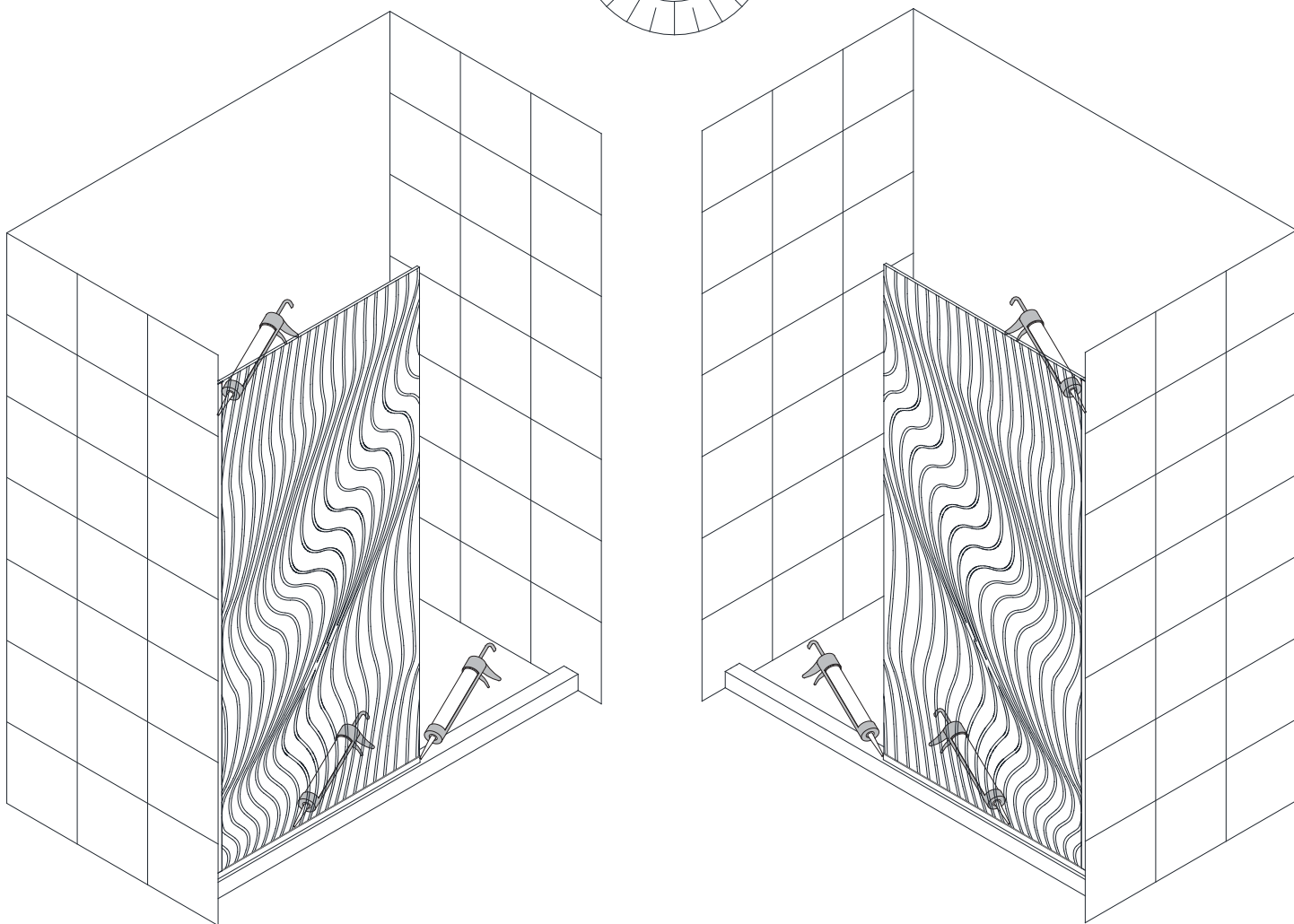
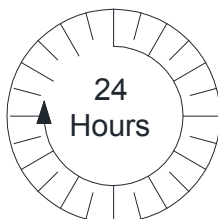


Fig 6

Product Maintenance

BASES and BACKWALLS: To ensure long-lasting life for your acrylic back walls, wipe them off after each use with a soft cloth. To clean the acrylic back walls use non-abrasive sprays or cream based cleaners. Avoid the use of aerosol spray cleaners. Never use abrasive cleansers, metal brushes or scrapers that could scratch or dull the surface.

GLASS: To ensure long-lasting life for your glass shower products, wipe them off after each use with a soft cloth. Rinse and wipe off the glass using either a soft cloth or a squeegee to prevent soap buildup and water spots (Hard water can etch the surface of the glass over time if left to dry). To prevent scratching the surface: never use abrasive cleaners or cleaning products that contain scouring agents. Never use bristle brushes or abrasive sponges that may scratch the surface.

HARDWARE: To ensure a long-lasting finish, wipe off the metal parts after each use with a soft cloth. Do not use abrasive cleaners or cleaning products containing ammonia, bleach or acid. If accidentally used, rinse the surface as soon as possible to prevent damage to the finish (peeling or corrosion). After cleaning the polished finishes, rinse thoroughly and wipe dry with soft cloth. Clean stainless steel surfaces at least once a week. When applying stainless steel cleaner or polish to stainless steel hardware, work with (not across) the grain. Never use an abrasive sponge or cloth, steel wool or wired brush as these may permanently scratch the surfaces.

NOTE: To maximize the life of your product, it is important to regularly inspect the glass and all hardware for misalignment, proper attachment, and/or damage. Contact DreamLine® with any questions or concerns.



To prevent serious injury, do not lean against the installed panel glass.



DREAMLINE[®]
THE ULTIMATE SHOWER DOOR

TEL: 866-731-2244
FAX: 866-857-3638
DREAMLINE.COM

For more information on DreamLine[®] Shower Doors and Enclosures please visit **DreamLine.com**