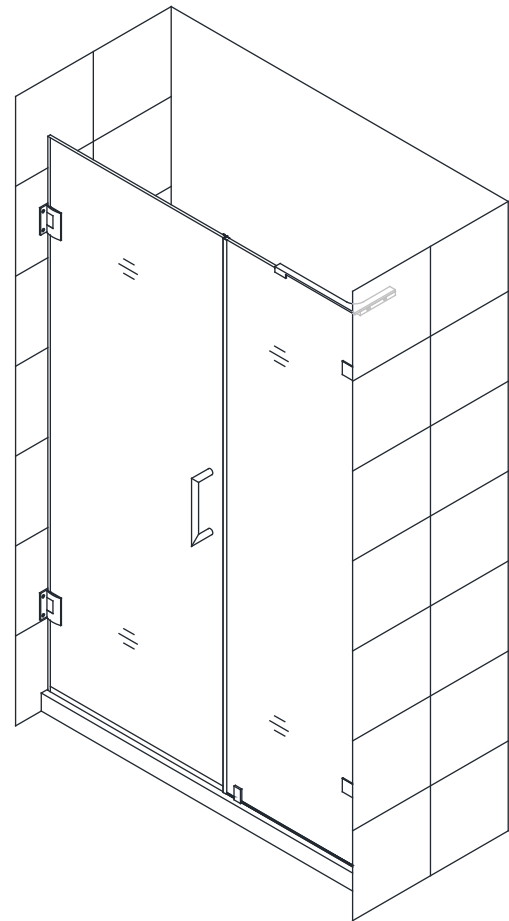
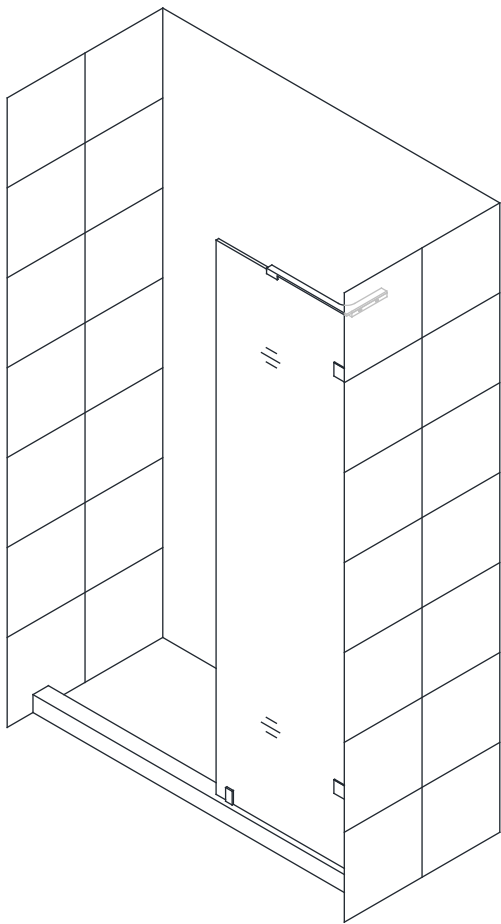


UNIDOOR LUX (STYLE D)

SHOWER DOOR INLINE PANEL GLASS INSTALLATION INSTRUCTIONS

IMPORTANT

DreamLine[®] reserves the right to alter, modify or redesign products at any time without prior notice. For the latest up-to-date technical drawings, manuals, warranty information or additional details please refer to your model's web page on **DreamLine.com**



Right-Hand L-Bracket installation shown



Questions?

Please Call **DreamLine** Customer Support: **1-855-831-2126**
Hours of Operation M-F 8AM - 7PM EST and Saturday 9AM - 5PM EST

Support@DreamLine.com



For more information about DreamLine[®] Shower Doors, Tub Doors & Enclosures, please visit **DreamLine.com**



This model is treated with DreamLine's exclusive ClearMax™ Glass technology. This is a specially formulated coating that prevents the build up of soap and water spots.

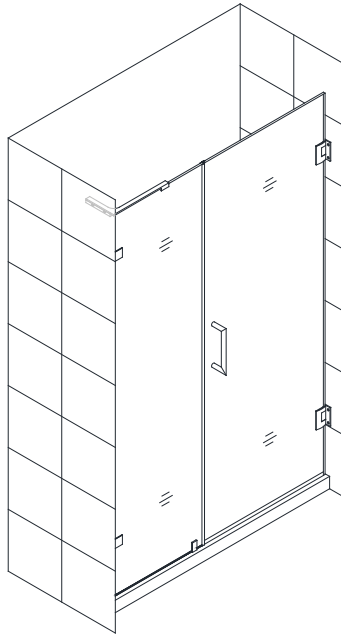
Install the surface with the ClearMax™ label towards the inside of the shower. Please note that depending on the model, the glass may be coated on either one or both surfaces.

For best results, squeegee the glass after each use and dry with a soft cloth.

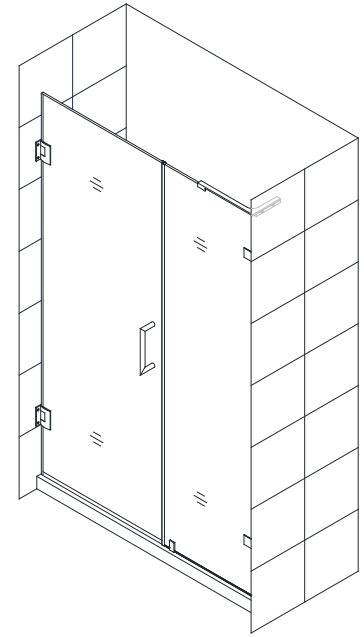
MODEL #s

SHDR-23297210-##
SHDR-23307210-##
SHDR-23317210-##
SHDR-23327210-##
SHDR-23337210-##
SHDR-23347210-##
SHDR-23357210-##
SHDR-23367210-##
SHDR-23377210-##
SHDR-23387210-##
SHDR-23397210-##
SHDR-23407210-##
SHDR-23417210-##
SHDR-23427210-##
SHDR-23437210-##
SHDR-23447210-##
SHDR-23457210-##
SHDR-23467210-##
SHDR-23477210-##
SHDR-23487210-##
SHDR-23497210-##
SHDR-23507210-##
SHDR-23517210-##
SHDR-23527210-##
SHDR-23537210-##
SHDR-23547210-##
SHDR-23557210-##
SHDR-23567210-##
SHDR-23577210-##
SHDR-23587210-##
SHDR-23597210-##
SHDR-23607210-##

##=finish
01- Chrome
04- Brushed Nickel
06- Oil Rubbed Bronze
09- Satin Black

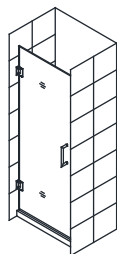


Left-hand bracket installation



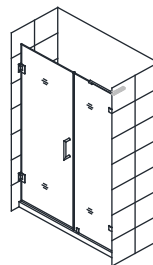
Right-hand bracket installation

UNIDOOR LUX Style D - single door with inline panel, wall brackets & L-bracket



Style A

+



Style D

FIRST Use **Style A** manual that is packaged with the door glass

THEN Use **Style D** manual that is packaged with the panel glass



NOTE: This model is reversible for left or right hand installation and ships with both the Left-hand and Right-hand L-brackets. This manual will show the Right-hand bracket installation. For Left-hand bracket installation, simply begin on the opposite wall, use the Left-handed L-bracket and reverse the orientation of the parts as necessary.

Preparation

1. Prior to installation, examine all boxes and packages for shipping damage and compare the piece count with your packing slip. After opening all boxes and packages read this introduction carefully. Check that all of the needed parts are included in the package by checking off the components on the "Detailed Diagram of Panel Glass Components". If the unit has been damaged, has a finishing defect, or has missing parts, please contact our customer support department within **3 business days** of the delivery date. **Please note that DreamLine® will not replace any damaged products or missing parts free of charge after 3 business days or if the product has been installed.** Feel free to contact DreamLine® if you have any questions, and please provide an order number, job name or other proof of purchase to help identify the original order.

2. **Please note that you should consult your local building codes with questions on installation compliance standards. Building and plumbing codes may vary by location, and DreamLine® is not responsible for code compliance standards for your project and will not accept any returns.**

3. If this unit is going to be installed in a new construction, please install all of the required plumbing and drainage before installing the shower. Use a competent and licensed (if required by local code) plumber for all plumbing installation

4. Please make sure that prior to beginning the installation, the surfaces are leveled and solid and will be able to support the total weight of the unit. Also make sure the walls are at right angles. Irregular installation surface level, radius corners or improper angle of side walls will result in serious problems for your installation. Please, note that some adjustments and drilling might be necessary during the installation process.

5. Please protect all primary surfaces of the product during installation. Never set your glass down directly onto a tile floor. Leave corner protectors in place until necessary to remove them. Always use a piece of wood or cardboard to protect the bottom edge and corners of the glass prior to and during installation.

6. **This unit must be installed upon a finished threshold and against finished walls.**

7. This model requires a minimum **5/8"** of flat threshold space for installation.

8. **NOTE: This unit requires that you drill down into the threshold for proper installation.**

9. **This model does NOT have any adjustment for out of plumb conditions.**
NOTE: Verify that your walls are plumb before proceeding with the installation.

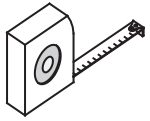
10. **Installation into studs is required for all glass-to-wall hinges.**

11. **Professional installation recommended.**

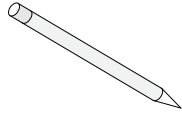


To prevent serious injury, do not lean against the installed panel glass.

Tools



Tape Measure



Pencil



Phillips Screwdriver



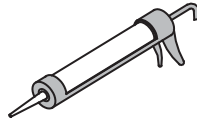
Drill bit
Ø5/16"
(8mm)



Drill bit
Ø1/8"
(3mm)



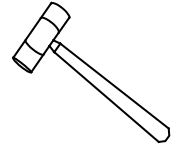
Level



Silicone



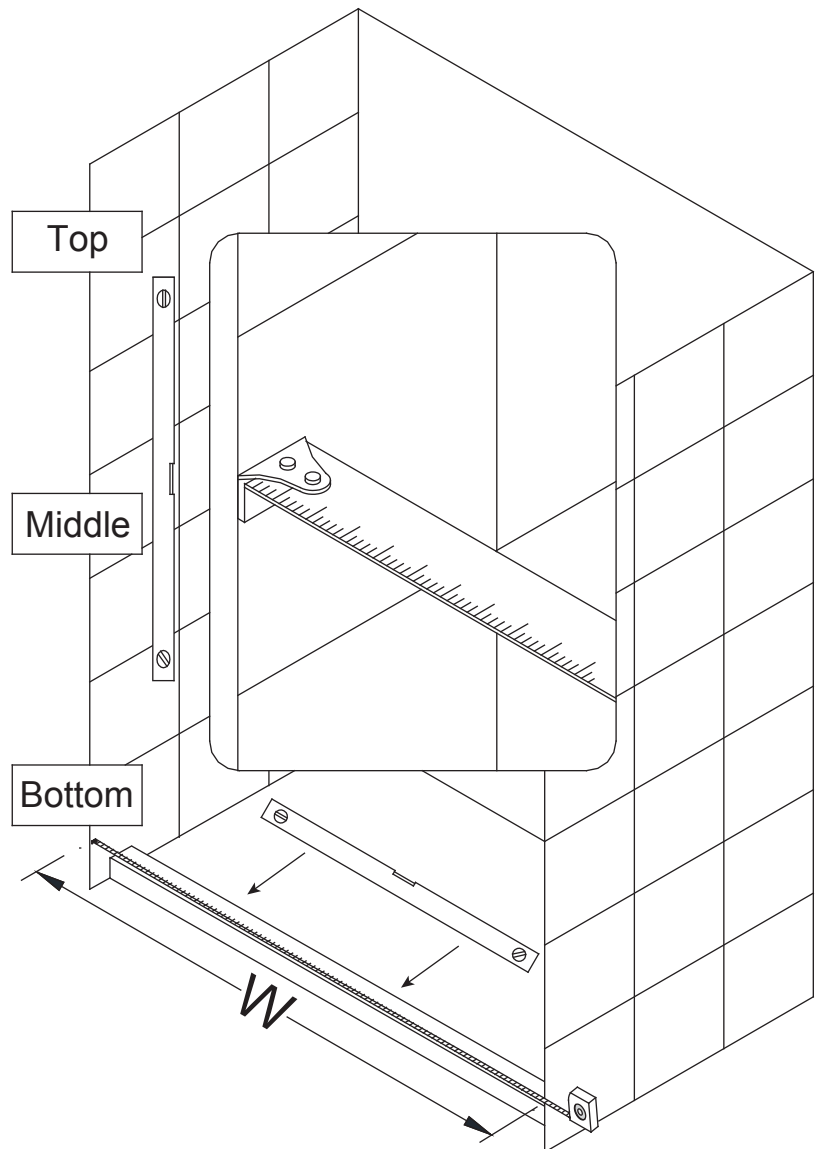
Power Drill



Hammer

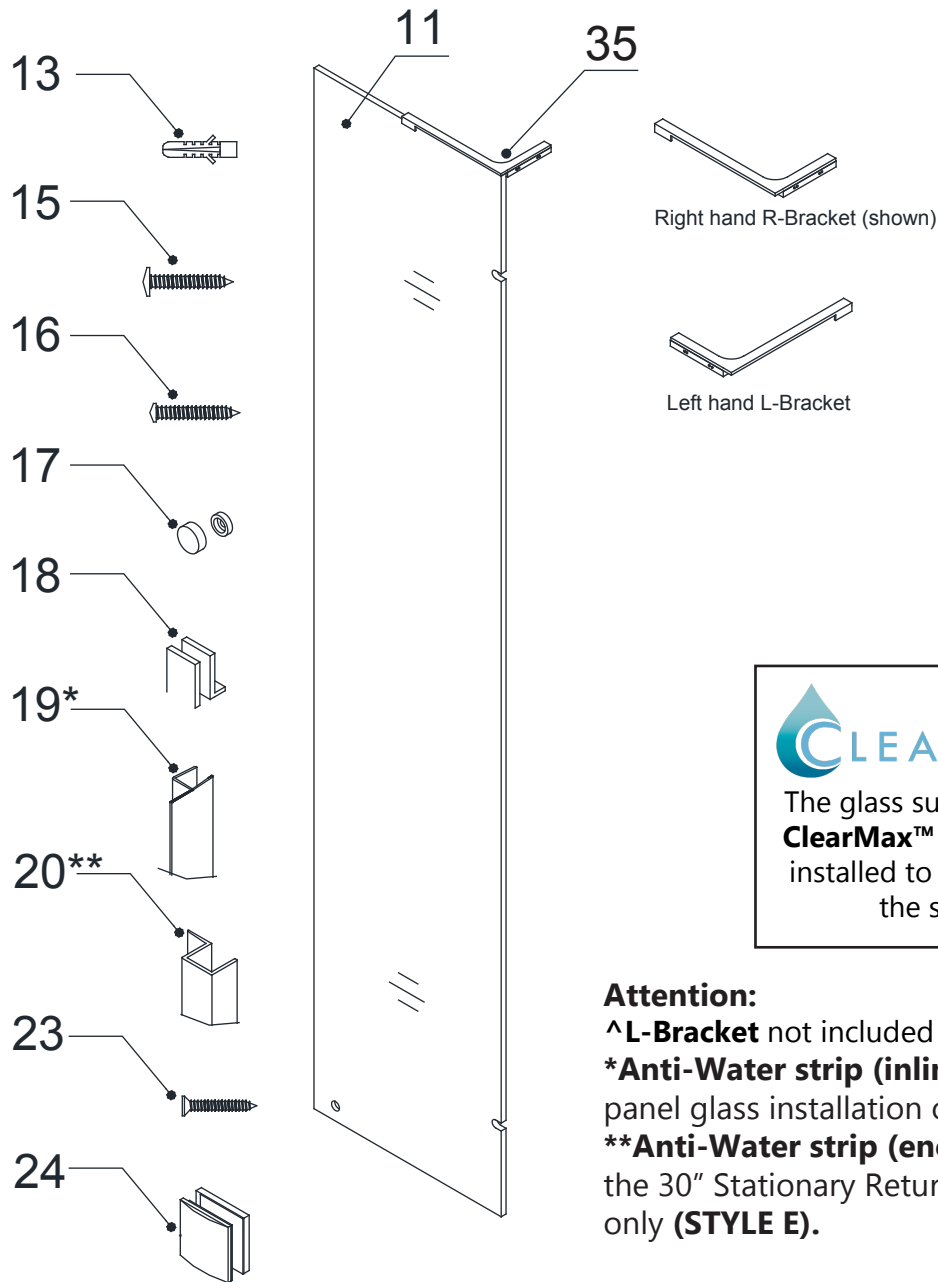
Tip: Measure the finished opening before proceeding with the installation to be sure that the correct model size has been ordered.

Tip: Prior to installation, cover the shower/tub drain with tape to prevent losing screws or small parts.



NOTE: Retain these installation instructions for future reference.

Detailed Diagram of Panel Glass components



CLEARMAX™
 The glass surface with the **ClearMax™** label must be installed to face inside of the shower

Attention:
 ^**L-Bracket** not included for 6" panel installation
 ***Anti-Water strip (inline) (#19)** is used for inline panel glass installation only (**STYLE D**).
 ****Anti-Water strip (enclosure) (#20)** is used for the 30" Stationary Return panel glass installation only (**STYLE E**).

Parts List

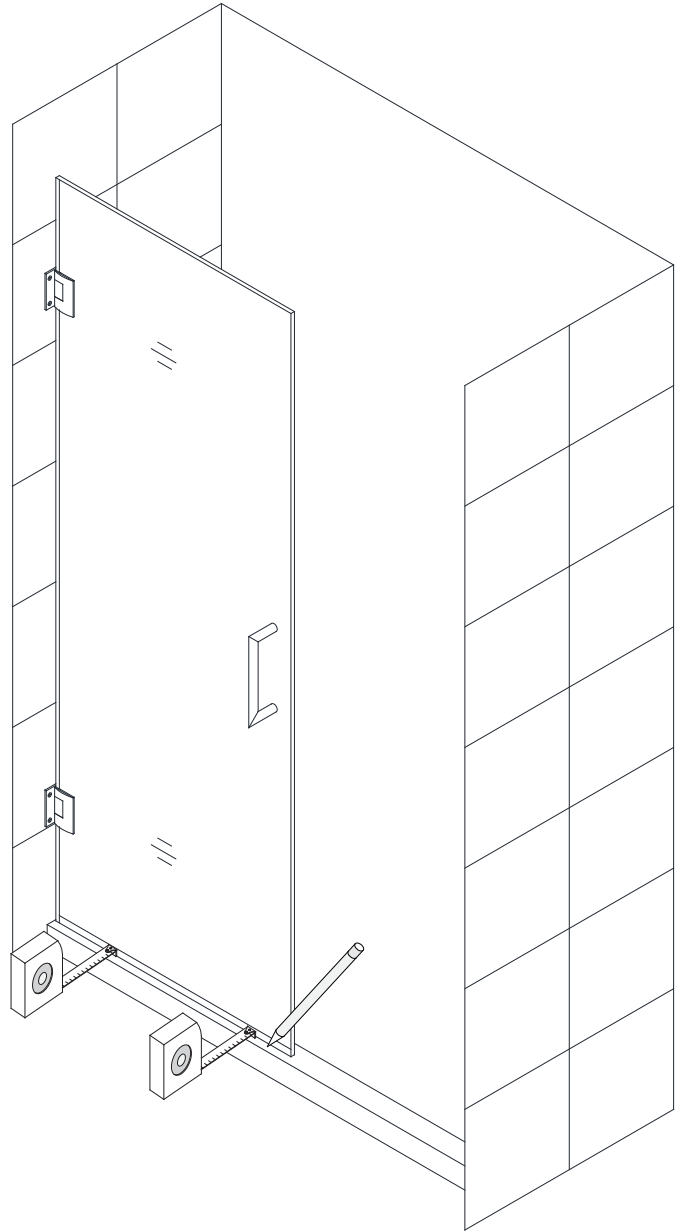
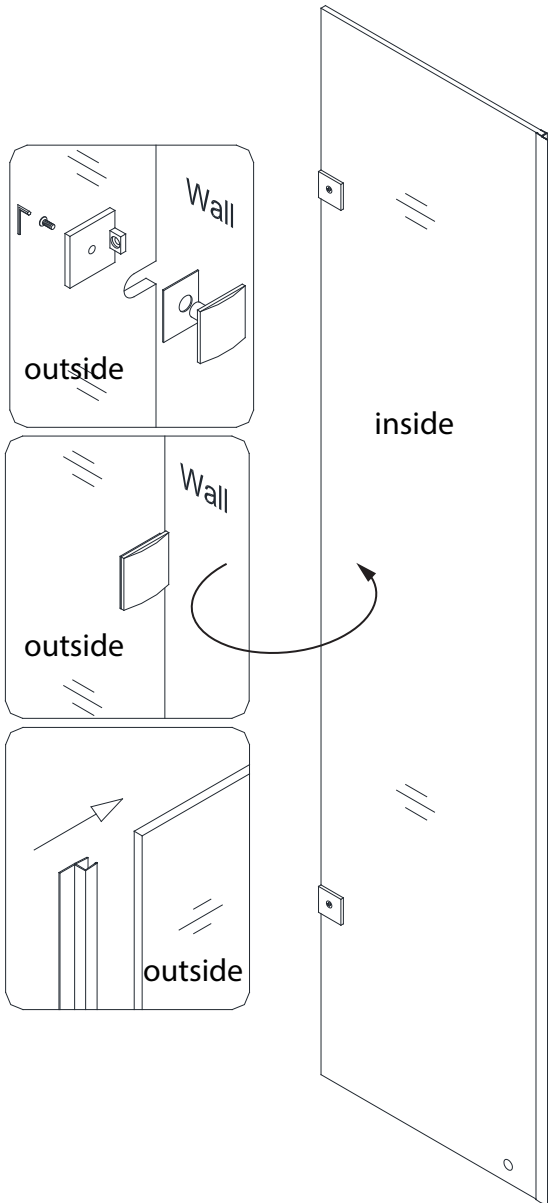
11	Stationary glass	1pc	19	Anti-Water strip (inline panel) *	1pc
13	Wall anchor	2pcs	20	Anti-water strip (enclosure)**	1pc
15	Big flat head screw ST4.2×55	2pcs	23	Countersunk screw ST4.2×40	1pc
16	Round head screw ST4.2×35	1pc	24	Wall bracket	2pcs
17	Decorative screw cover	1pc	35	L-bracket (left & right)^	1each
18	Bottom bracket	1pc			

NOTE: Unpack your unit carefully and inspect it. Lay it out and identify all parts using the detailed diagram and packing list in this manual as a reference. Before discarding the carton, check for small hardware bags that may have fallen to the bottom of the box. If any parts are damaged or missing, please contact DreamLine® for replacement. The shipping boxes may contain extra parts not used in your model configuration.

UNIDOOR LUX Style D

6" Small or 14"-30" Large Stationary Panel Installation

NOTE: The Unidoor shower door needs to be installed prior to proceeding with the following Stationary Glass installation instructions. Please see the Unidoor Single Shower Door Style A installation manual included in the door packaging for complete shower door installation instructions. Before you begin the installation, please recheck your shower opening size. Specific size information can be found on DreamLine.com.



NOTE: The 22" Inline Stationary Glass Panel is the primary example shown throughout this installation manual.

* The 6" Inline Stationary Panel Glass does not include the **L-Bracket (#35)** installation; follow installation steps #1-8 & step #12.

* For panel glass larger than 6" that requires the **L-Bracket (#35)**, follow all of the installation steps #1-12.

NOTE: The Unidoor hinge is factory set to overclose by 8°. The following procedure is recommended to ensure proper alignment of the panel glass with the door glass. Details regarding the Adjustable hinge features can be found in the door manual.

1. Align the **Door** so that it is perpendicular to the wall and parallel to the threshold. Measure across the bottom span of the **Door** and threshold on the outside of shower and determine an equal value. Mark a line on the threshold on the handle side.

(Fig 1)

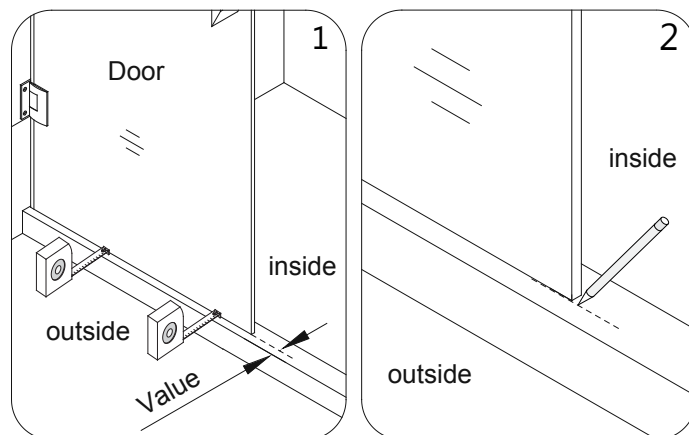


Fig 1

NOTE: Use parts from “Detailed Diagram of Panel Glass Components” for the Stationary Glass assembly and installation.

2. Mount the two **Wall Brackets (#24)** through the notches on the **Stationary Glass (#11)**. Press the **Anti-Water Strip (inline panel) (#19)** onto the vertical edge of the **Stationary Glass (#11)**.

Attach the **Bottom Bracket (#18)** through the bottom hole of the **Stationary Glass (#11)**.

(Fig 2)

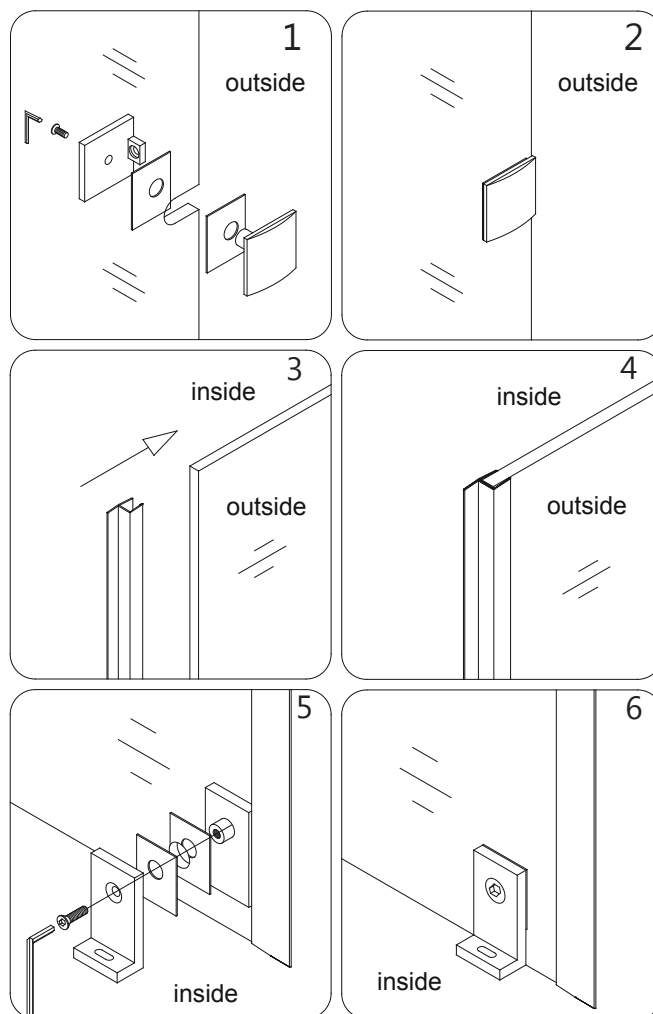


Fig 2

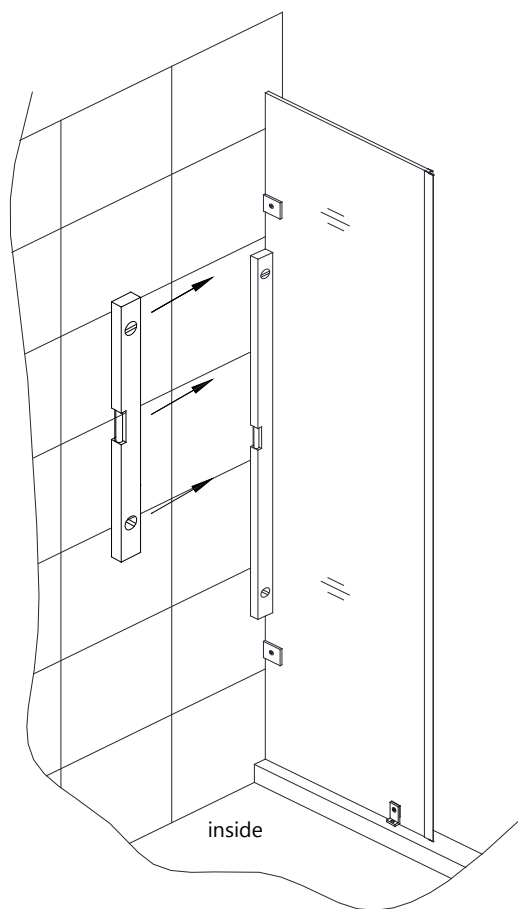


Fig 3

3. Carefully butt the **Stationary Glass (#11)** up against the wall vertically. **(Fig 3)**

4. While securely holding the **Stationary Glass (#11)**, close the installed **Door Glass** and align the **Stationary Glass (#11)** to it. Use the door mark that was made in step #1 on the threshold as a reference to ensure that the **Door** is perpendicular to the wall. Adjust the position of the **Stationary Glass (#11)** so that the **Anti-Water Strip (inline panel) (#19)** makes tight contact to the **Door Glass** from top to bottom. **(Fig 4)**

NOTE: The top of the **Stationary Glass (#11)** must be level with the Door Glass. **(Fig 4.3)**

5. Outline the position of the **Wall Brackets (#24)** on the wall from inside the shower. Mark the drilling hole of the **Bottom Bracket (#18)** on the shower base or threshold through the bracket hole. **(Fig 4)**

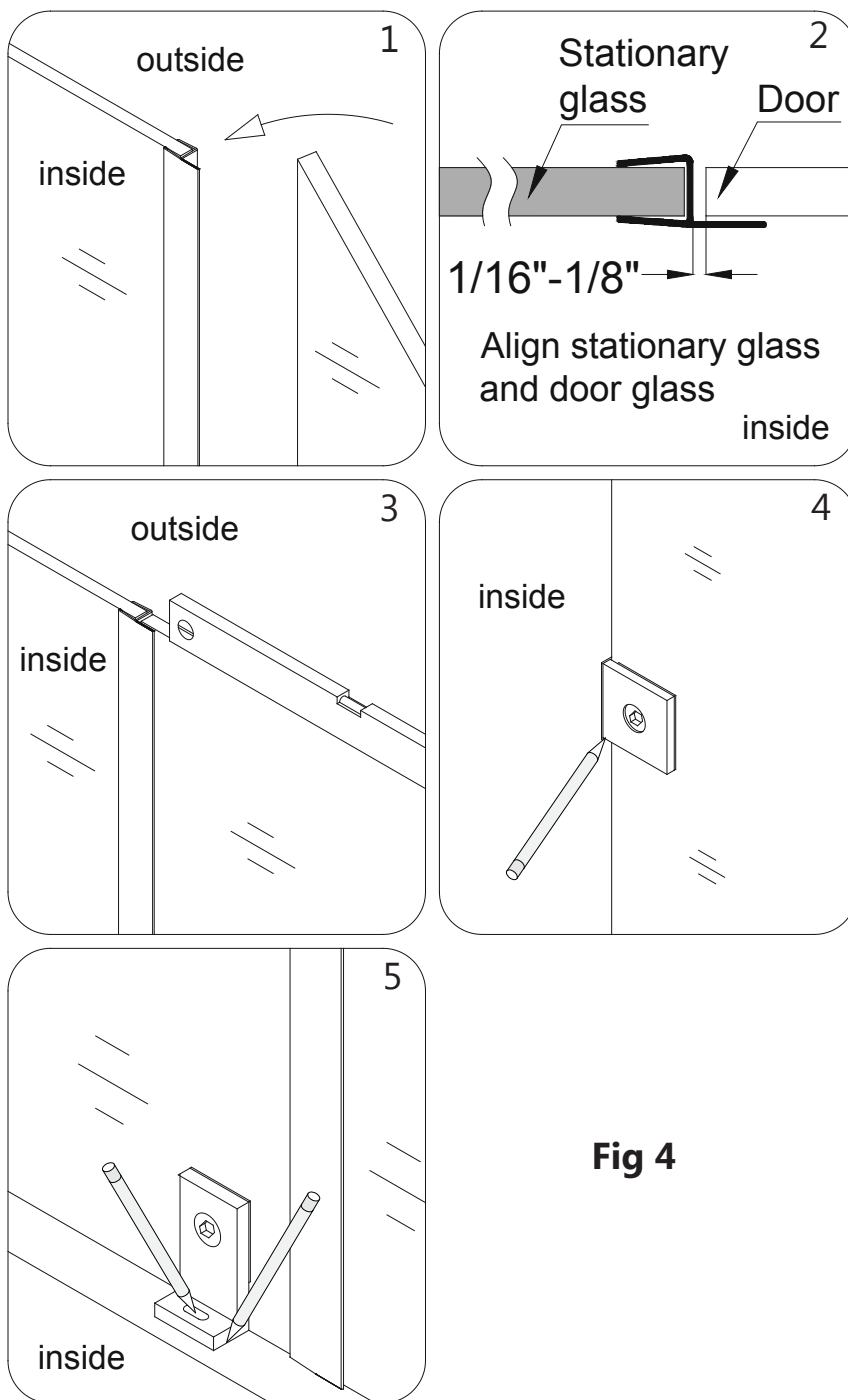


Fig 4

6. Open the **Door Glass** and carefully set the **Stationary Glass (#11)** aside.
 Remove the **Wall Brackets (#24)** and **Bottom Bracket (#18)** from the **Stationary Glass (#11)**.
 Replace the **Wall Brackets (#24)** to the outlined positions that were made in **step #4** and mark the drill holes on the wall.
 Drill the holes using a **Ø5/16"** drill bit, insert a **Wall Anchor (#13)** and fasten the **Wall Brackets (#24)** to the wall with the **Big Flat Head Screws ST4.2×55 (#15)**. (**Fig 5**)

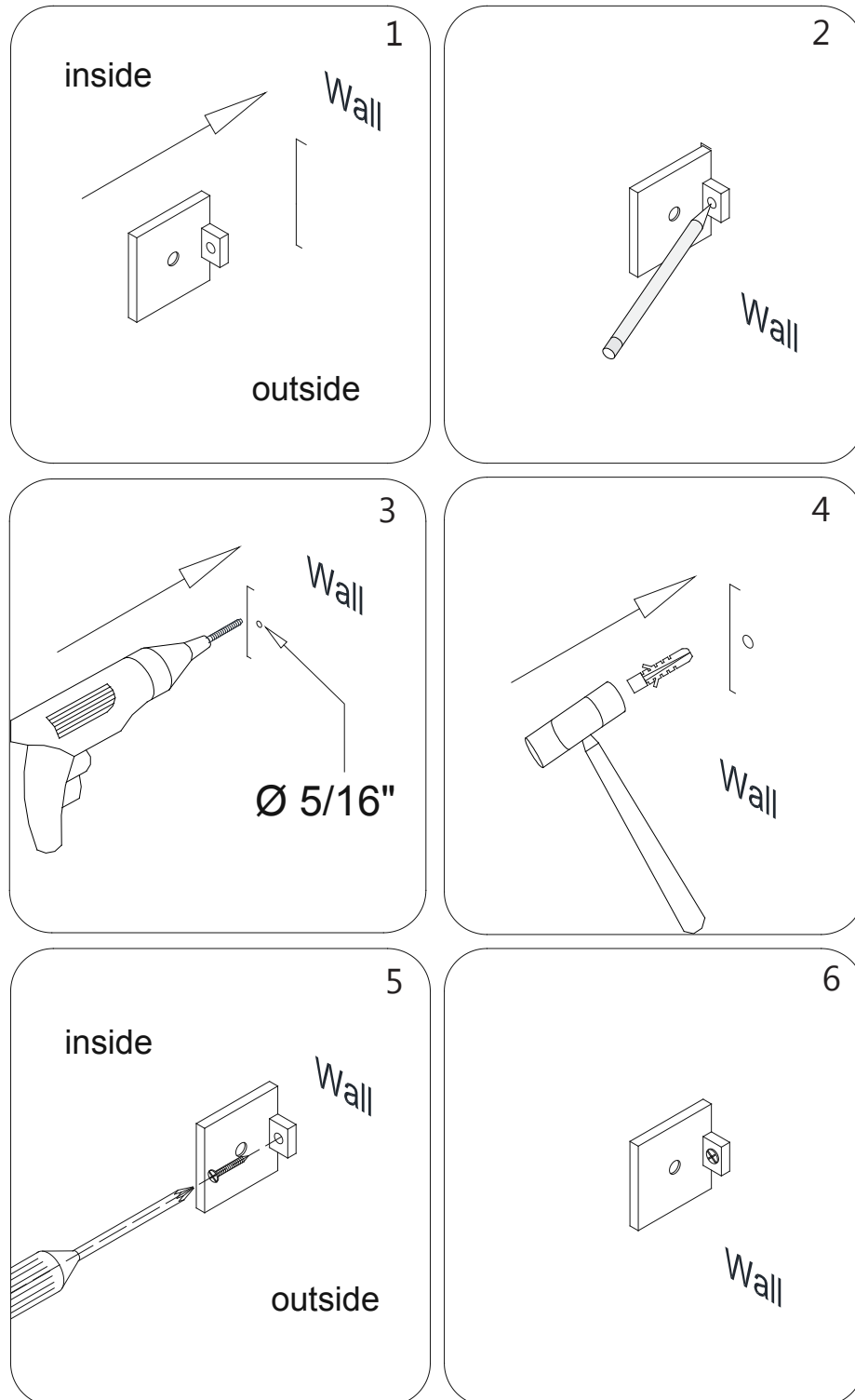


Fig 5

7. Drill the hole for the **Bottom Bracket (#18)** into the shower base or threshold at the mark that was made in **step #4**.

**** Use an $\varnothing 1/8''$ drill bit for installation into an acrylic base OR use a $\varnothing 5/16''$ drill bit and an anchor for installation into a tile threshold. Use the **Round Head Screw ST4.2x35 (#16)** along with a raised white washer to attach the **Bottom Bracket (#18)** to the shower base or threshold. (Fig 6)**

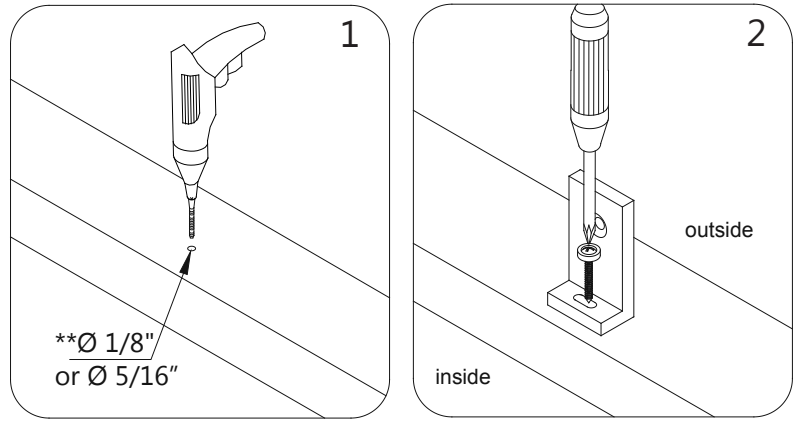


Fig 6

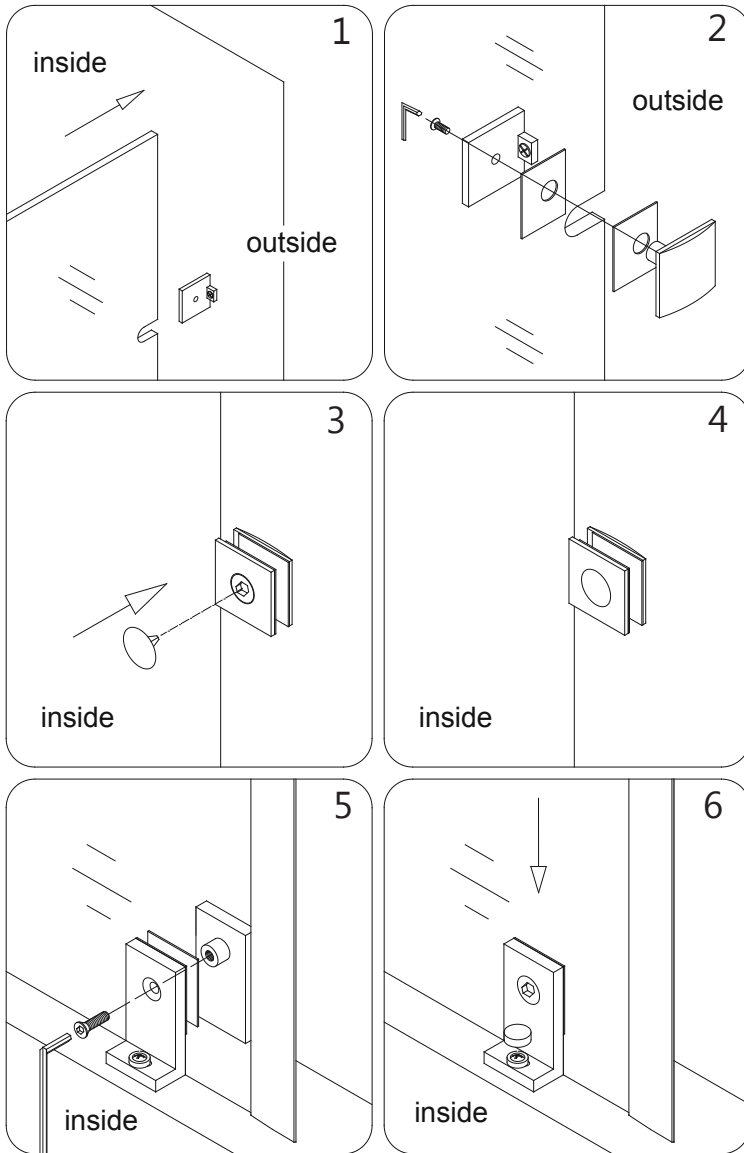


Fig 7

8. Move the **Stationary Glass (#11)** back into position, and assemble the **Wall Brackets (#24)**. Assemble the **Bottom Bracket (#18)** onto the **Stationary Glass (#11)**. Cover the **Bottom Bracket (#18)** screw head with **Decorative Screw Cover (#17)**. (Fig 7 & 8)

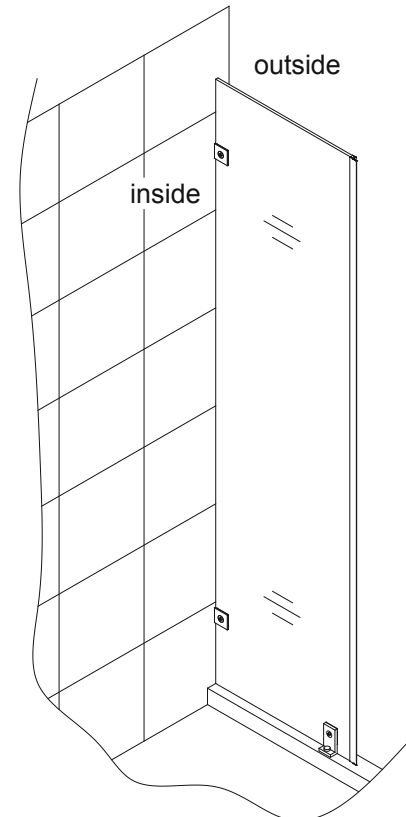


Fig 8

NOTE:

If installing the 6" panel glass, this part of the installation is complete, go to step #12.

If installing larger (14"~30") panel glass, continue onto step #9 to install the L-Bracket (#35).

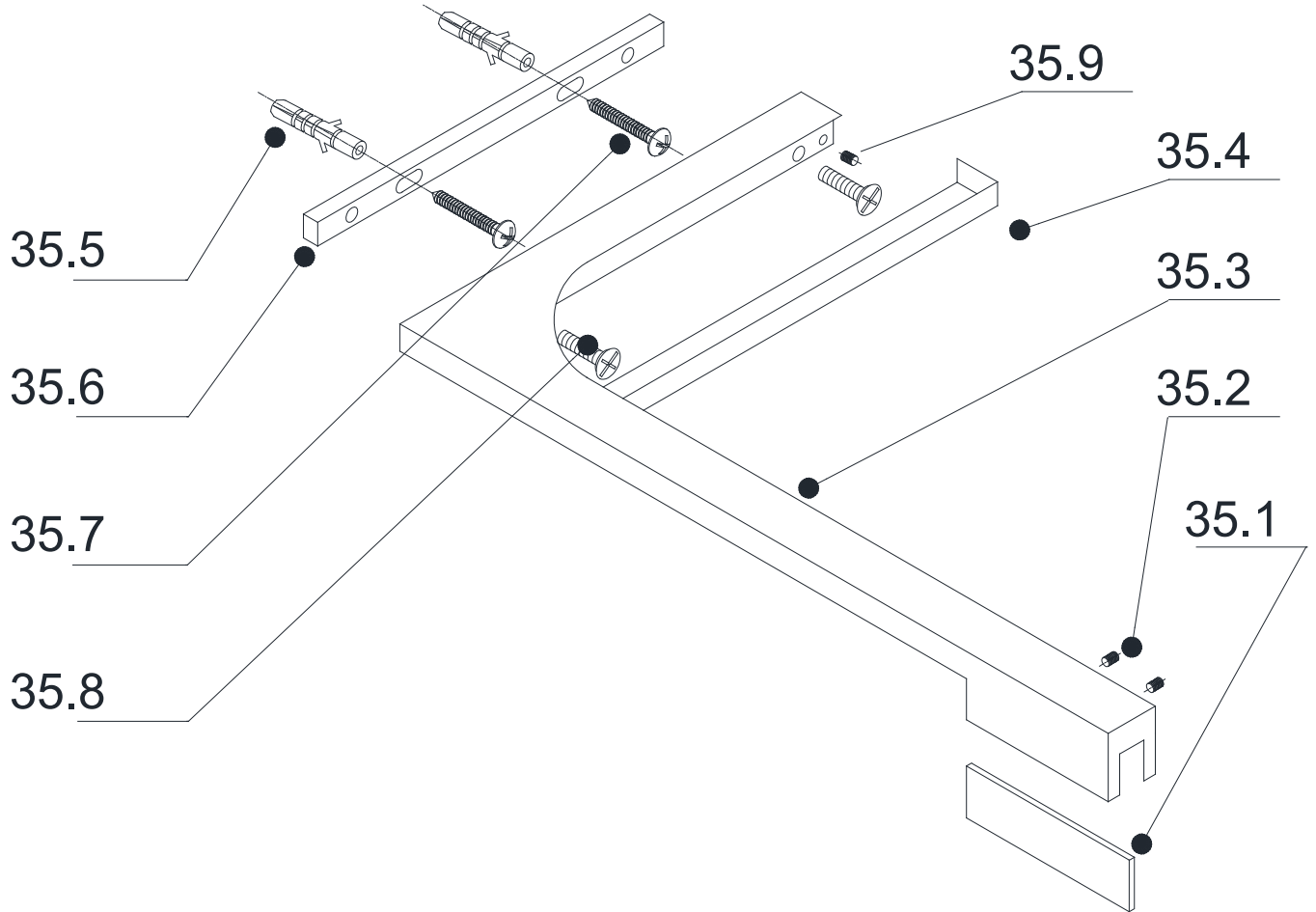
L-Bracket Assembly Parts List**

(Left-hand Bracket shown)

Box codes:

SHDR-AC20023L-##

SHDR-AC20023R-##



Parts List

35.1	PVC spacer	1 pc	35.6	Wall plate	1 pc
35.2	Rubber tip set screw	2 pcs	35.7	Truss Head Screw ST 4.2 x 40	2 pcs
35.3	L-Bracket (left hand shown)	1 pc	35.8	Flat head Screw M5 x 14	2 pcs
35.4	Decorative cover	1 pc	35.9	Wall Plate adjustment set screw	2 pcs
35.5	Ø5/16" Wall anchor	6 pcs			

****L- Bracket Assembly not included with the 6" hinge panel**

9. Position the **L-Bracket Assembly (#35.3)** onto the **Stationary Glass (#11)** as shown and mark its position. Remove the **Wall Plate (#35.6)** from the **L-Bracket**. Position the **Wall Plate (#35.6)** on the marks on the wall. Check for level and mark the holes on the wall for drilling through the wider, untapped holes (**Fig 9.2**). Drill two **Ø5/16" (8mm)** holes and insert the **Ø5/16" Wall Anchors (#13)**. (**Fig 9**)

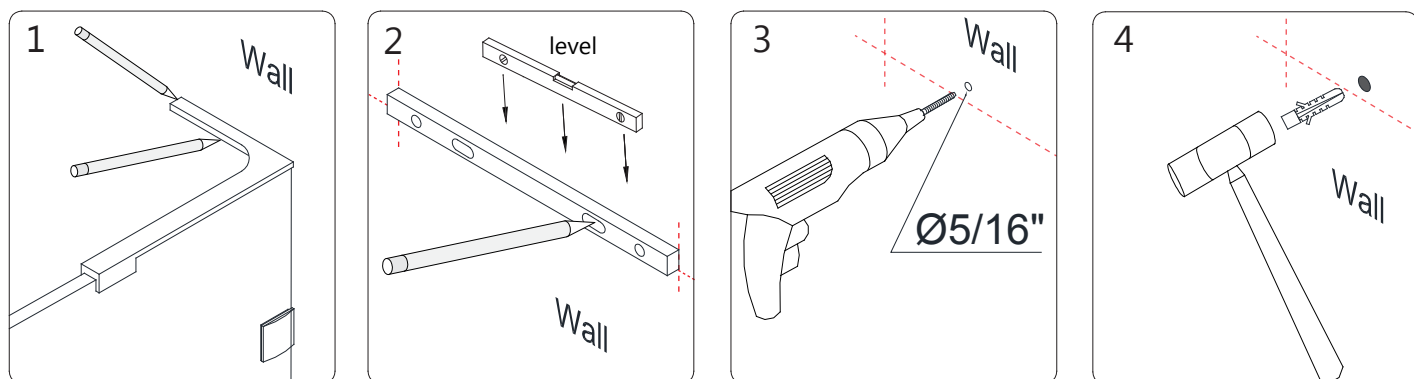


Fig 9

10. Attach the **Wall Plate (#35.6)** to the wall using the **ST4.2 x 40 (#23)** screws. Re-attach the **L-Bracket (#35.3)** to the **Wall Plate (#35.6)** using the **Flat Head Screw M5x14 (#35.8)** and adjust the angle if necessary by using the **Wall Plate Adjustment Set Screws (#35.9)**. (**Fig 10**)

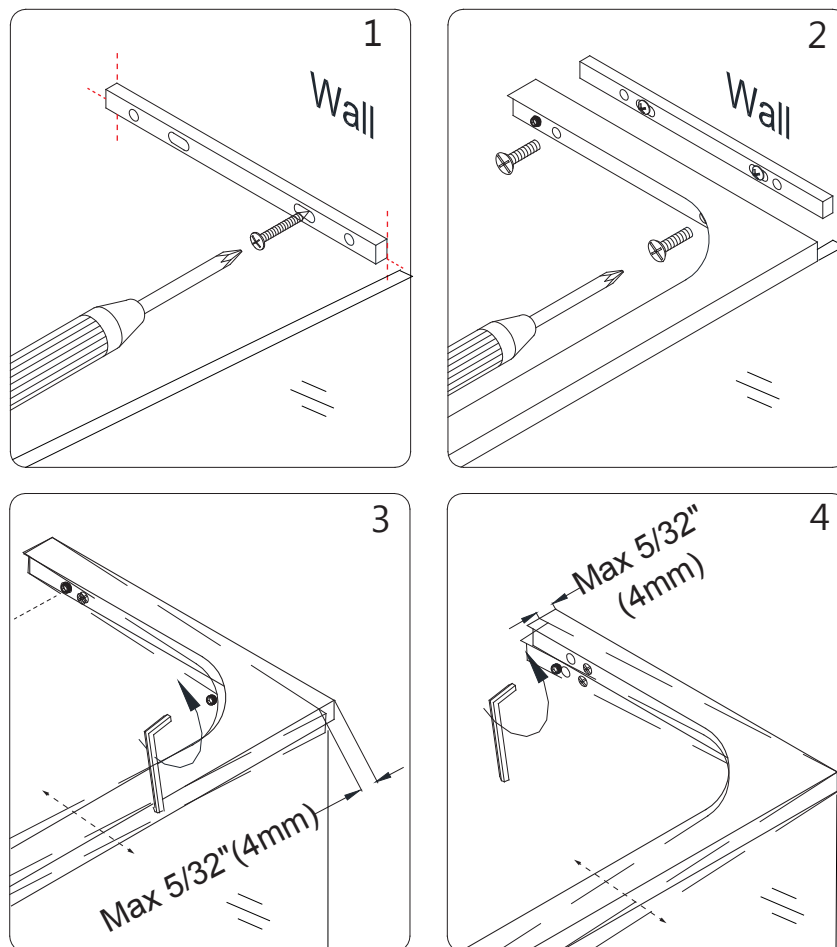


Fig 10

11. Adjust the **Stationary Glass (#11)** to plumb and tighten the wall screws.

Attach the **Decorative Cover (#04)**.

Secure the **L-Bracket (#05)** to the top of the **Stationary Glass** using the rubber-tipped set screws and clear rubber gasket. **Do not overtighten!** (Fig 11, 12 & 13)

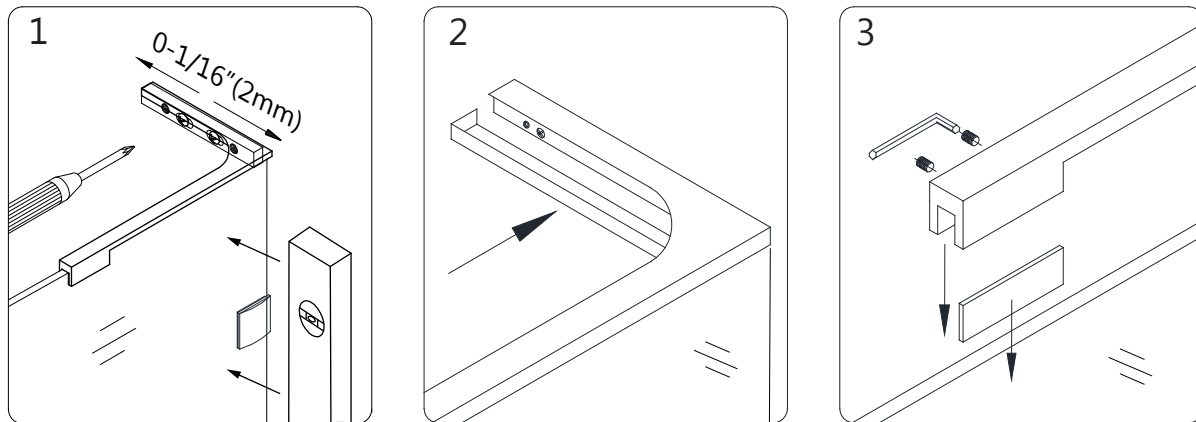
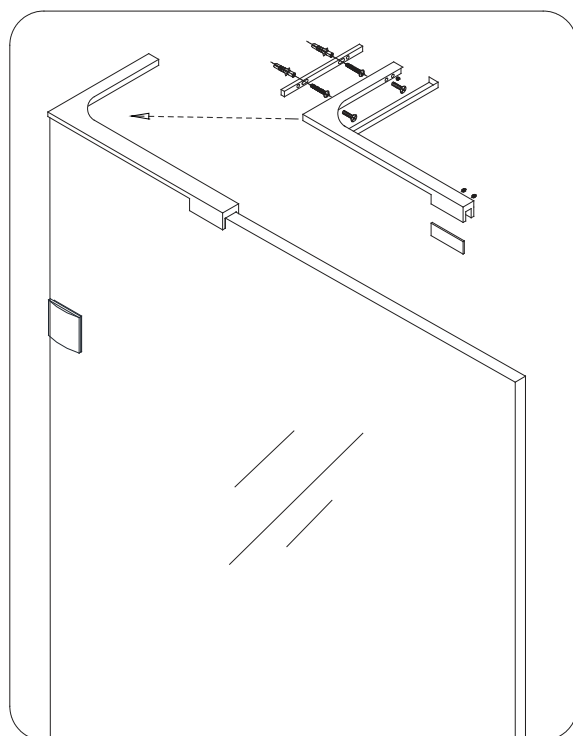
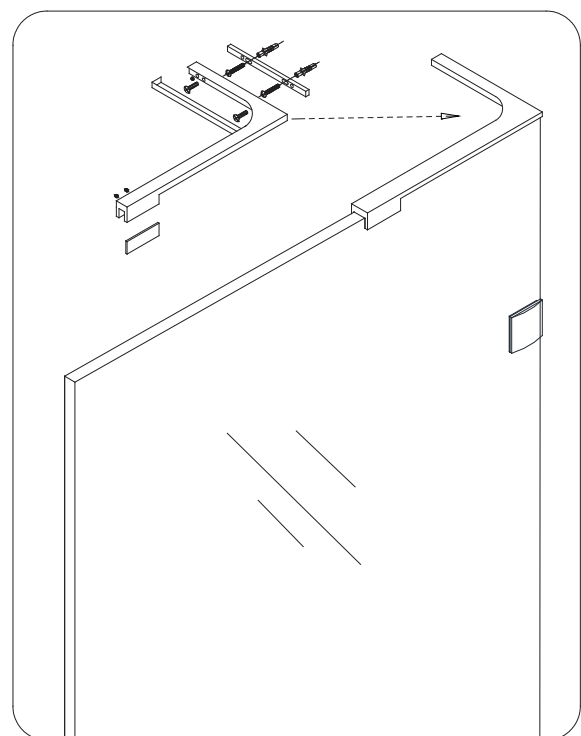


Fig 11



Left-hand L-Bracket installation



Right-hand L-Bracket installation

Fig 12

**NOTE: The Right-hand L-bracket installation is shown.
Follow the same steps for installing the Left-hand L-bracket.**

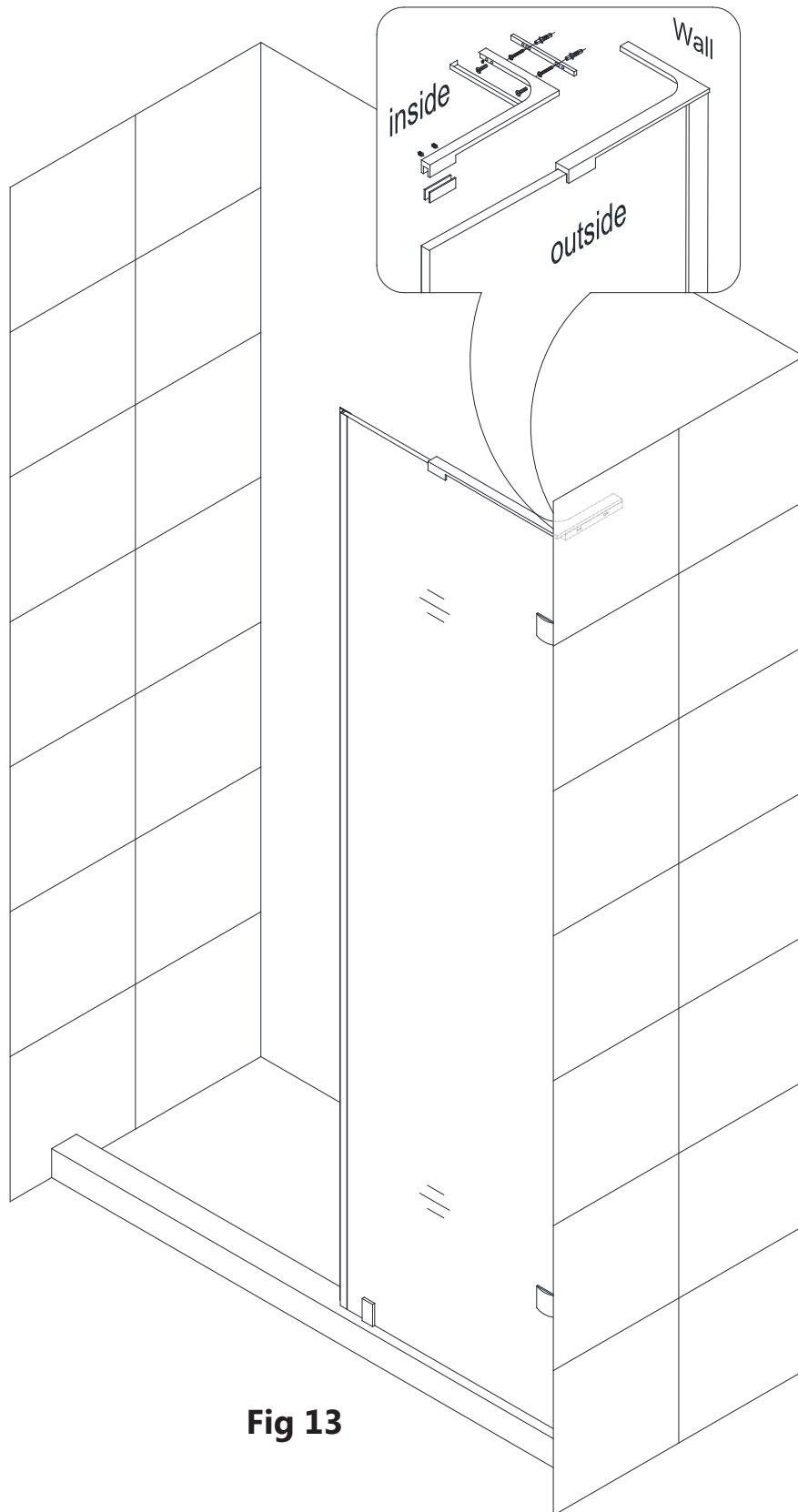


Fig 13

12. Apply a good quality mildew-resistant silicone along the connection of the **Stationary Glass (#11)** with the walls and the threshold.

Allow 24 hours for the silicone to fully cure before using the shower. (Fig 14)

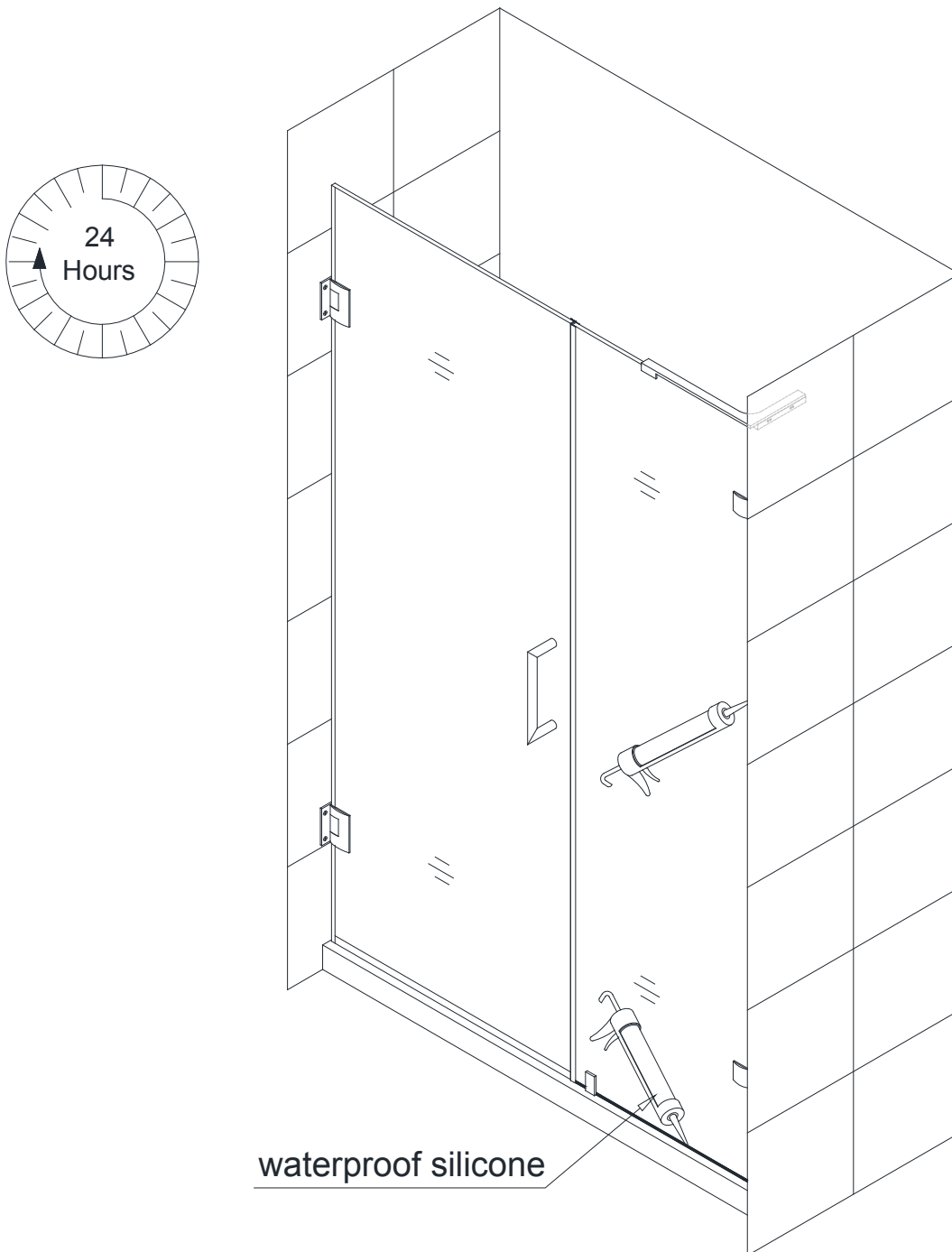


Fig 14

Product Maintenance

BASES and BACKWALLS: To ensure long lasting life for your acrylic back walls: wipe them off after each use with a soft cloth. To clean the acrylic back walls use non-abrasive sprays or cream based cleaners. Avoid the use of aerosol spray cleaners. Never use abrasive cleansers, metal brushes or scrapers that could scratch or dull the surface.

GLASS: To ensure long lasting life for your glass shower products: wipe them off after each use with a soft cloth. Rinse and wipe off the glass using either a soft cloth or a squeegee to prevent soap buildup and water spots (Hard water can etch the surface of the glass over time if left to dry). To prevent scratching the surface: never use abrasive cleaners or cleaning products that contain scouring agents. Never use bristle brushes or abrasive sponges that may scratch the surface.

HARDWARE: To ensure a long lasting finish: wipe off the metal parts after each use with a soft cloth. Do not use abrasive cleaners or cleaning products containing ammonia, bleach or acid. If accidentally used, rinse the surface as soon as possible to prevent damage to the finish (peeling or corrosion). After cleaning the polished finishes, rinse thoroughly and wipe dry with soft cloth. Clean stainless steel surfaces at least once a week. When applying stainless steel cleaner or polish to stainless steel hardware, work with (not across) the grain. Never use an abrasive sponge or cloth, steel wool or wired brush as these may permanently scratch the surfaces.

NOTE: To maximize the life of your door, it is important to regularly inspect the glass and all hardware for misalignment, proper attachment, and/or damage. Contact DreamLine with any questions or concerns.



TEL: 866-731-2244
FAX: 866-857-3638
DREAMLINE.COM

For more information on DreamLine[®] Shower Doors and Enclosures please visit **DreamLine.com**