

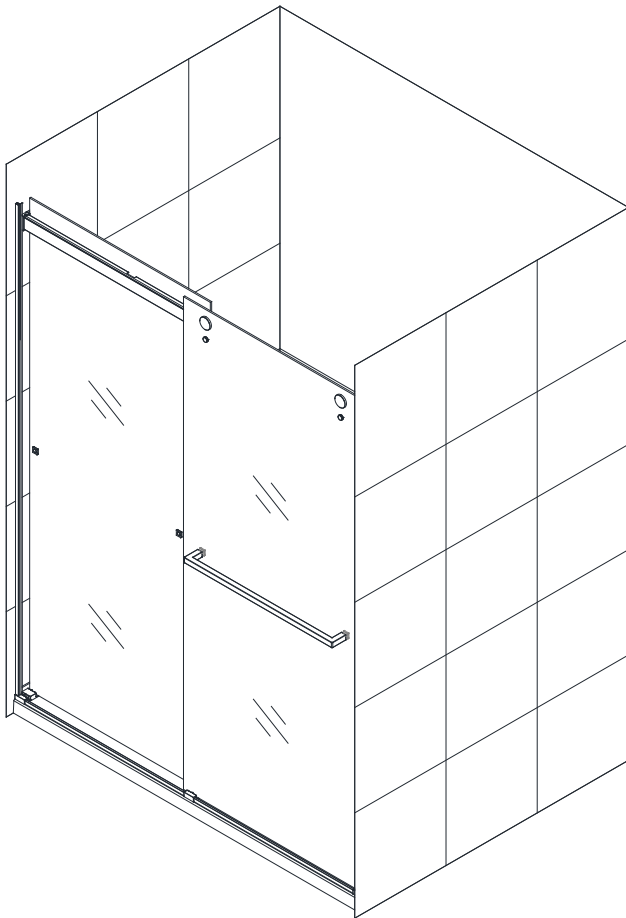


ESSENCE

Shower / Tub Door Installation Instructions

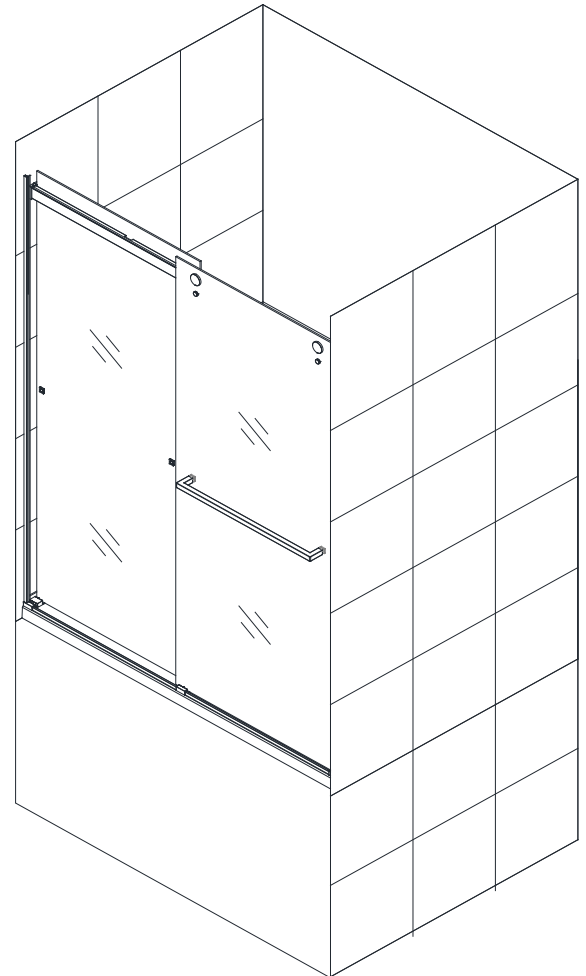
IMPORTANT

DreamLine® reserves the right to alter, modify or redesign products at any time without prior notice. For the latest up-to-date technical drawings, manuals, warranty information or additional details please refer to your model's web page on **DreamLine.com**



model#s

SHDR-6348760-##
SHDR-6360760-##



model#

SHDR-6360600-##

##=finish
01- Chrome
04- Brushed Nickel

Please read these instructions carefully before installing. If you have any questions regarding installation, please contact our technical support specialists Monday through Friday 8:00 AM – 7:00 PM EST at Phone: 1-866-731-2244, Fax: 1-866-857-3638 or e-mail our technical support group at **Support@DreamLine.com**

For more information about DreamLine® Shower Doors & Tub Doors please visit **DreamLine.com**

Preparation

1. Prior to installation, examine all boxes and packages for shipping damage and compare the piece count with your packing slip. After opening all boxes and packages read this introduction carefully. Check that all of the needed parts are included in the package by checking off the components on the "Detailed Diagram of Shower Door Components". If the unit has been damaged, has a finishing defect, or has missing parts, please contact our customer support department within **3 business days** of the delivery date. **Please note that DreamLine® will not replace any damaged products or missing parts free of charge after 3 business days or if the product has been installed.** Feel free to contact DreamLine® if you have any questions and please provide an order number, job name or other proof of purchase to help identify the original order.
2. Please note that you should **consult your local building codes with questions on installation compliance standards.** Building and plumbing codes may vary by location, and **DreamLine® is not responsible for code compliance standards for your project and will not accept any returns.**
3. If this unit is going to be installed in a new construction, please install all of the required plumbing and drainage before installing the shower. Use a competent and licensed (if required by local code) plumber for all plumbing installation.
4. Please make sure that prior to beginning the installation, the surfaces are leveled and solid and will be able to support the total weight of the unit. Also make sure the walls are at right angles. Irregular installation surface level, radius corners or improper angle of side walls will result in serious problems for your installation. Please, note that some adjustments and drilling might be necessary during the installation process.
5. Please protect all primary surfaces of the product during installation. Never set your glass down directly onto a tile floor. Leave corner protectors in place until necessary to remove them. Always use a piece of wood or cardboard to protect the bottom edge and corners of the glass prior to and during installation.
6. This unit must be installed upon a finished threshold and against finished walls.
7. **This model does NOT have any adjustment for out of plumb conditions.** Verify that your walls are plumb before proceeding with the installation.
8. **This model requires a minimum 2-3/4" of flat threshold space for installation.**
9. These instructions will show the installation of the shower door as an example.. Please follow the same steps for the installation of the tub door.

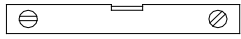
NOTE:

DO NOT install the towel bars on the glass until instructed to do so.

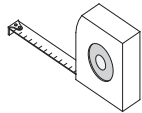
DO NOT lift the glass using the towel bars. This could result in damage to the glass and/or serious personal injury. Always use an assistant or a professional grade glass suction cup when handling heavy glass.



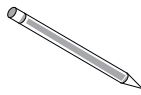
Tools



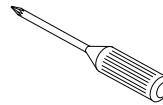
Level



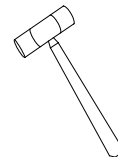
Tape Measure



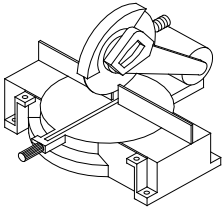
Pencil



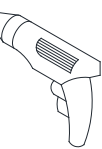
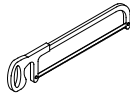
Phillips Screwdriver



Hammer



Miter saw or Hacksaw



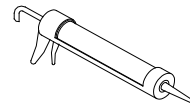
Power Drill



Drill bit
(Ø=5/16")
(Ø=8mm)



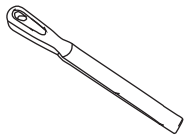
Drill bit
(Ø=1/8")
(Ø=3mm)



Silicone



Painter's Tape

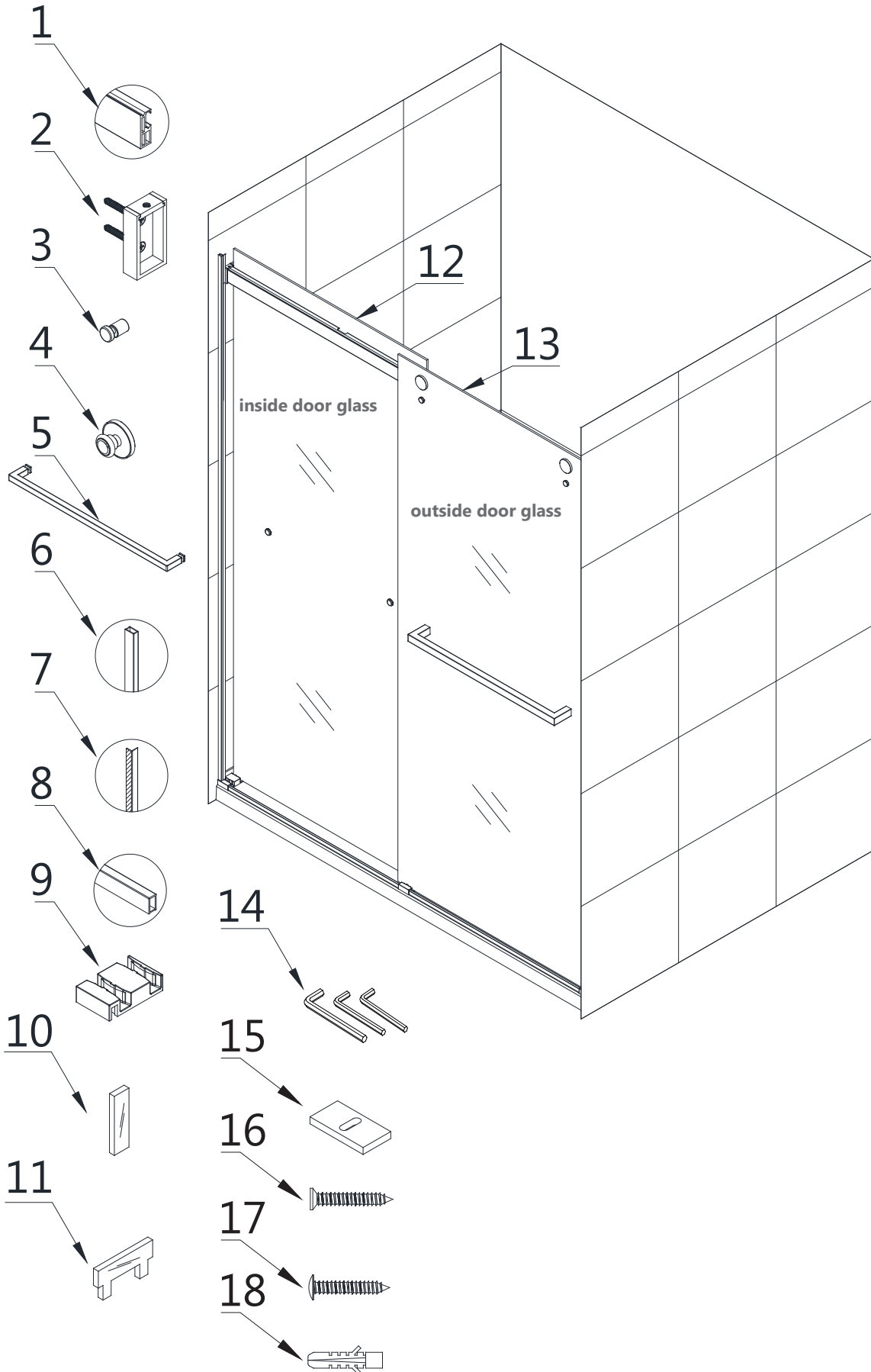


Metal File

NOTE: Unpack your unit carefully and inspect it. Identify all parts using the detailed diagram and packing list in this manual as a reference. Before discarding the carton, check for small hardware bags that may have fallen to the bottom of the box. If any parts are damaged or missing, please contact DreamLine® for replacement. The shipping boxes may contain extra parts not used in your model configuration.

NOTE: Retain these installation instructions for future reference.

Detailed Diagram of shower door components



Detailed Diagram of shower door components

Parts List

#	Item	Qty	#	Item	Qty
01	Upper Guide Rail	1pc	10	Upper Bumper	4pcs
02	Wall Bracket Assembly	2pcs	11	Bottom Bumper	2pcs
03	Roller Guard	2pcs	12	Inside Door Glass	1pc
04	Roller	4pcs	13	Outside Door Glass	1pc
05	Towel Bar	2pcs	14	Allen Wrench: 2.5mm / 3mm / 4mm	1 each
06	Wall Profile	2pcs	15	Guide block bracket	3pcs
07	Anti-water side strip	2pcs	16	Countersunk screw ST4.2x40	4 pcs
08	Bottom Rail	1pc	17	Truss Head Screw ST4.2x40	3 pcs
09	Guide Block	3pcs	18	Φ5/16" (8mm) wall anchors	7 pcs

Boxes

#	Box	Package Contents by part#
1	Glass Box	7. 12. 13
2	Profile and Acc Box	1. 2. 3. 4. 5. 6. 8. 9. 10. 11. 14. 15. 16. 17. 18
3	Spare Acc Box	10. 11 - 1 pc/ea Φ5/16" (8mm) anchors, countersunk screw ST4.2x40 - 3 pcs/ea

Installation steps

1. Measure the finished opening width at the bottom and at the model height. Use these dimensions as “**W1**” (**top**) and “**W2**” (**bottom**) in step #2. Also check the threshold for level and the walls for plumb.

Note: This model does not have adjustment for out-of-plumb conditions.

See Fig 1 for details

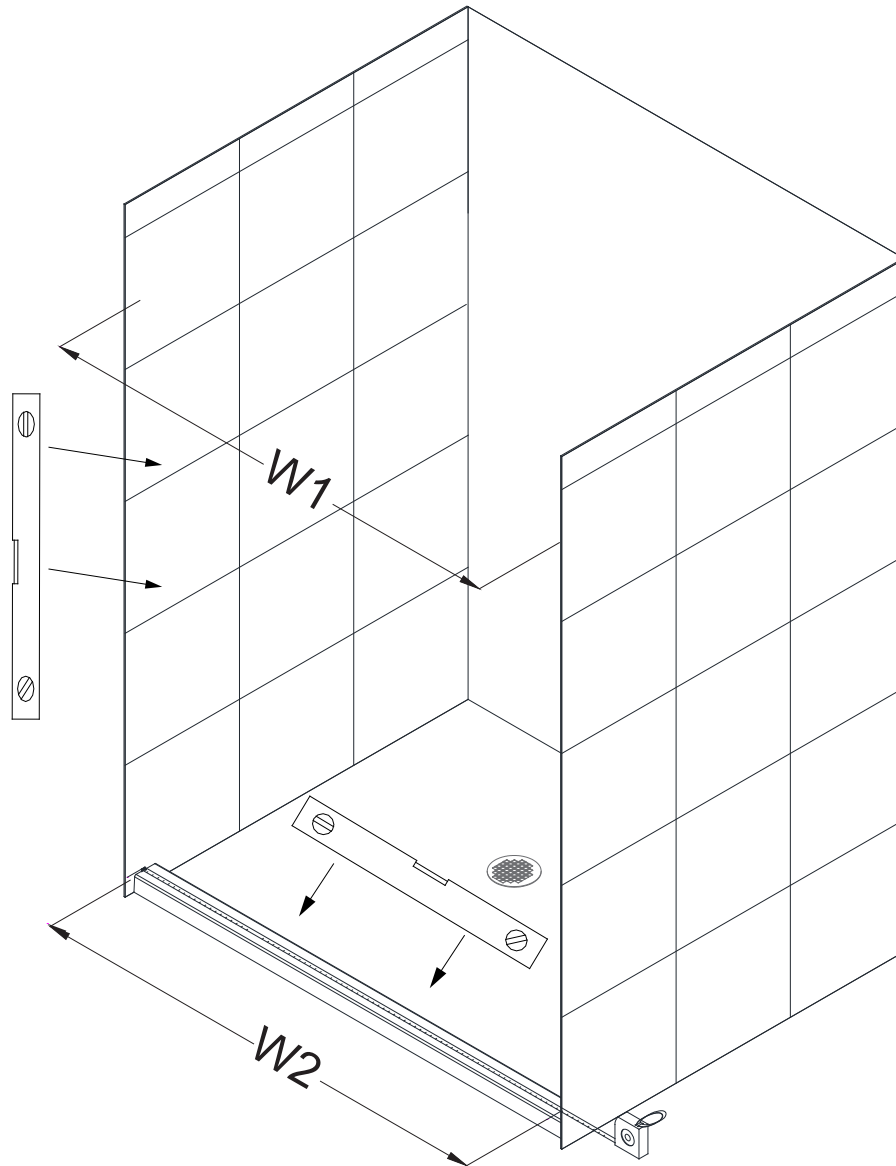


Fig 1

2. Cut the **Upper Guide Rail (#01)** and the **Bottom Rail (#08)** to fit your finished opening using either a miter saw or a hacksaw:

Cut the **Upper Guide Rail (#01)** to:
"**W1**" (top) dimension - **1/4"**

Cut the **Bottom Rail (#08)** to:
"**W2**" (bottom) dimension - **1/16"**

Use a metal file to remove any burrs from the cut ends.

See Fig 2 for details

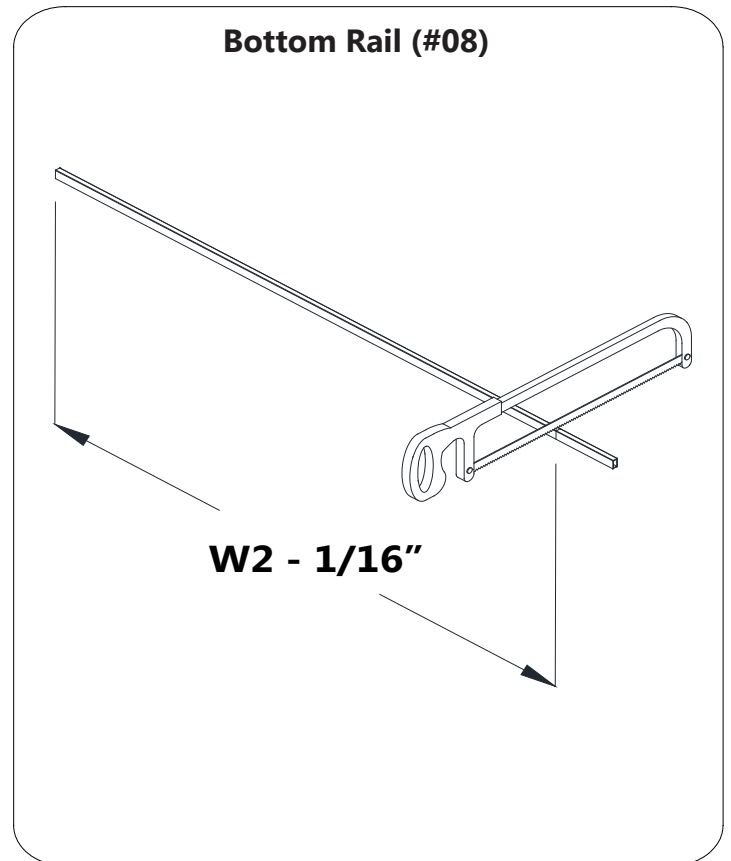
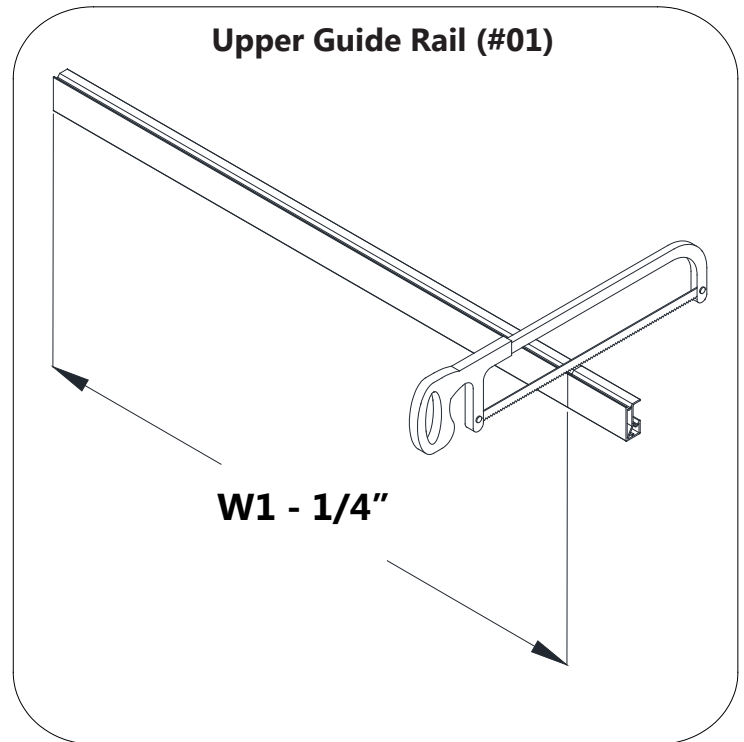


Fig 2

Note:

The Upper Guide Rail, Wall Profiles and Bottom Rail are pre-cut for the model size:

Upper Guide Rail (#01) = 48" or 60"

Wall Profiles (#06) = 60" or 76"

Bottom Rail (#08) = 48" or 60"

Only the **Upper Guide Rail (#01)** and **Bottom Rail (#08)** need to be cut to fit the finished opening size.

3. Set the **Bottom Rail (#08)** onto the threshold and measure in $1/8''$ from the outside of the threshold evenly across the width. Mark the position of the **Bottom Rail (#08)** on the threshold.

See Fig 3 for details

Note: This model requires a minimum $2-3/4''$ of flat threshold space for installation.

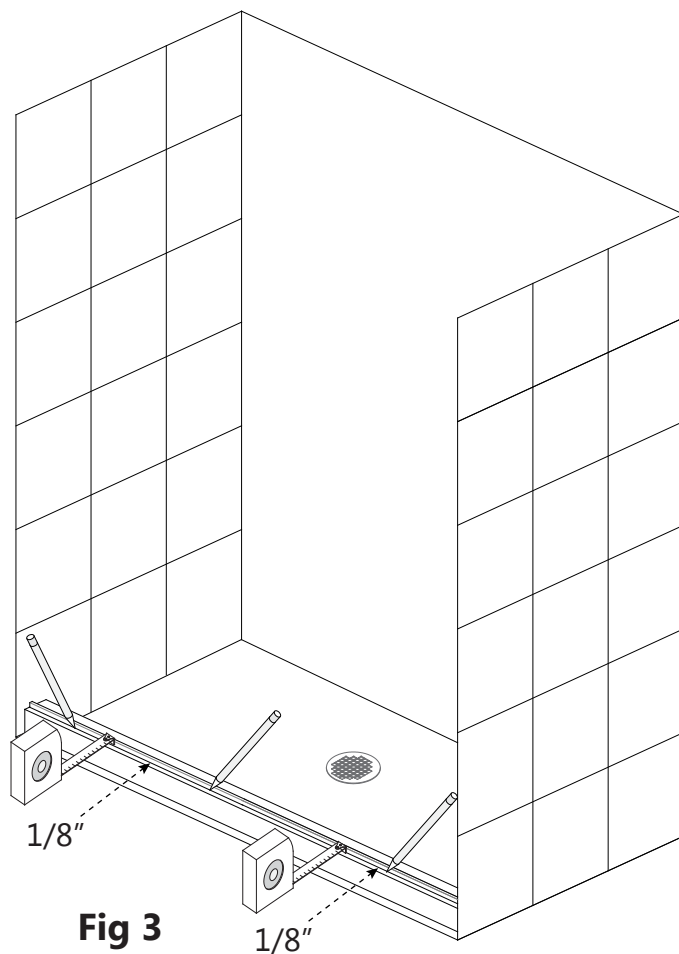
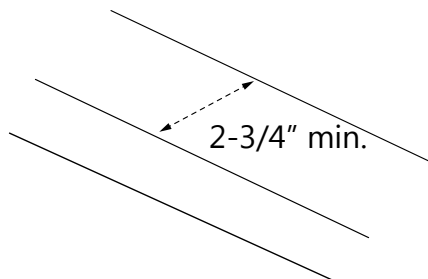


Fig 3

4. Apply silicone into the groove along the bottom of the **Bottom Rail (#08)**.

See Fig 4 for details

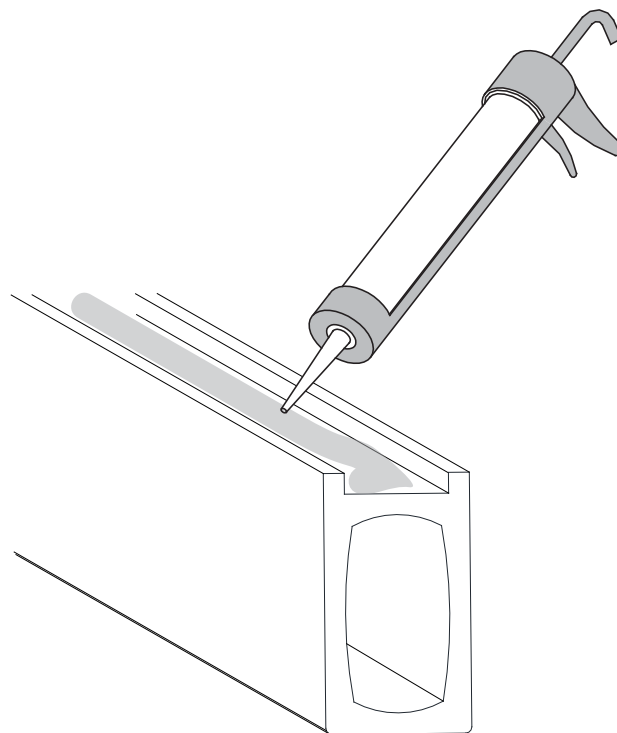


Fig 4

5. Replace the **Bottom Rail (#08)** onto the **marked position** on the threshold.

See Fig 5 for details

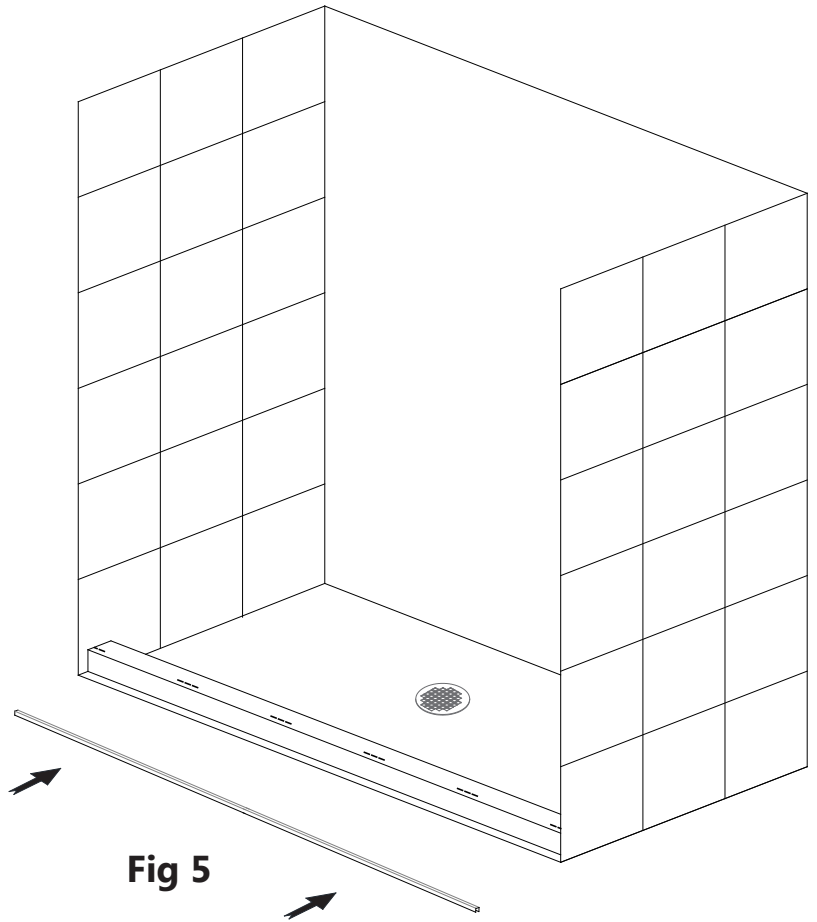


Fig 5

6. Run a bead of Silicone along the inside edge of **Bottom Rail (#08)**.

Fig 6 for details

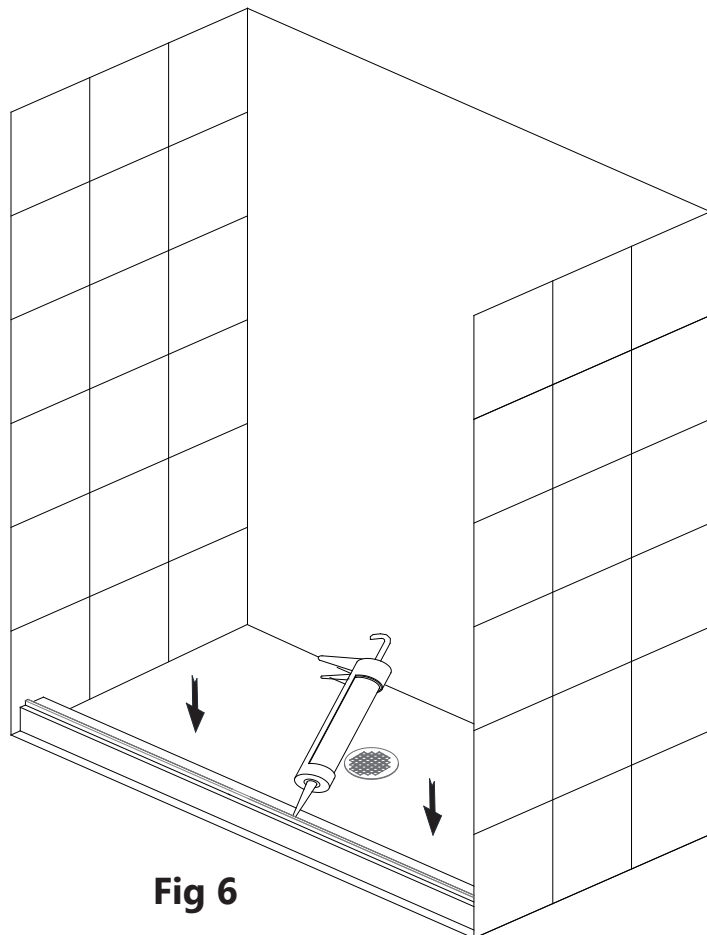


Fig 6



Use several strips of Painter's Tape to hold the bottom rail in position while the silicone cures.

7. Place one of the **Guide Block Brackets (#15)** onto the threshold: **1-1/16" (27mm)** from the outside of the **Bottom Rail (#08)** and **1/8" (3mm)** from the wall. Mark the hole for drilling. (**See Fig 7 detail**)

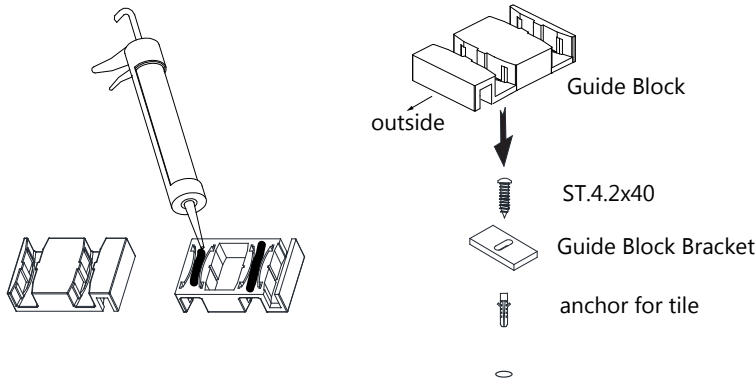
- For installation onto a tile threshold, drill a **Ø5/16" (8mm)** hole and insert the **Wall Anchor (#18)**
- For installation onto an acrylic threshold, drill an **1/8" (3mm)** hole only and do not use the anchor.

Apply silicone to the bottom of the **Guide Block Brackets (#15)** and attach to the threshold using an **ST4.2 x 40 Truss head Screw (#16)**.

Apply silicone to the bottom of the **Guide block (#09)** and install it over the **Guide Block Bracket (#15)** and the **Bottom Rail (#08)**.

Repeat this process for the **Guide Block Bracket (#15)** and **Guide block (#09)** installation on the opposite wall.

See Fig 7 for details



TIP: Use one of the Guide Block Brackets as an **1/8"** spacer to offset the bracket's placement from the wall

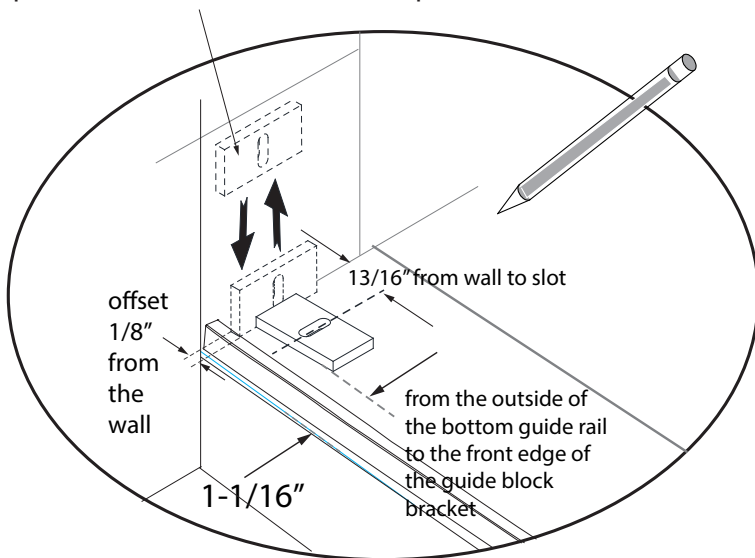


Fig 7 detail

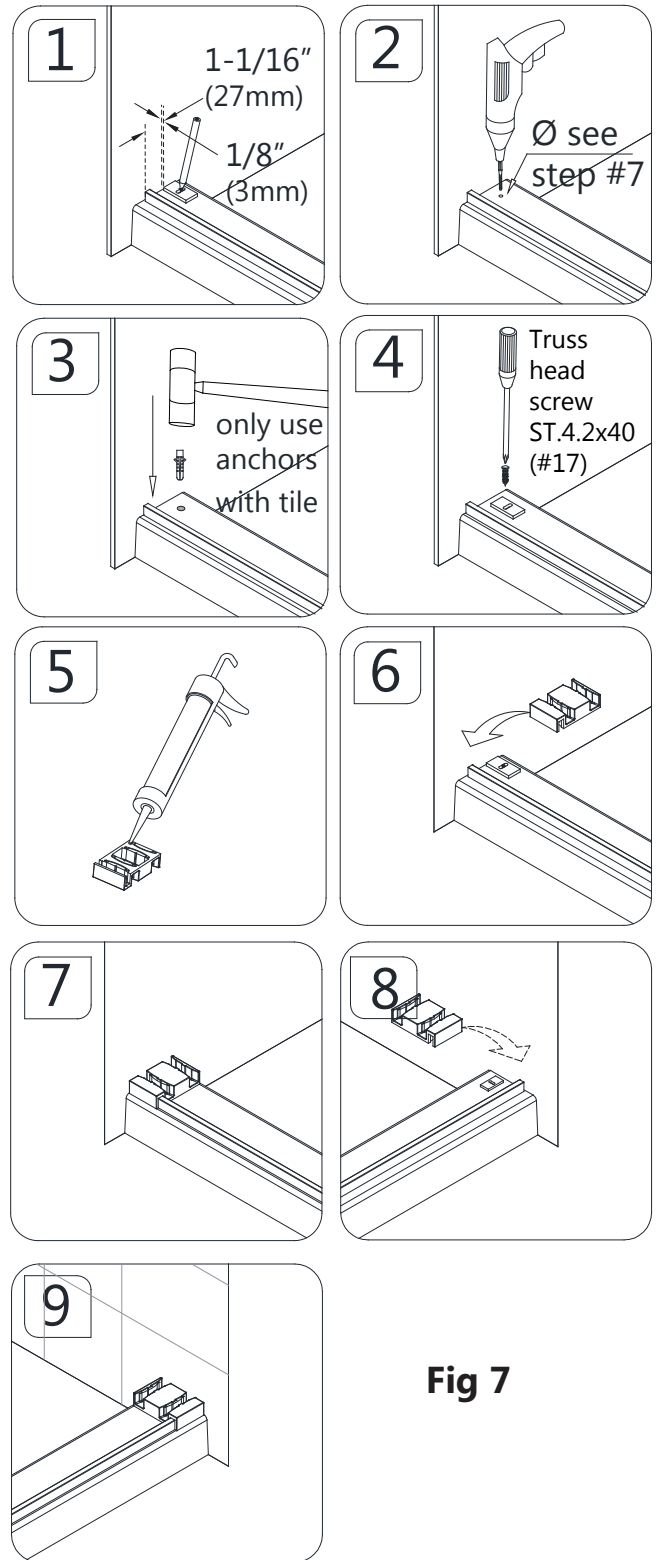


Fig 7

8. Measure across the width of the threshold to locate and mark the center.

See Fig 8 for details

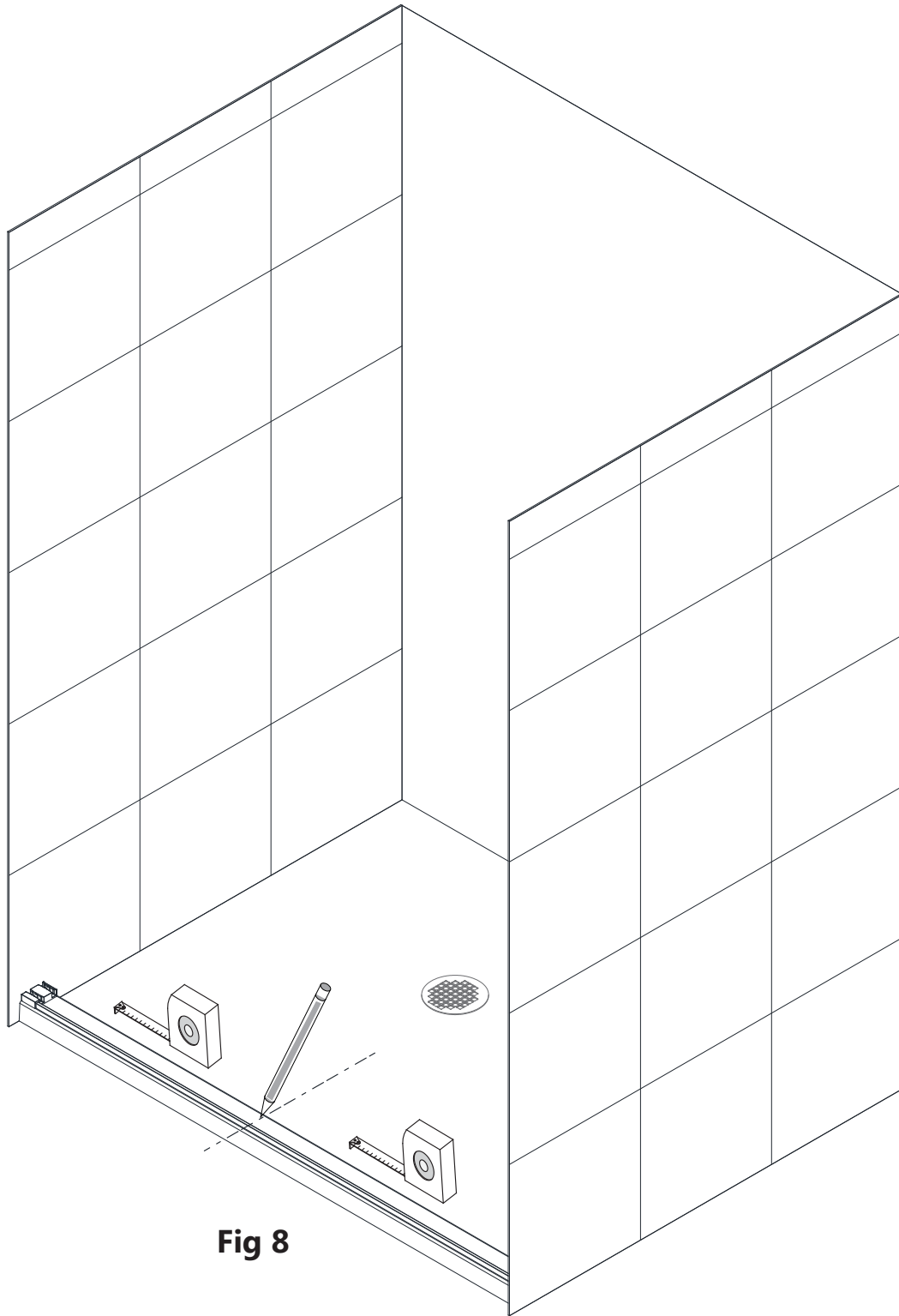


Fig 8

9. Place the remaining **Guide Block Bracket (#15)** onto the threshold:

1-1/16" (27mm) from the outside of the **Bottom Rail (#08)** and align the slot with the centerline measured in the previous step. Mark the hole for drilling.

- For installation into a tile threshold, drill a **Ø5/16" (8mm)** hole and insert the **Wall Anchor (#18)**
- For installation into an acrylic threshold, drill an **1/8" (3mm)** hole and do not use the anchor.

Apply silicone to the bottom of the **Guide Block Bracket (#15)** and attach to the threshold using an **ST4.2 x 40 Truss head Screw (#16)**.

Apply silicone to the bottom of the **Guide block (#09)** and install it over the **Guide Block Bracket (#15)** and the **Bottom Rail (#08)**.

See Fig 9 & 10 for details

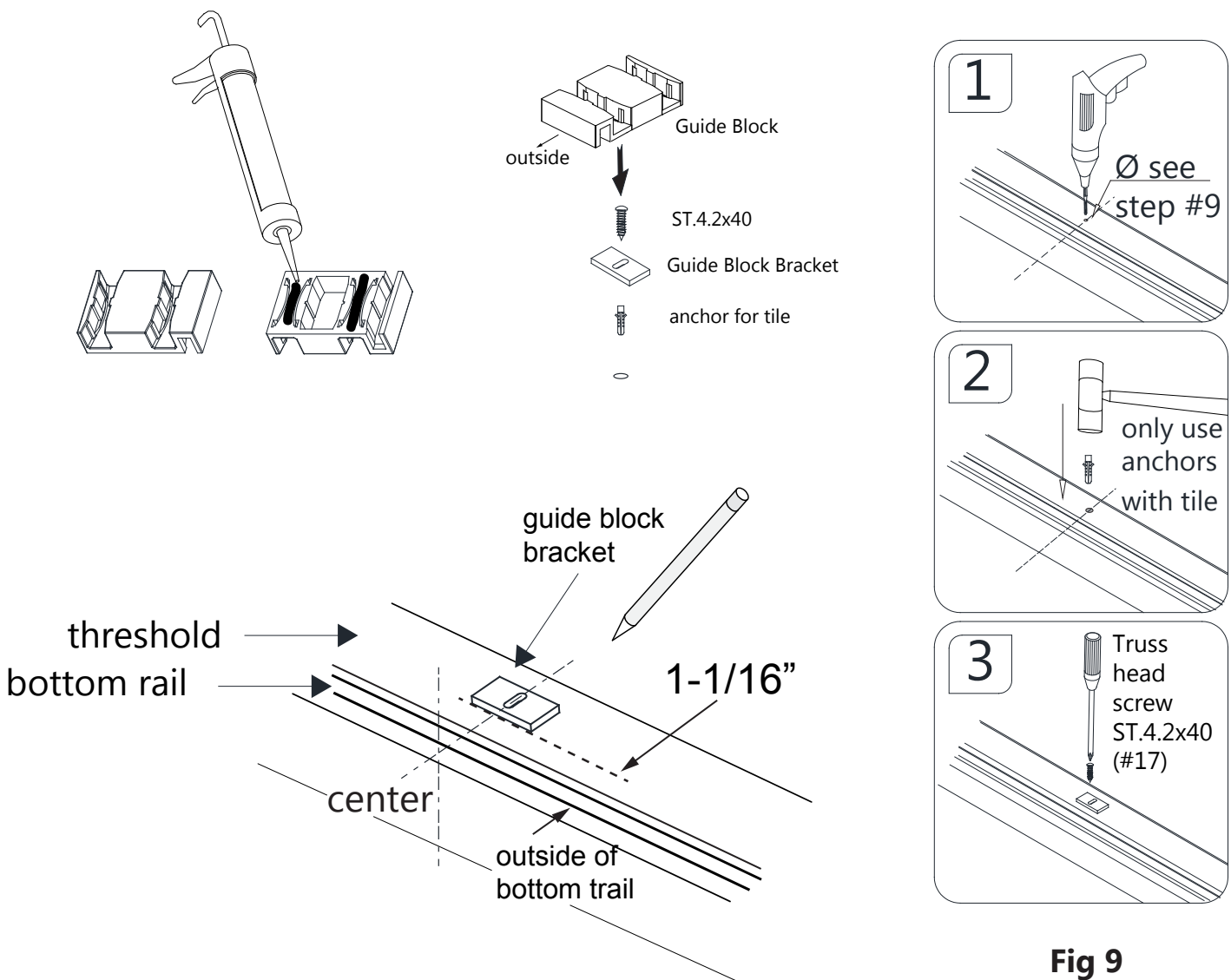


Fig 9

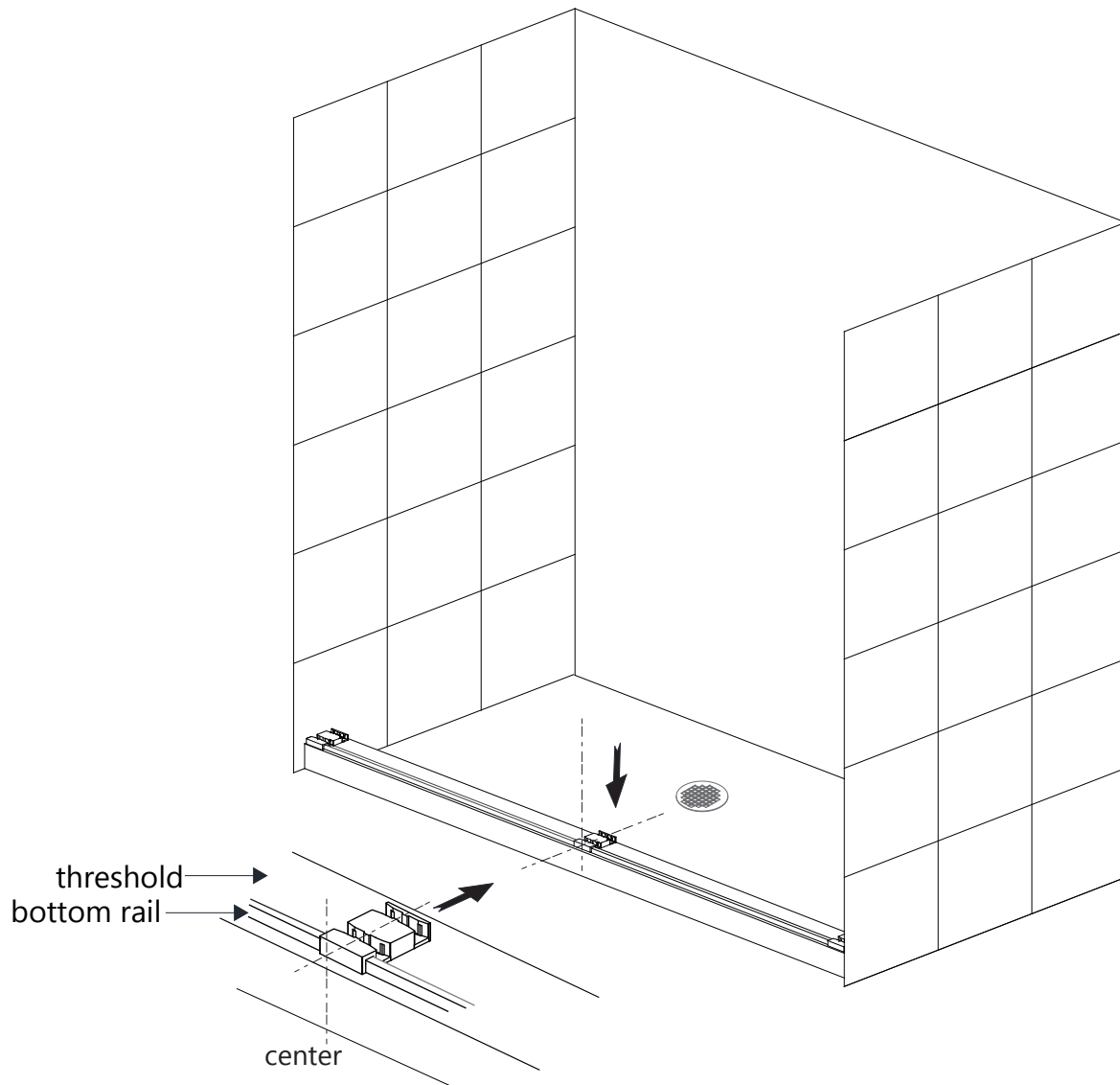


Fig 10

10. Position the **Wall profiles (#06)** on the wall, flush with the outside edge of the **Guide Blocks (#09)**. Check for plumb with a level and mark the position of the **Wall profiles (#06)** on the walls.

See Fig 11 for details

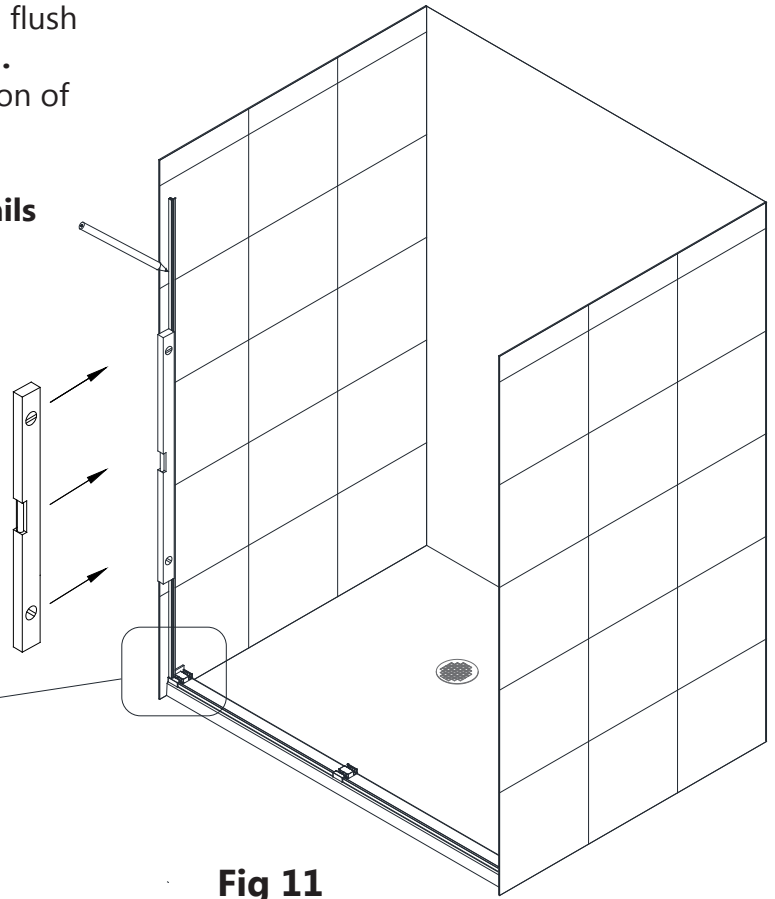
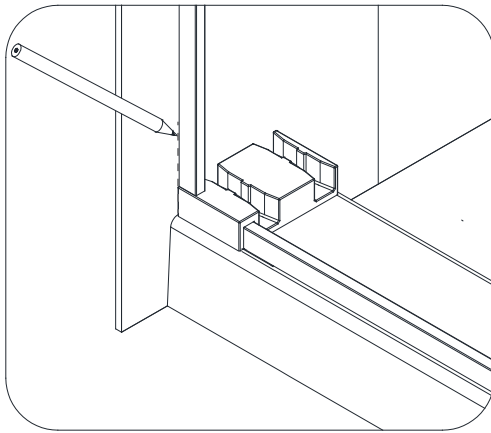


Fig 11

11. Remove the paper backing from the **Anti-water side strips (#07)**. Attach the **Anti-water side strips (#07)** to the **Wall profiles (#06)** as shown in Fig 12.1. Apply silicone along the entire length of the **Wall profiles (#06)**. (Fig 12.2)

Position the **Wall profiles (#06)** on the wall, flush with the marks made in the previous step.

It is important that the wall profiles are plumb and inline with the bottom guide block (Fig 12.4).

See Fig 12 for details



Use several strips of Painter's Tape to hold the Wall profiles in position while the silicone cures.

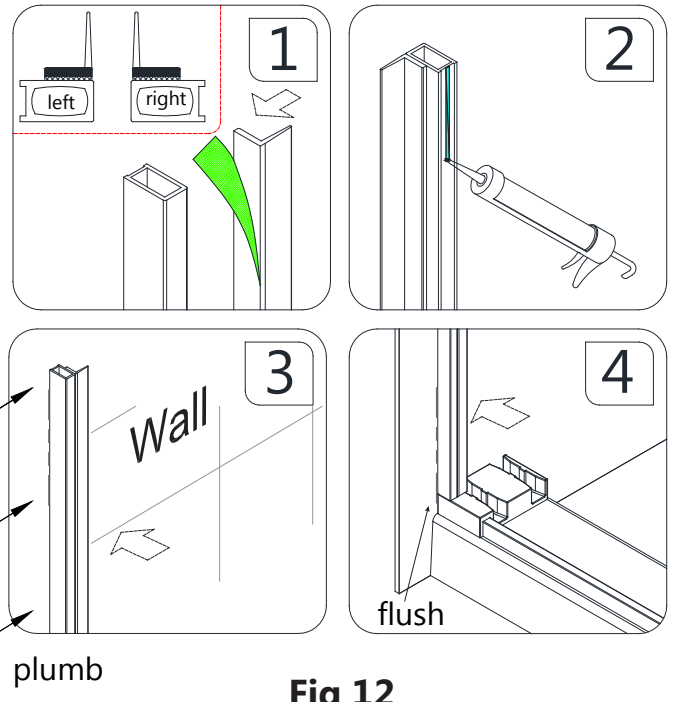


Fig 12

12. To position the Wall Bracket Assemblies (#02):

Measure up from the threshold to the bottom corner of the **Wall Bracket Assembly (#02)**: 71-1/8" for shower height model or 55-3/16" for tub height model. (See Table 1)

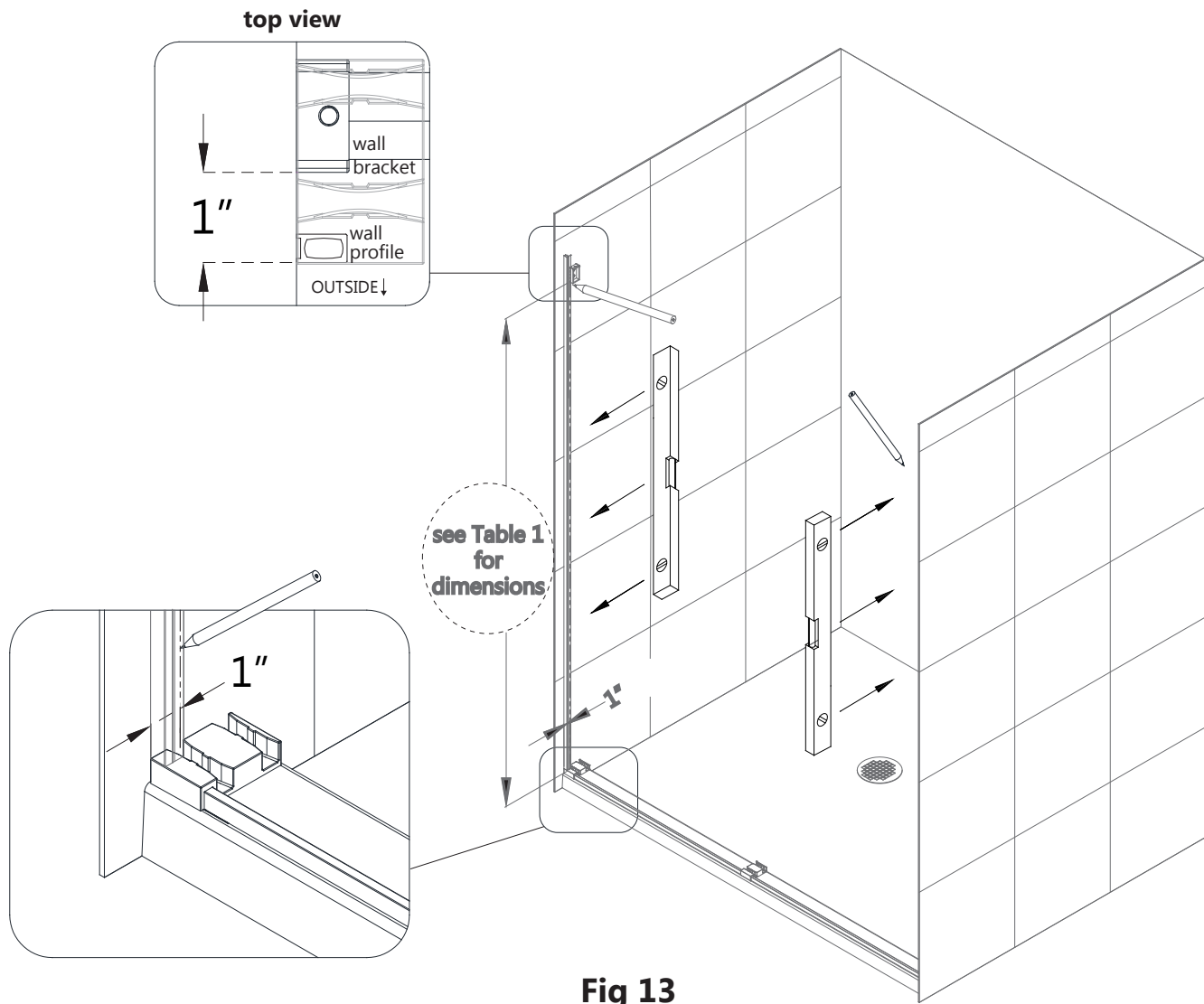
Measure in **1"** from the outside of the **Wall Profile (#06)** and draw a plumb line.

Repeat this process, marking a plumb line on the opposite wall, **1"** in from the outside of the wall profile.

See Fig 13 & 14 for details

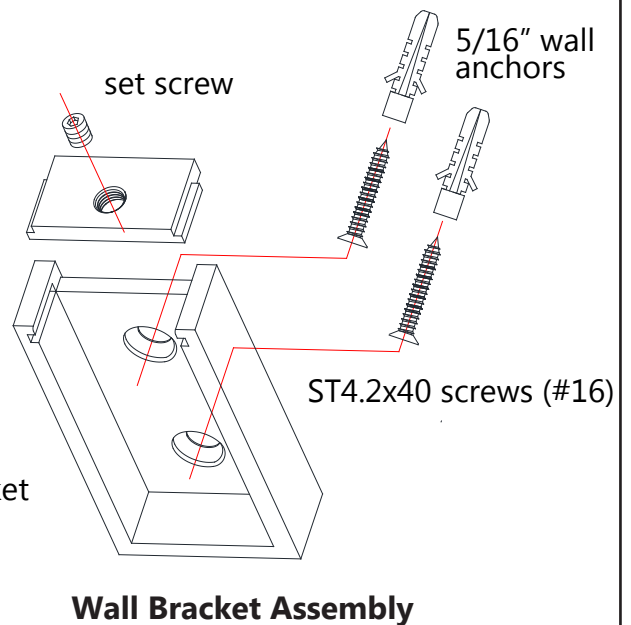
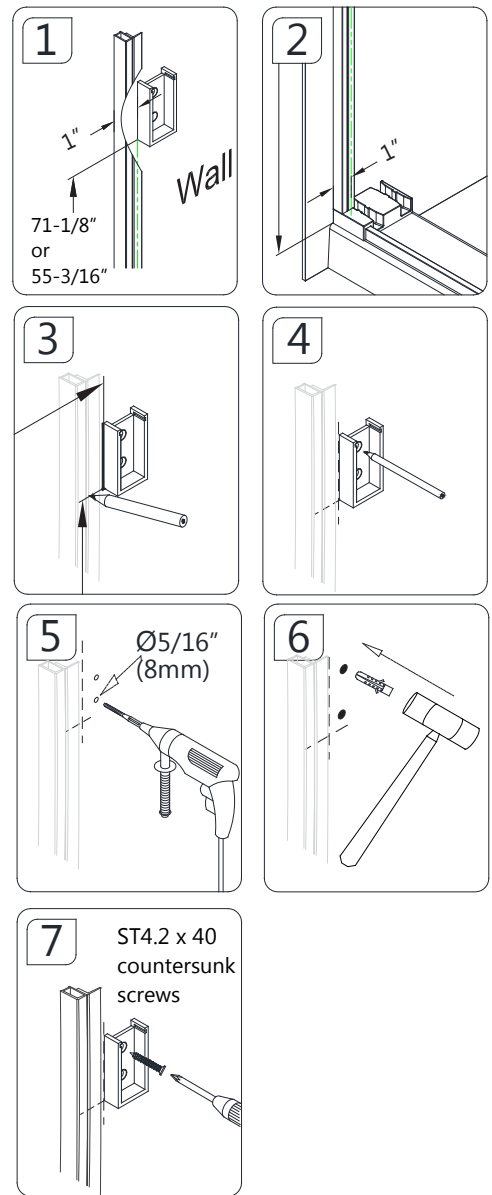
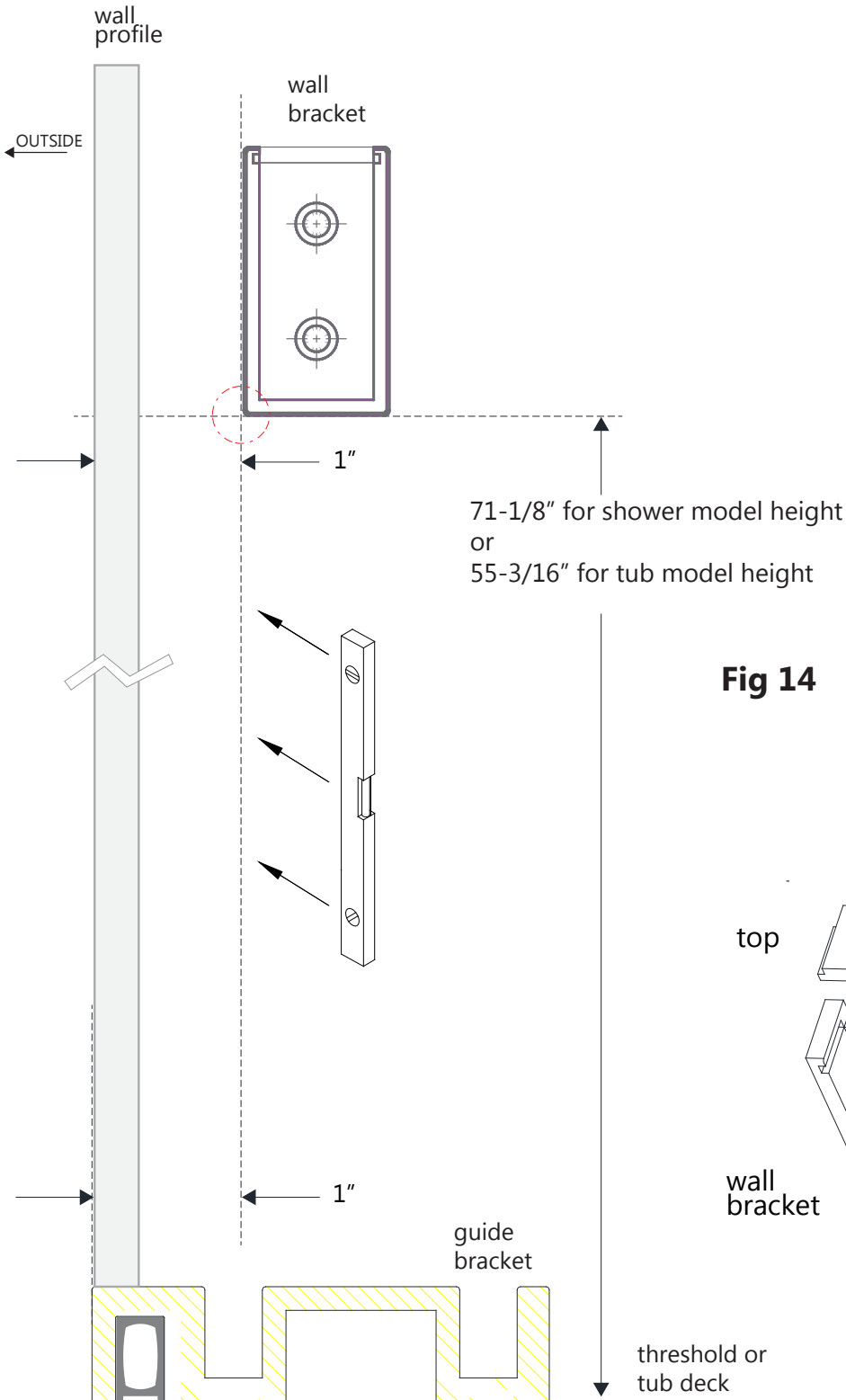
Table 1

Model height	Wall Bracket height
76" (1930mm)	71 1/8" (1807mm)
60" (1524mm)	55 3/16" (1401mm)



13. Hold the **Wall Bracket Assembly (#02)** in the designated position and mark the holes for drilling. Drill the holes using a **Ø5/16"** drill bit and insert the wall anchors. Attach the wall bracket assemblies using the **ST4.2 x 40 countersunk screws (#16)**.

See Fig 14 for details



14. Insert the **Upper Guide Rail (#01)** into the installed **Wall Bracket Assembly (#02)**.

Temporarily attach the remaining **Wall Bracket Assembly (#02)** to the opposite end of the **Upper Guide rail (#01)**. Place a level on top of the **Upper Guide rail (#01)**. Align the **Wall Bracket Assembly (#02)** with the opposite plumb line from step#12 and mark the bracket's position on the wall.

Remove the **Upper Guide Rail (#01)** and position the wall bracket onto the wall and mark the holes for drilling. Drill the holes using a **Ø5/16"** drill bit and insert the **Wall anchors (#18)**. Attach the **Wall bracket** to the wall using the **ST4.2 x 40 Countersunk screws**. Slide the **Upper Guide Rail (#01)** into both **Wall brackets**, install both of the **Wall bracket assembly tops** and secure with the **set screws**.

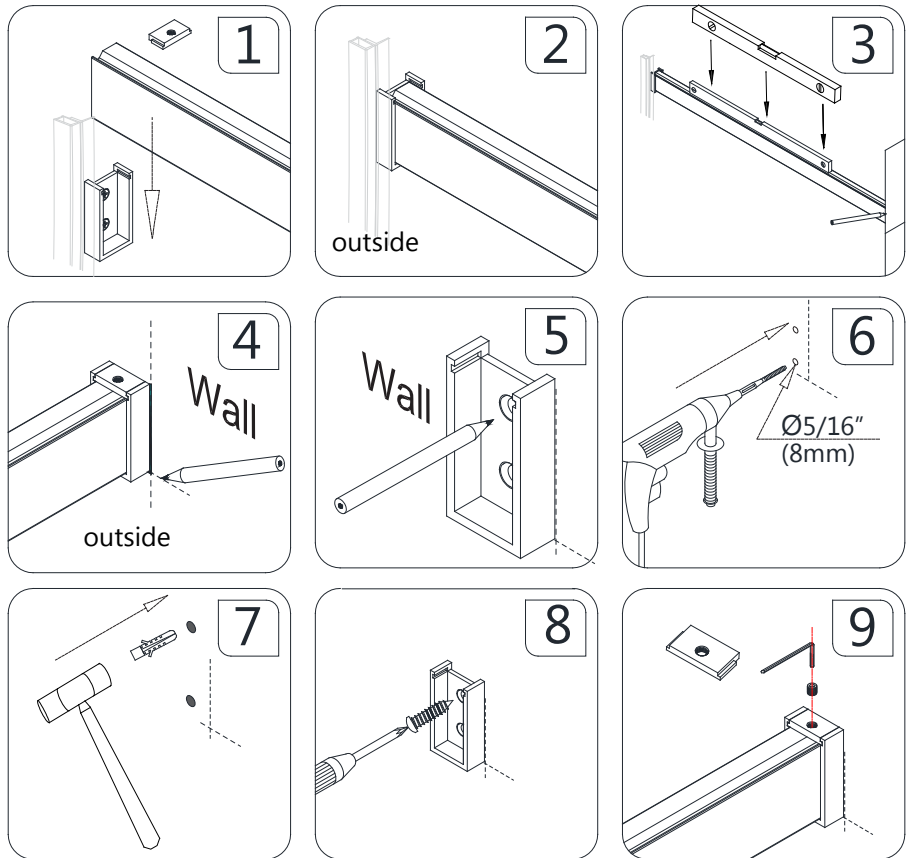
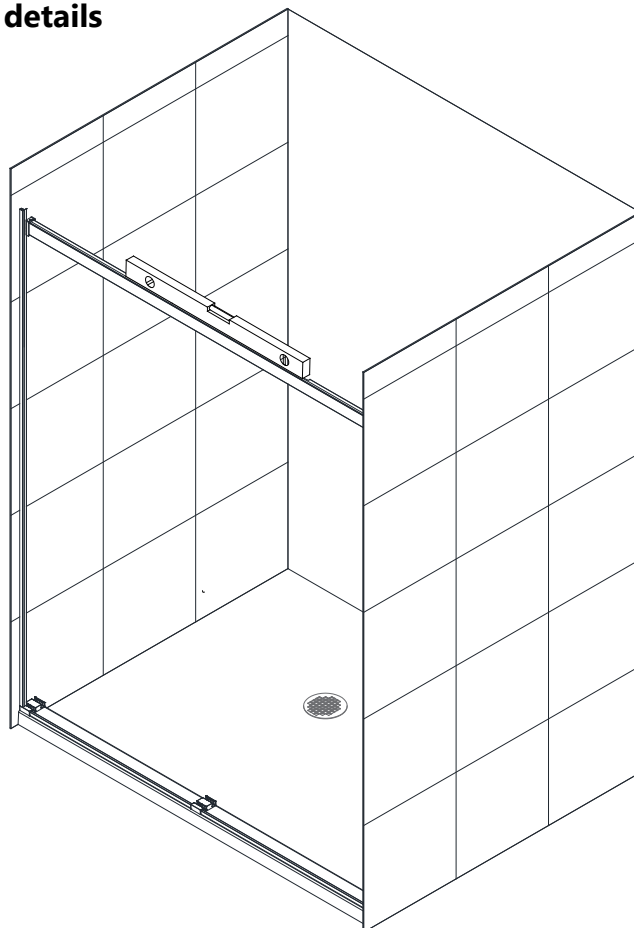


Fig 15

See Fig 15 for details



15. Remove the paper backing and attach the **Top Bumpers (#10)** to the wall on either side of both of the **Wall Bracket Assemblies (#02)**, flush with the top of the wall brackets (Fig 15.1). Remove the paper backing and attach the **Bottom Bumpers (#11)** into the **Guide blocks (#09)** and to the wall (Fig 16.2).

See Fig 16 for details

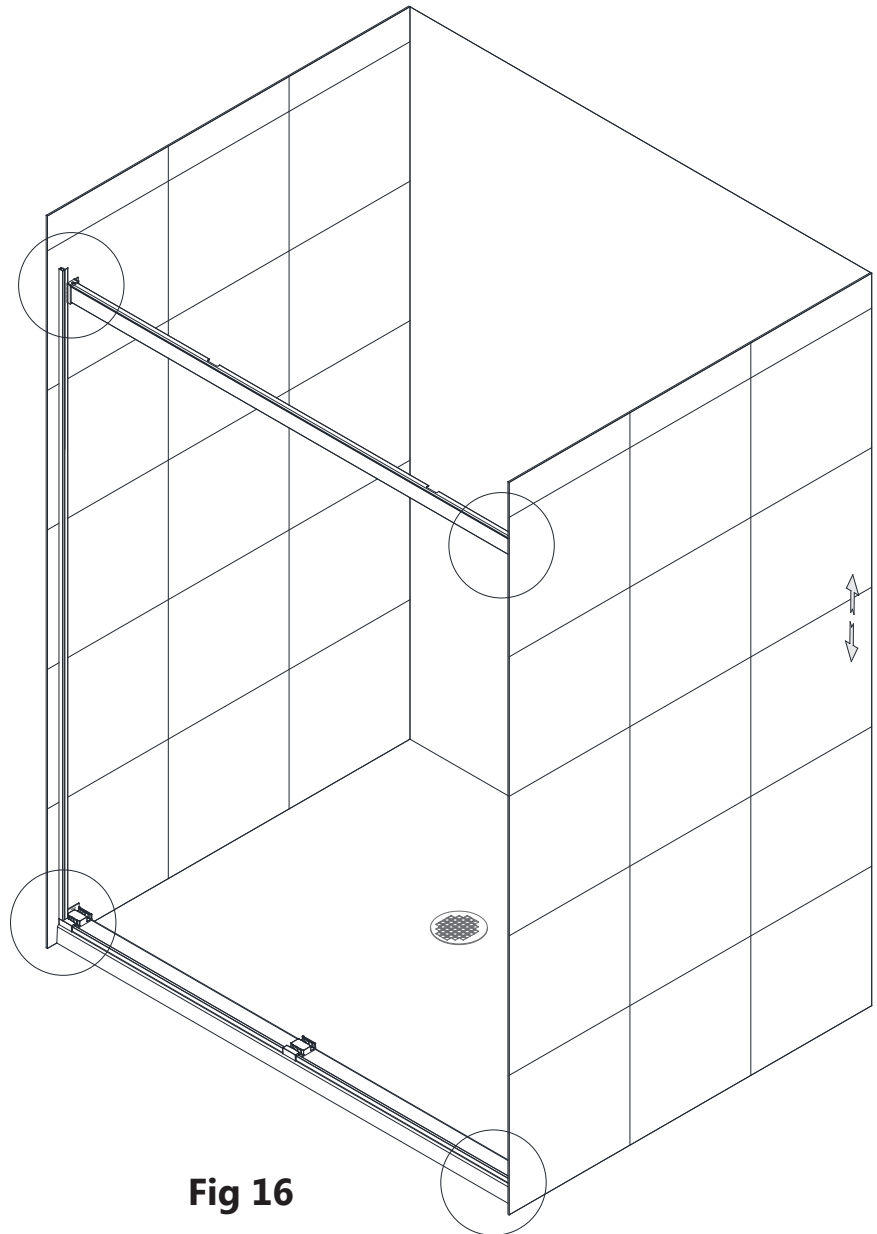
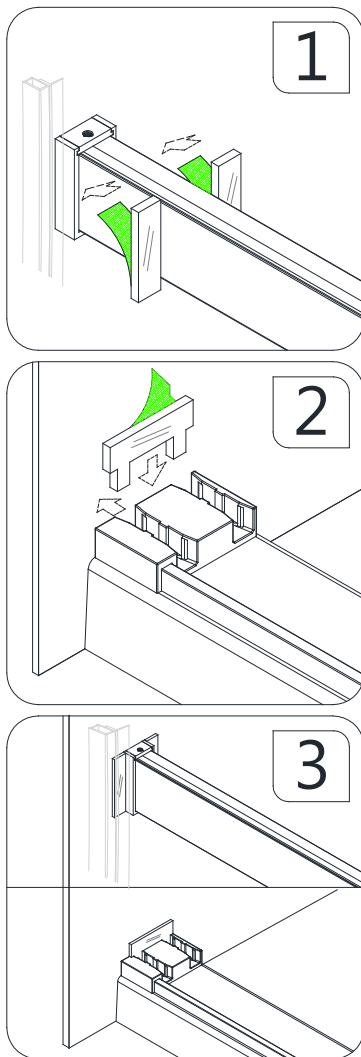


Fig 16

16. Remove the cap and screw from the **Rollers (#04)** and attach the **Rollers (#04)** to the **Inside door panel (#12)** and to the **Outside door panel (#13)**.

See Fig 17 & 17 for details



NOTE: DO NOT install the towel bars on the glass until instructed to do so. **DO NOT** lift the glass using the towel bars. This could result in damage to the glass and/or serious personal injury. Always use an assistant or a professional grade glass suction cup when handling heavy glass.

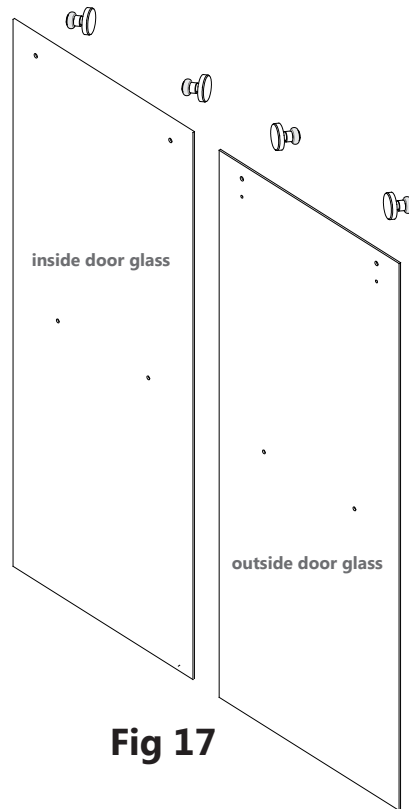


Fig 17

17. From inside the shower, hang the **Inside Door panel (#12)** first. Insert one wheel into the notch in the top of the **Upper Guide Rail (#01)**. Slide the door over and insert the other roller wheel into the second notch (Fig 18.2) while inserting the Glass into the **Guide block(#09)**. (Fig 18.3)

Next, from outside the shower, install the **Outside door panel (#13)** into the track on top of the **Upper Guide Rail (#01)** and into the **Guide block (#09)**.

Attach the **Roller Guards (#03)** to the **Outside door panel (#13)** (Fig 18.6) to prevent the door glass from being lifted off of the **Upper Guide Rail (#01)**.

See Fig 18 & 19 for details

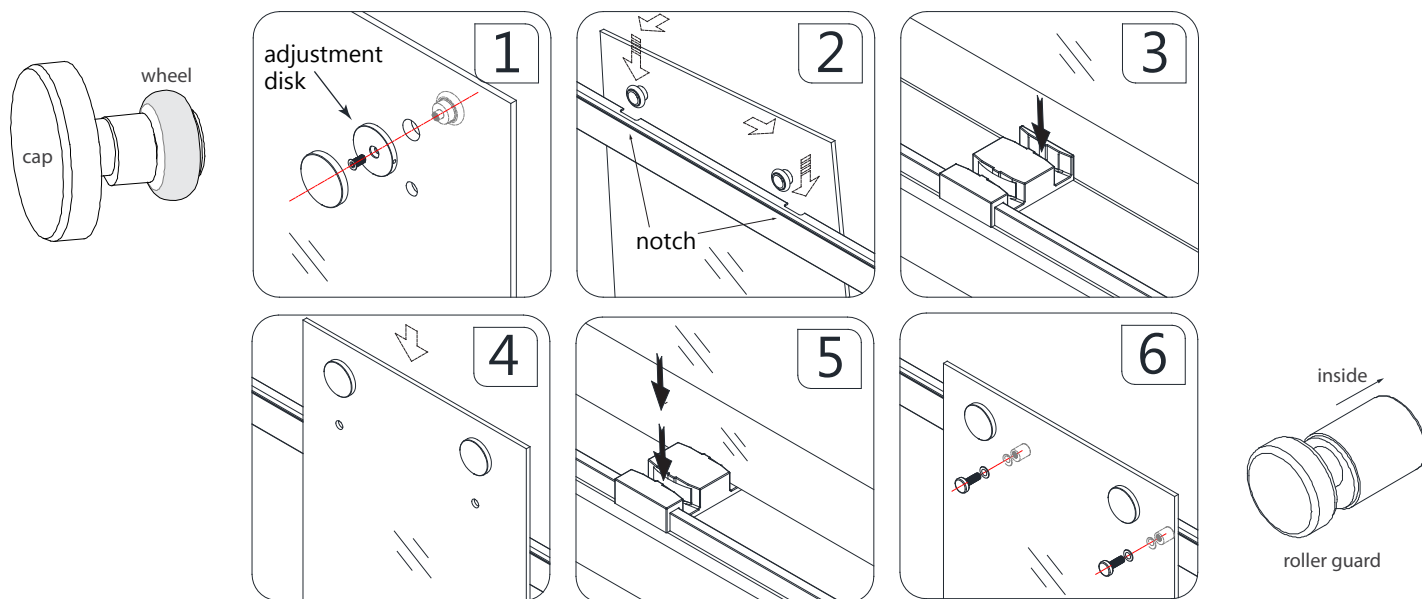


Fig 18

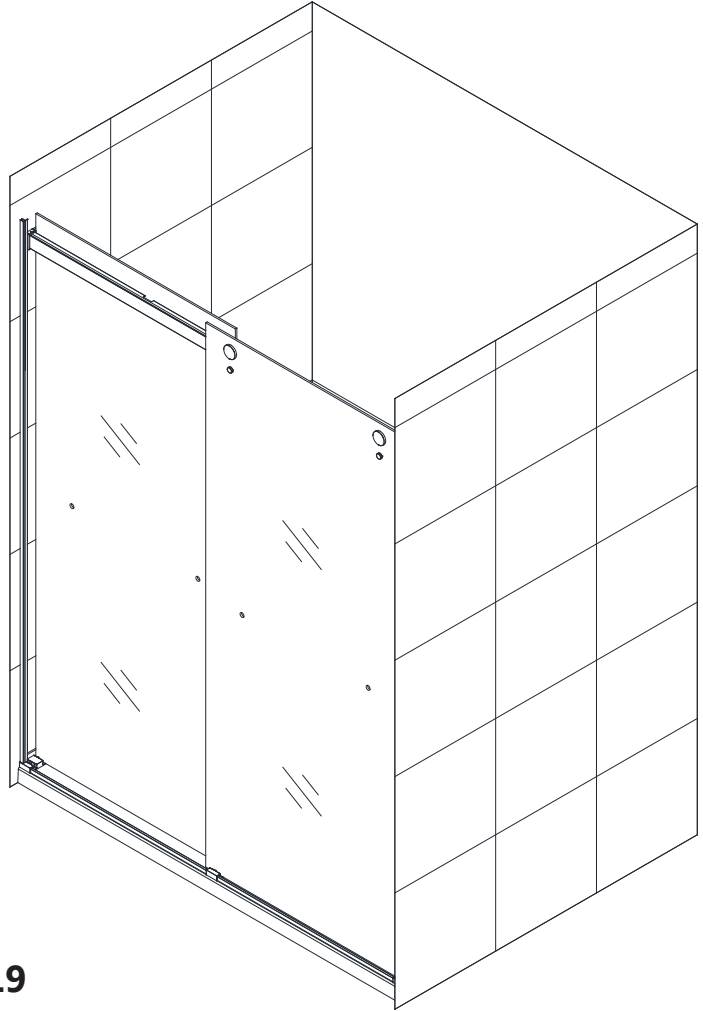
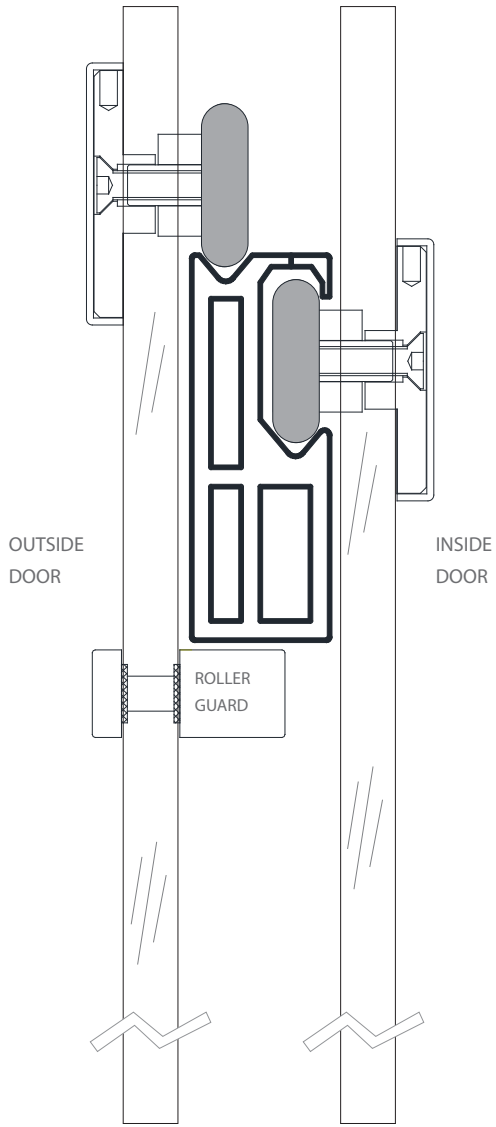


Fig 19

TIP: The wheel assembly bushing that fits through the hole in the glass is elliptical. By rotating this disk, the door glass can be adjusted slightly in order to make even contact with both the top and bottom wall bumpers.

- Use a shim beneath the door glass so that it does not make contact with the threshold during adjustments
- Temporarily adjust the roller guards for clearance
- Remove the cap from the wheel assembly and loosen the bolt
- Insert the small 2.5mm allen wrench or similar into the small hole in the edge of the adjustment disk to help rotate the disk (see Figure 20.1) and tilt the door glass into the desired position
- Hold the glass in position and re-tighten the bolt
- Test the operation of the door. Repeat on the other wheels as necessary
- Replace the Wheel assembly cap and re-adjust the roller guards

See Fig 20 for details

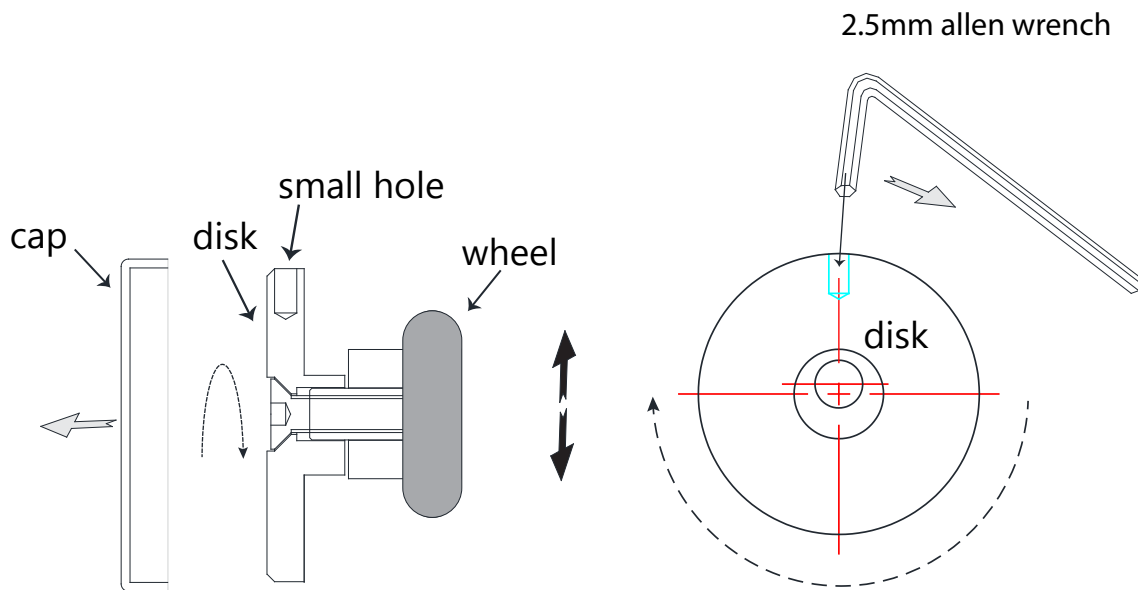


Fig 20

18. Attach the **Towel Bars (#05)** to the **Inside door panel (#12)** and to the **Outside door panel (#13)**. Be sure to use all of the supplied rubber gaskets to protect the glass.

See Fig 21 for details

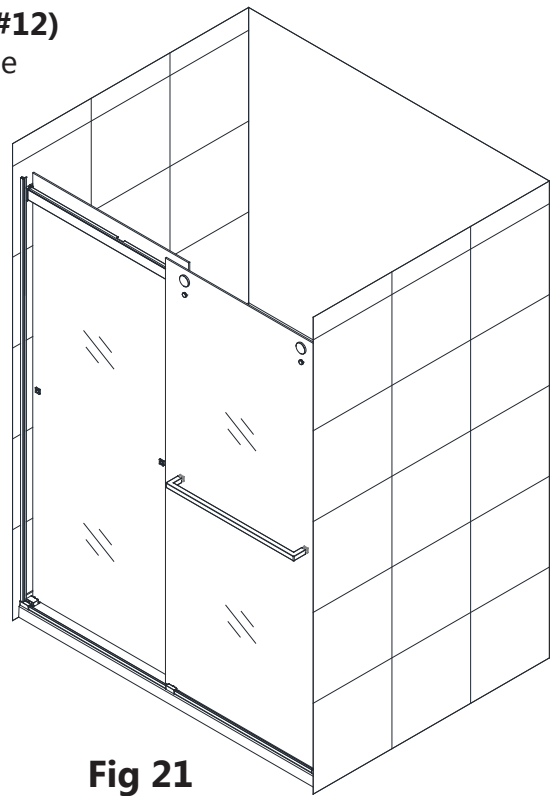
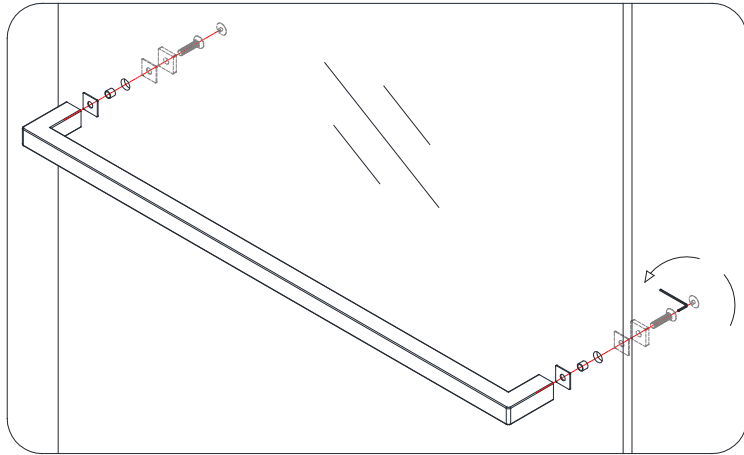
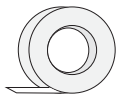


Fig 21

19. Apply a good quality mildew-resistant silicone on the walls and threshold along the bottom profile and wall profiles.

Allow 24 hours for the silicone to fully cure before using the shower.

See Fig 22 for details



Use Painter's Tape to hold the Wall profiles and Bottom rail tight in position while the silicone cures.

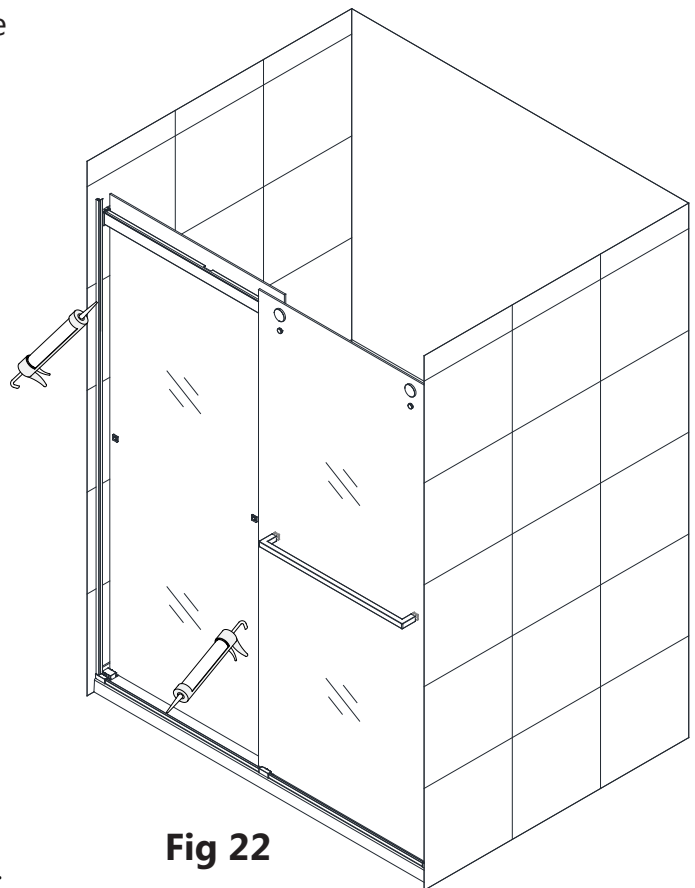


Fig 22

Product Maintenance

BASES and BACKWALLS: To ensure a long life for your acrylic back walls: wipe them off after each use with a soft cloth. To clean the acrylic back walls use non-abrasive sprays or cream based cleaners. Never use abrasive cleansers, metal brushes or scrapers that could scratch or dull the surface.

GLASS: To ensure long lasting life for your glass shower products: wipe them off after each use with a soft cloth. Rinse and wipe off the glass using either a soft cloth or a squeegee to prevent soap buildup and water spots (Hard water can etch the surface of the glass over time if left to dry). To prevent scratching the surface: never use abrasive cleaners and cleaning products that contain scouring agents. Never use bristle brushes or abrasive sponges.

HARDWARE: To ensure a long lasting finish: wipe off the metal parts after each use with a soft cloth. Do not use abrasive cleaners or cleaning products containing ammonia, bleach or acid. If accidentally used, rinse the surface as soon as possible to prevent finish peeling or corrosion. After cleaning the shiny finishes, rinse thoroughly and wipe dry with soft cloth. Clean stainless steel surfaces at least once a week. When applying stainless steel cleaner or polish, work with (not across) the grain. Never use abrasive sponge or cloth, steel wool or wired brushes as these may permanently scratch the surface.



TEL: 866-731-2244
FAX: 866-857-3638
DREAMLINE.COM

For more information on DreamLine® Shower Doors and Enclosures please visit DreamLine.com