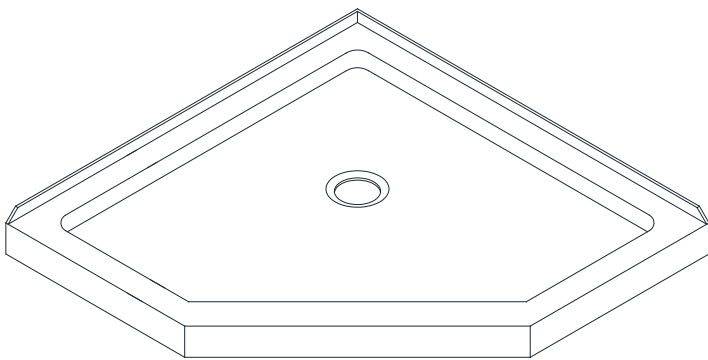


Prism Lux Shower Enclosure & Base

SHOWER ENCLOSURE & BASE INSTALLATION INSTRUCTIONS

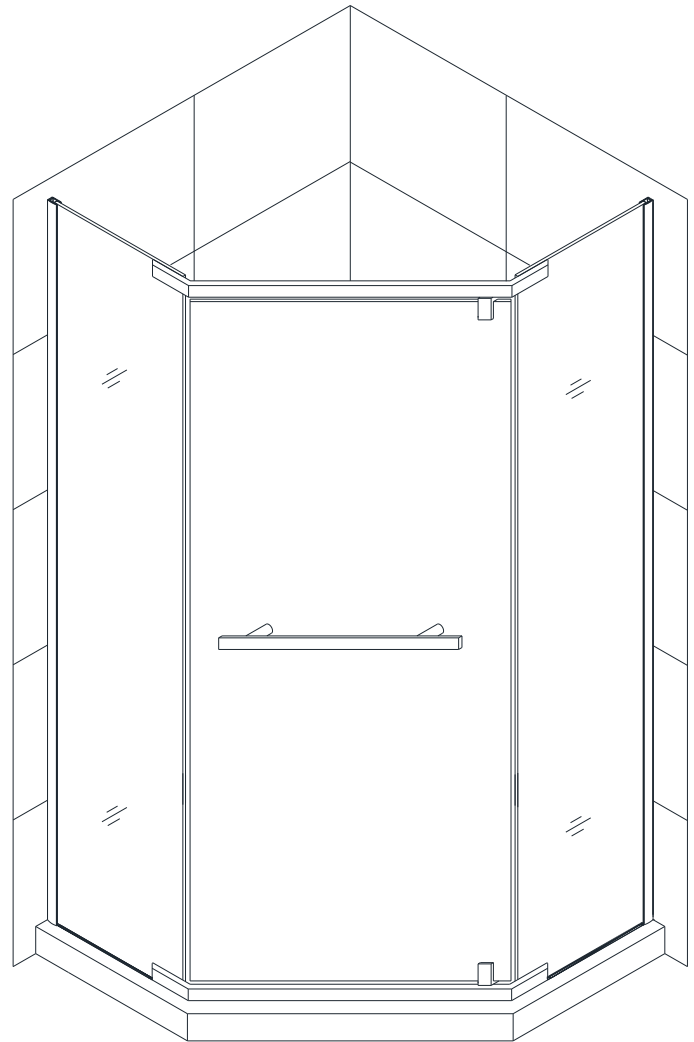
IMPORTANT

DreamLine[®] reserves the right to alter, modify or redesign products at any time without prior notice. For the latest up-to-date technical drawings, manuals, warranty information or additional details please refer to your model's web page on **DreamLine.com**



STEP 1: Shower Base Installation Instructions

STEP 2: Shower Enclosure Installation Instructions



Questions?

Please Call **DreamLine** Customer Support: **1-855-831-2126**
Hours of Operation M-F 8AM - 7PM EST and Saturday 9AM - 5PM EST

Support@DreamLine.com



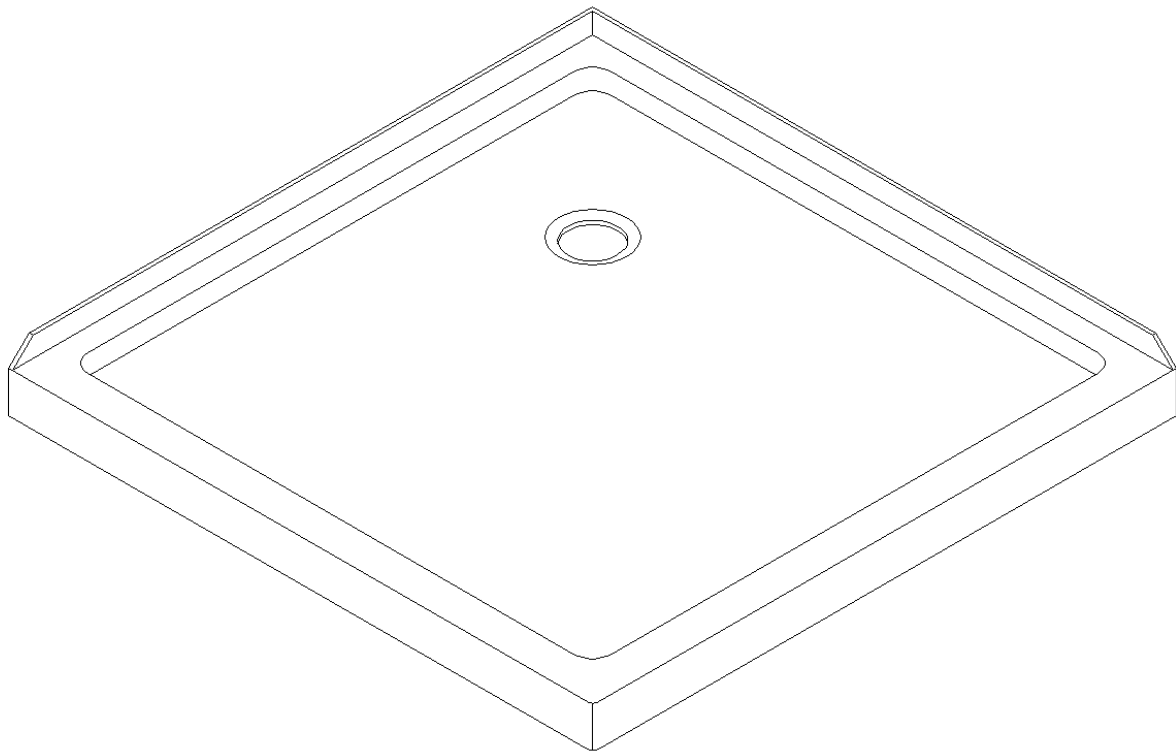
For more information about DreamLine[®] Shower Doors, Tub Doors & Enclosures, please visit **DreamLine.com**

SLIMLINE SHOWER BASE

SHOWER BASE DIMENSIONS AND INSTALLATION INSTRUCTIONS

IMPORTANT

DreamLine[®] reserves the right to alter, modify or redesign products at any time without prior notice. For the latest up-to-date technical drawings, manuals, warranty information or additional details please refer to your model's web page on **DreamLine.com**



Color options:

- - White
- 22- Biscuit
- 88- Black



Questions?

Please Call *DreamLine* Customer Support: **1-855-831-2126**
Hours of Operation M-F 8AM - 7PM EST and Saturday 9AM - 5PM EST

Support@DreamLine.com



For more information about DreamLine[®] products please visit DreamLine.com

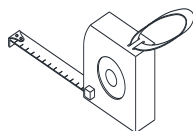
Preparation

1. Prior to installation, examine all boxes and packages for shipping damage and compare the piece count with your packing slip. After opening all boxes and packages read this introduction carefully. Check that all of the needed parts are included in the package by checking off the components on the "Detailed Diagram of Shower Door Components". If the unit has been damaged, has a finishing defect, or has missing parts, please contact our customer support department within **3 business days** of the delivery date. Please note that **DreamLine® will not replace any damaged products or missing parts free of charge after 3 business days or if the product has been installed.** Please contact DreamLine® if you have any questions and please provide an order number, job name or other proof of purchase to help identify the original order.
2. Install all of the required plumbing and drainage before installing the shower base. **Use a competent and licensed (if required by local code) plumber for all plumbing installation.**
3. **Shower bases must be installed by a licensed plumber. Please note that you should consult your local building codes with questions on installation compliance standards. Building and plumbing codes may vary by location and DreamLine® is not responsible for code compliance standards for your project.**
4. Please insure that prior to the installation the installation surface is leveled and solid and will be able to support the total weight of the unit. Also make sure the walls are at right angles. While some adjustment in leveling of the tray is possible, irregular installation surface level or improper angle of side walls will result in serious problems for your installation. Please note that some adjustments may be necessary during the installation process.
5. **Center drain configurations are centered on the width only. See technical drawing tables for drain locations.**
6. **Drain not included with this product.** The drain opening is 3-3/8" diameter and accepts a standard 2" compression fitted drain.

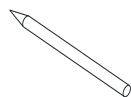
IMPORTANT NOTE:

Dimensions provided are for reference only. Measure the actual shower tray before installation. This includes overall dimensions and drain location. Allowed tolerance for center of the drain is +/-1/2".

Tools Required



Tape
Measure



Pencil



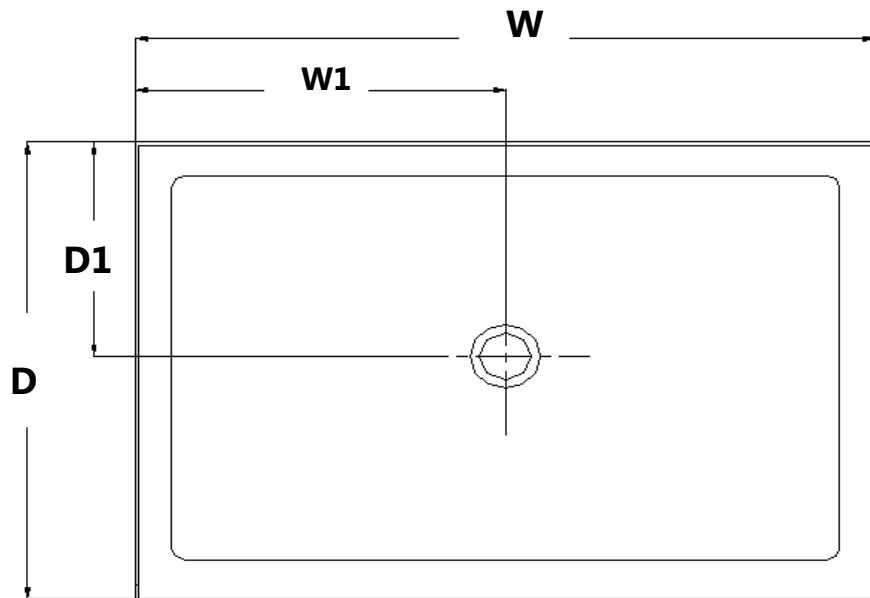
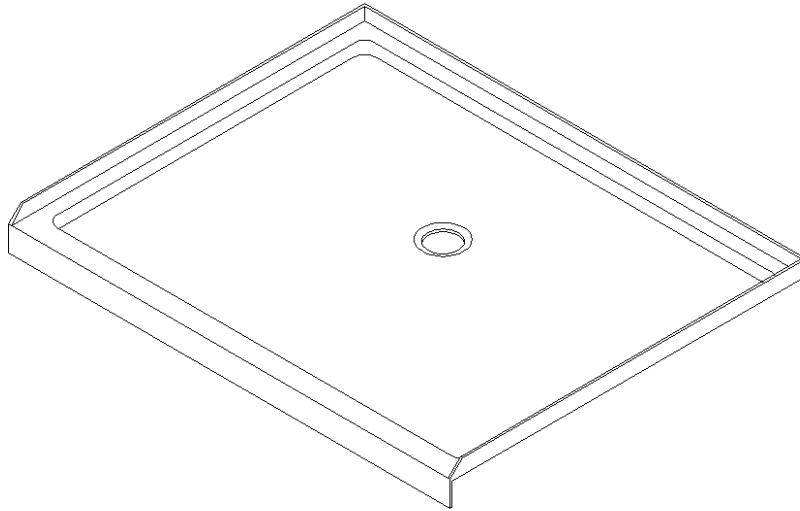
Level



Mortar

SINGLE THRESHOLD SHOWER BASE

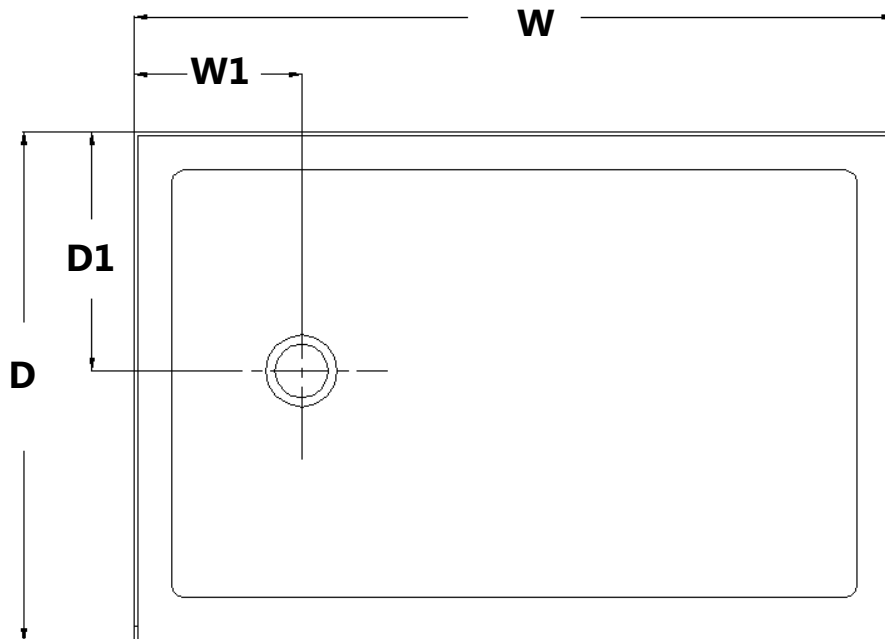
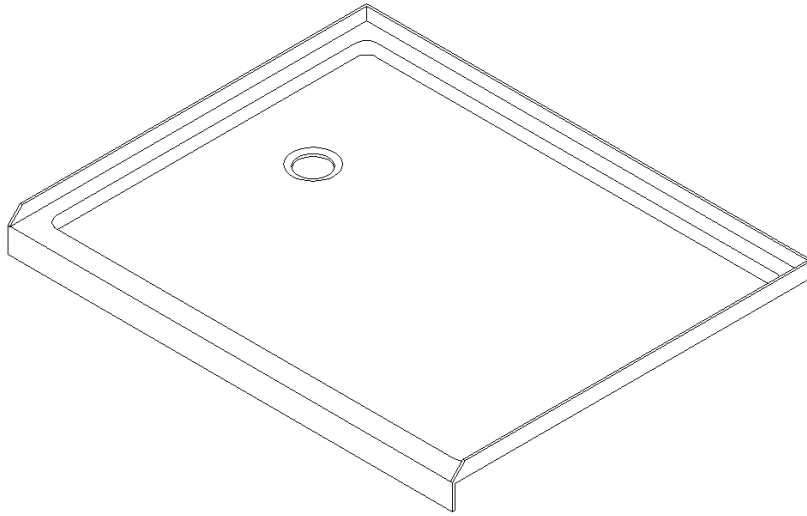
Center Drain Configuration



MODEL	SPECIFICATION	D (in)	W (in)	D1 (in)	W1 (in)
DLT-1132320	32" x 32"	32"	32"	15"	16"
DLT-1136360	36" x 36"	36"	36"	15"	18"
DLT-1132420	32" x 42"	32"	42"	15"	21"
DLT-1134420	34" x 42"	34"	42"	15"	21"
DLT-1136420	36" x 42"	36"	42"	15"	21"
DLT-1142420	42" x 42"	42"	42"	20"	21"
DLT-1132480	32" x 48"	32"	48"	15"	24"
DLT-1134480	34" x 48"	34"	48"	15"	24"
DLT-1136480	36" x 48"	36"	48"	15"	24"
DLT-1132540	32" x 54"	32"	54"	15"	27"
DLT-1130600	30" x 60"	30"	60"	15"	30"
DLT-1132600	32" x 60"	32"	60"	15"	30"
DLT-1134600	34" x 60"	34"	60"	15"	30"
DLT-1136600	36" x 60"	36"	60"	15"	30"

SINGLE THRESHOLD SHOWER BASE

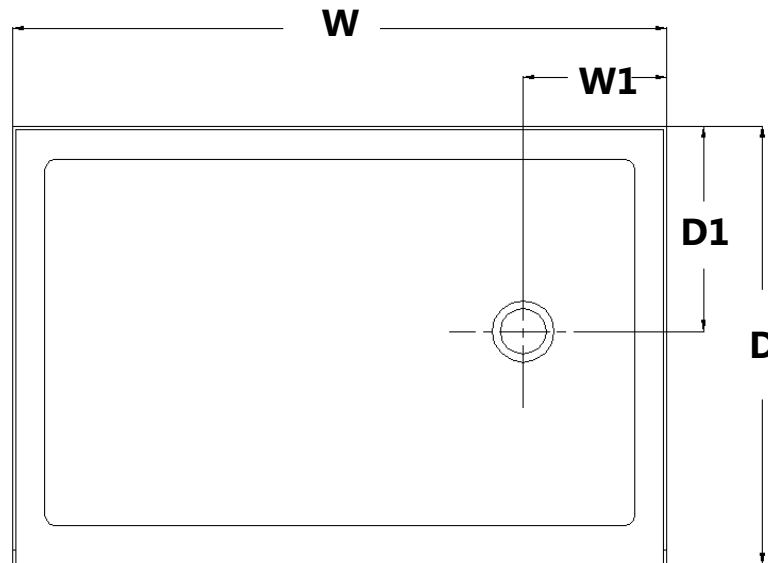
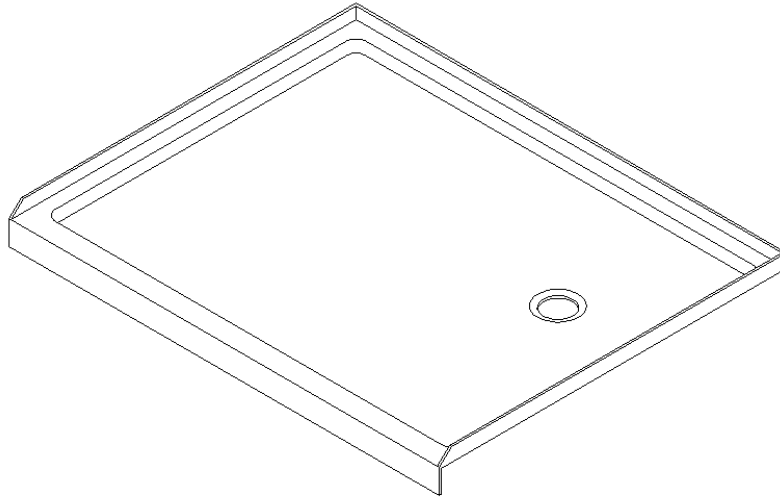
Left-Hand Drain Configuration



MODEL	SPECIFICATION	D (in)	W (in)	D1 (in)	W1 (in)
DLT-1130601	30"×60"	30"	60"	15"	12"
DLT-1132601	32"×60"	32"	60"	15"	12"
DLT-1134601	34"×60"	34"	60"	17"	12"
DLT-1136601	36"×60"	36"	60"	18"	12"

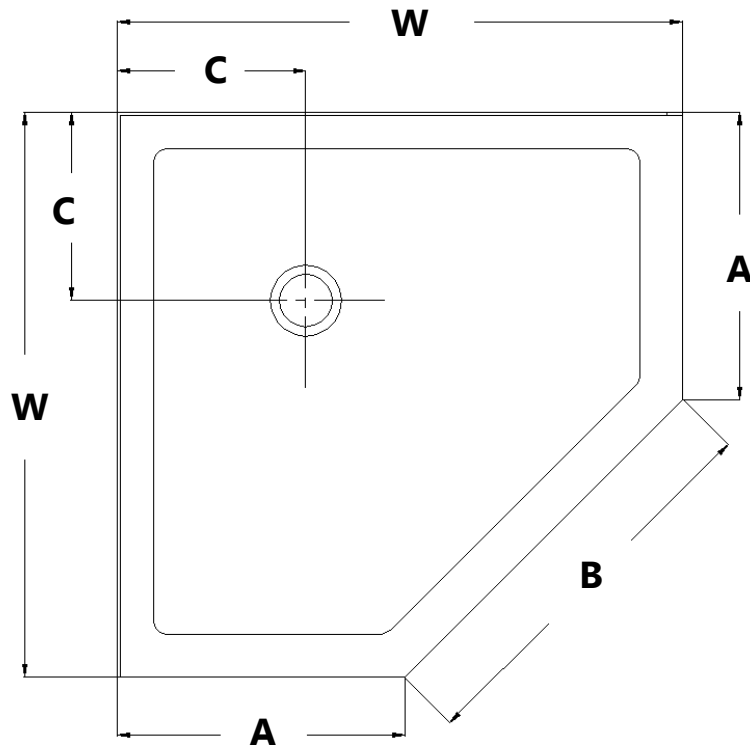
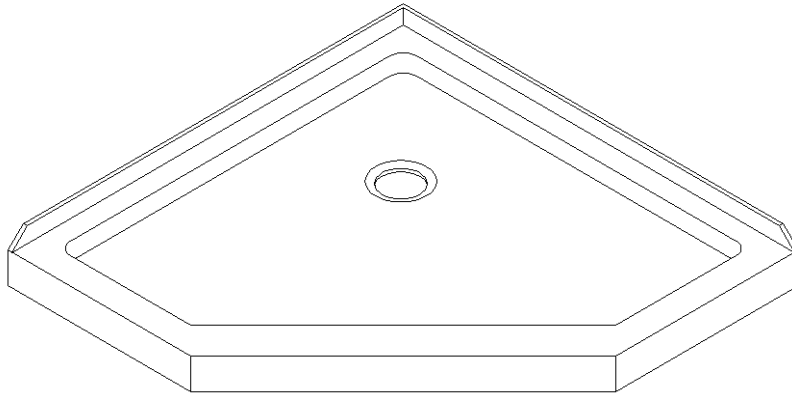
SINGLE THRESHOLD SHOWER BASE

Right-Hand Drain Configuration



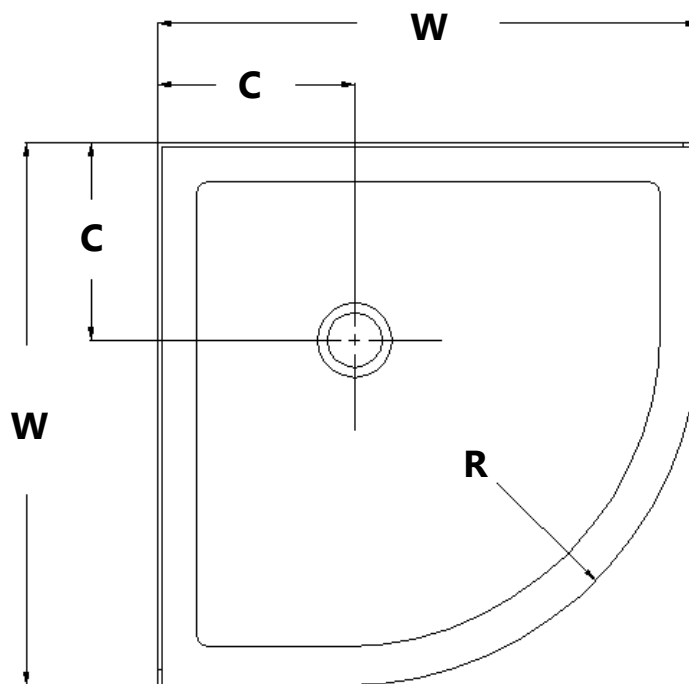
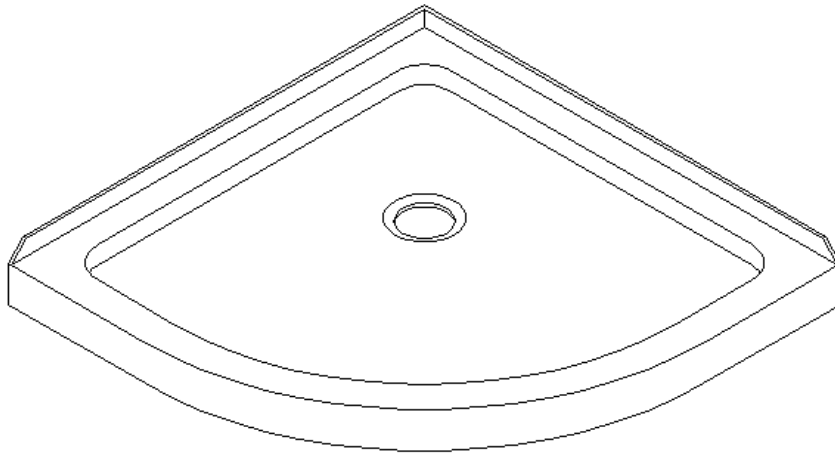
MODEL	SPECIFICATION	D (in)	W (in)	D1 (in)	W1 (in)
DLT-1130602	30"×60"	30"	60"	15"	12"
DLT-1132602	32"×60"	32"	60"	15"	12"
DLT-1134602	34"×60"	34"	60"	17"	12"
DLT-1136602	36"×60"	36"	60"	18"	12"

NEO ANGLE SHOWER BASE



MODEL	SPECIFICATION	W (in)	A (in)	B (in)	C (in)
DLT-2036360	36"×36"	36"	18 5/16"	25"	12"
DLT-2038380	38"×38"	38"	20 5/16"	25"	12"
DLT-2040400	40"×40"	40"	22 5/16"	25"	14 3/8"
DLT-2042420	42"×42"	42"	24 5/16"	25"	14 3/8"

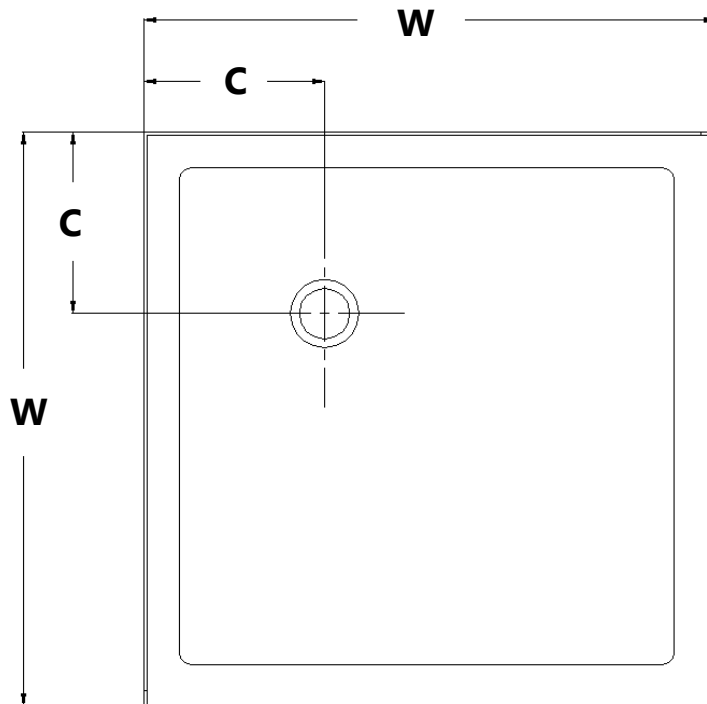
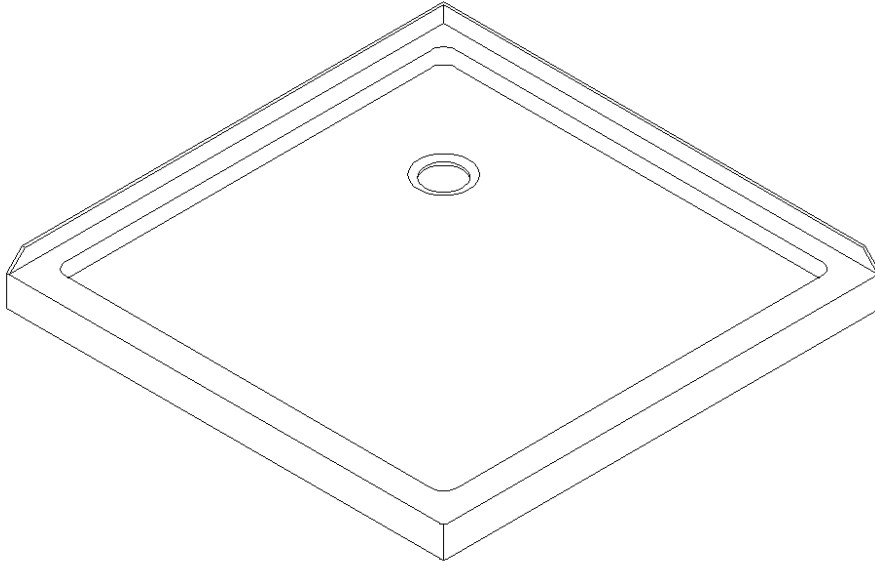
QUARTER ROUND SHOWER BASE



MODEL	SPECIFICATION	W (in)	C (in)	R (in)
DLT-7033330	33"×33"	33"	12"	21 5/8"
DLT-7036360	36"×36"	36"	12"	21 5/8"
DLT-7038380	38"×38"	38"	12"	21 5/8"

DOUBLE THRESHOLD SHOWER BASE

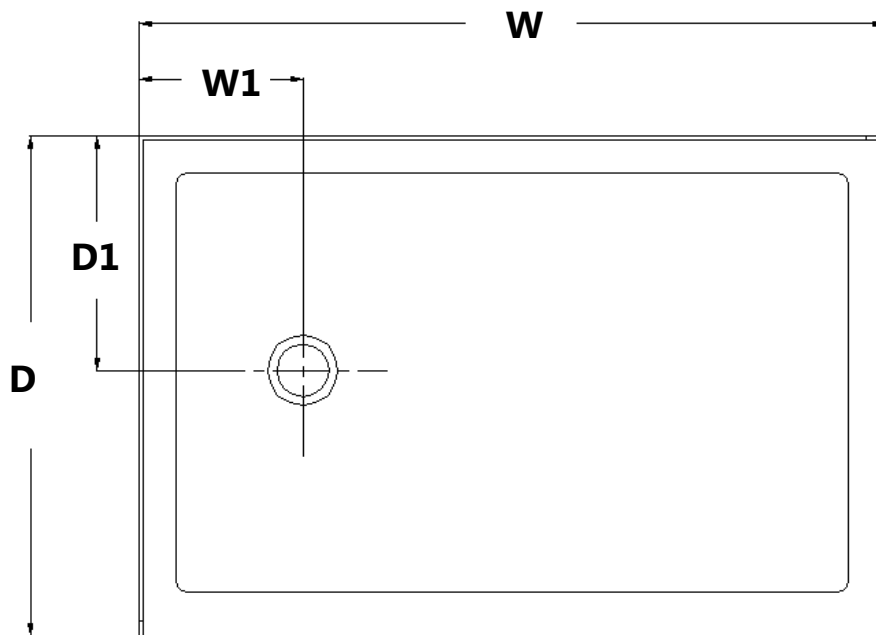
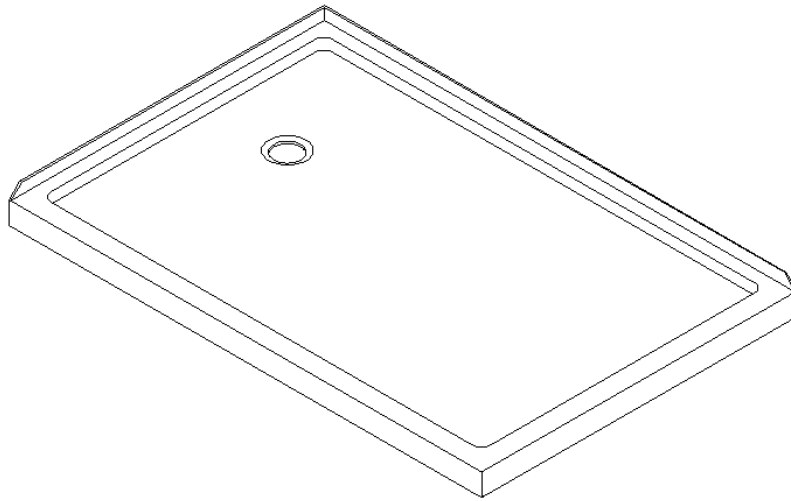
Corner Drain Configuration



MODEL	SPECIFICATION	W (in)	C (in)
DLT-1032320	32"×32"	32"	12"
DLT-1036360	36"×36"	36"	12"

DOUBLE THRESHOLD SHOWER BASE

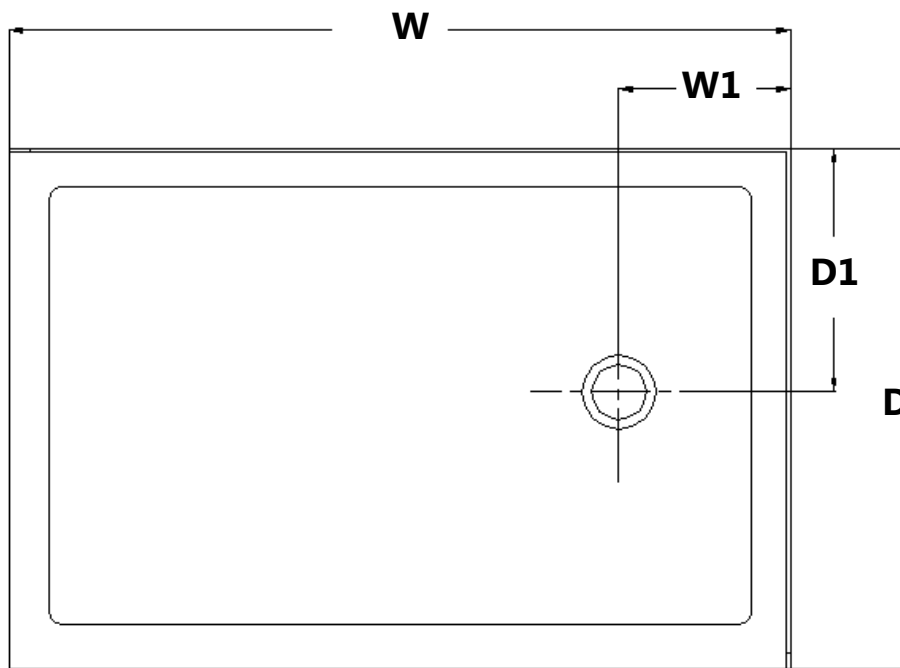
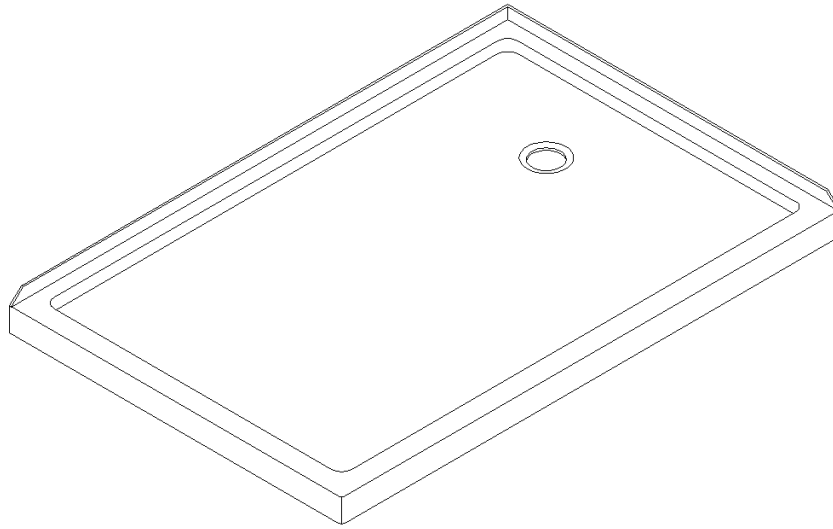
Left-Hand Drain Configuration



MODEL	SPECIFICATION	D (in)	W (in)	D1 (in)	W1 (in)
DLT-1034481	34"×48"	34"	48"	17"	12"
DLT-1036481	36"×48"	36"	48"	18"	12"
DLT-1036601	36"×60"	36"	60"	18"	12"

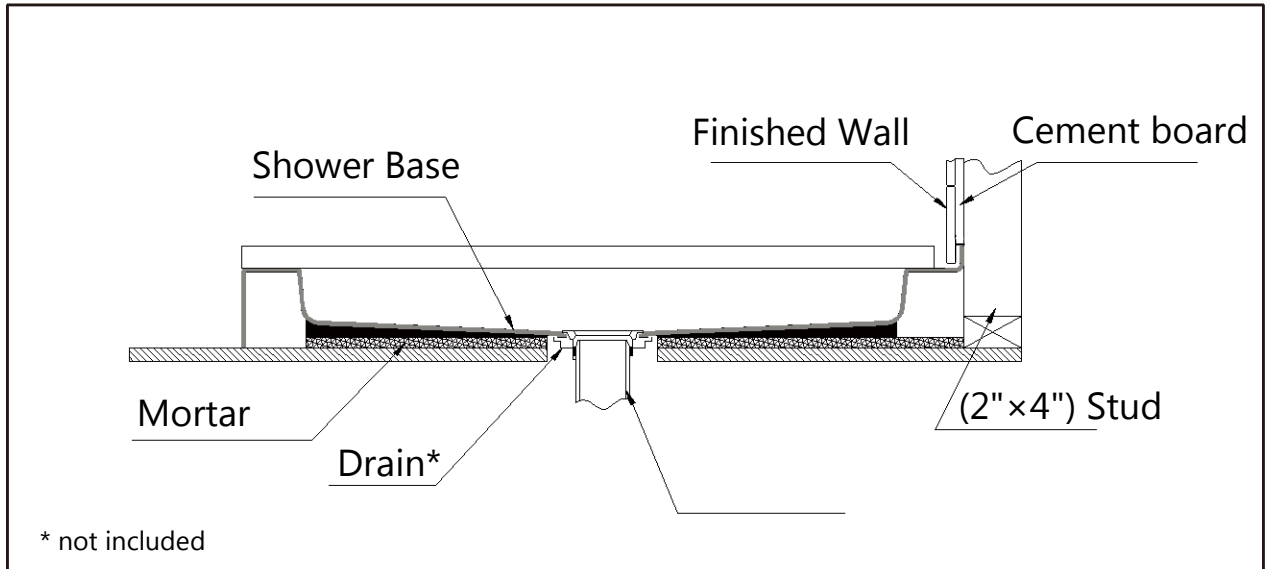
DOUBLE THRESHOLD SHOWER BASE

Right-Hand Drain Configuration



MODEL	SPECIFICATION	D (in)	W (in)	D1 (in)	W1 (in)
DLT-1034482	34"×48"	34"	48"	17"	12"
DLT-1036482	36"×48"	36"	48"	18"	12"
DLT-1036602	36"×60"	36"	60"	18"	12"

Shower Base Cross Section Diagram



Shower Base Installation - Preparation

1. Ensure that the floor and the studs are at right angles.
Provide a 5"×5" opening in the sub-floor for the drain.
The 2" PVC waste pipe should extend above the surface of the sub-floor according to the drain installation instructions and the height of the Shower base.
Refer to the product drawings and tables in this installation manual for the drain location.

See Fig. 1 and Fig. 2 for details.

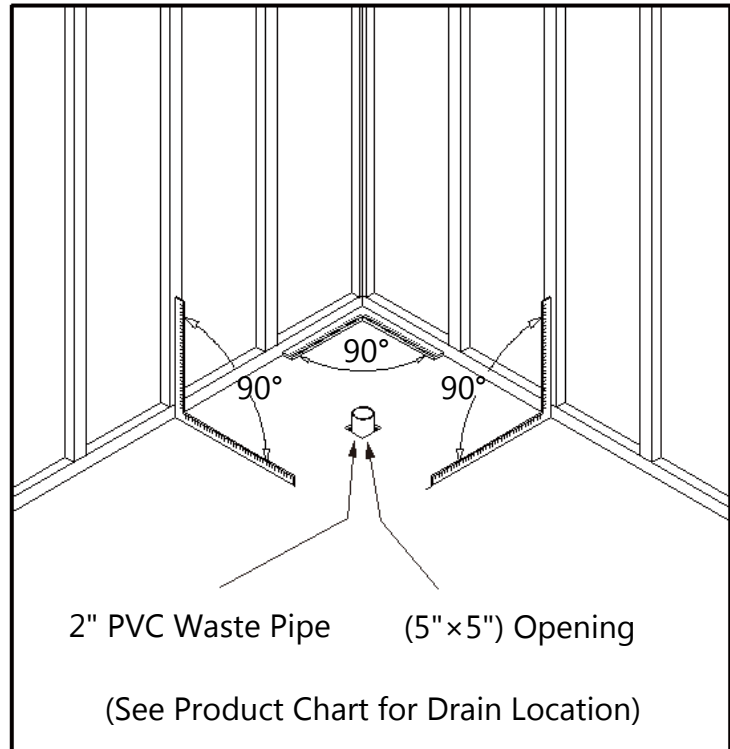


Fig. 1

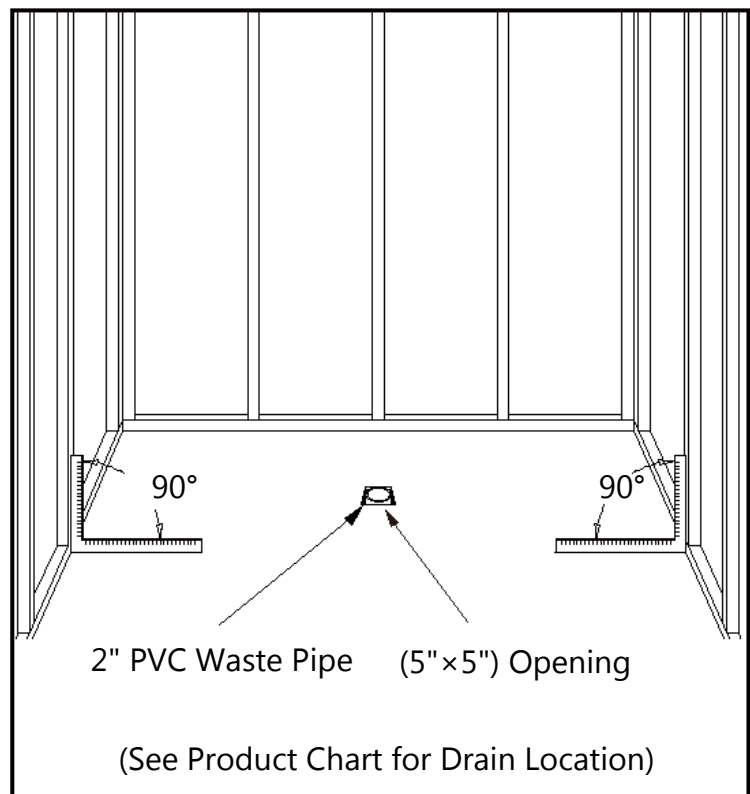


Fig. 2

2. Install the shower drain (**NOT INCLUDED**) according to the drain installation manual (supplied with the drain).

See Fig. 3 for example

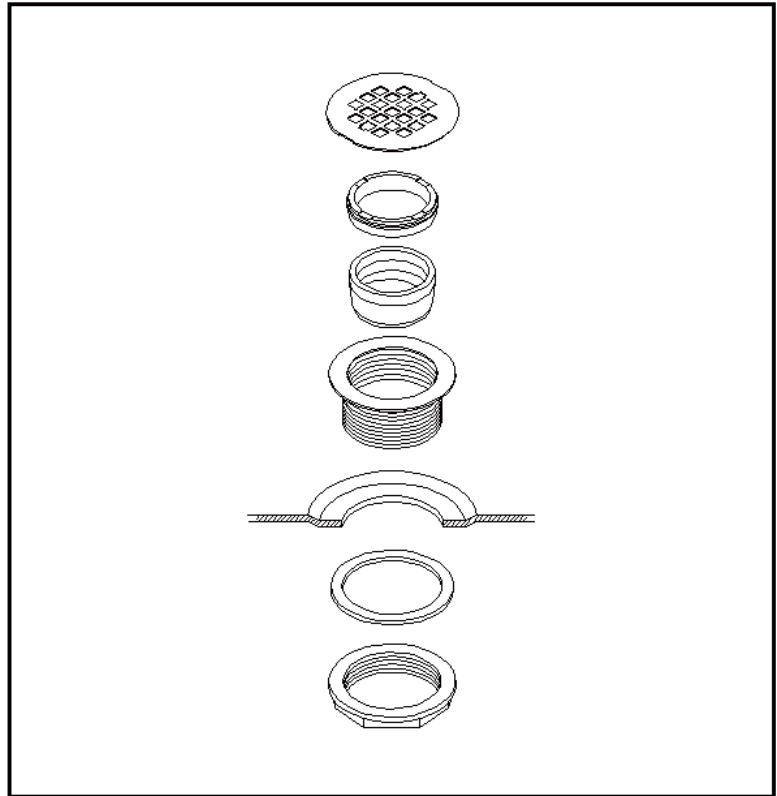
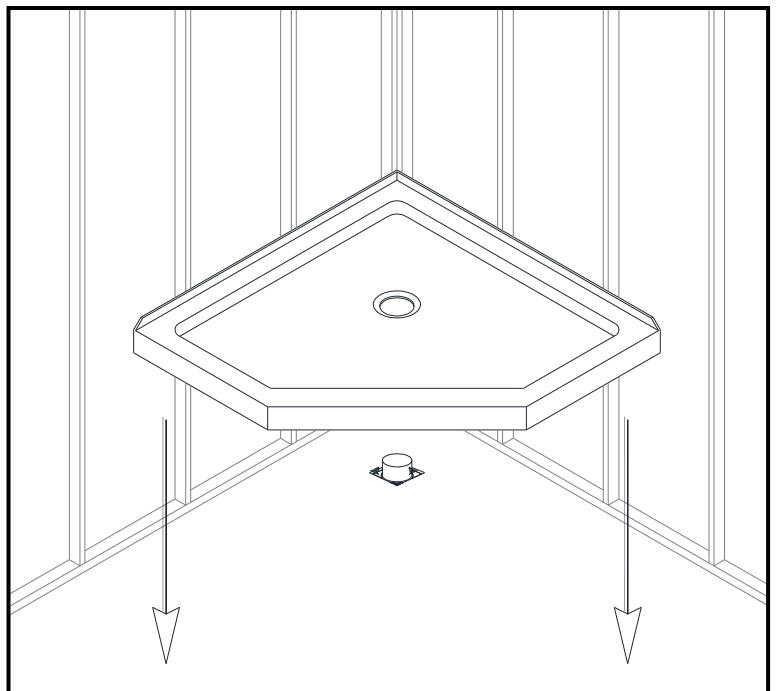


Fig. 3

3. Place the tray into the designated position so that the Drain cutout drops around the Drain Pipe and butt the Shower Base up against the studs.

See Fig. 4 for details.



Lower the base over the drain pipe and set it into place against the studs.

Fig. 4

4. Level the tray and place marks on the studs above the upper edge of the tile flange.

See Fig. 5 for details.

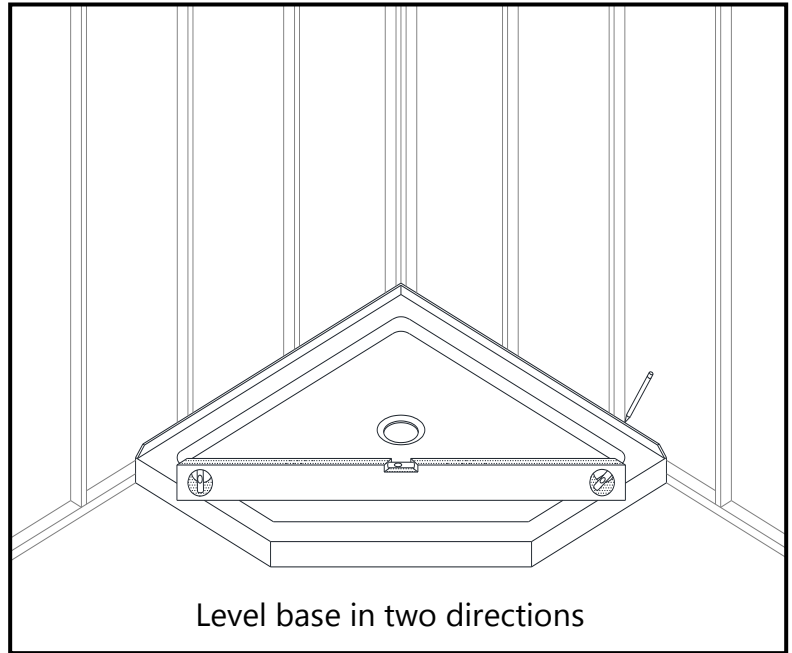


Fig. 5

5. Mix the bedding material (Mortar, cement-sand mix, etc.) **Concrete or plaster is not recommended.** Apply enough bedding material to support the entire bottom of the shower base. This will add additional stability and prevent the base from shifting position.

See Fig. 6 for details.

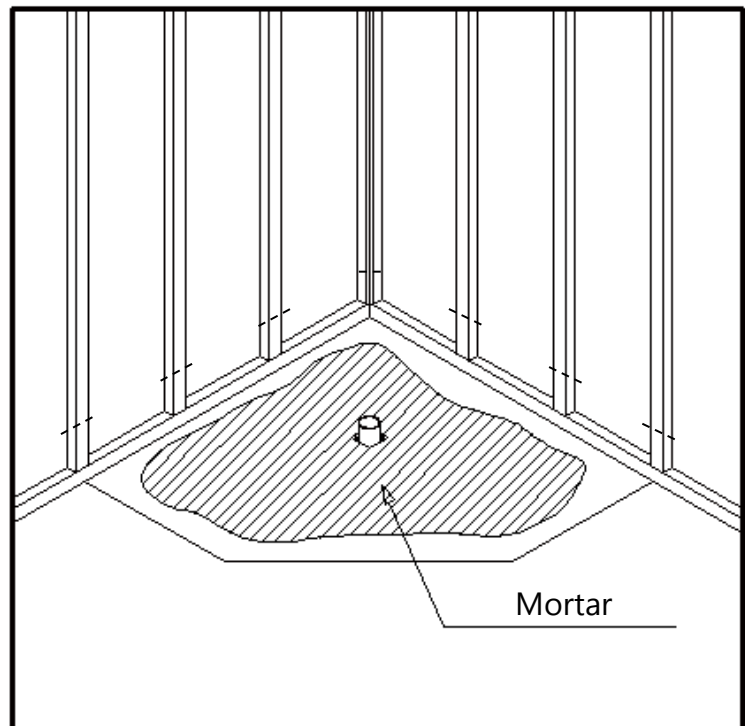
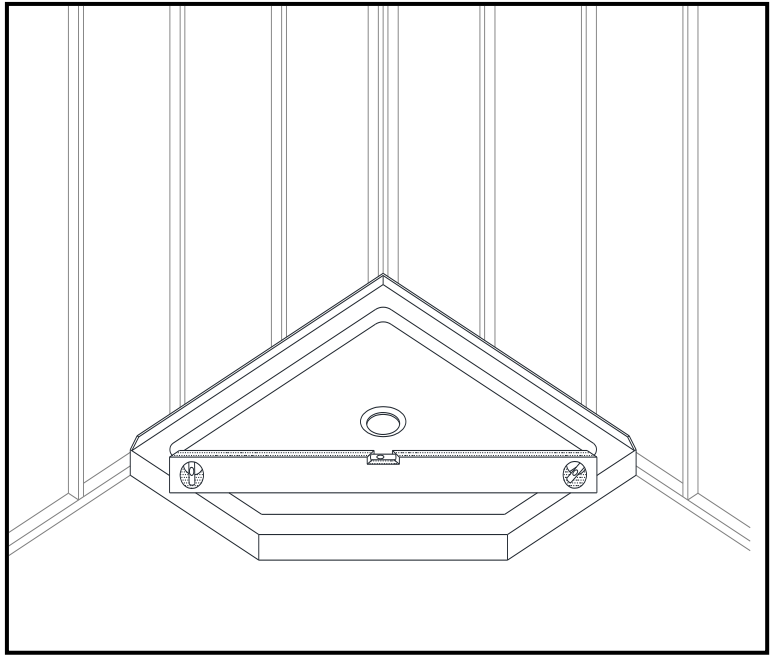


Fig. 6

6. After the bedding material has been poured and *before* it sets, place the shower base into the position with the drain assembly sliding over the PVC waste pipe. It will be necessary to push the shower base until the top of the tile flange aligns with the marks drawn on the studs and the front edge is contacting the rough floor along the entire length of the shower base. Ensure that the base is level in all directions. You may need to use shims to hold the tray in the level until the bedding settles and supports the tray. Remove all excess mortar.



See Fig. 7 for details.

Fig. 7

7. Allow the bedding material to completely harden before applying weight to the bottom of the shower base.

Install the cement board (or the wallboard) above the tile flanges and secure it to the studs. Put the tiles (or other finishing wall material) over the cement board leaving 1/8" gap between the bottom of the tile or wall kit and the shower base. Use caulk to fill the gap.

See Fig. 8 and Fig. 9 for details.

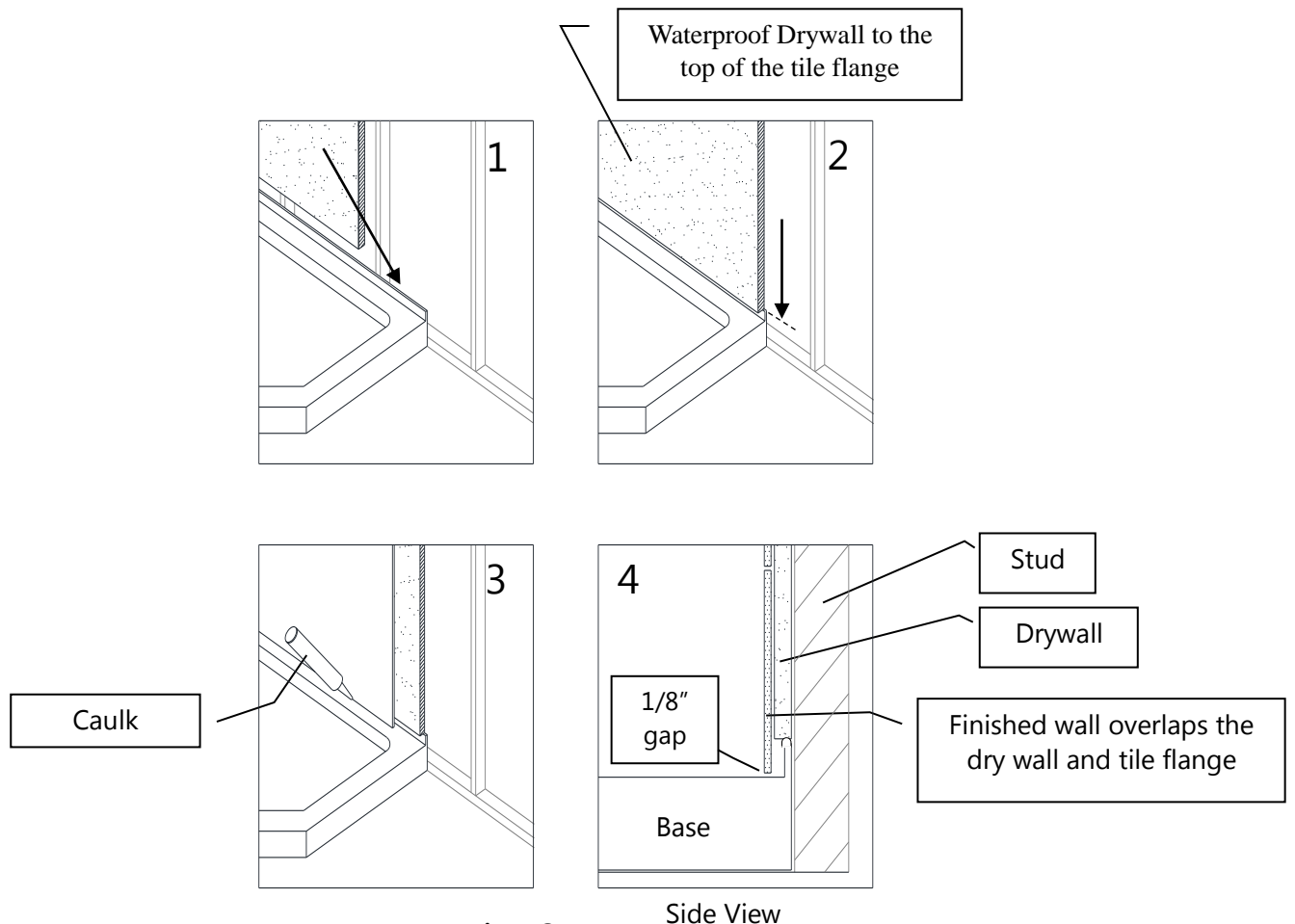


Fig. 8

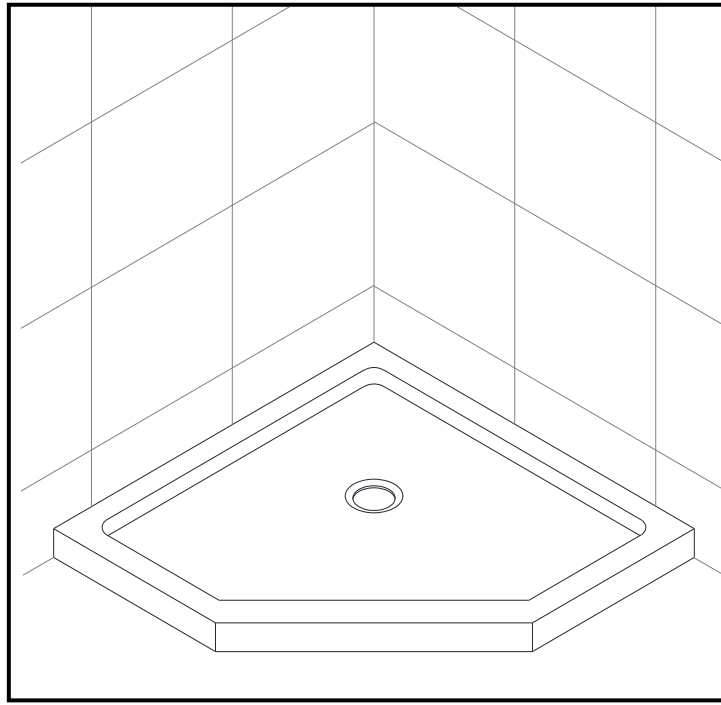


Fig. 9

Product Maintenance

BASES and BACKWALLS: To ensure long lasting life for your acrylic base and/or back walls: wipe them off after each use with a soft cloth. To clean the acrylic base or back walls use non-abrasive sprays or cream based cleaners. Avoid the use of aerosol spray cleaners. Never use abrasive cleansers, metal brushes or scrapers that could scratch or dull the surface.

GLASS: To ensure long lasting life for your glass shower products: wipe them off after each use with a soft cloth. Rinse and wipe off the glass using either a soft cloth or a squeegee to prevent soap buildup and water spots (Hard water can etch the surface of the glass over time if left to dry). To prevent scratching the surface: never use abrasive cleaners or cleaning products that contain scouring agents. Never use bristle brushes or abrasive sponges that may scratch the surface.

HARDWARE: To ensure a long lasting finish: wipe off the metal parts after each use with a soft cloth. Do not use abrasive cleaners or cleaning products containing ammonia, bleach or acid. If accidentally used, rinse the surface as soon as possible to prevent damage to the finish (peeling or corrosion). After cleaning the polished finishes, rinse thoroughly and wipe dry with soft cloth.

Clean stainless steel surfaces at least once a week. When applying stainless steel cleaner or polish to stainless steel hardware, work with (not across) the grain. Never use an abrasive sponge or cloth, steel wool or wired brush as these may permanently scratch the surfaces.

NOTE: To maximize the life of your door, it is important to regularly inspect the glass and other hardware for misalignment, proper attachment, and/or damage. Contact DreamLine with any questions or concerns.



TEL: [866-731-2244](tel:866-731-2244)

FAX: [866-857-3638](tel:866-857-3638)

DREAMLINE.COM

For more information on [DreamLine[®] Shower Doors](http://DreamLine.com) and [Enclosures](#) please visit DreamLine.com



PRISM LUX / PYRAMID

SHOWER ENCLOSURE INSTALLATION INSTRUCTIONS

IMPORTANT

DreamLine® reserves the right to alter, modify or redesign products at any time without prior notice. For the latest up-to-date technical drawings, manuals or additional details please refer to your model's web page on DreamLine.com

Model#s

SHEN-2234340-##

SHEN-2236360-##

SHEN-2238380-##

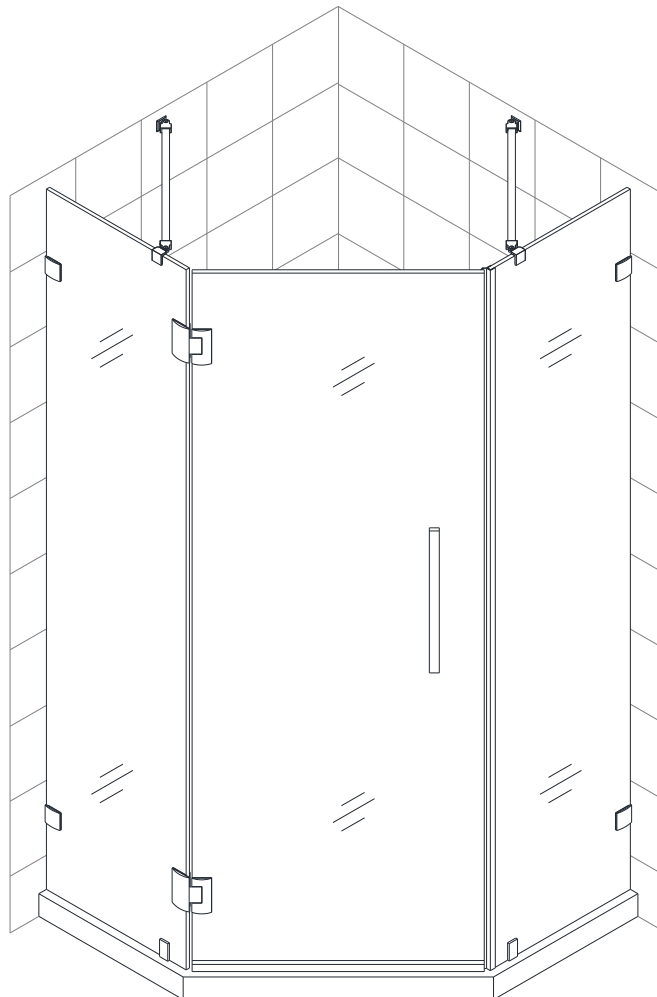
SHEN-2240400-##

##=Finish

-01- Chrome

-04- Brushed Nickel

-06- Oil Rubbed Bronze



Left hand swing installation shown

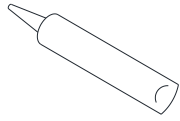
Please read these instructions carefully before installing. If you have any questions regarding installation, please contact our technical support specialists Monday through Friday 8:00 AM – 7:00 PM EST at Phone: [1-866-731-2244](tel:1-866-731-2244), Fax: [1-866-857-3638](tel:1-866-857-3638) or e-mail our technical support group at Support@DreamLine.com

For more information about DreamLine® products please visit DreamLine.com

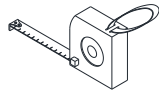
Preparation

1. Prior to installation, examine all boxes and packages for shipping damage and compare the piece count with your packing slip. After opening all boxes and packages read this introduction carefully. Check that all of the needed parts are included in the package by checking off the components on the "Detailed Diagram of Shower Door Components". If the unit has been damaged, has a finishing defect, or has missing parts, please contact our customer support department within **3 business days** of the delivery date. Please note that **DreamLine® will not replace any damaged products or missing parts free of charge after 3 business days or if the product has been installed.** Feel free to contact DreamLine® if you have any questions, and please provide an order number, job name or other proof of purchase to help us identify your original order.
2. If this unit is going to be installed in a new construction, please, install all of the required plumbing and drainage before installing the shower. **Use a competent and licensed (if required by local code) plumber for all plumbing installation.**
3. **Please note that you should consult your local building codes with questions about installation compliance standards. Building and plumbing codes may vary by location, and DreamLine® is not responsible for code compliance standards for your project and will not accept any returns.**
4. Please make sure that prior to beginning the installation, the surfaces are leveled and solid and will be able to support the total weight of the unit. Also make sure the walls are at right angles. Irregular installation surface level, radius corners or improper angle of side walls will result in serious problems for your installation. Please, note that some adjustments and drilling may be necessary during the installation process.
5. Please protect all primary surfaces of the product during installation. Never set your glass down directly onto a tile floor. Leave corner protectors in place until necessary to remove them. Always use a piece of wood or cardboard to protect the bottom edge and corners of the glass prior to and during installation.
6. This unit must be installed upon a finished threshold and against finished walls.
7. **This model does NOT have any adjustment for out of plumb conditions. Verify that your walls are plumb before proceeding with the installation.**
8. **This model requires that you drill into the threshold for proper installation.**
9. **This model requires a minimum 1-1/2" of flat threshold space for installation.**
10. **NOTE:** This model is reversible for left or right hand swing installation. This manual will show the left hand swing installation. For a right hand swing installation, simply begin on the opposite wall and reverse the orientation of the parts as necessary.

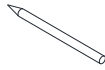
Tools Required



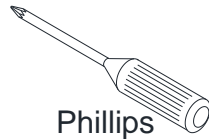
Caulk



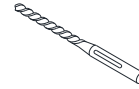
Tape Measure



Pencil



Phillips Screwdriver



Drill bit (Ø=5/16")



Drill bit (Ø=1/8")



Level



Caulk Gun



Electric Drill

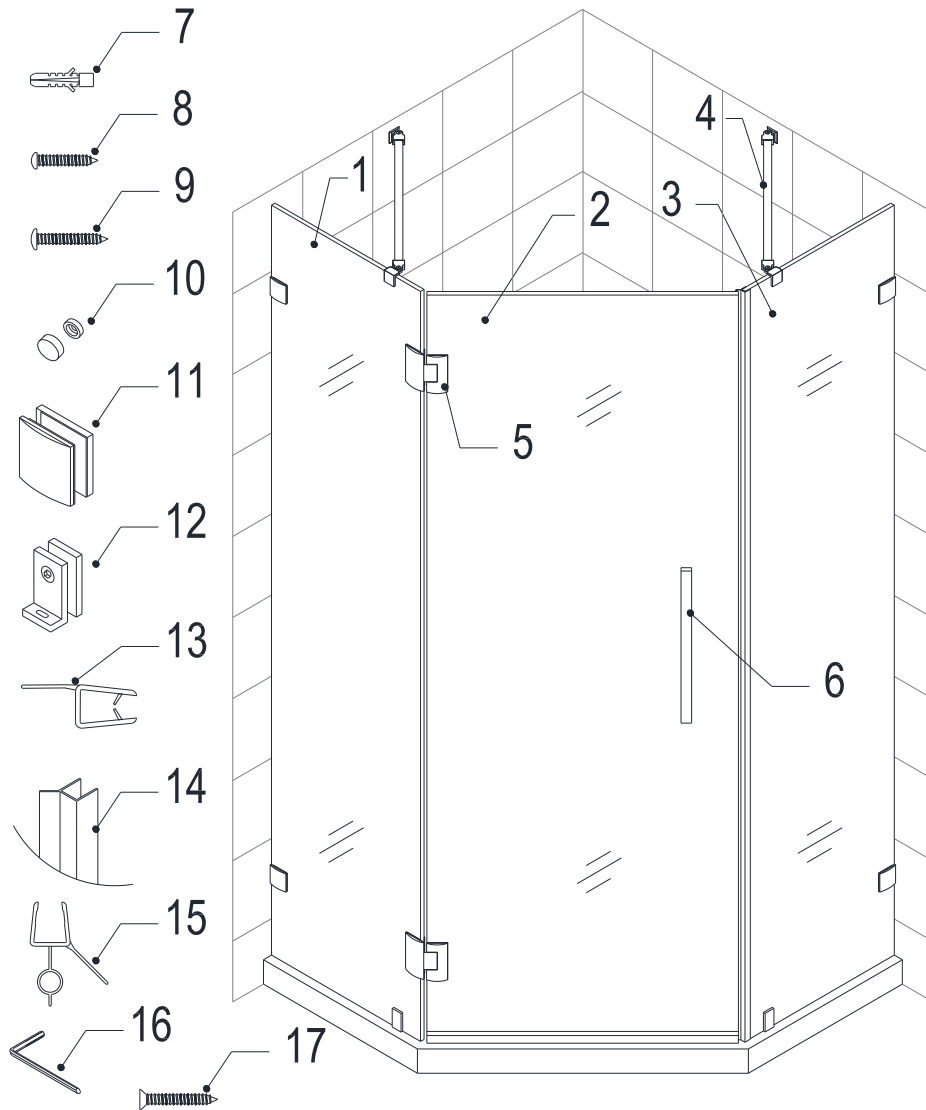


Hammer



Knife

Detailed Diagram of Shower Enclosure Components



Packing List

01	Stationary glass hinge side	1pc	10	Decorative cover	2pcs
02	Glass door	1pc	11	Wall bracket	4pcs
03	Stationary glass	1pc	12	Bottom bracket	2pcs
04	Support bar	2pcs	13	Side strip (3 sections to cut)	1pc
05	Hinge	2pcs	14	Anti-water strip	1pc
06	Handle	1pc	15	Bottom anti-water strip	1pc
07	Wall anchor	6pcs	16	Allen Key	1pc
08	Round head Screw ST4.2x25	2pcs	17	Countersunk screw ST4.2x40	2pcs
09	Round head screw ST4.2x55	4pcs			

NOTE: Unpack your unit carefully and inspect it. Identify all parts using the detailed diagram and packing list in this manual as a reference. Before discarding the carton, check for small hardware bags that may have fallen to the bottom of the box. If any parts are damaged or missing, please contact DreamLine® for replacement. The shipping boxes may contain extra parts not used in your model configuration.

NOTE: Retain these installation instructions for future reference.

Shower Enclosure Installation

1. Assemble the **Wall brackets (11)** onto the **Stationary glass hinge side (01)** and the **Stationary glass (03)**.

See Fig. 1 and Fig. 2 for details.

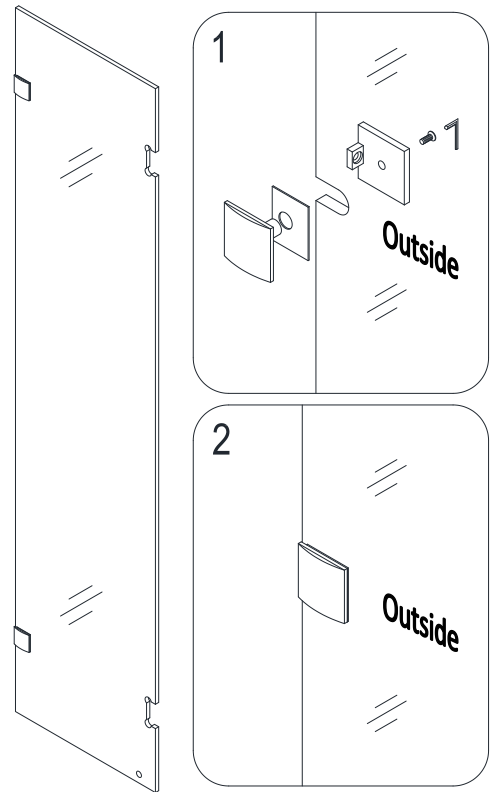


Fig. 1

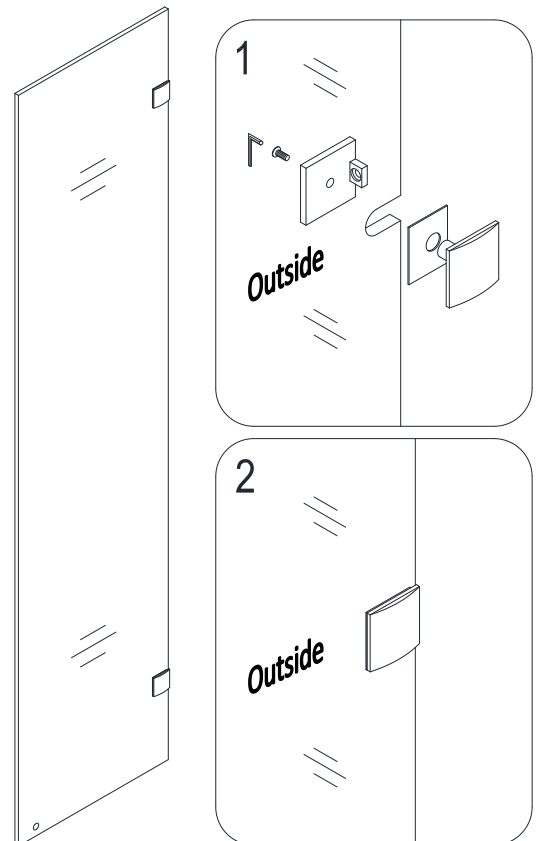


Fig. 2

2. Draw a line on the wall according to your Shower Enclosure model size.

Product specifications:

<i>Measured from the finished corner to the outside edge of the glass</i>		
Model No	W1	W2
SHEN-GL2211-343410	34 3/8"	34 3/8"
SHEN-GL2211-363610	36 3/8"	36 3/8"
SHEN-GL2211-383810	38"	38"
SHEN-GL2211-404010	40 3/8"	40 3/8"

See Fig. 3 for details.

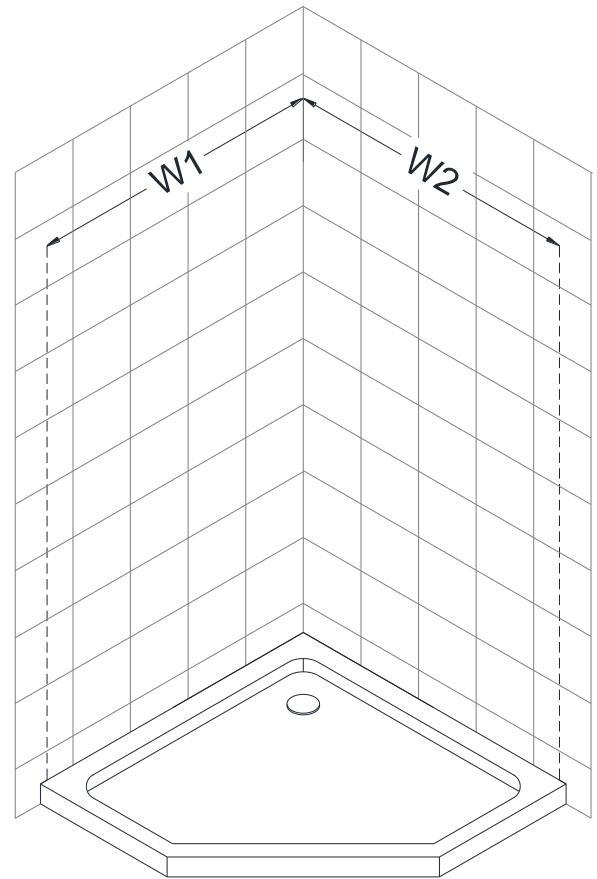


Fig. 3

3. Place the **Stationary glass (01)** and **(03)** onto the Shower base, position against the wall and level vertically.

See Fig. 4 for details.

Note:

- Measure from the finished corner to the outside of the glass as shown. Use the dimensions in the table in Step#2.
- The stationary glass must be installed at the correct dimensions for your model size
- Make sure the **Stationary glass** is plumb and level.

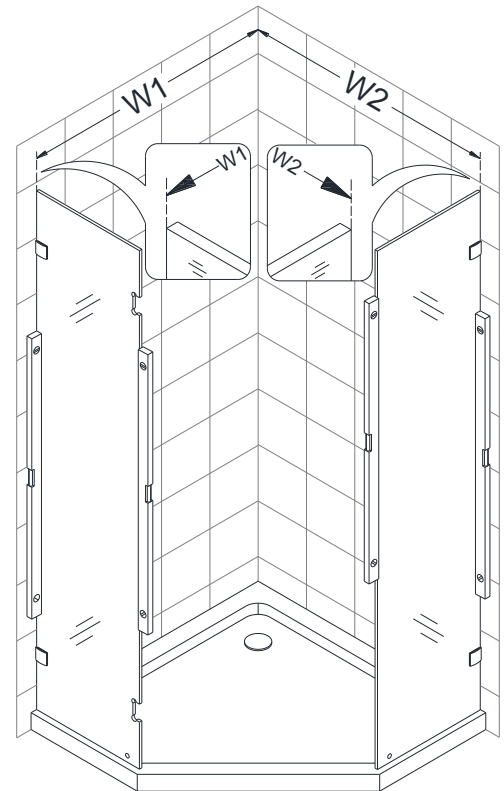


Fig. 4

4. Outline the position of the **Wall brackets (11)** on the wall.

Set both lites of **Stationary glass (01), (03)** aside.

Remove the **Wall brackets (11)** from the **Stationary glass** and place them back in position with the outlines to mark the holes for drilling on the wall.

Drill the holes in the wall using a $\text{Ø } 5/16''$ drill bit and insert the **Wall anchors (07)** for the **Wall brackets**.

Fasten the **Wall brackets (11)** to the wall using the **Round head screws ST4.2×55 (09)**.

See Fig. 5 for details.

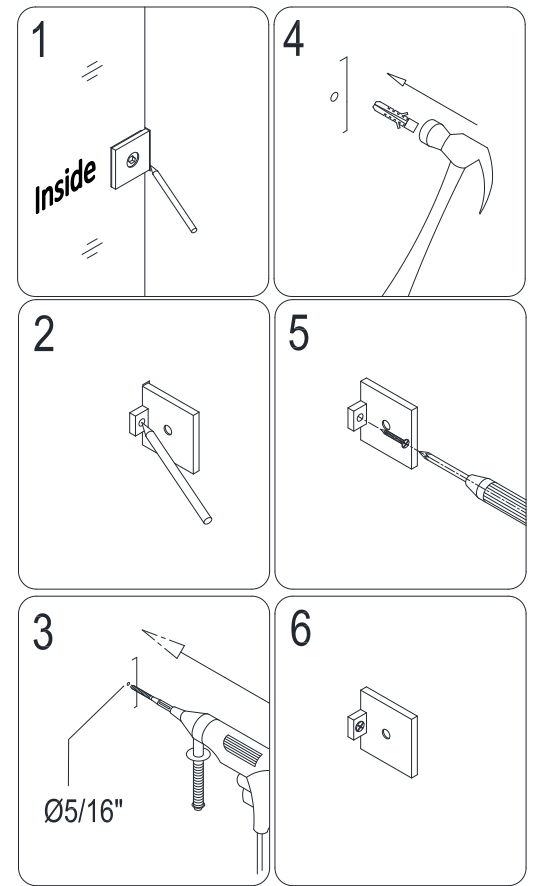


Fig. 5

5. Place the **Stationary glass (01)** and **(03)** back into the designated position, assemble the **Wall brackets (14)** and tighten the bolts. Be sure to use the gaskets to protect the glass.

See Fig. 6 and Fig. 7 for details.

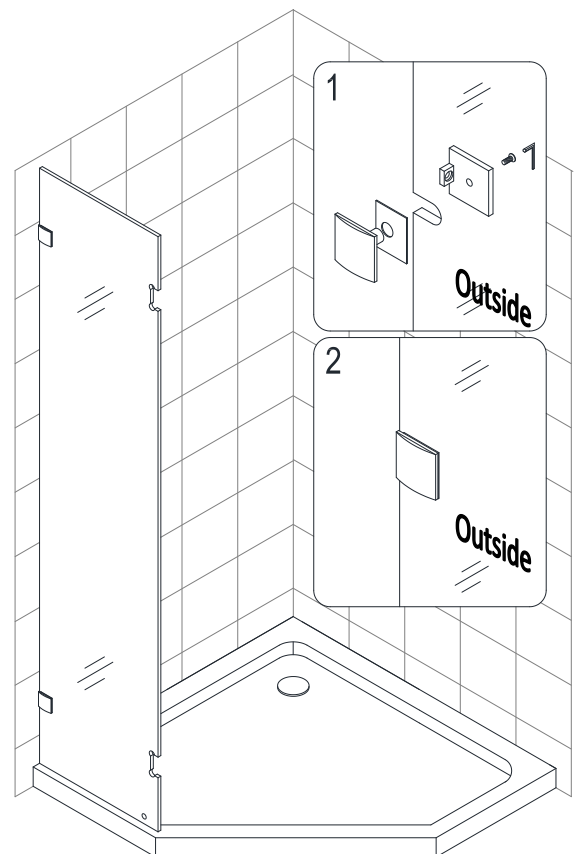


Fig. 6

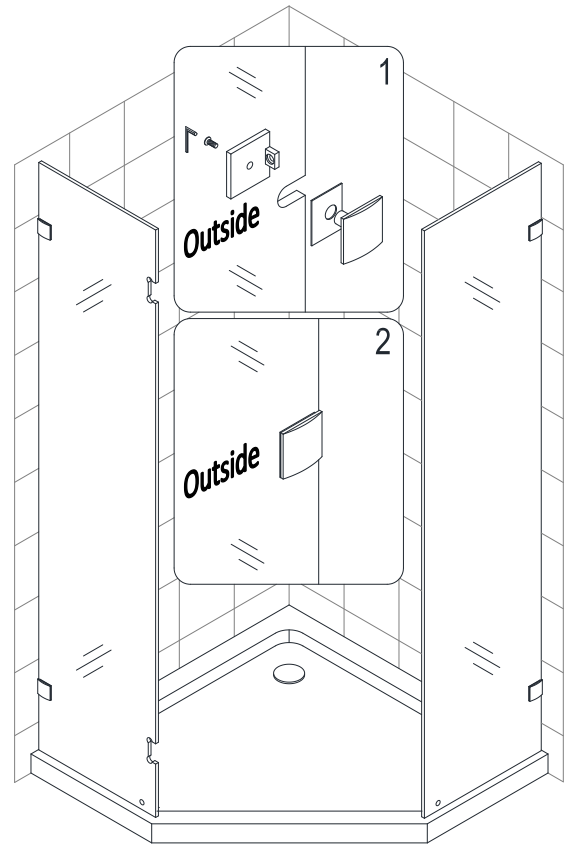


Fig. 7

6. Locate the **Support bar (04)**.

Position the **Support bar (04)** at an angle (ideally 45°) between the glass and the wall. Level it horizontally. Hold it firmly and outline the bracket's position on the wall. Remove the **Support bar (04)** and detach the wall bracket from it. Place the wall bracket against its outlined position on the wall and mark the drilling hole.

Drill the hole using a **Ø 5/16"** drill bit, insert the **Wall anchor (07)** and fasten the wall bracket to the wall with the **Countersunk screw ST4.2×40 (17)**. Attach the **Support bar (04)** to the wall as shown on Fig. 8.5 and tighten the set screws and the glass holding screw to secure the glass.

Be sure gaskets are in place to protect the glass.

Repeat these steps for the other **Support bar (04)**.

See Fig. 8 and Fig. 9 for details.

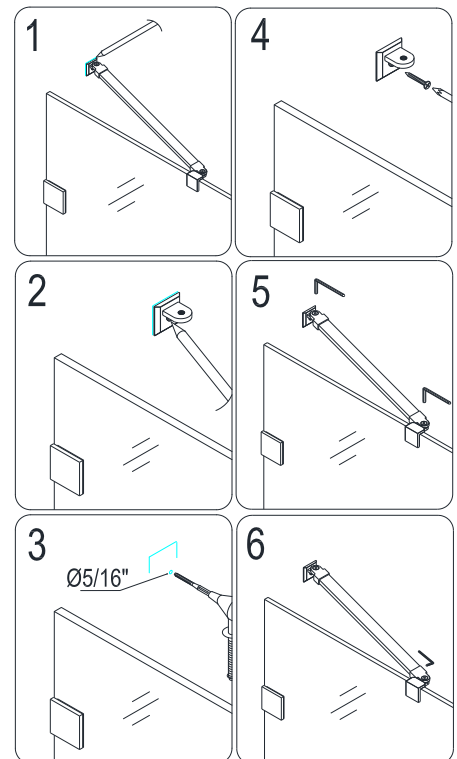


Fig. 8

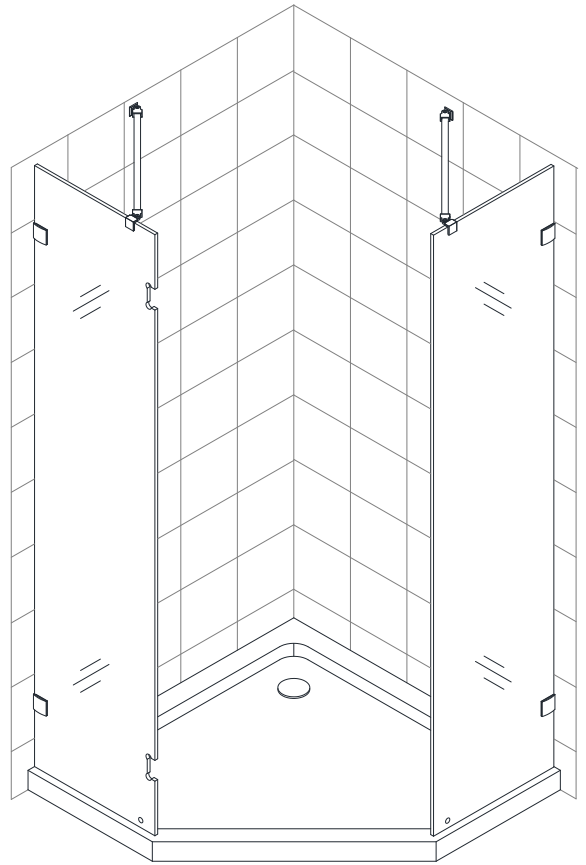


Fig. 9

- Attach the **Hinges (05)** to the **Stationary glass hinge side (01)** with the decorative bolts facing inside the shower. Carefully bring the **Glass door (02)** into the Shower between the two stationary panels. Level up the **Glass door (02)** next to the **Stationary glass hinge side (01)** and fasten the hinges onto the **Glass Door (02)**. Make sure the top edges of the **Glass door (02)** and the **Stationary glass hinge side (01)** are aligned.

See Fig. 10 and Fig. 11 for details.

TIP: Use a 13/16" shim beneath the door glass to help align the door glass with the hinges and to protect the threshold and the bottom of the door glass from damage.

NOTE: DO NOT install the handle onto the door glass until instructed to do so. **DO NOT** lift the glass using the handle. This could result in damage to the glass and/or serious personal injury. Always use an assistant or a professional grade glass suction cup when handling heavy glass.

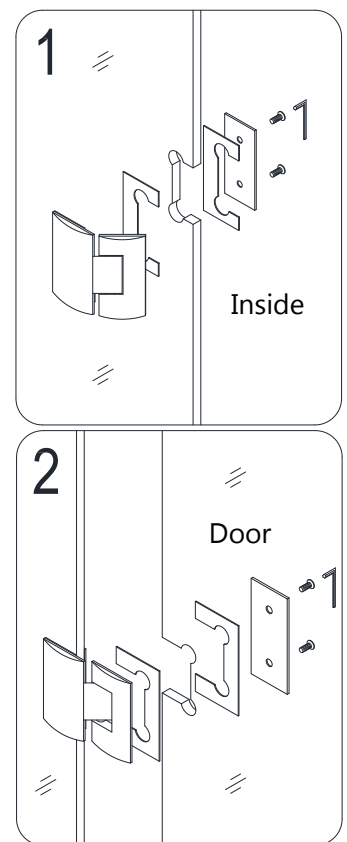


Fig. 10

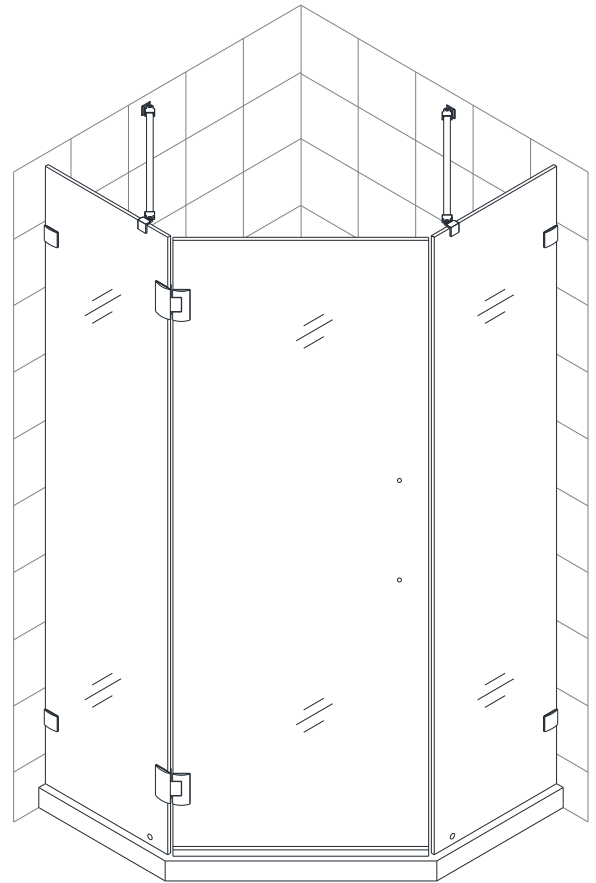


Fig. 11

8. Press the **Anti-water strip (14)** onto the vertical edge of the **Stationary glass (03)**. (Fig 12.1)
 Press the **Bottom anti-water strip (15)** onto the bottom edge of the **Glass door (02)**. (Fig 12.2)
 Take three measurements:
- from the top edge of the **Glass door (02)** to the top edge of the inner part of the **Hinge (05)**; (See Fig 12.3)
 - repeat this process between the top and bottom hinges
 - Measure up from the surface of the shower base to the bottom of the inner part of the bottom hinge
 Cut the **Side strip (13)** according to these measurements. Notch the ends to fit into the hinge and also around the **Bottom anti-water strip (15)**. Fully press the cut strips onto the vertical edge of the glass **door**.

See Fig. 12 for details.

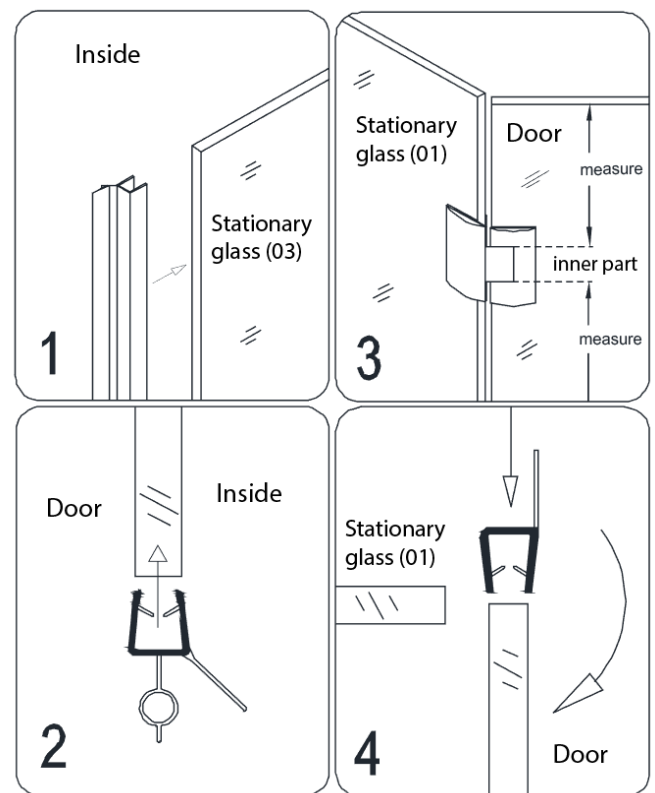


Fig. 12

9. After final adjustments, secure both **Stationary glass panels** to the threshold with the **Bottom brackets (12)**. Assemble the **Bottom brackets (12)** through the holes in the Stationary panels. Drill the holes in the Shower base through the holes in the flange of the **Bottom brackets** using an **Ø 1/8"** drill bit. Fasten the bottom brackets with the **Round head screw ST4.2×25 (08)** and washer. Cover the screw with the **Decorative cover (10)**. Install the **Handle (06)** to the **Glass door (02)**.

See Fig. 13 for details.

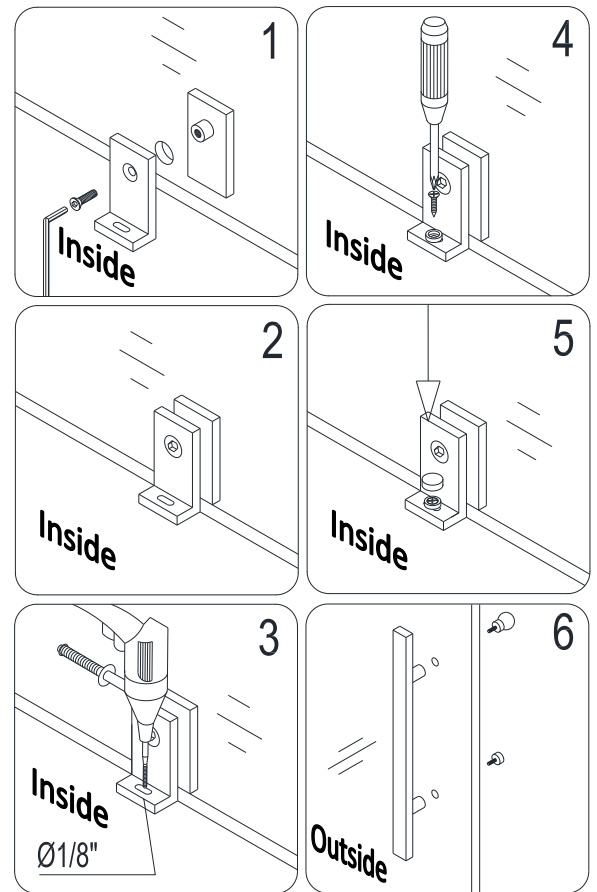


Fig. 13

10. Apply good quality mildew-resistant silicone along the connection of the stationary glass with the walls and the Shower base/threshold. Allow 24 hours for the silicone to fully cure before using the shower.

See Fig. 14 for details.

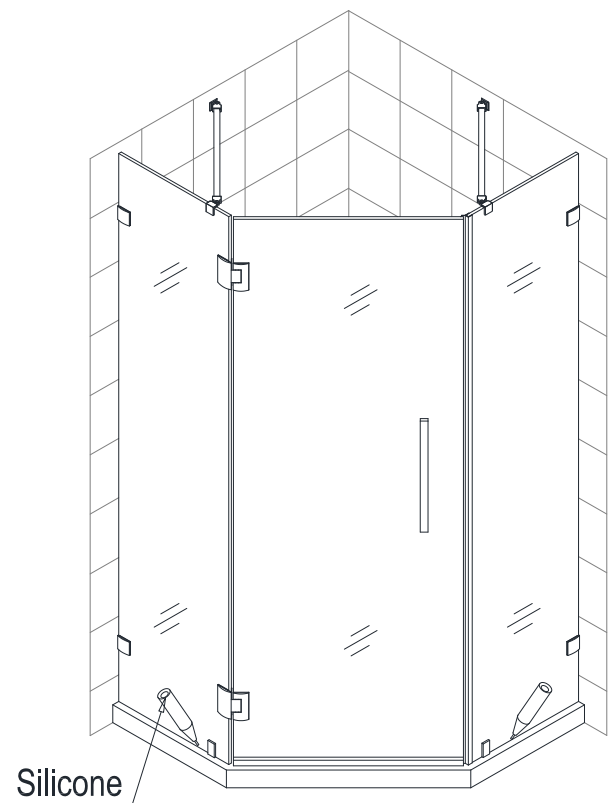
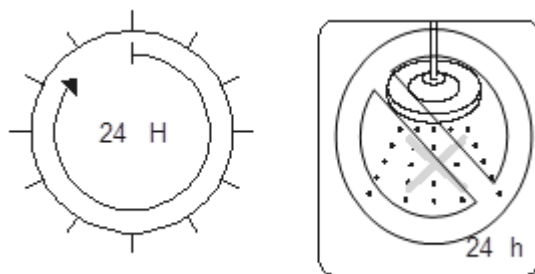


Fig. 14

Product Maintenance

BASES and BACKWALLS: To ensure long lasting life for your acrylic back walls: wipe them off after each use with a soft cloth. To clean the acrylic back walls use non-abrasive sprays or cream based cleaners. Avoid the use of aerosol spray cleaners. Never use abrasive cleansers, metal brushes or scrapers that could scratch or dull the surface.

GLASS: To ensure long lasting life for your glass shower products: wipe them off after each use with a soft cloth. Rinse and wipe off the glass using either a soft cloth or a squeegee to prevent soap buildup and water spots (Hard water can etch the surface of the glass over time if left to dry). To prevent scratching the surface: never use abrasive cleaners or cleaning products that contain scouring agents. Never use bristle brushes or abrasive sponges that may scratch the surface.

HARDWARE: To ensure a long lasting finish: wipe off the metal parts after each use with a soft cloth. Do not use abrasive cleaners or cleaning products containing ammonia, bleach or acid. If accidentally used, rinse the surface as soon as possible to prevent damage to the finish (peeling or corrosion). After cleaning the polished finishes, rinse thoroughly and wipe dry with soft cloth. Clean stainless steel surfaces at least once a week. When applying stainless steel cleaner or polish to stainless steel hardware, work with (not across) the grain. Never use an abrasive sponge or cloth, steel wool or wired brush as these may permanently scratch the surfaces.



TEL: [866-731-2244](tel:866-731-2244)

FAX: [866-857-3638](tel:866-857-3638)

DREAMLINE.COM

For more information on [DreamLine® Shower Doors](http://DreamLine.com) and [Enclosures](http://DreamLine.com) please visit DreamLine.com