

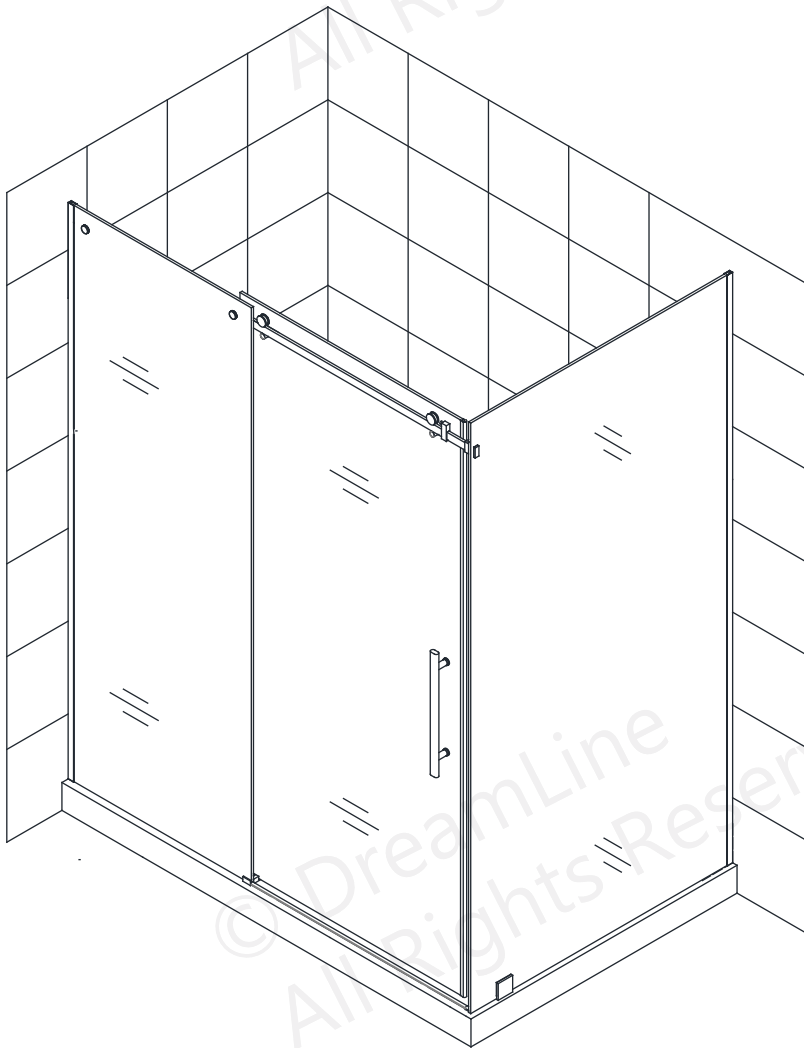


ENIGMA AIR ENCLOSURE

SHOWER ENCLOSURE INSTALLATION INSTRUCTIONS

IMPORTANT!

DreamLine® reserves the right to alter, modify or redesign products at any time without prior notice for the purpose of product improvement and customer experience. Please refer to the model's web page on **DreamLine.com** for the latest technical drawings, installation manuals, warranty information or additional product details.



MODEL #s

SHEN-6434480-##

SHEN-6434540-##

SHEN-6434600-##

##=finish

07- Brushed Stainless Steel

08- Polished Stainless Steel

Right-hand return panel installation shown

PLEASE REVIEW THIS ENTIRE MANUAL PRIOR TO INSTALLATION



Questions?

Please Call **DreamLine** Customer Support: **1-866-731-2244**
Hours of Operation M-F 8AM - 6PM EST

Support@DreamLine.com



For more information about DreamLine® Shower Doors, Tub Doors & Enclosures, please visit **DreamLine.com**



This model is treated with DreamLine's exclusive ClearMax™ Glass technology. This is a specially formulated coating that prevents the buildup of soap and water spots.

Install the surface with the ClearMax™ label towards the inside of the shower. Please note that depending on the model, the glass may be coated on either one or both surfaces.

For best results, squeegee the glass after each use and dry with a soft cloth.

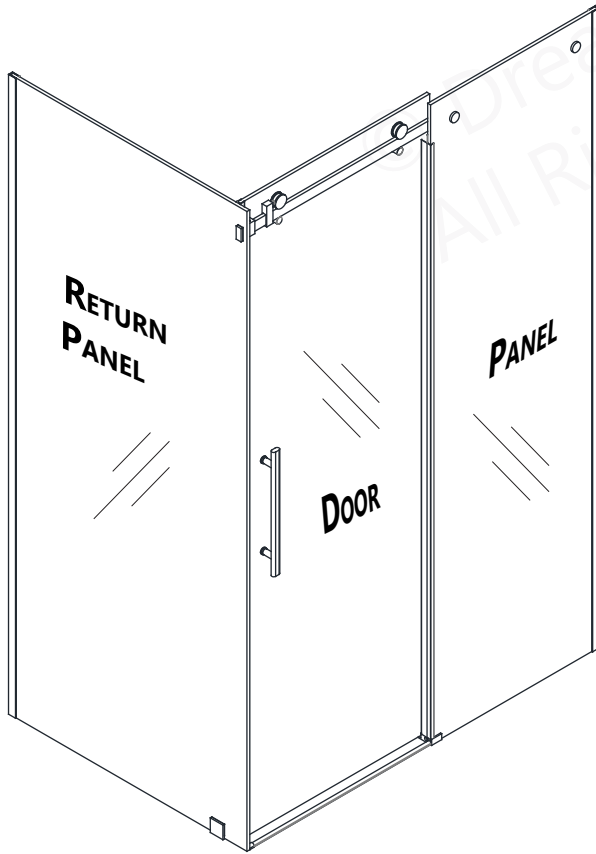
Table of Contents

| Section title | Page # |
|---|---------------|
| Handing Information | 2 |
| Troubleshooting and Maintenance Tips | 3 |
| Reinforcement Instructions | 4 |
| Preparation | 5 |
| Tools Required | 6 |
| Detailed Diagram of Shower Door Components | 7 |
| Parts List - A | 8 |
| Parts List - B | 9 |
| Shower Enclosure Plan (Dimensions) | 10 |
| Installation Steps | 11-31 |
| Roller Wheel Adjustment | 26 |
| Installation of Roller Guards and Vinyl Seals | 27 |
| Bumper Installation | 28-29 |
| Door Stopper Installation | 30 |
| Product maintenance | 32 |

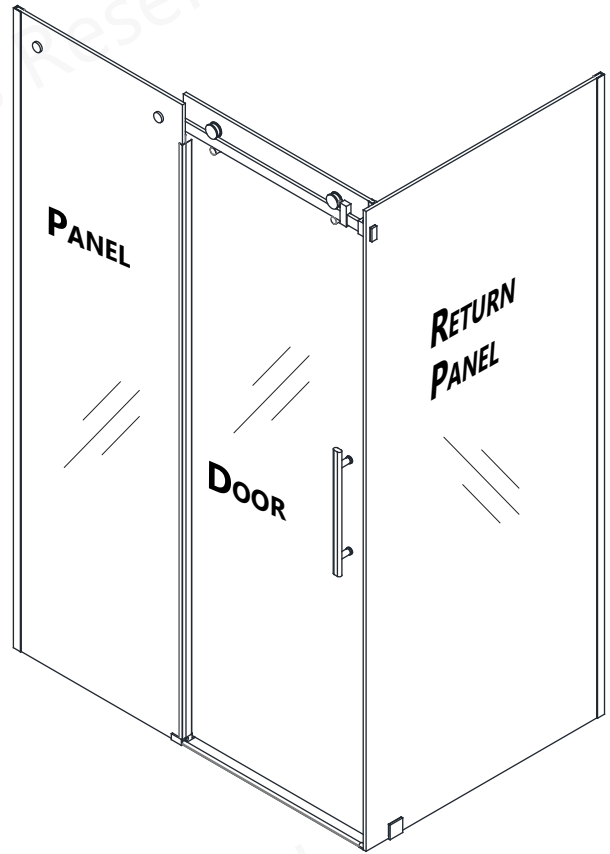


This product should be installed by someone familiar with the construction requirements for this type of product and the care necessary for the safe installation and operation of the product.

Handing Information



Left-hand return panel



Right-hand return panel



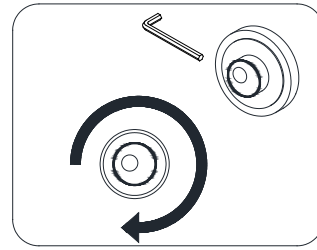
NOTE: This door is reversible for right or left-hand installation. The right-hand return panel installation is shown as an example throughout this manual. For the left-hand return panel installation, simply begin on the opposite wall and reverse the orientation of the steps shown.

ENIGMA-AIR

troubleshooting and maintenance tips

Right Hand door installation shown as an example

Roller wheels adjusted as needed so the bulb vinyl seal makes even contact with the wall from top to bottom



Rotate disk to adjust

Stopper properly positioned and tight - door stops well before handle can contact the panel glass when door is in the fully open position

Roller wheels tight with proper clearance beneath the door glass and guide block

Stopper properly positioned and tight so the Door stops against the stopper and prevents the Door from making hard contact with the wall but allows the bulb vinyl to seal

Guide Rail bracket flush with wall and set screws tight

Guide Rail level

Guide Rail bracket flush with wall and set screws tight; Installation into a stud strongly recommended

Glass brackets tight

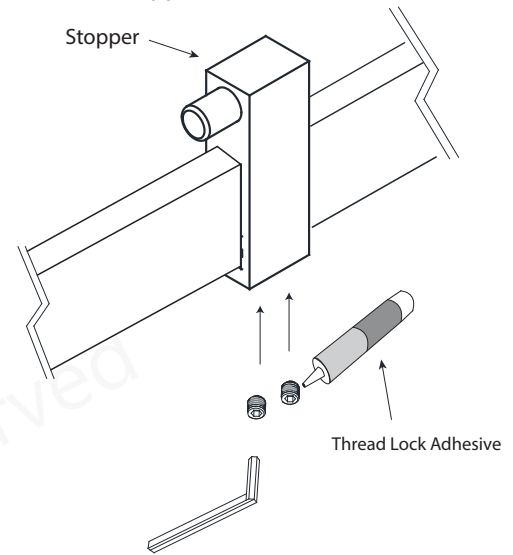
Roller guards positioned properly and tight within 1/16" beneath guide rail

To secure the Stoppers (#05): Apply Thread Lock adhesive to the threads of the set screws during the final installation. Fully tighten the set screws with the supplied allen wrench.

Panel Glass

Door Glass

Handle tight



Thread Lock Adhesive

Inspect bottom corners of door glass for damage. **Units with damaged door glass should not be used until door glass has been replaced**

Bulb vinyl seal installed

The bulb vinyl seal on the edge of the door makes even contact with the wall when the door is fully closed

* Stopper Locations as measured from the wall to the center of the stopper:

- Panel side: 4-3/4" (+/-) (but no less than 4-1/2")
- Door side: 4" (+/-) (depends on opening conditions)

Bumper is secured in position with 3M tape or screwed to the wall

Panel Glass sits flush on the threshold

Guide block screwed down and square with glass

Recommended to apply thread lock to:

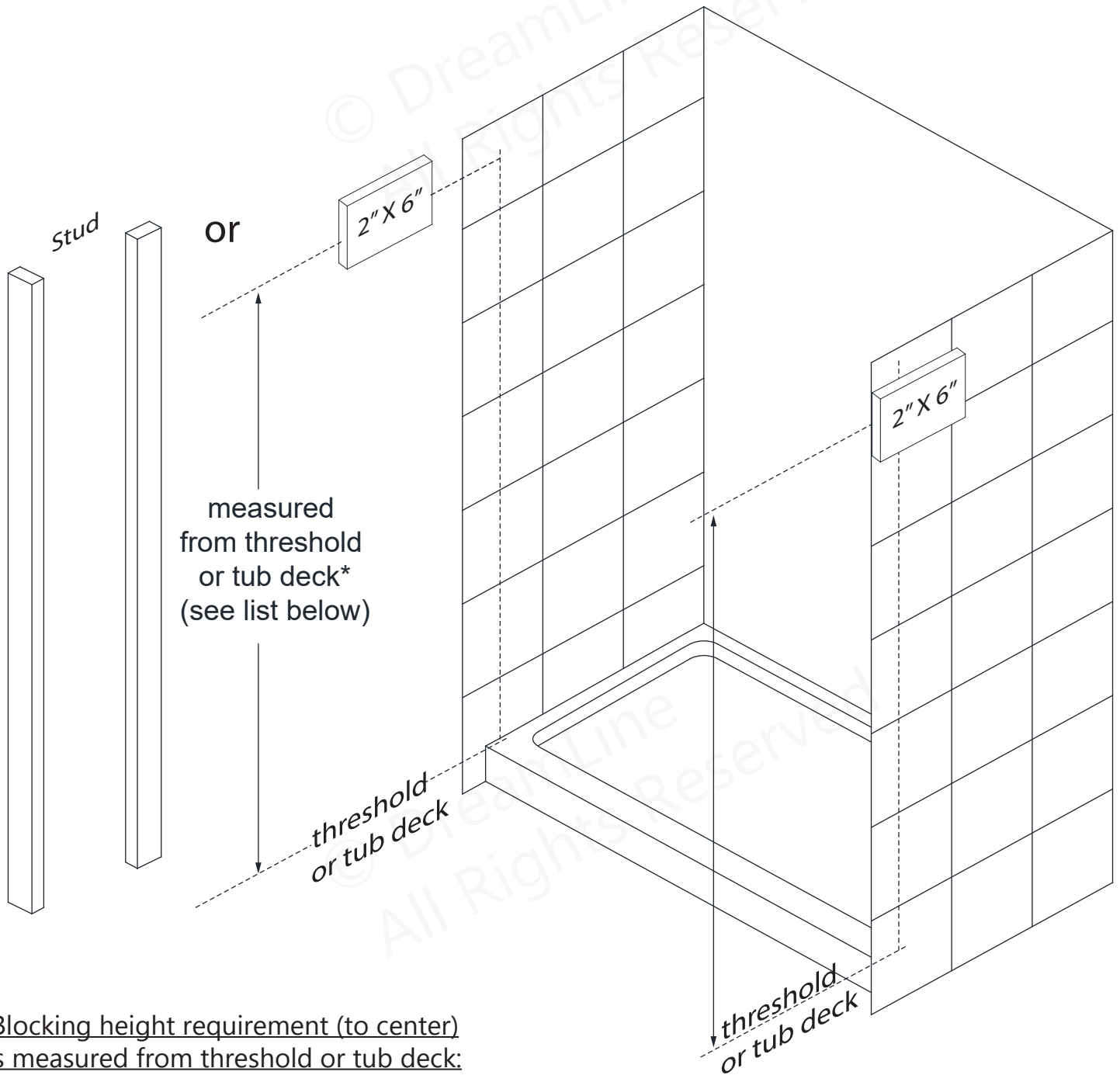
- Stopper set screws
- Roller guard bolts
- Wheel bolts
- Glass Bracket bolts



All vinyl gaskets and sleeves must be installed properly between all hardware and glass to prevent glass-to-metal contact

Reinforcement for Enigma Series Heavy Glass frameless sliding shower or tub door

Install studs OR install 2"x 6" wood blocking between the studs where the
Guide Rail Brackets will attach to the wall



*Blocking height requirement (to center)
as measured from threshold or tub deck:

Enigma Air, Enigma Sky = 73" for shower ht / 59" for tub ht

Enigma X, Enigma XO = 72-1/2" for shower ht / 58-1/2" for tub ht

Enigma Z = 73-1/2" for shower ht / 59-1/2" for tub ht

Enigma = 75-1/2" for shower ht only

Preparation

1. Prior to installation, examine all boxes and packages for shipping damage and compare the piece count with your packing slip. After opening all boxes and packages read this introduction carefully. Check that all of the needed parts are included in the package by checking off the components on the "Detailed Diagram of Shower Door Components". If the unit has been damaged, has a finishing defect, or has missing parts, please contact our customer support department within **3 business days** of the delivery date. **Please note that DreamLine® will not replace any damaged products or missing parts free of charge after 3 business days or if the product has been installed.** Contact DreamLine® if you have any questions, and please provide an order number, job name or other proof of purchase to help us identify your original order.
2. **Note that you should consult your local building codes with questions on installation compliance standards. Building and plumbing codes may vary by location, and DreamLine® is not responsible for code compliance standards for your project and will not accept any returns.**
3. If this unit is going to be installed in a new construction, please install all of the required plumbing and drainage before installing the shower. Use a competent and licensed (if required by local code) plumber for all plumbing installation
4. Prior to beginning the installation, the surfaces are leveled and solid and will be able to support the total weight of the unit. Also make sure the walls are at right angles. Irregular installation surface level, radius corners or improper angle of side walls will result in serious problems for your installation. Please, note that some adjustments and drilling might be necessary during the installation process.
5. Protect all primary surfaces of the product during installation. Never set your glass down directly onto a tile floor. Leave corner protectors in place until necessary to remove them. Always use a piece of wood or cardboard to protect the bottom edge and corners of the glass prior to and during installation.
6. **This unit must be installed upon a finished threshold and against finished walls.**
7. **The inline panel and the return panel for this model will allow for up to 1/4" of out-of-plumb adjustment within the U-Channel. Use a level to verify that finished wall conditions are within this tolerance before installation.**
8. **This model requires that you drill into the threshold for proper installation.**
9. This model requires a minimum **2-1/4"** of flat threshold space for installation.
10. **Installation of the Guide Rail brackets into a stud or 2 x 6 wood reinforcement is strongly recommended.**
11. **Professional installation required.**



NOTE: When constructing or installing a shower base, consider how **the thickness of the wall treatment (wallboard, tile, etc.) will affect where the shower enclosure will sit on the threshold.**

Compare the overall outside dimensions of the shower enclosure model size as shown on the "Shower Enclosure Plan" with the finished threshold before proceeding with the installation.

To prevent serious injury, do not lean against the installed glass.



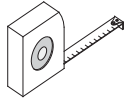
NOTE: DO NOT attach the handle to the door glass until instructed.

DO NOT use the handle to lift the glass during installation. This may result in damage to the glass and/or serious injury. Always use an assistant and/or a professional grade glass suction cup when handling heavy glass panels.

Tools Required



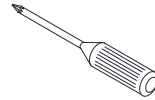
Level



Tape Measure



Pencil



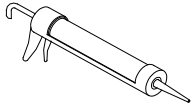
Phillips Screwdriver



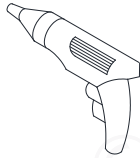
Drill bit (Ø=5/16")



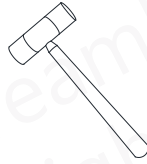
Drill bit (Ø=1/8")



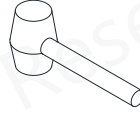
Silicone



Power Drill



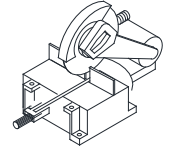
Soft Head Hammer



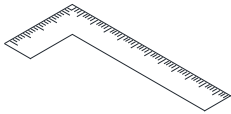
Mallet



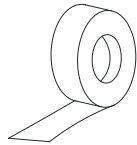
Wood



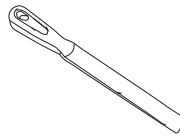
Chop saw and Hacksaw



Carpenter's Square



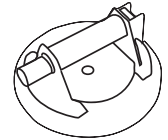
Painter's Tape



Metal File



Extender driver bit



Professional-grade Glass suction cup



Tip: Measure the finished opening before proceeding with the installation to be sure that the correct model size has been ordered.

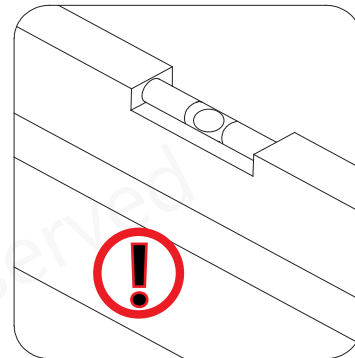


Tip: Prior to installation, cover the shower/tub drain with tape to prevent losing screws or small parts.



Tip: Set screw gun clutch to low setting when installing screws and bolts to prevent stripping the heads.

Threshold must be level.

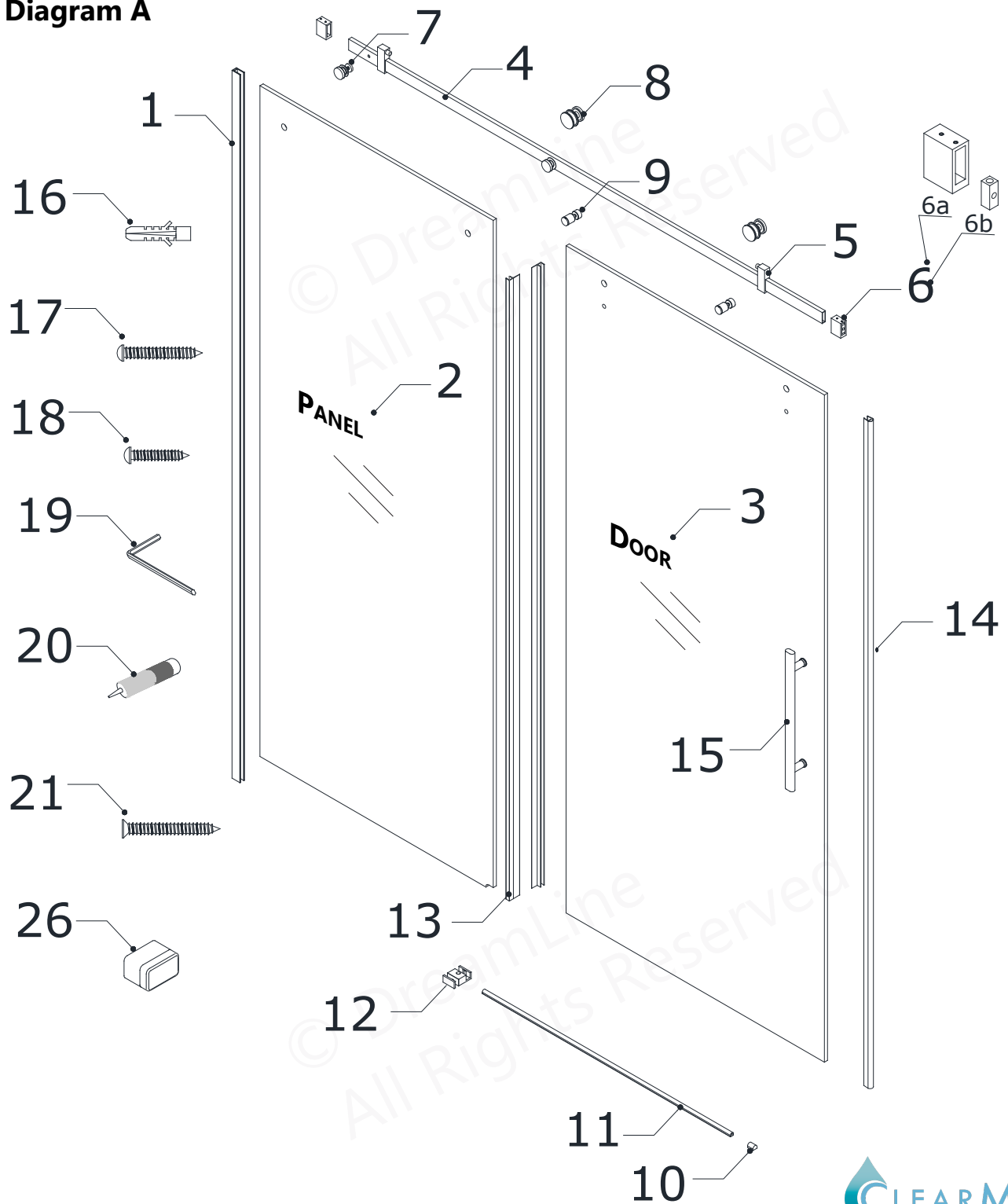


NOTE: Unpack your unit carefully and inspect it. Lay it out and identify all parts using the detailed diagram and packing list in this manual as a reference. Before discarding the carton, check for small hardware bags that may have fallen to the bottom of the box. If any parts are damaged or missing, please contact DreamLine® for replacement. The shipping boxes may contain extra parts not used in your model configuration.

NOTE: Retain these installation instructions for future reference.

Detailed Diagram of Shower Door Components

Diagram A



The glass surface with the ClearMax™ label must be installed facing the inside of the shower

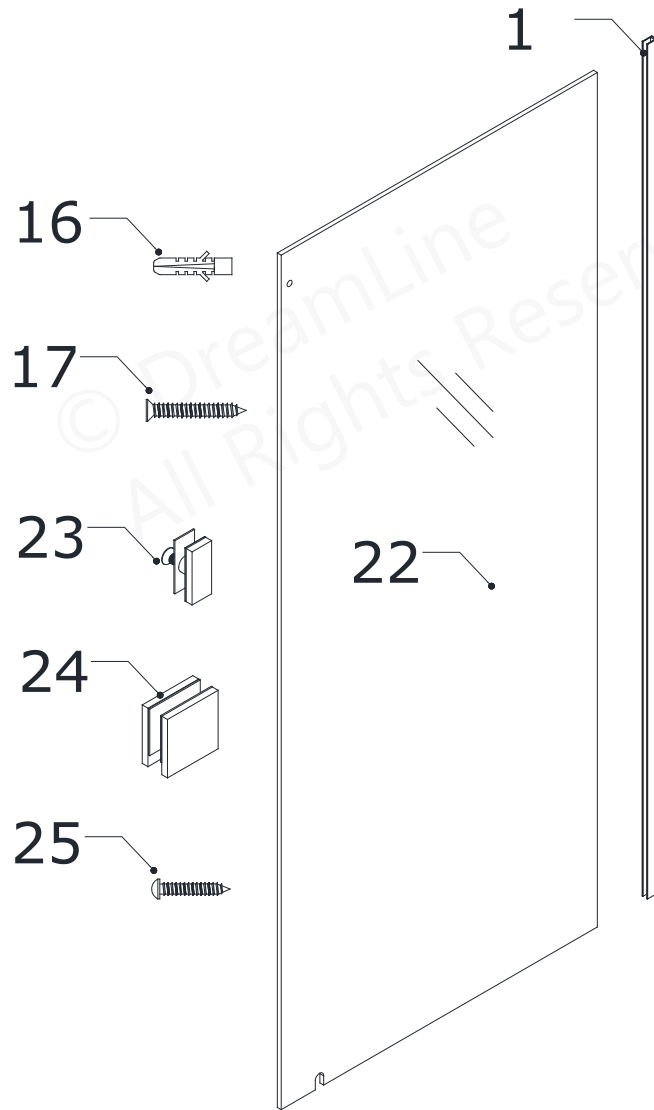
Detailed Diagram of Shower Door Components

Parts List-A

| ITEM # | DESCRIPTION | QTY |
|--------|--|------|
| 01 | U-Channel | 1pc |
| 02 | Stationary glass (for 48" 54" or 60") | 1pc |
| 03 | Door glass (for 48" 54" or 60") | 1pc |
| 04 | Guide Rail (for 48" 54" or 60") | 1pc |
| 05 | Stopper | 2pcs |
| 06 | Guide Rail Bracket (6a&6b) | 2pcs |
| 07 | Glass Bracket | 2pcs |
| 08 | Roller | 2pcs |
| 09 | Roller Guard | 2pcs |
| 10 | Threshold End Cap | 1pc |
| 11 | Anti-splash Threshold (for 48" 54" or 60") | 1pc |
| 12 | Guide Block | 1pc |
| 13 | Anti-water side strip | 2pcs |
| 14 | Bumper strip | 1pc |
| 15 | Handle | 1set |
| 16 | 5/16" plastic wall anchor | 7pcs |
| 17 | ST4.0 x 40 Pan Head Screw | 4pcs |
| 18 | ST4.0 x 25 Pan Head Screw | 1pc |
| 19 | Allen wrench (4mm) | 1pc |
| 20 | Thread Lock Adhesive | 1pc |
| 21 | ST4.2 x 55 Countersunk Screw | 2pcs |
| 26 | SafeStop™ Bumper | 1pc |

Detailed Diagram of Return Panel Components

Diagram B



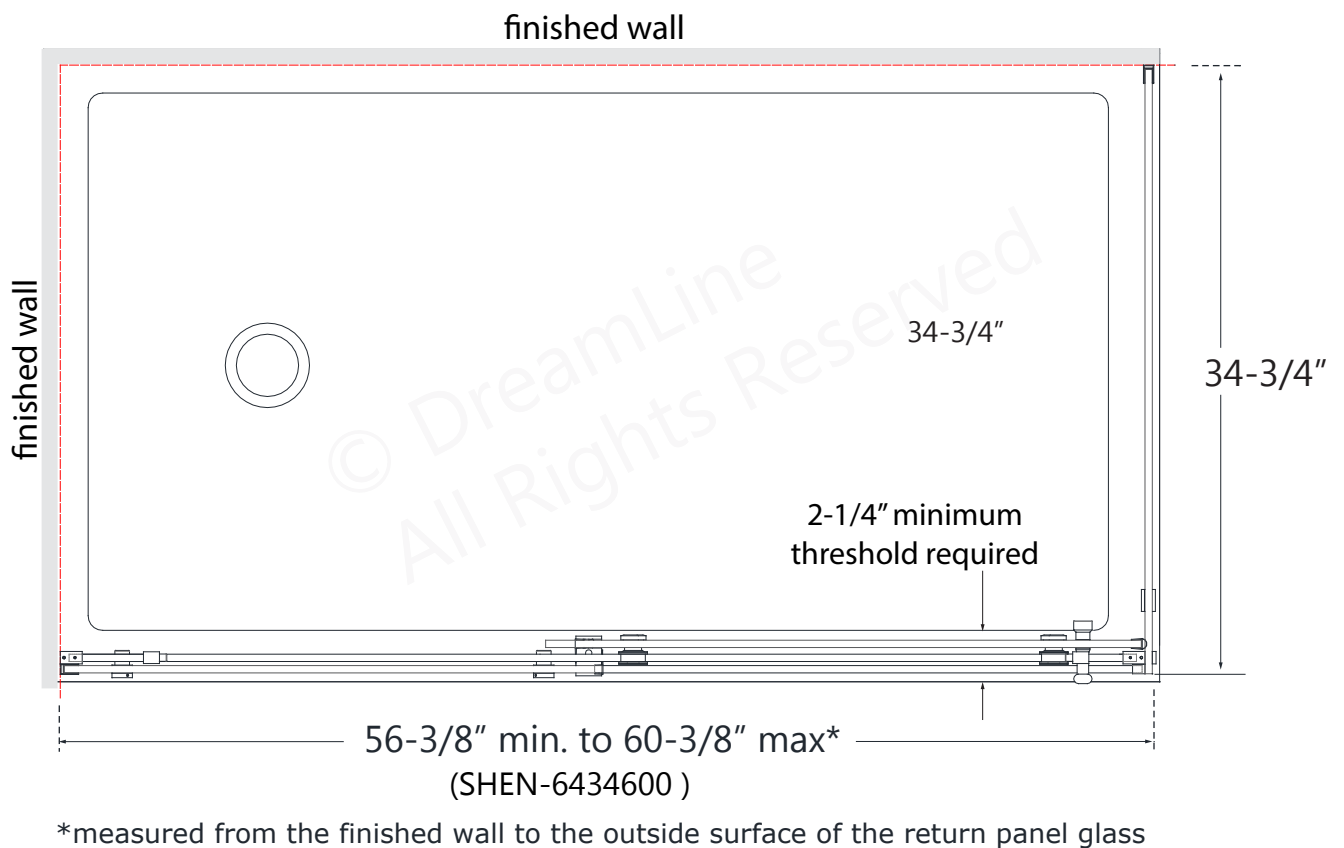
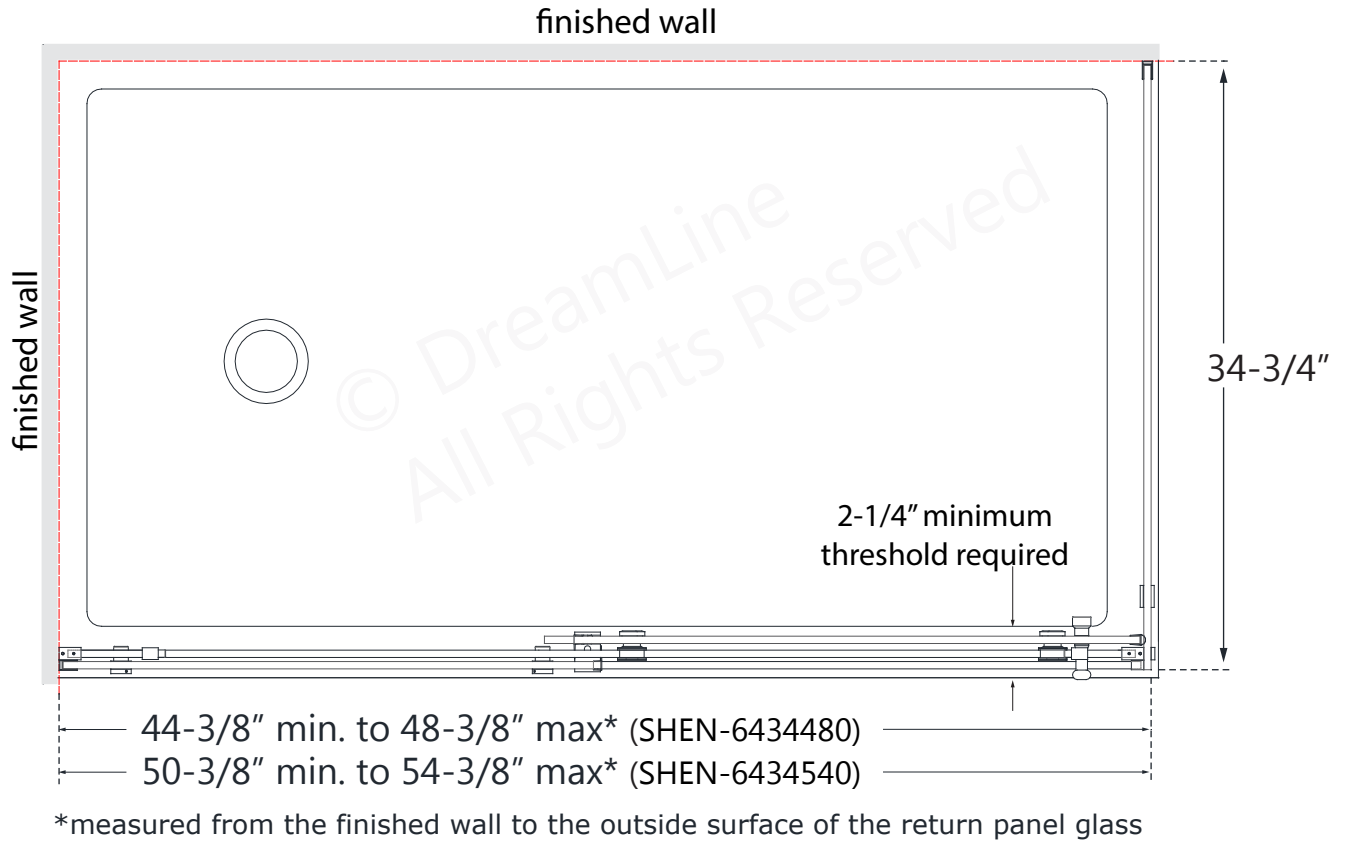
CLEARMAX™
 The glass surface
 with the ClearMax™
 label must be
 installed facing the
 inside of the shower

Parts List-B

| ITEM # | DESCRIPTION | QTY |
|--------|-----------------------------|------|
| 01 | U-Channel | 1pc |
| 16 | Ø5/16" Wall Anchor | 5pcs |
| 17 | ST4.2 x 40 Pan Head Screw | 4pcs |
| 22 | Return Panel Glass | 1pc |
| 23 | Stationary Glass Connector | 1pc |
| 24 | Glass Bracket | 1pc |
| 25 | ST4.2 x 55 Truss Head Screw | 1pc |

SHOWER ENCLOSURE PLAN

Overall outside dimensions of the installed enclosure



Right-hand return panel installation is shown as an example throughout this manual

Installation steps

1. Check both of the finished walls for plumb and the threshold for level. Confirm that the threshold meets the **minimum threshold requirement of 2-1/4"** for this unit. Compare the overall (outside) dimensions of the enclosure against the threshold to ensure it will fit prior to beginning installation. (Fig 1)



NOTE: This model will allow for up to 1/4" of out-of-plumb adjustment within the u-channels for the inline panel and return panel

NOTE: This model requires a minimum 2-1/4" of flat threshold space for installation.

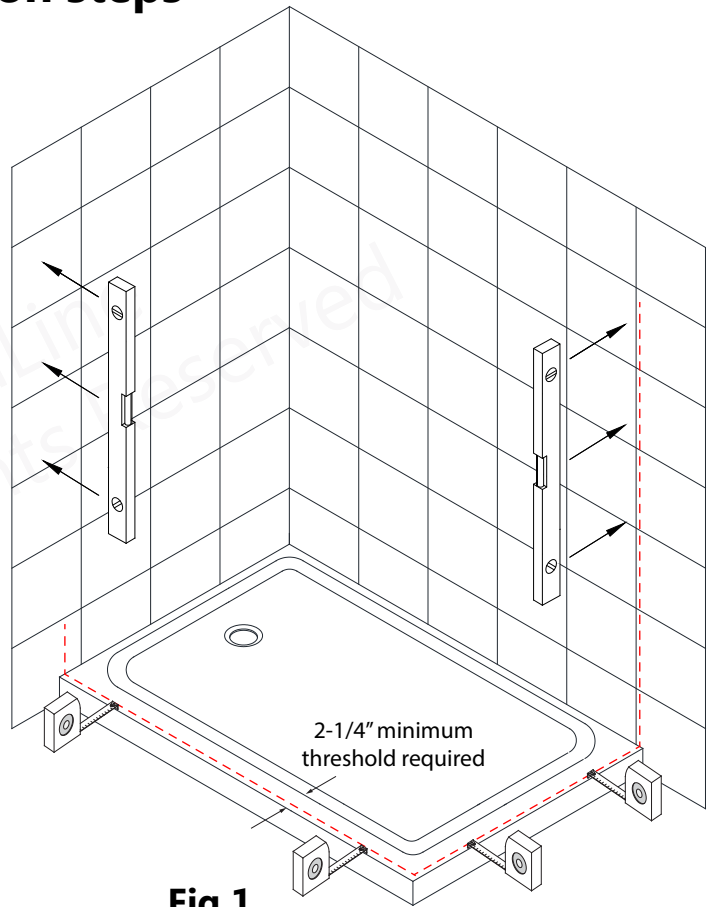
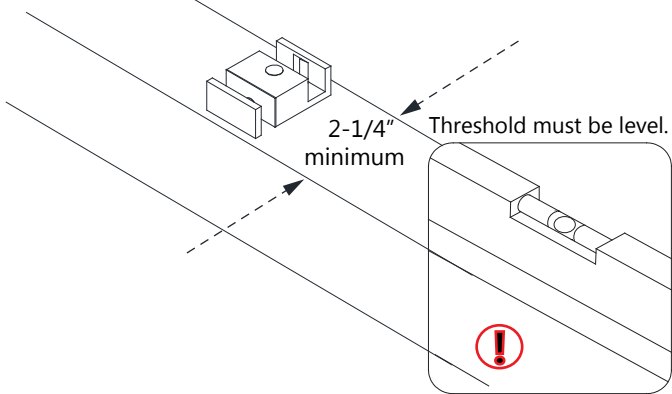


Fig 1

2. Measure the **W2** dimension from the finished corner of the opening over to the return panel threshold. (based on the model size as shown on the "Shower Enclosure Plan" Page 11)

Next, measure the **W1** dimension of **34-3/4"** out from the wall as the width of the return panel. These will be the outside dimensions of the installed enclosure.

Use a carpenter's square and a straight edge as a guide and extend this line across the primary threshold to the opposite wall to use for reference in **Step #14** during the installation of the U-Channel for the inline panel glass. (Fig 2)

- W1 = 34-3/4"**
- W2 = between 44-3/8" min > 48-3/8" max**
OR
- W2 = between 50-3/8" min to 54-3/8" max**
OR
- W2 = between 56-3/8" min to 60-3/8" max**

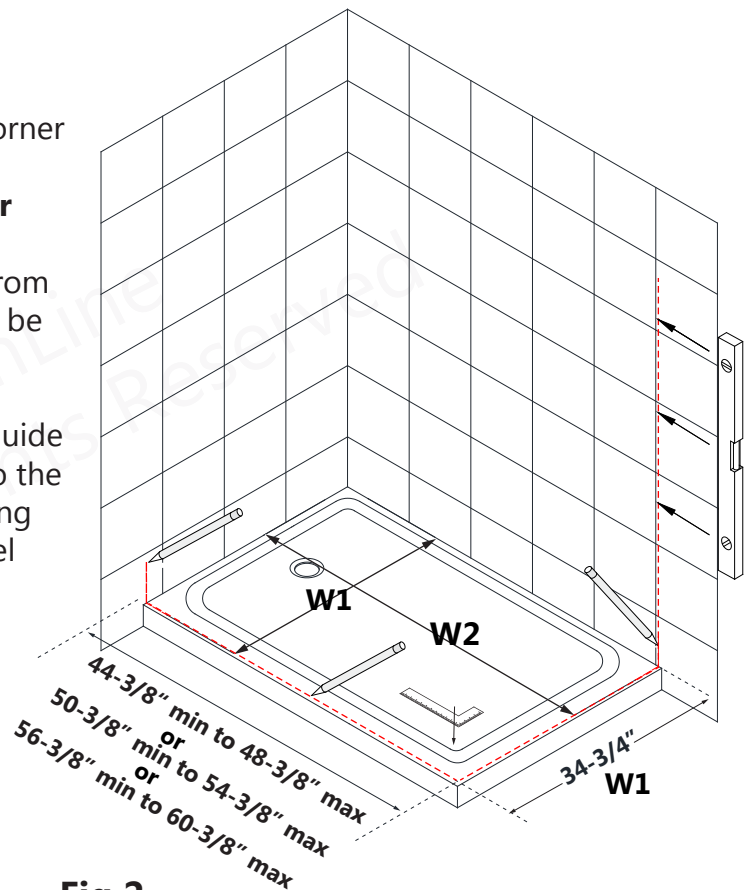


Fig 2

Outside dimensions of the installed enclosure

3. Align the outside edge of the **U-Channel (#01)** with the inside of the mark from the previous step on the return panel side of the unit. Level the **U-Channel (#01)** vertically (plumb), mark the position of the **U-Channel (#01)** on the wall, and mark the four holes for drilling through the pre-drilled holes in the U-Channel. The placement of this U-Channel must create an opening that is within the model dimensions of the door section, depending on the model size: **<48" (SHEN-6434480)** or **<54" (SHEN-6434540)** or **<60" (SHEN-6434600)**

See the **"Shower Enclosure Plan"** on **Page 11** for overall dimensions. **(Fig 3)**

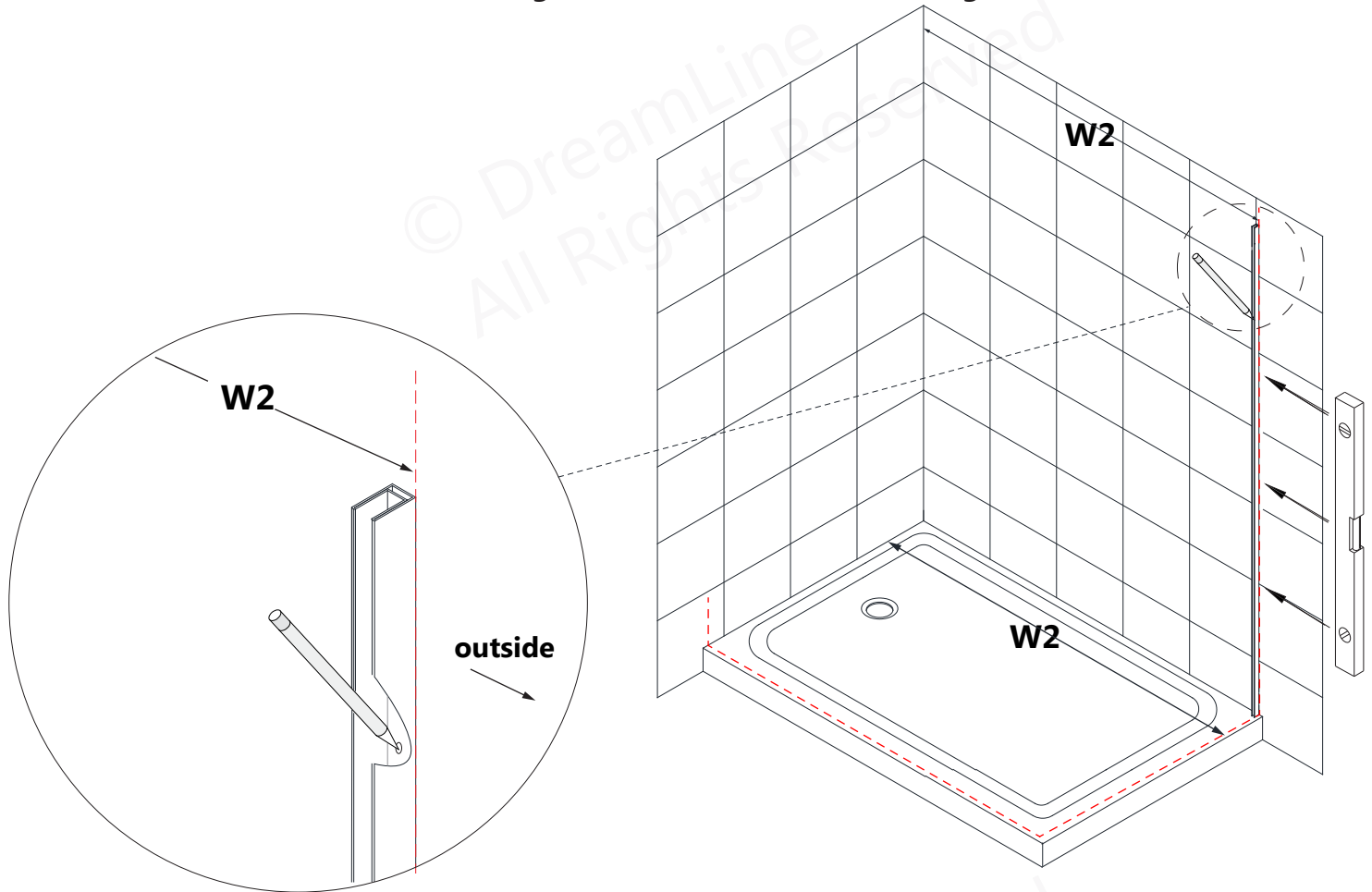


Fig 3

4. Set the **U-Channel (#01)** aside and drill the holes in the wall using a **Ø5/16"** drill bit and insert the **Ø5/16" Plastic Wall Anchors (#16)** into the holes. Apply silicone into the screw holes and to the back surface of the U-channel. Attach the **U-Channel (#01)** to the wall using the **ST4.0×40 Pan Head Screws (#17)**. **(Fig 4)**

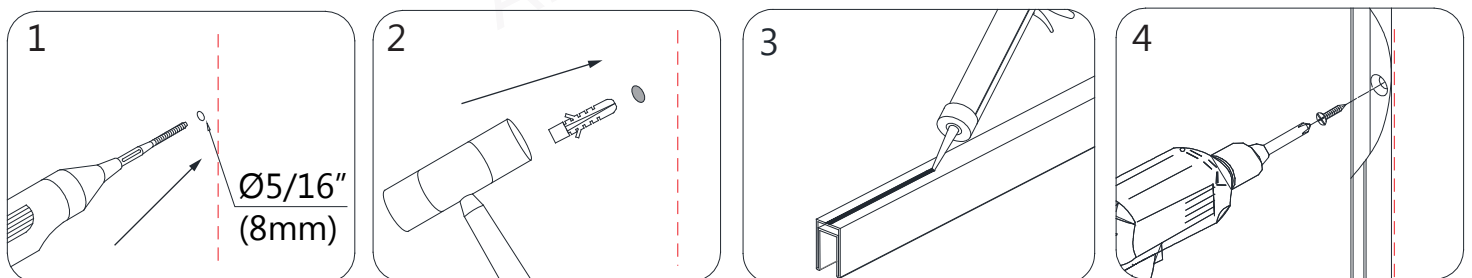


Fig 4

5. Attach the **Stationary Glass Connector (#23)** through the hole at the top of the **Return Panel Glass (#22)**. Attach the **Glass Bracket (#24)** to the bottom of the **Return Panel Glass (#22)**. Use the supplied gaskets to prevent glass to metal contact. **(Fig 5)**

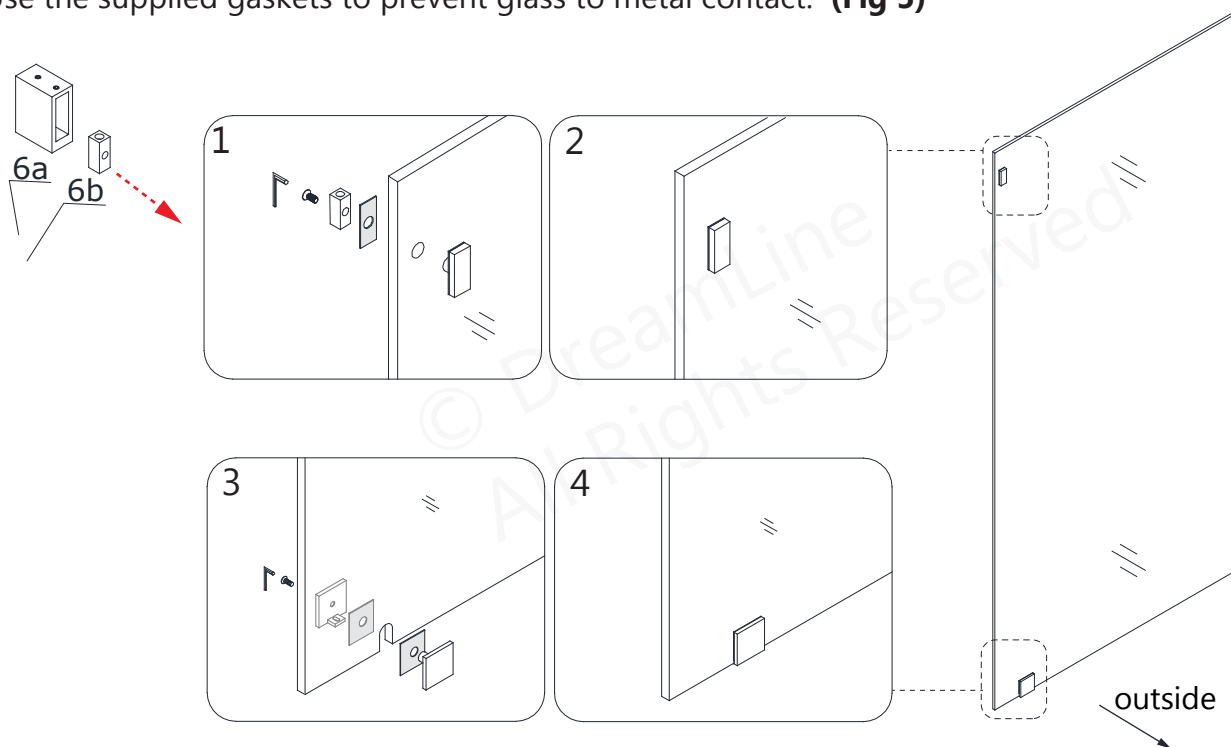


Fig 5

6. Place the **Return Panel Glass (#22)** onto the threshold. Slide the **Return Panel Glass (#22)** into the **U-Channel (#01)** and level it vertically (plumb). Make sure the **Return Panel Glass (#22)** is aligned with the threshold. **(Fig 6)**



Use Caution not to bang the glass into the U-Channel or threshold.

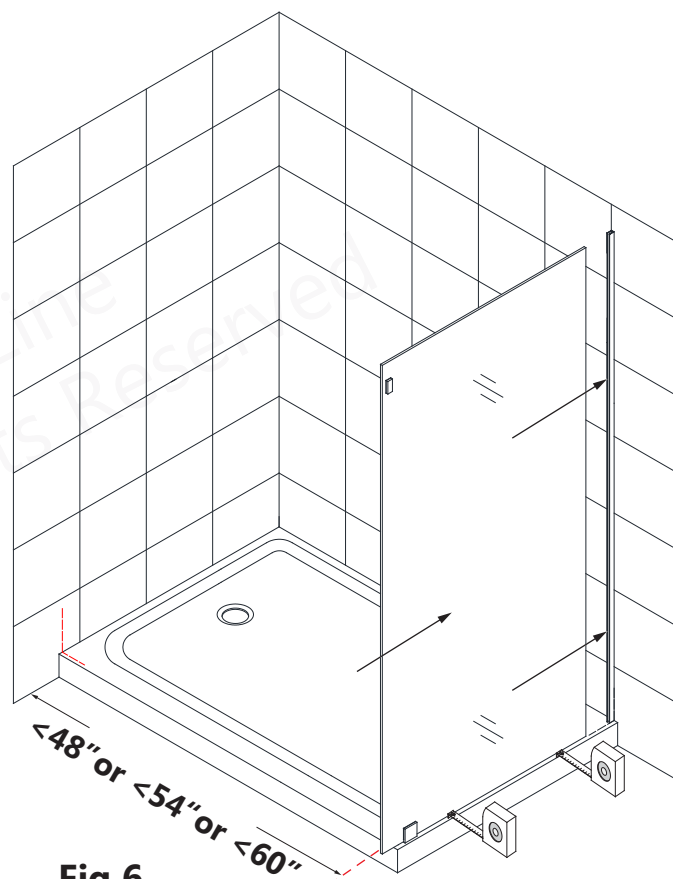


Fig 6

7. Outline the position of the **Glass Bracket (#24)** on the threshold. **(Fig 7)**

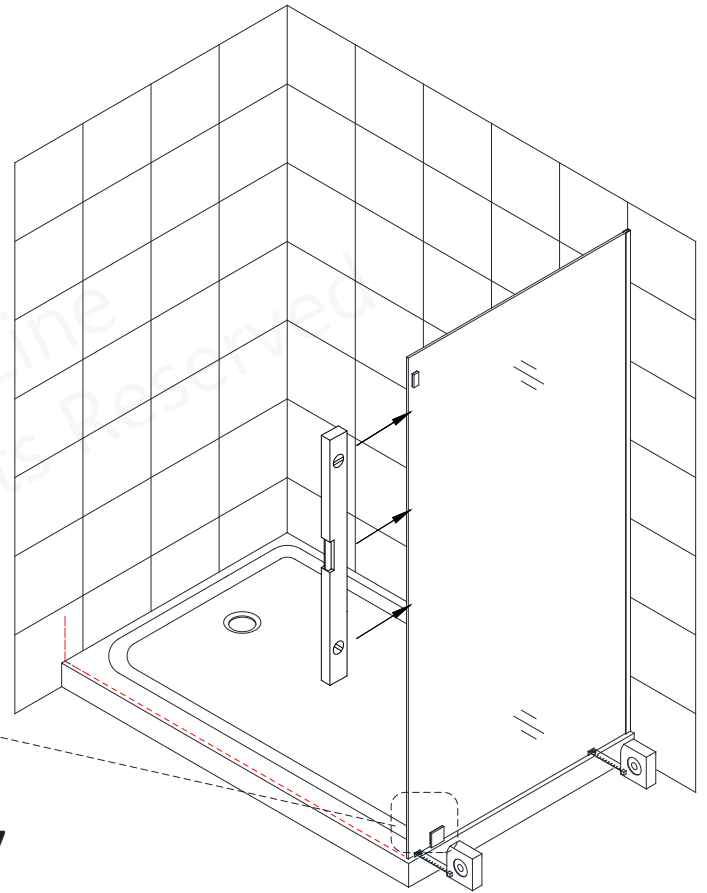
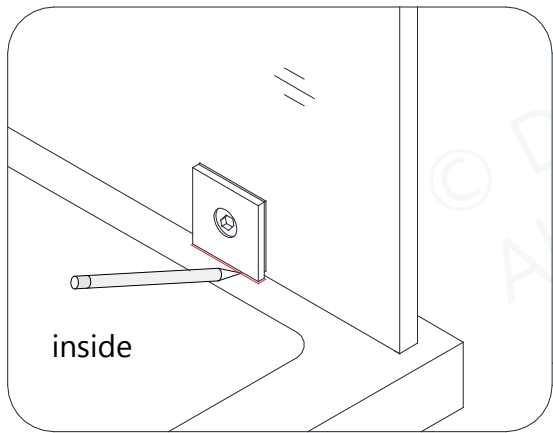


Fig 7

8. Carefully slide the **Return Panel Glass (#22)** out of the **U-Channel (#01)** and set it aside. Remove the **Glass Bracket (#24)** from the **Return Panel Glass (#22)**. **(Fig 8 and Fig 9)**

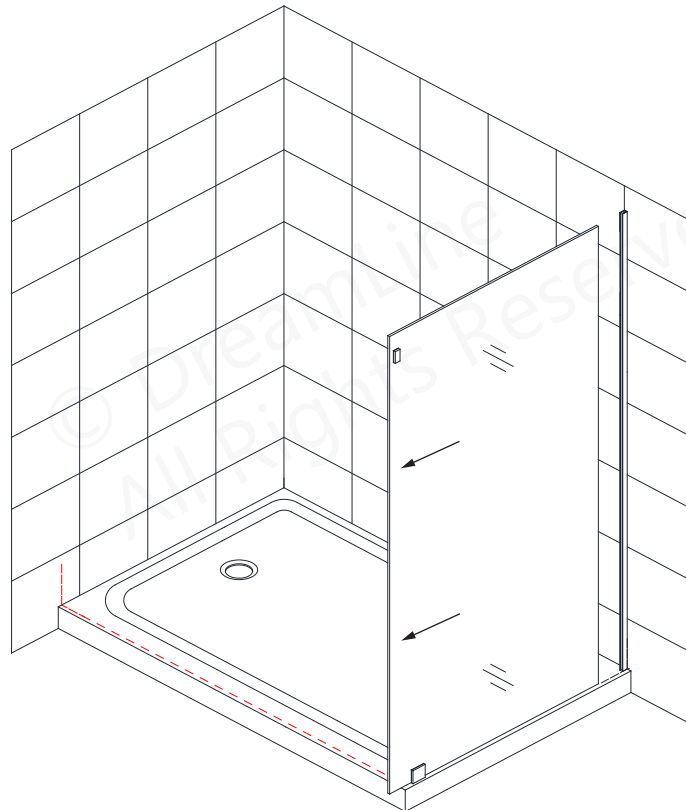


Fig 8

9. Replace the **Glass Bracket (#24)** base back on its marked position (Fig 9.2) and then mark the hole for drilling on the threshold.

***NOTE:**

▪ **For installation into an Acrylic threshold:**

▫ drill an $\text{Ø}1/8''$ (3mm) hole and use the **ST4.0 x 25 Pan Head Screw (#18)**

OR

▪ **For installation into a Tile threshold:****

▫ drill a $\text{Ø}3/16''$ (4mm) hole up to the stud and attach the **Glass Bracket (#24)** to the threshold using the **ST4.2 x 55 Countersunk Screw (#25)**. (Fig 9)

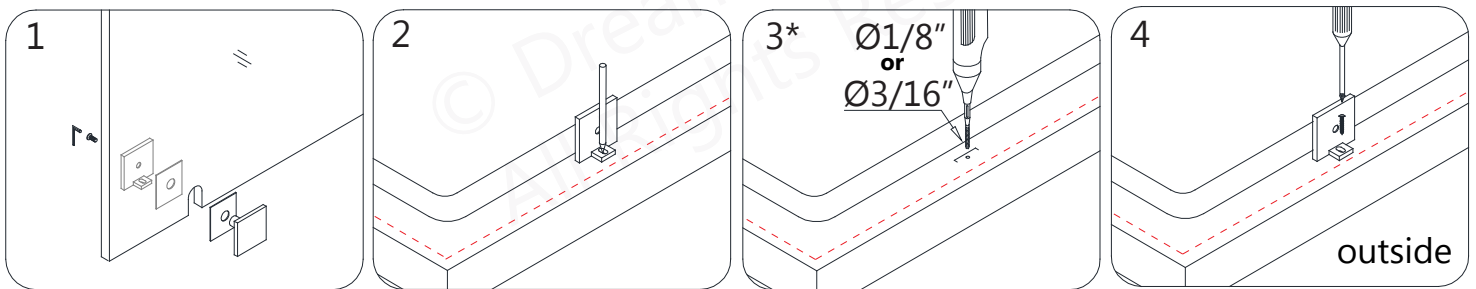


Fig 9

10. Apply a good quality mildew-resistant silicone to the inside of the **U-Channel (#01)**. (Fig 10)

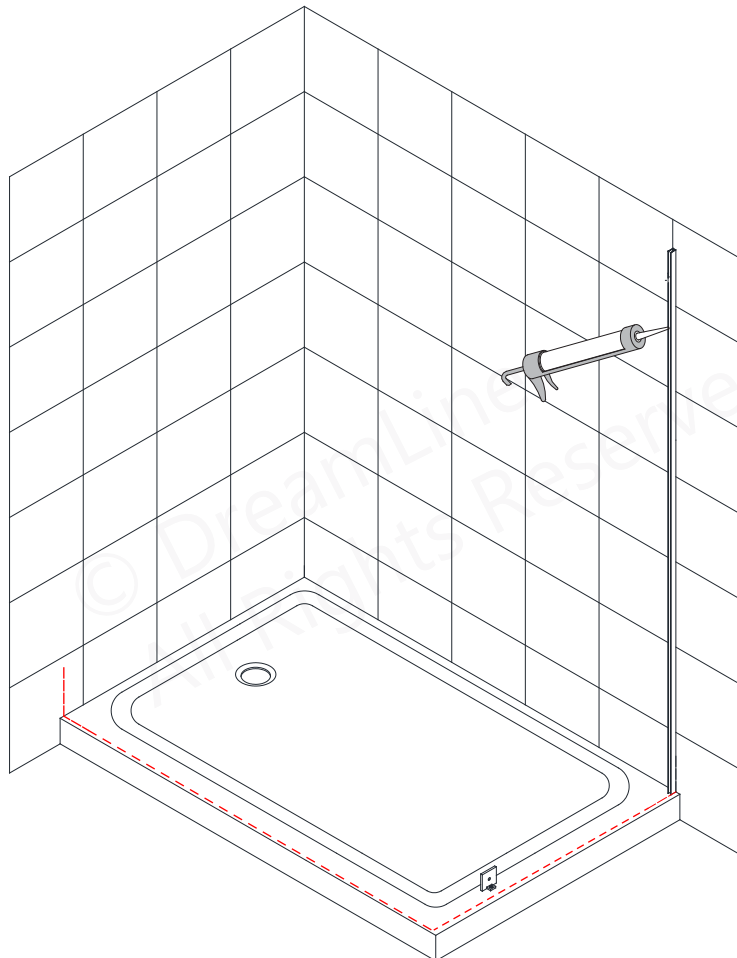
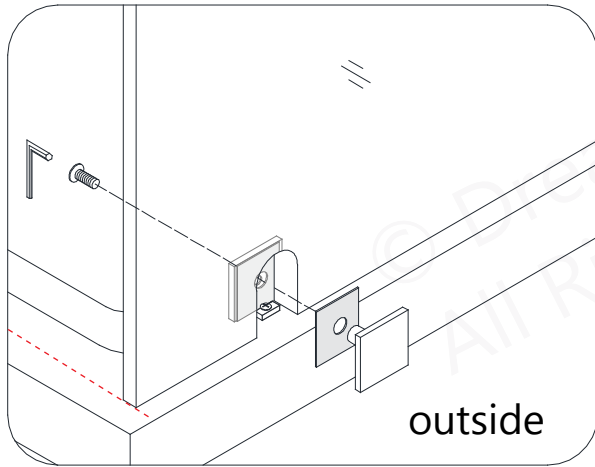


Fig 10

11. Place the **Return Panel Glass (#22)** back into the **U-Channel (#01)** and assemble the **Glass Bracket (#24)** to secure the **Return Panel Glass (#22)**. (**Fig 11**)



Use the supplied gaskets to prevent glass to metal contact

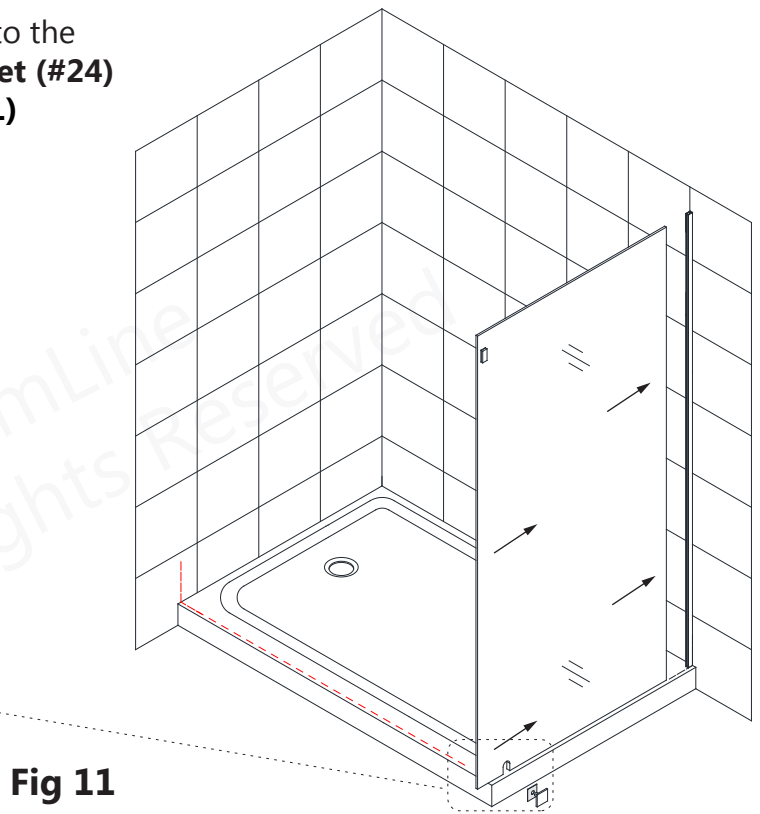


Fig 11

12. Measure the distance from the finished wall to the inside surface of the installed **Return Panel Glass (#22)** (measure to the surface of the glass, **not** to the surface of the installed bracket).

This distance will represent the finished opening size (**W**) that will be used to calculate the finished cut dimension for the **Guide Rail (#04)** in the next step. (**Fig 12**)

- Measure the width (**W**) at a height of 72-1/4"

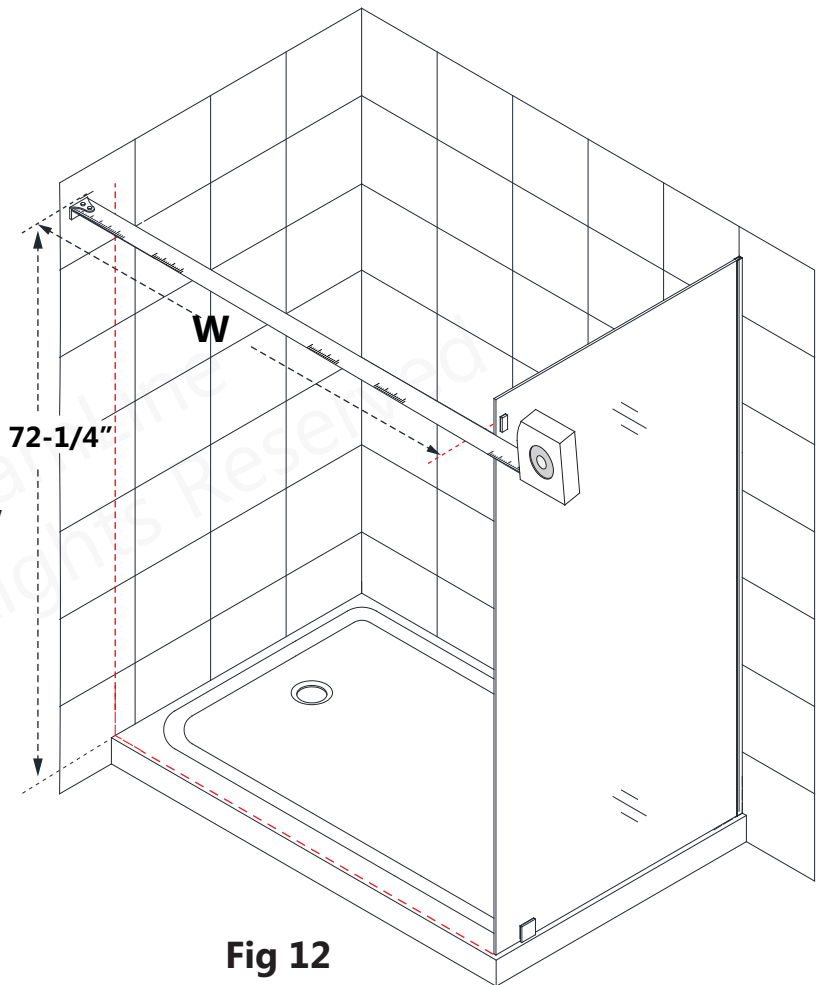
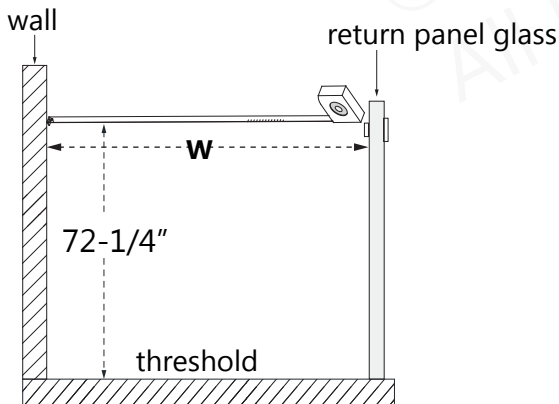
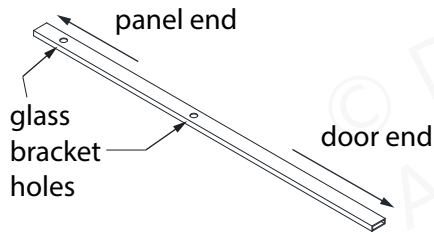


Fig 12

13. Use a Chop Saw with a blade for cutting stainless steel to cut the **Guide Rail (#04)** to fit the finished opening.

The **Guide Rail (#04)** is 1" less than the model size, and will need to be **cut to 1" less than the finished opening size (W)**. (Fig 13)

Finished opening (W) - 1" = finished cut length



Finished opening (W) - 1" = finished cut length

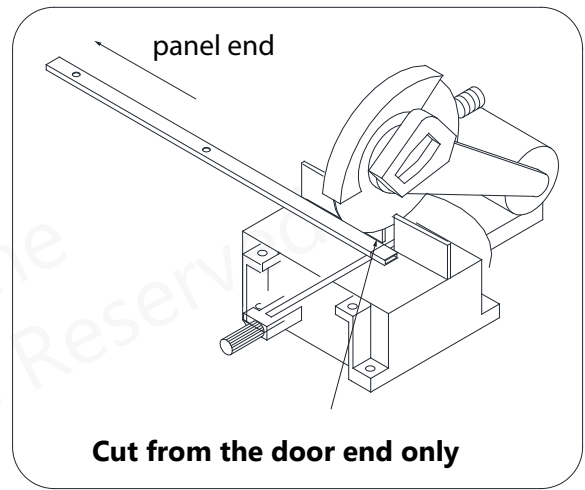
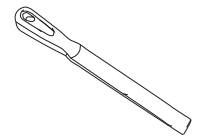


Fig 13



Cut the **Guide Rail (#04)** from the **door end only** which is the end opposite from the glass bracket holes.

TIP: Use a metal file to remove any burrs from the cut end of the **Guide Rail (#04)**.



Metal File

14. Align the outside edge of the **U-Channel (#01)** to the inside of the mark on the threshold **from Step #2**. Level the **U-Channel (#01)** vertically (plumb), mark the position of the **U-Channel (#01)** on the wall, and mark the four holes for drilling. (Fig 14)

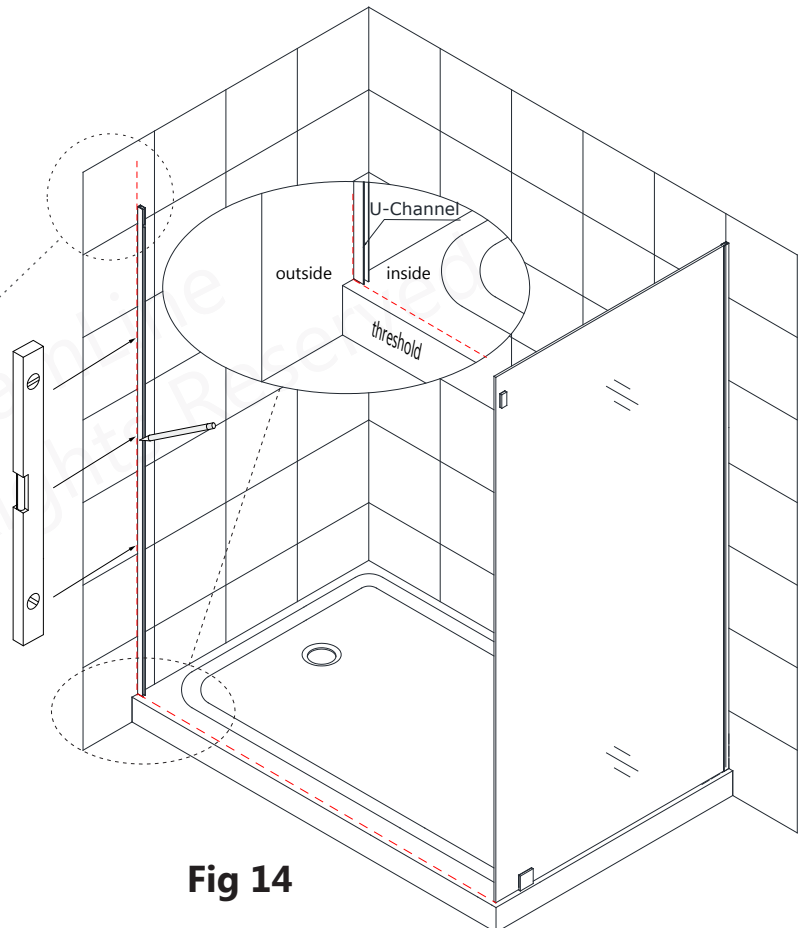
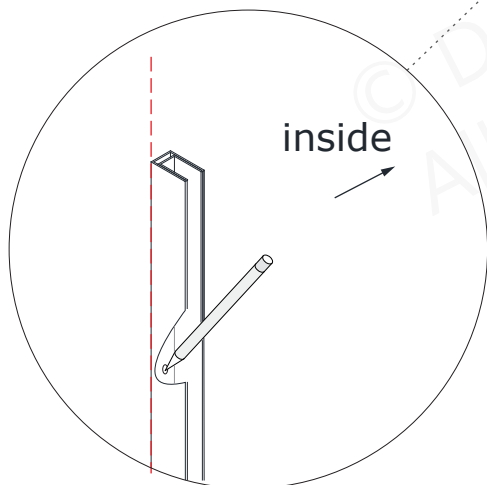


Fig 14

15. Remove the U-Channel and drill the holes in the wall using a $\text{Ø}5/16''$ drill bit and insert the $\text{Ø}5/16''$ **Wall Anchors (#16)** into the holes. Apply silicone into the screw holes and to the back surface of the U-Channel. Attach the **U-Channel (#01)** to the wall using the **ST4.0×40 Pan Head Screws (#17)**. (Fig 15)

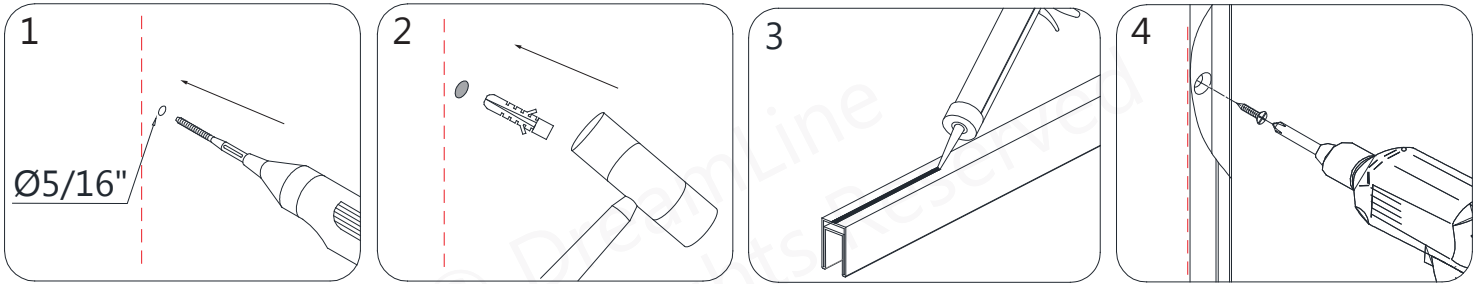


Fig 15

16. From inside the shower, measure up $72\text{-}1/4''$ from the threshold and make a mark on the wall to the inside of the **U-Channel (#01)**. This will indicate the bottom position of the **Guide Rail Bracket (#06)**. (Fig 16)

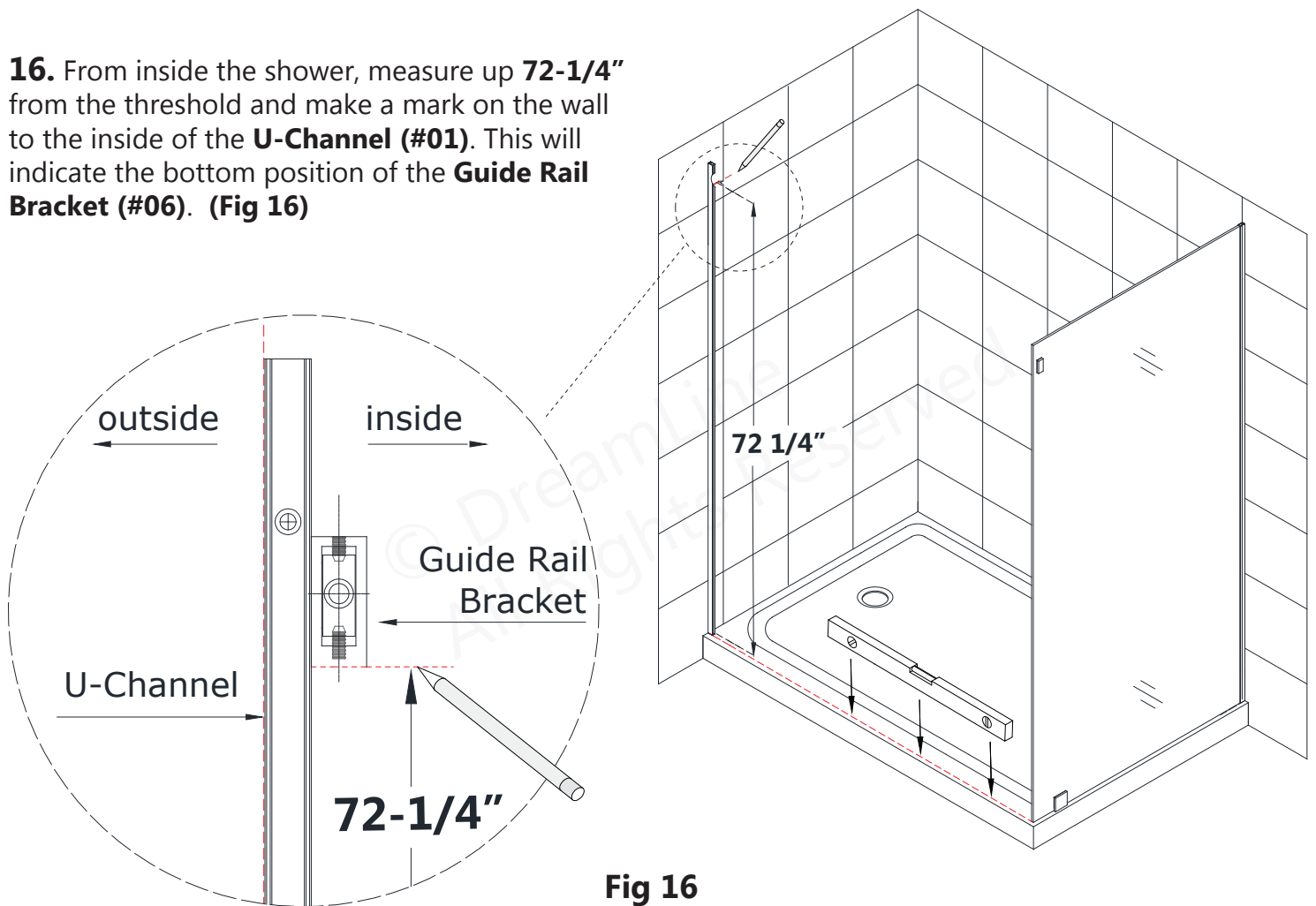
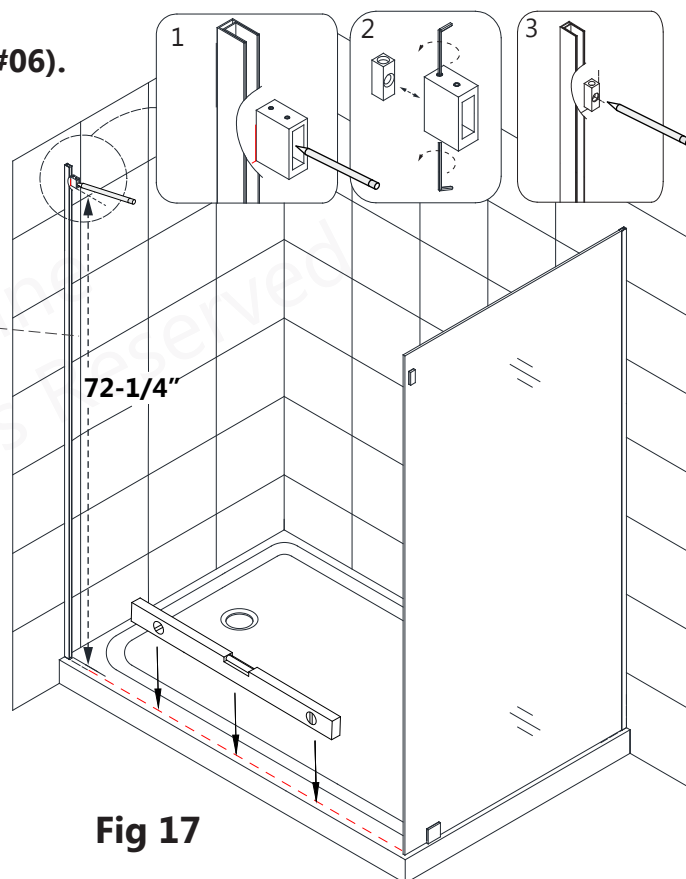
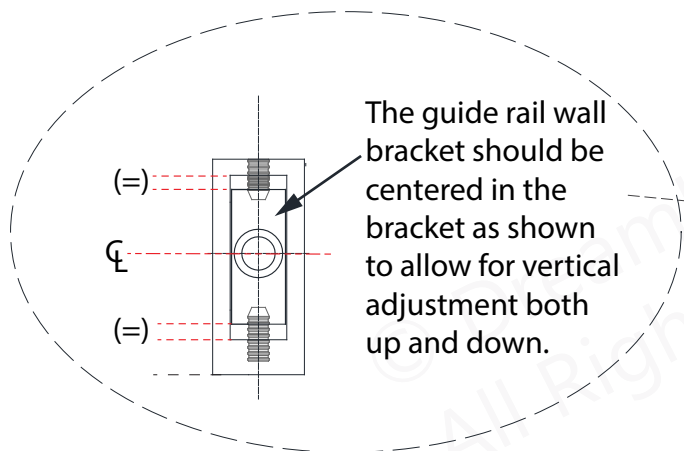


Fig 16

17. Hold the **Guide Rail Bracket (#06)** in the marked position and use a center punch or small pencil to mark the wall through the hole for drilling in the **Guide Rail Bracket (#06)**.
(Fig 17)



Note that the bottom of the bracket is thicker than the top and must be installed correctly

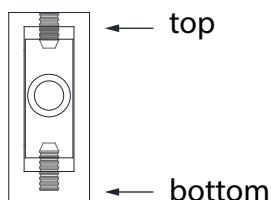


Fig 17

18. **Drill a $\text{Ø}5/16''$ anchor hole and insert a $\text{Ø}5/16''$ Wall Anchor (#16). Separate the **Guide Rail Bracket (#06)** components (6a and 6b). Install the **Guide Rail Wall Bracket (#06b)** to the wall using one **ST4.2 x 55 Countersunk Screw (#21)**. **(Fig 18)**

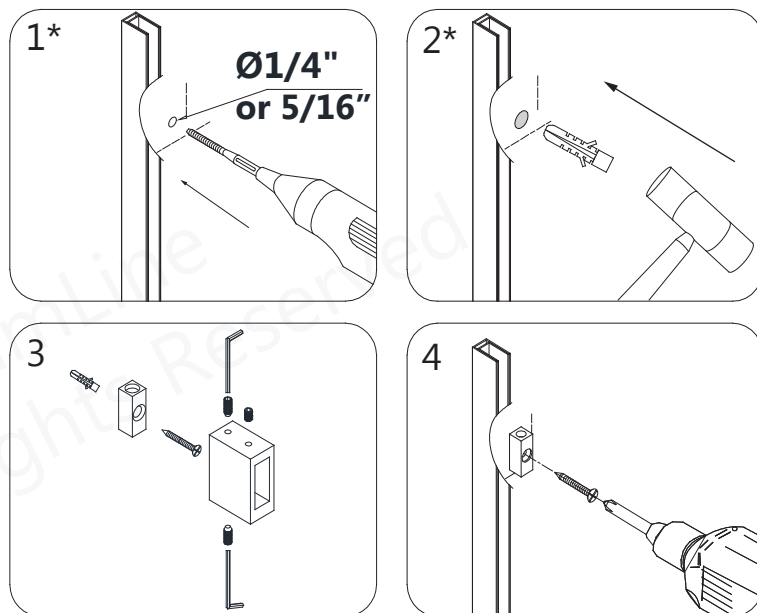
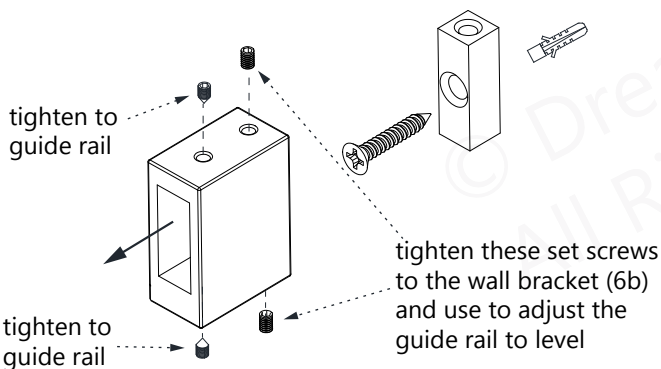


Fig 18



***NOTE: Installation of the Guide Rail bracket into a stud or 2" x 6" wood reinforcement is strongly recommended.**

****NOTE: When installing to a stud, drill a $\text{Ø}1/4''$ hole up to the wood and do not use a wall anchor.**

19. Insert the **Stationary Glass (#02)** into the installed **U-Channel (#01)**. (**Fig 19**)



Use Caution not to bang the glass into the U-Channel or threshold.

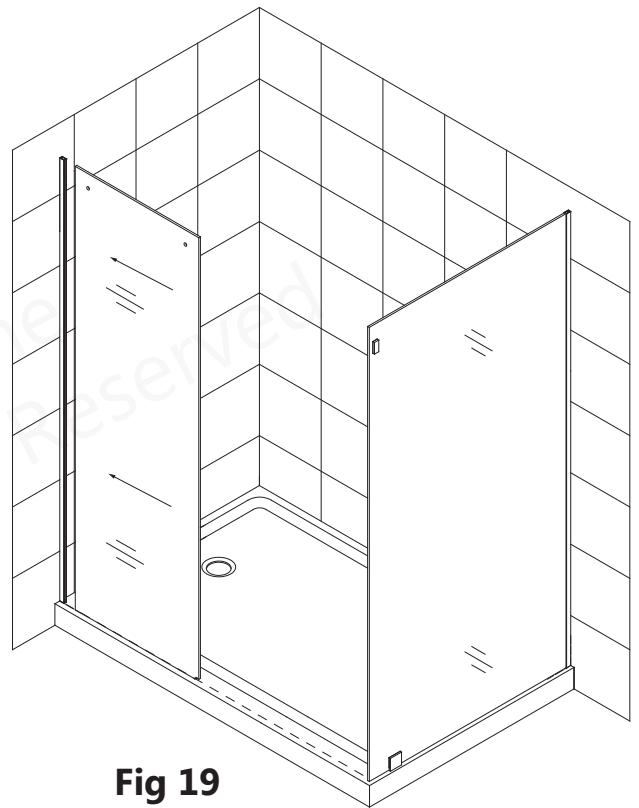


Fig 19

20. Make sure the **Stationary Glass (#02)** is parallel to the front edge of the threshold and mark a reference line onto the threshold.

Slide the **Guide Block (#12)** into the notch of the **Stationary Glass (#02)**. Make sure that it aligns square with the glass and flush with the edge of the glass. Mark its position on the threshold and also mark the hole for drilling using a pencil (or center punch). The rubber gaskets must be in place to prevent contact with the glass. (**Fig 20**)

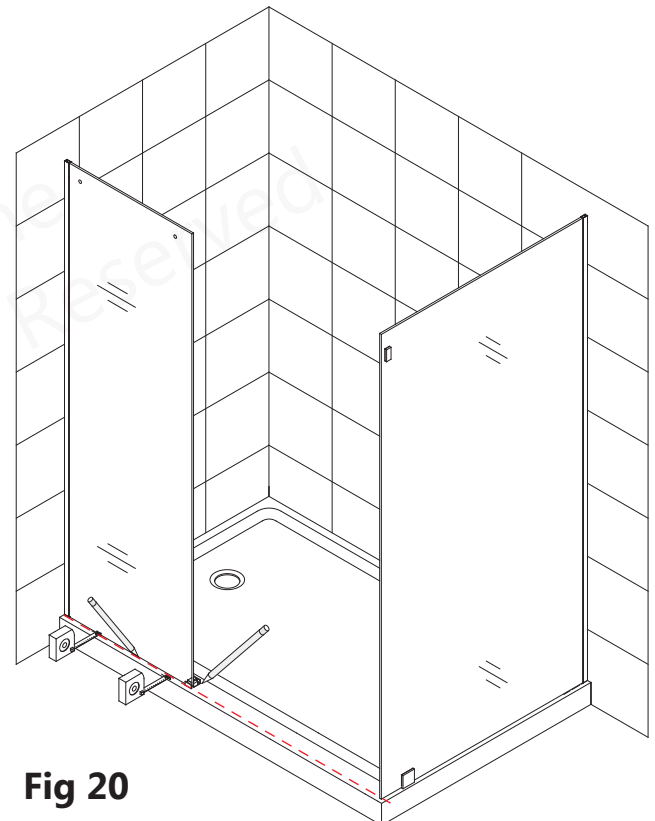
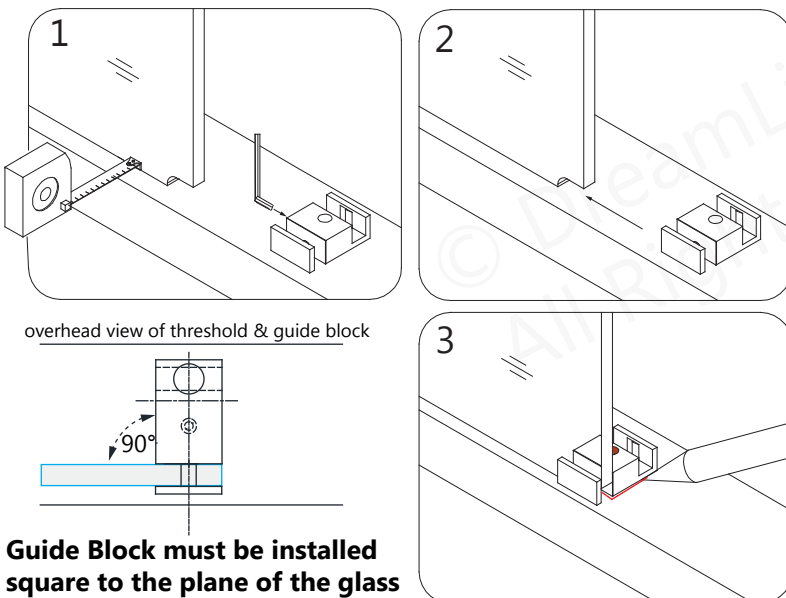


Fig 20

21. After marking the position of the **Guide Block (#12)**, remove it along with the **Stationary Glass (#02)** from the **U-Channel (#01)** and carefully set it aside. (Fig 21)

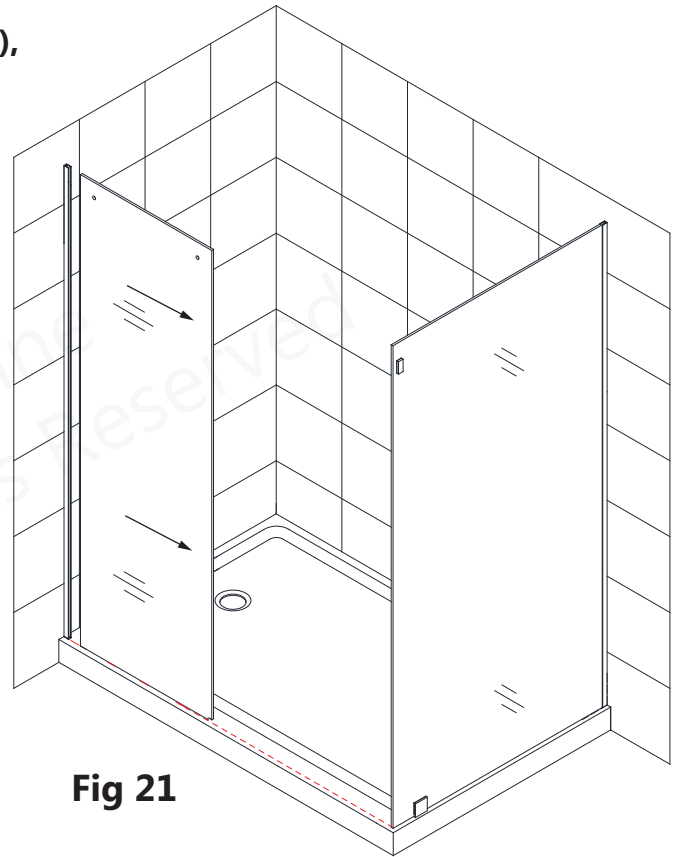


Fig 21

22. To install the **Guide Block (#12)**: loosen the set screw on the side and remove the **Guide block face plate (Fig. 22.1)**. Apply silicone to the underside of the **Guide Block (#12)** and screw the **Guide Block (#12)** to the threshold as described below:

***NOTE:**

▪ For installation into an **Acrylic threshold:**

▫ drill an **Ø1/8" (3mm)** hole and use the **ST4.0 x 25 Pan Head Screw (#18)**

OR

▪ For installation into a **Tile threshold:**

▫ drill a **Ø3/16" (4mm)** hole up to the stud and use the **ST4.0 x 40 Pan Head Screw (#17)**.

(Fig 22)



Note: The **Guide Block (#12)** must be screwed down to the threshold.

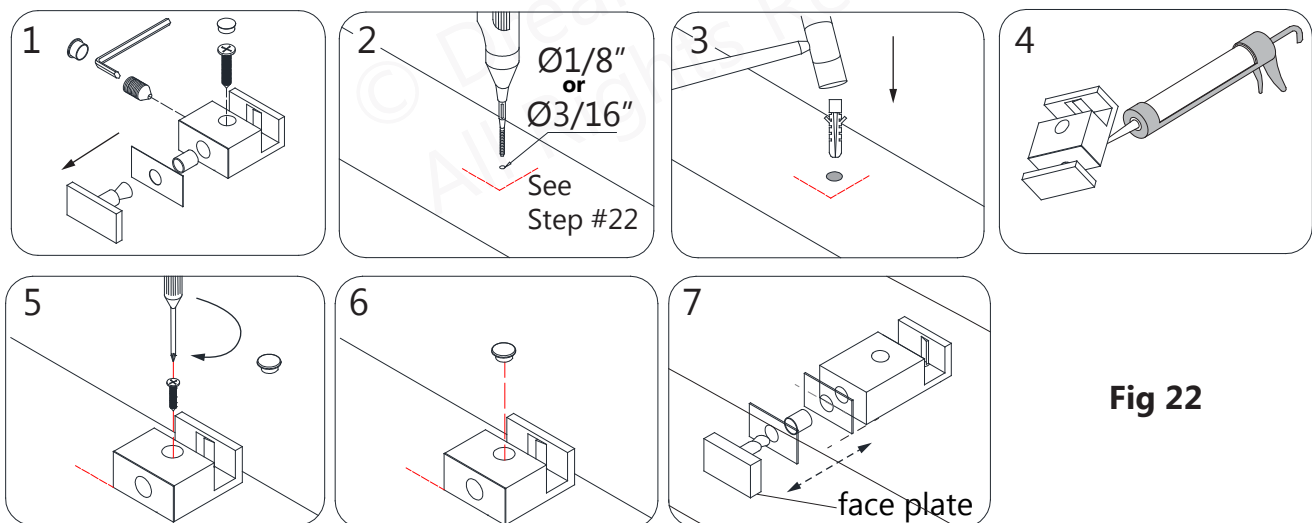


Fig 22



TIP: Bring the **door glass** into the shower **before** permanently installing the **Stationary Glass (#02)** and **guide rail**. Be sure the handle holes face the correct side. After the **Stationary Glass (#02)** and **Guide Rail (#04)** are installed, it may not be possible to easily get the door glass into the shower. Always use padding to protect the glass and shower surfaces.



Use Caution not to bang the glass into the U-channel or threshold. Leave the corner protectors on the glass until it is necessary to remove them.

23. Apply silicone into the **U-Channel (#01)**. Slide the **Stationary Glass (#02)** firmly into the installed **U-Channel (#01)**, while carefully setting it into the groove of the **Guide Block (#12)**.

Tighten the set screw to secure the guide block face plate tight to the glass. **(Fig 23)**

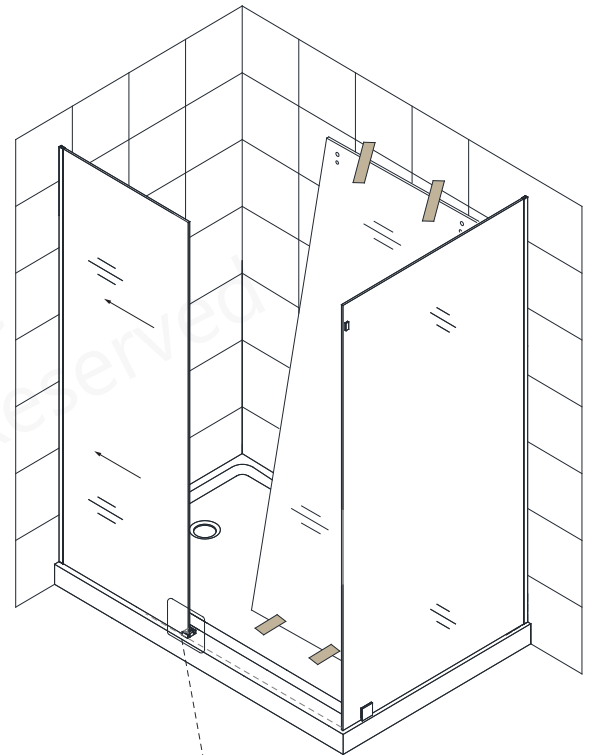
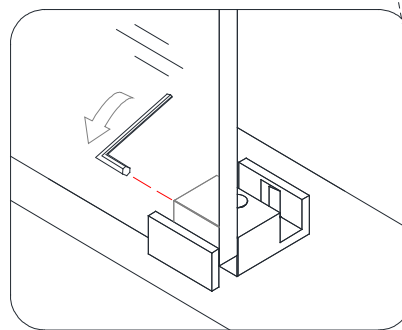
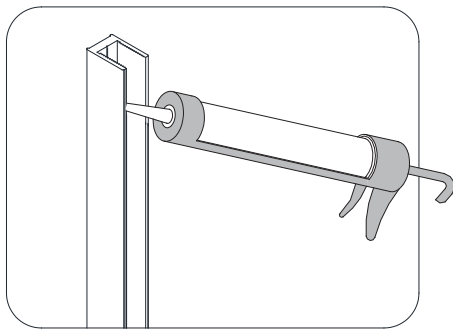
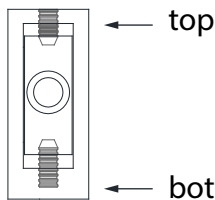


Fig 23



24. Attach the **Stoppers (#05)** and **Guide Rail Brackets (#06)** to both ends of the **Guide Rail (#04)**. Be sure slide the panel side stopper beyond the first glass holder hole. **(Fig 24)**



Note that there is a top and a bottom to the guide rail bracket.

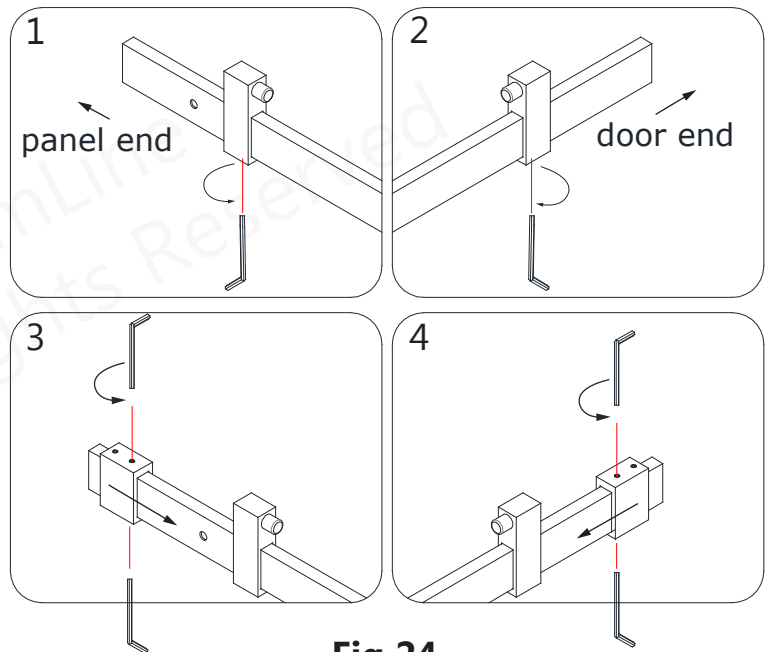


Fig 24

Right-hand door installation shown as example

NOTE: Use caution not to scratch the guide rail when installing the brackets and stoppers. Be sure to fully loosen the set screws before sliding the brackets and stoppers onto the guide rail.

25. Align the panel side **Guide Rail (#04)** end with the installed **Guide Rail Wall Bracket (#6b)**. Slide the **Guide Rail Bracket (#6a)** over the **Guide Rail Wall Bracket (#6b)** and tighten the set screws. **(Fig 25)**

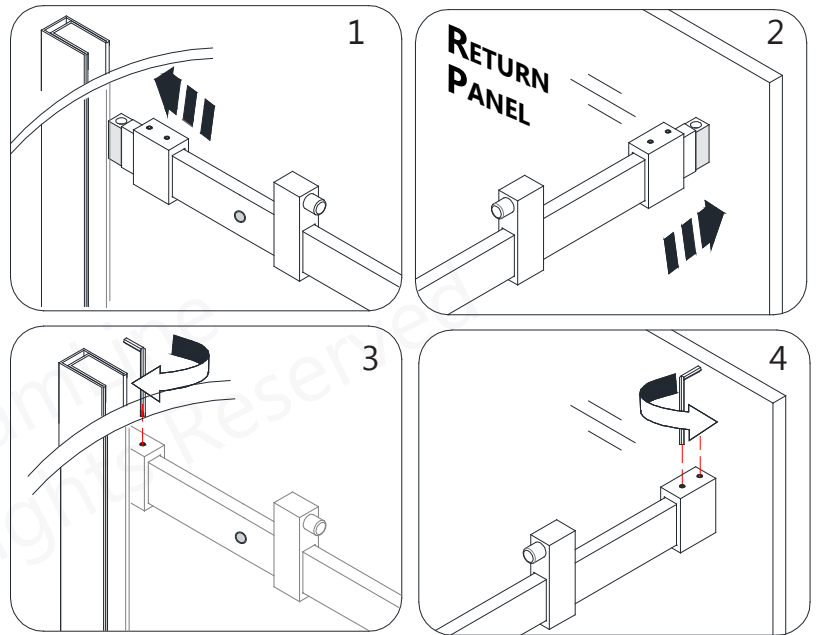


Fig 25

TIP: Leave the set screws that hold the guide rail to the bracket loose to allow for side-to-side adjustment of the guide rail to make it easier to align the holes in the guide rail with the holes in the panel glass. **Tighten these set screws after the holes are aligned. (Fig 25.3 and 25.4)**

26. Attach the **Stationary Glass (#02)** to the **Guide Rail (#04)** using the **Glass Brackets (#07)**. Use the supplied gaskets to protect the glass. **(Fig 26)**

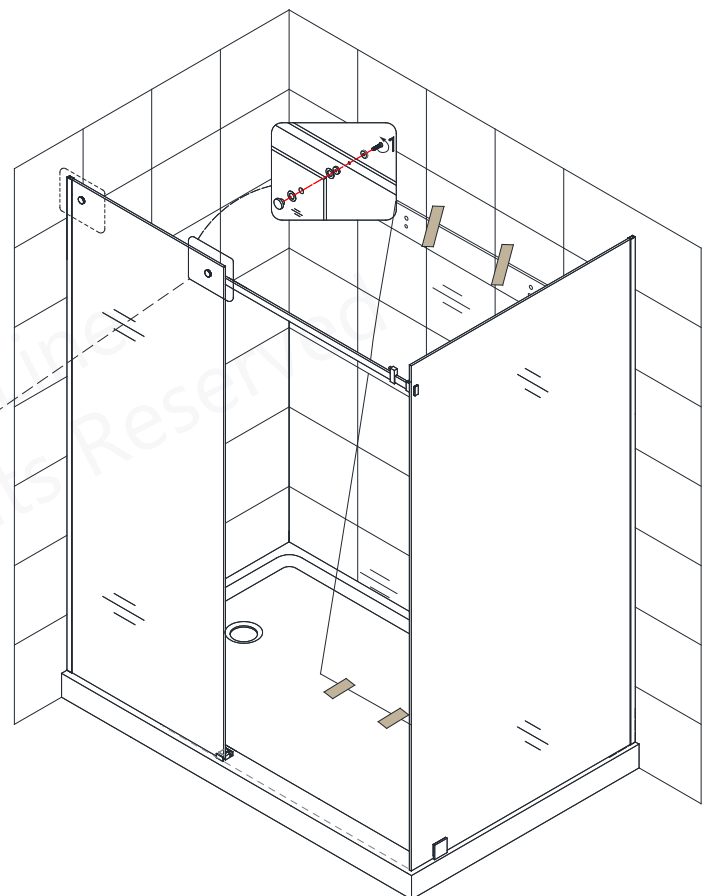
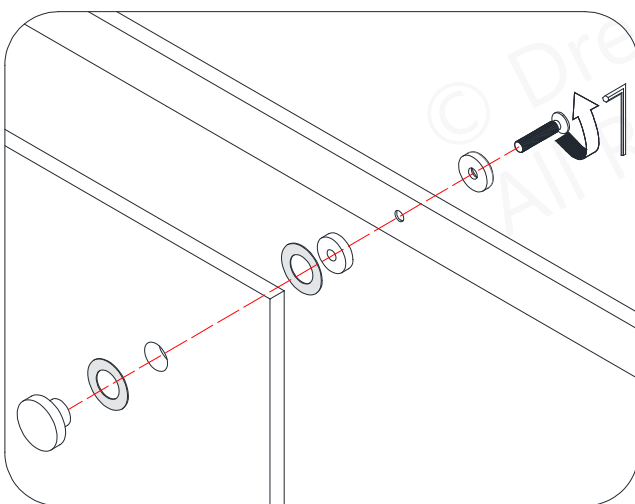


Fig 26



27. Level the **Guide Rail (#04)** across the opening. Use the set screws on the **Guide Rail Brackets (#06)** to adjust the level of the **Guide Rail (#04)** if necessary. **(Fig 27)**

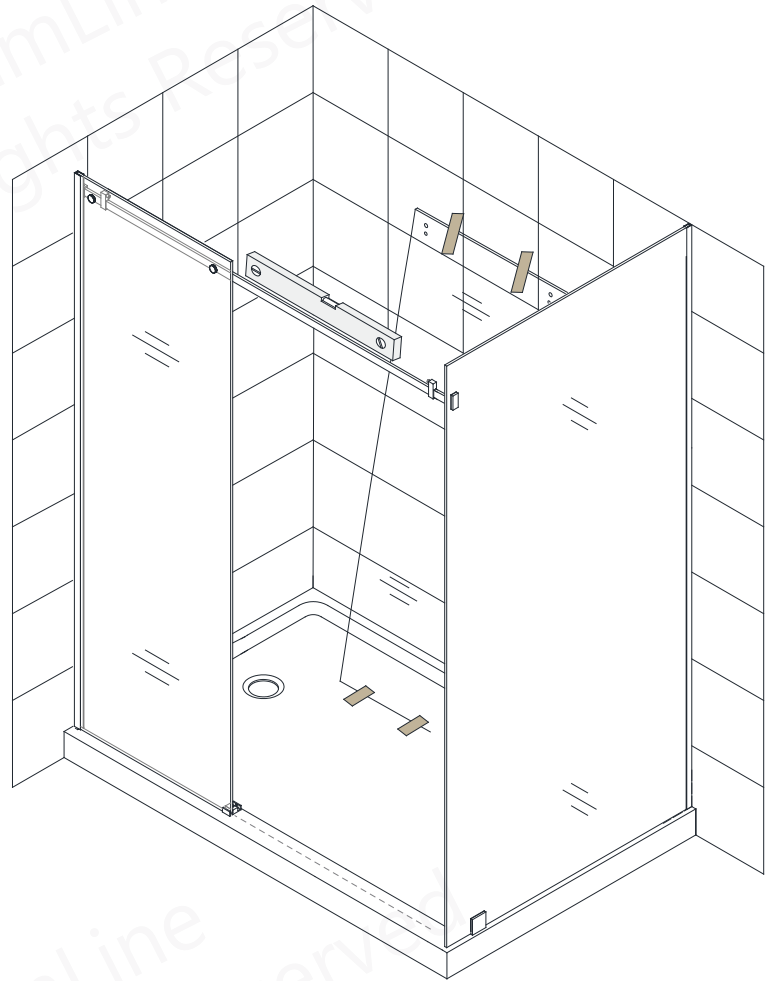
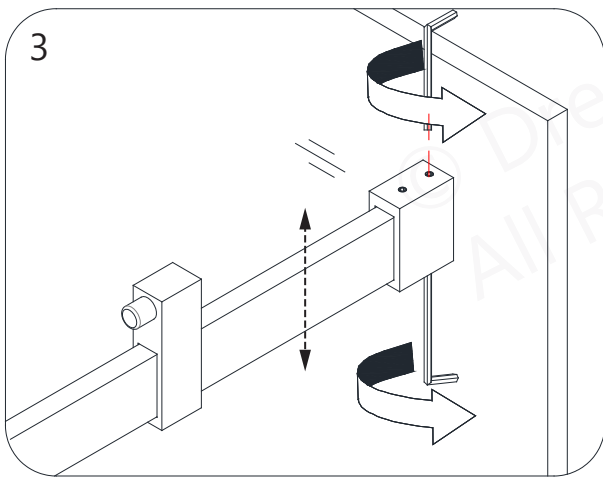
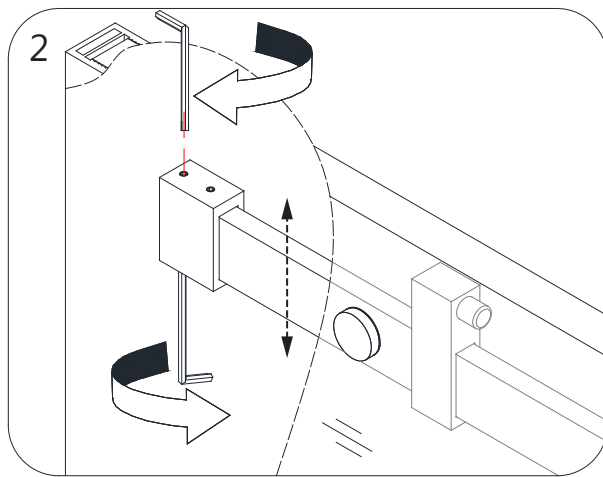
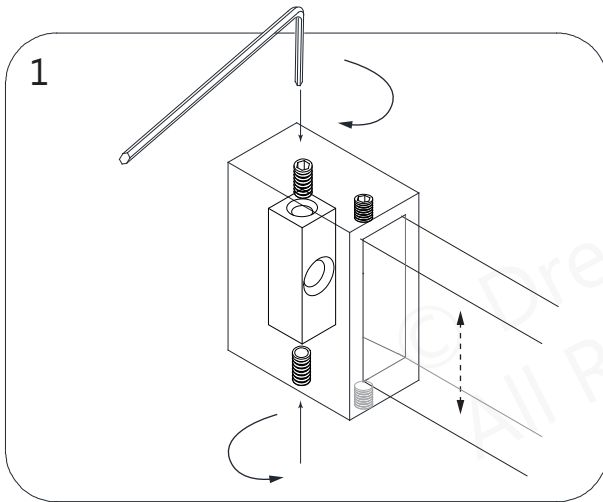
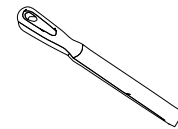
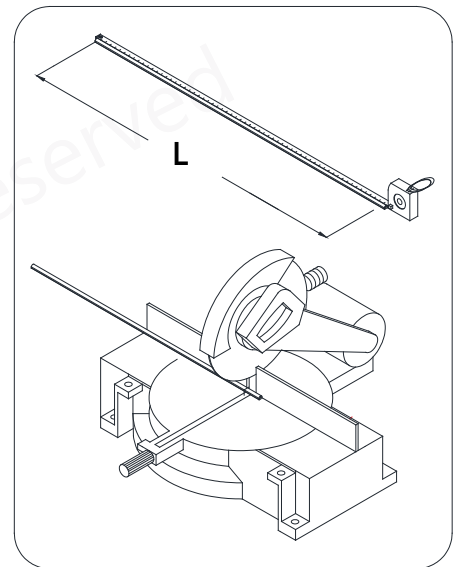
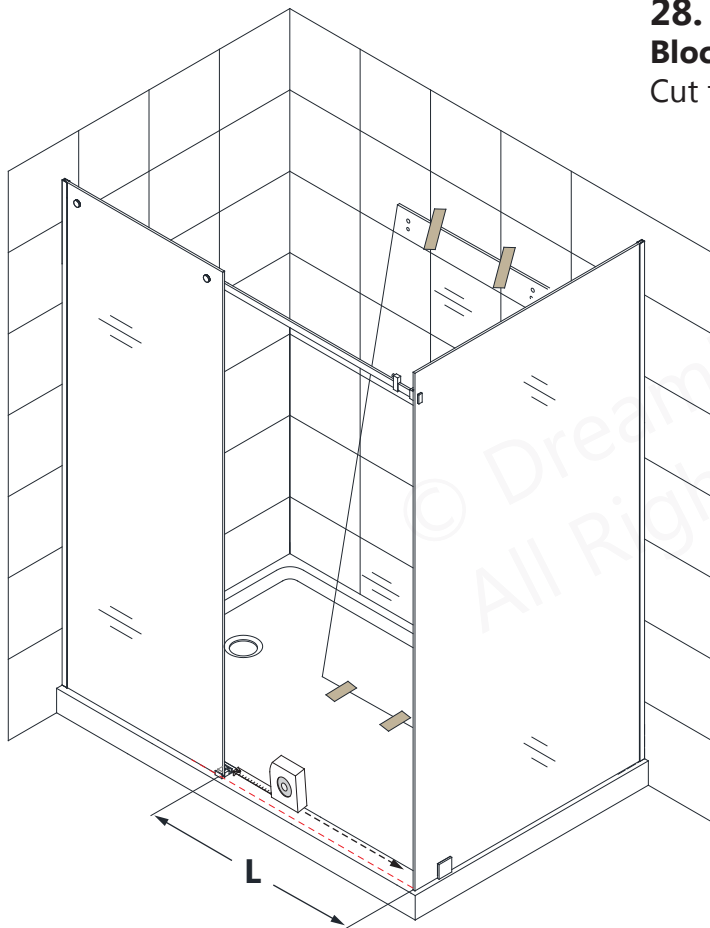


Fig 27

28. Measure the distance from the edge of the **Guide Block (#12)** to the wall. This distance will be (L).
Cut the **Anti-Splash Threshold (#11)** to the size of: (L).
(Fig 28)



Use a Metal File to remove any burrs from the cut end

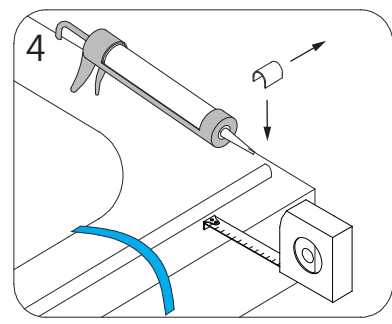
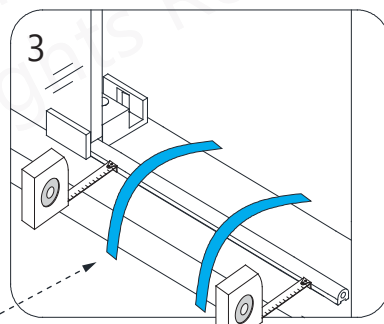
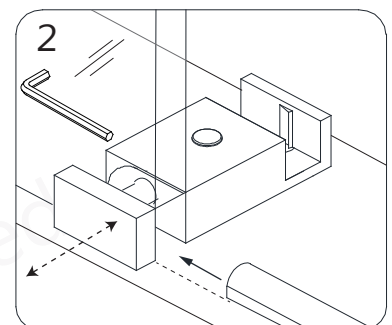
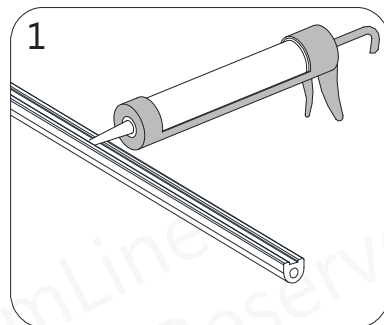
Fig 28

29. Apply silicone to the bottom of the **Anti-Splash Threshold (#11)**. Remove the **face plate** from the **Guide Block (#12)**. Insert one end of the **Anti-Splash Threshold (#11)** fully into the **Guide Block (#12)** and replace the **guide block face plate**.

Align the **Anti-Splash Threshold (#11)** parallel with the front edge of the shower base or threshold.

Cover the other end of the **Anti-Splash Threshold (#11)** with the **Anti-Splash Threshold End Cap (#10)**. Apply a small amount of silicone to the cap to prevent leakage.

Use several strips of painter's tape to hold the **Anti-Splash Threshold (#11)** in place until the silicone cures. (Fig 29)



Right hand door installation shown as example



Painter's Tape

Fig 29

30. Attach the **Rollers (#08)** to the **Door Glass (#03)** with the wheels facing out.

NOTE: The roller adjustment disk can be rotated to tilt the door glass slightly to create a tight seal with the return panel glass. Install both wheels the same and only make adjustments after installing the bulb vinyl seal. **(Fig 30)**

NOTE: Apply **Thread Lock Adhesive (#20)** to the roller bolts during installation.

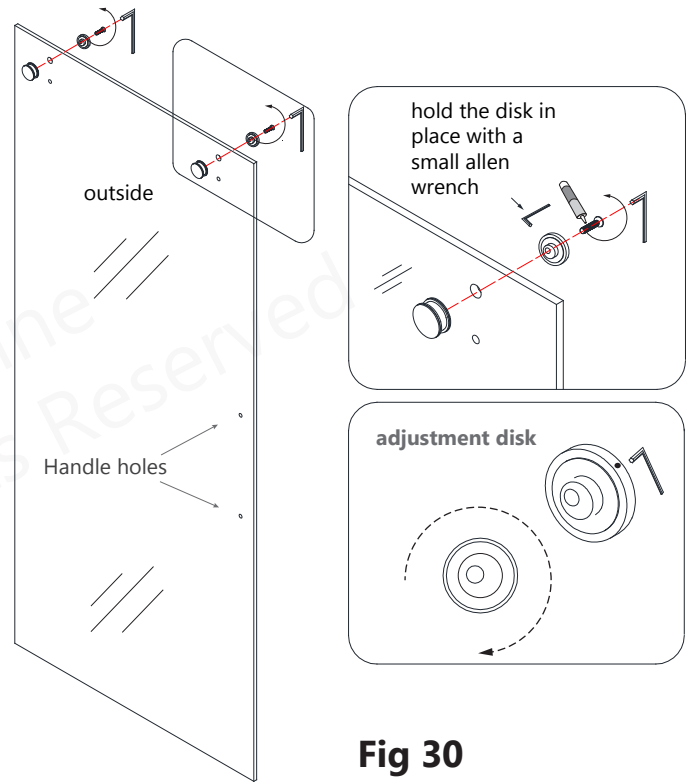
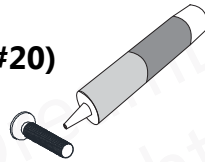


Fig 30

Right hand door installation shown as example



NOTE: DO NOT install the handle onto the door glass until instructed. **DO NOT** attempt to lift the glass using the handle. This could result in damage to the glass and/or serious personal injury. Always use an assistant or a professional grade glass suction cup when handling heavy glass.

31. Align the bottom of the **Door Glass (#03)** with the **Guide Block (#12)** and hang the door from the **Guide Rail (#04)**. Attach the **Bumper Strip (#14)** to the handle side of the door glass. **(Fig 31)**



Use Caution not to bang the glass into the Guide Block

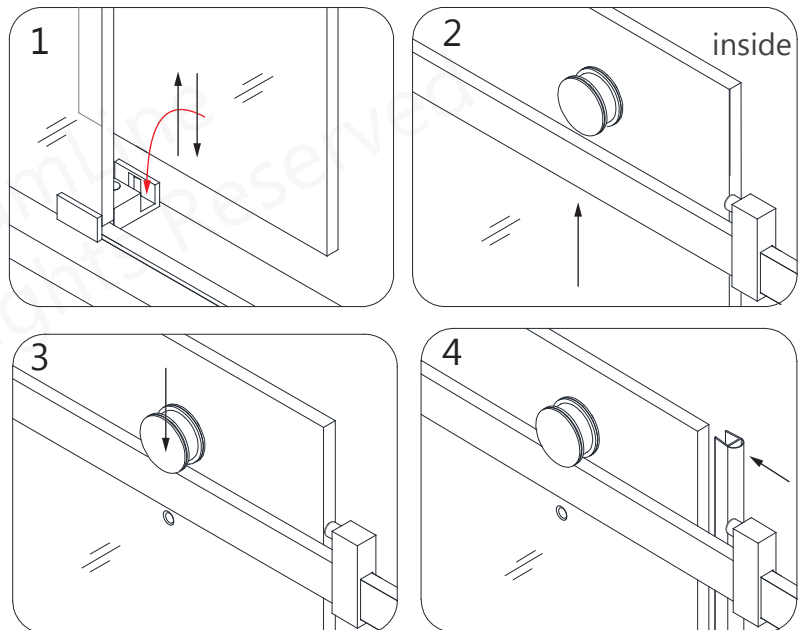
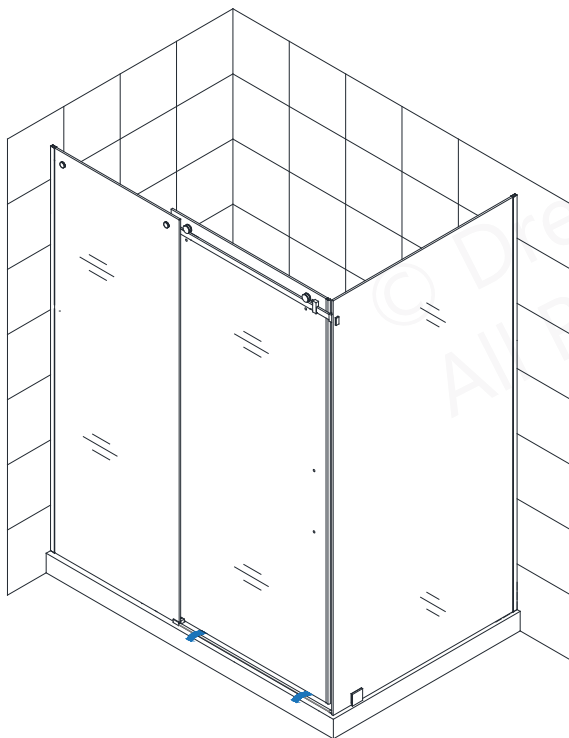
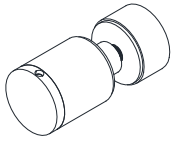
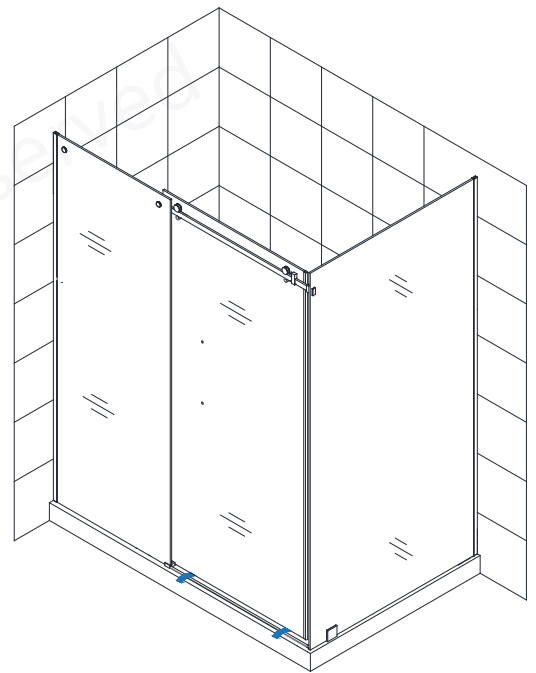
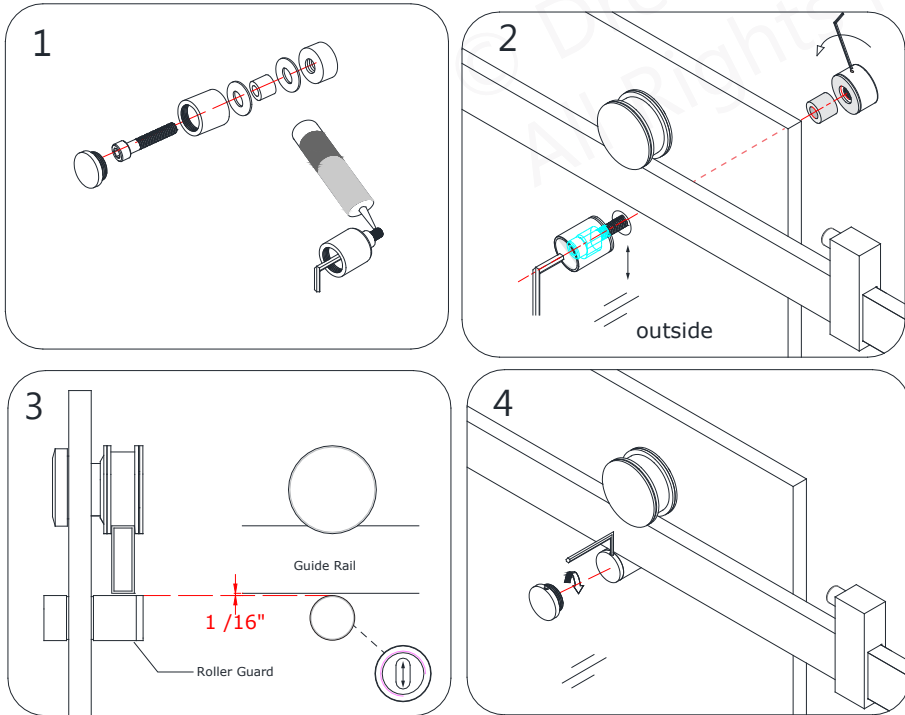


Fig 31

32. Attach the two **Roller Guards (#09)** onto the door glass to secure the door to the **Upper Guide Rail (#04)**. Make sure all gaskets are in place. **Apply Thread Lock Adhesive (#20) to the bolts.** Leave no more than a **1/16" gap** between the **Roller Guards (#09)** and the **Upper Guide Rail (#04)**. Hold the **Roller Guards (#09)** in position, tighten the post and screw on the cap. **(Fig 32)**



NOTE: Apply **Thread Lock (#20)** to the **Roller Guard bolt** during installation.



TIP: Position the roller guard 1/16" below the guide rail, hold the roller guard bolt with the allen wrench and tighten the interior post using the small allen wrench. **(Fig 32.2)**

Fig 32

33. Attach the **Handle (#15)** to the **Door Glass (#03)**. Attach the **Anti-Water Strips (#13)** to the edge of the **Stationary Glass (#02)** and **Door Glass (#03)**. **(Fig 33)**

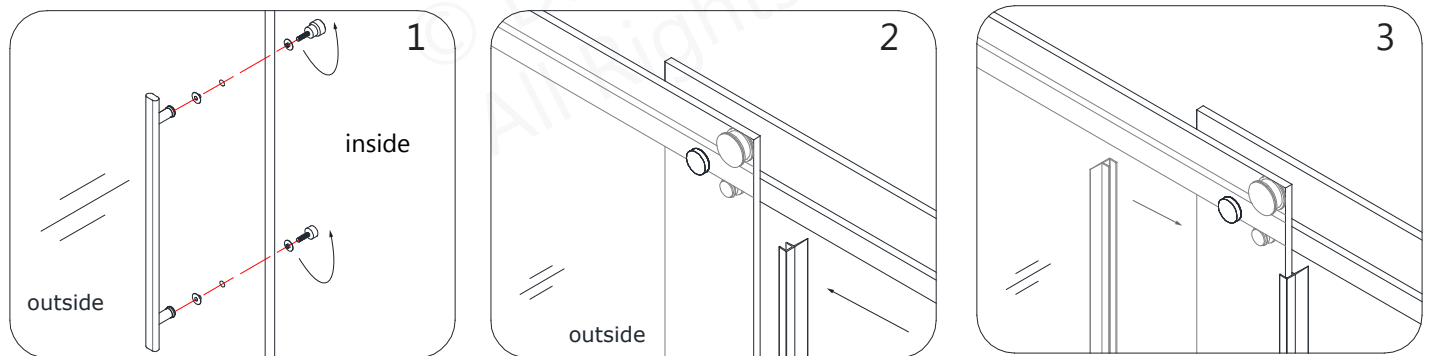


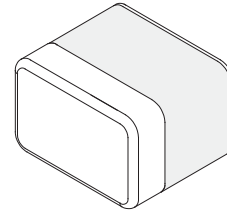
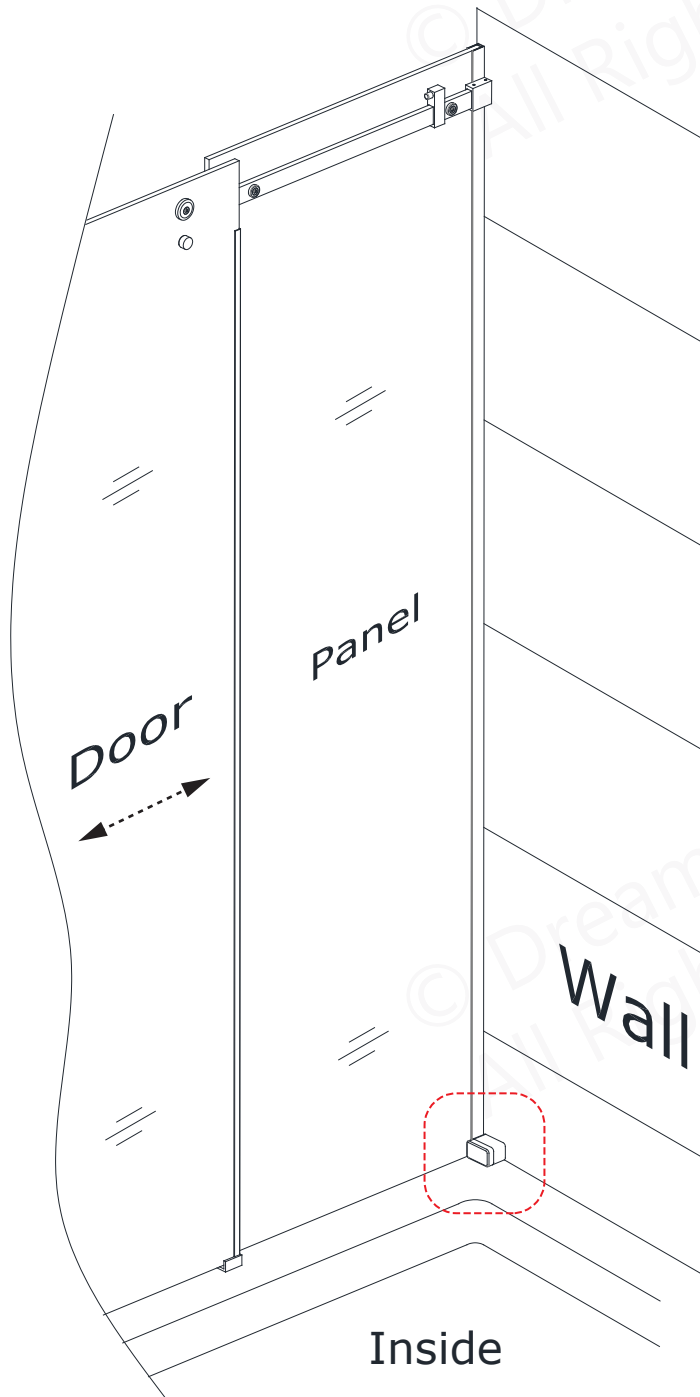
Fig 33

34. To install the **SafeStop™ Bumper (#26) with the 3M tape:** position the **SafeStop™ Bumper (#26)** onto the threshold on the stationary panel side of the installation. Remove the **3M Tape** backing and position the **SafeStop™ Bumper (#26)** onto the threshold against the **U-Channel (#01)**. (**Fig 34**)



NOTE: The surfaces need to be clean and free of construction debris before installing the bumper. Wipe the area with an alcohol swab before installation.

TIP: Install the **SafeStop™ Bumper (#26)** using the **3M** tape. Screwing the bumper to the wall using a **5/16"** hole and anchor is optional (see step 34).



The **SafeStop™ Bumper (#26)** is reversible for Left or Right wall installation. (Left wall installation shown below from inside the shower)

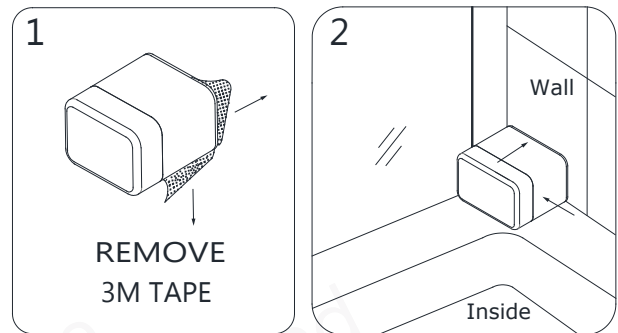


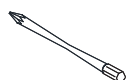
Fig 34

35. To install the **SafeStop™ Bumper (#26)** with the screw method: position the **SafeStop™ Bumper (#26)** onto the threshold on the stationary panel side of the installation and mark the position of the hole on the wall. Drill a **Ø5/16"** hole and insert the **5/16"** **Wall Anchor (#16)**. Remove the **3M** Tape backing and position the **SafeStop™ Bumper (#26)** onto the threshold against the **U Channel (#01)** and attach using the **ST4.2 x 55 Countersunk Screw (#21)**. (Fig 35)

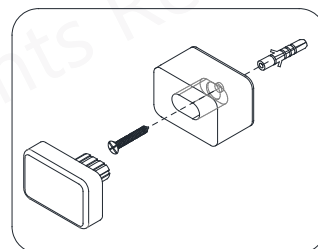


NOTE: The surfaces need to be clean and free of construction debris before installing the bumper. Wipe the area with an alcohol swab before installation.

TIP: Use caution if using the screw method to not crack the wall/tile and to avoid any plumbing behind the wall.



Extender driver bit recommended for screw installation method



The **SafeStop™ Bumper (#26)** is reversible for Left or Right wall installation. (Left wall installation shown below from inside the shower)

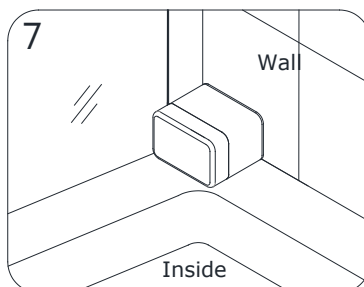
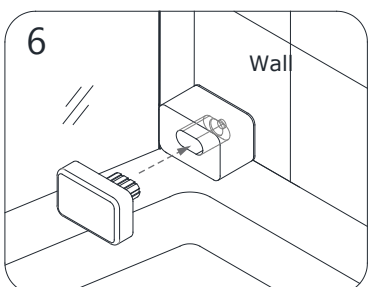
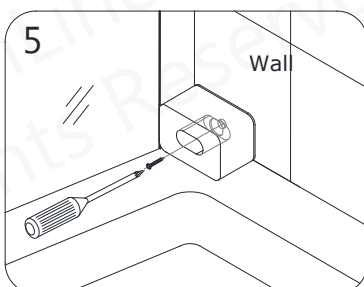
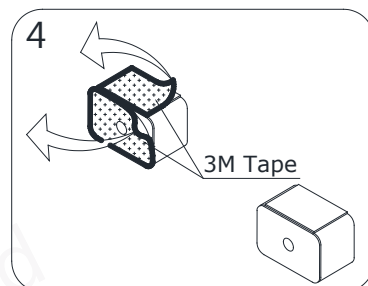
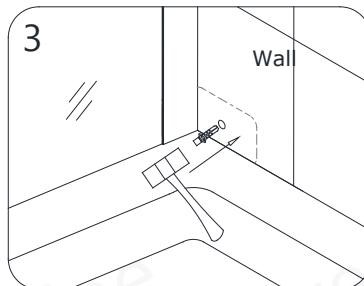
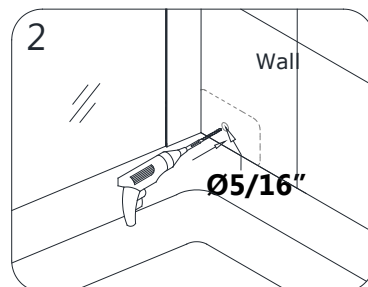
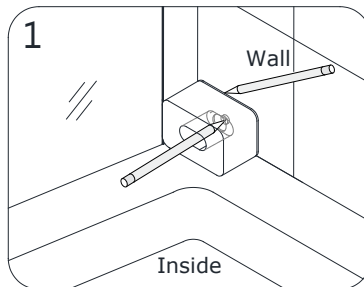
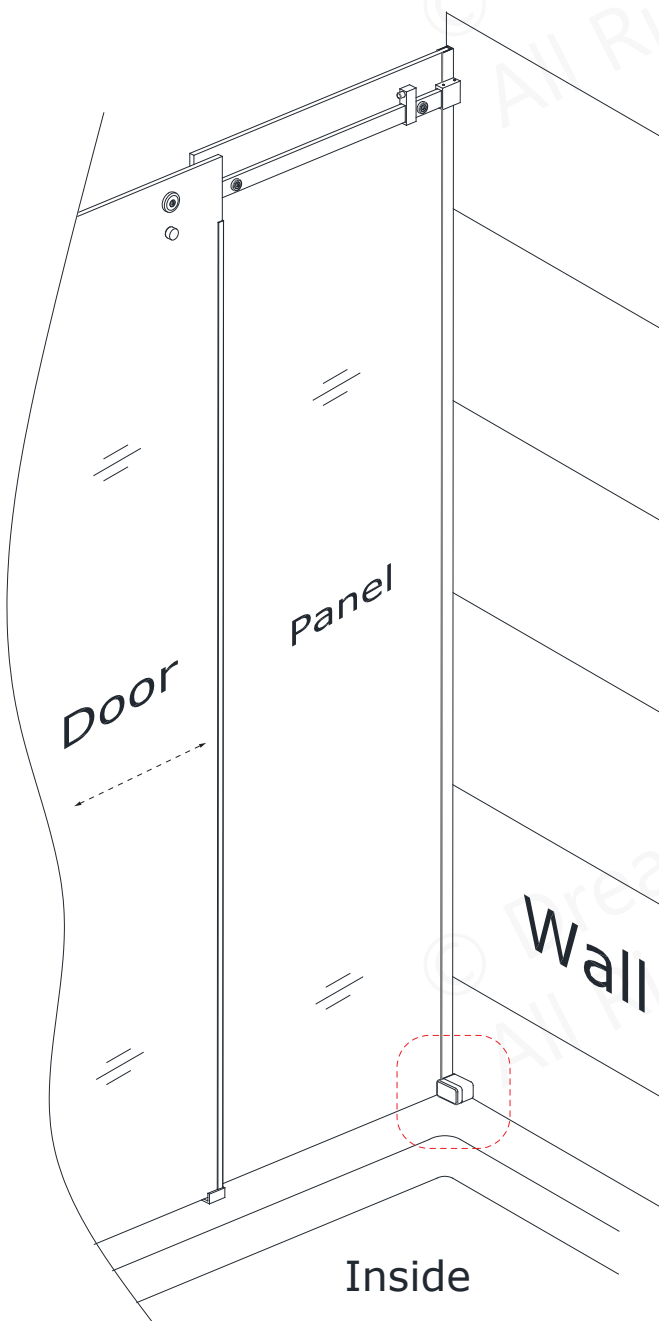


Fig 35

! **NOTE:** Cover the shower/tub drain with tape prior to removing the set screws to prevent loss.

36. Position the **Stoppers (#05)**, remove the set screws from the **Stoppers (#05)** and apply **Thread Lock Adhesive (#20)** to the threads. Reinsert the set screws into the **Stoppers (#05)**. Correctly position the **Stoppers (#05)** and screw them tightly to the **Guide Rail (#04)** with the supplied allen wrench.



NOTE: The **Stoppers (#05)** must be positioned correctly to prevent the handle from contacting the **Stationary Glass (#02)** and to stop the **Door Glass (#03)** in a position that allows the bumper strip to create a seal with the wall, but does not allow the door glass to bang into the wall during normal operation. (Fig 36a and 36b)

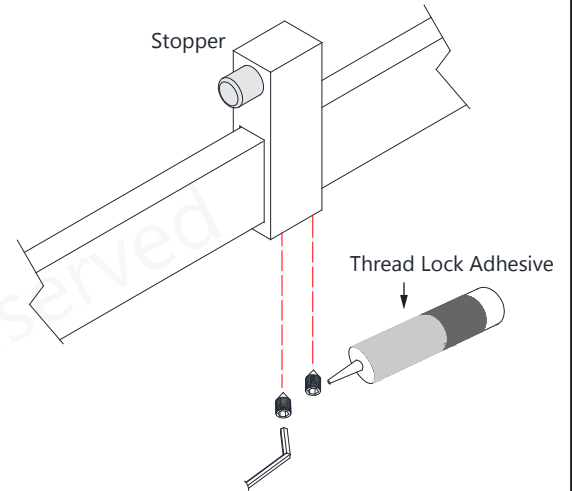


Fig 36a



*****Position the Panel-side stopper so that the door glass makes contact with the stopper and bottom bumper at the same time.**

Door Stopper Installation:

1. Remove the set screws
2. Slide the **Door** open until it makes contact with the bottom **SafeStop™ Bumper (#26)** to correctly position the panel side **Stopper (#05)** on the **Upper Guide Rail (#04)**.
3. Remove the set screw threads and apply **Thread Lock Adhesive (#20)**
4. Reinsert the set screws into the **Stopper (#05)** and fully tighten. (Fig 36b)
5. Repeat on the Door side and position the **Stopper (#05)** so that the bulb vinyl seals with the wall.

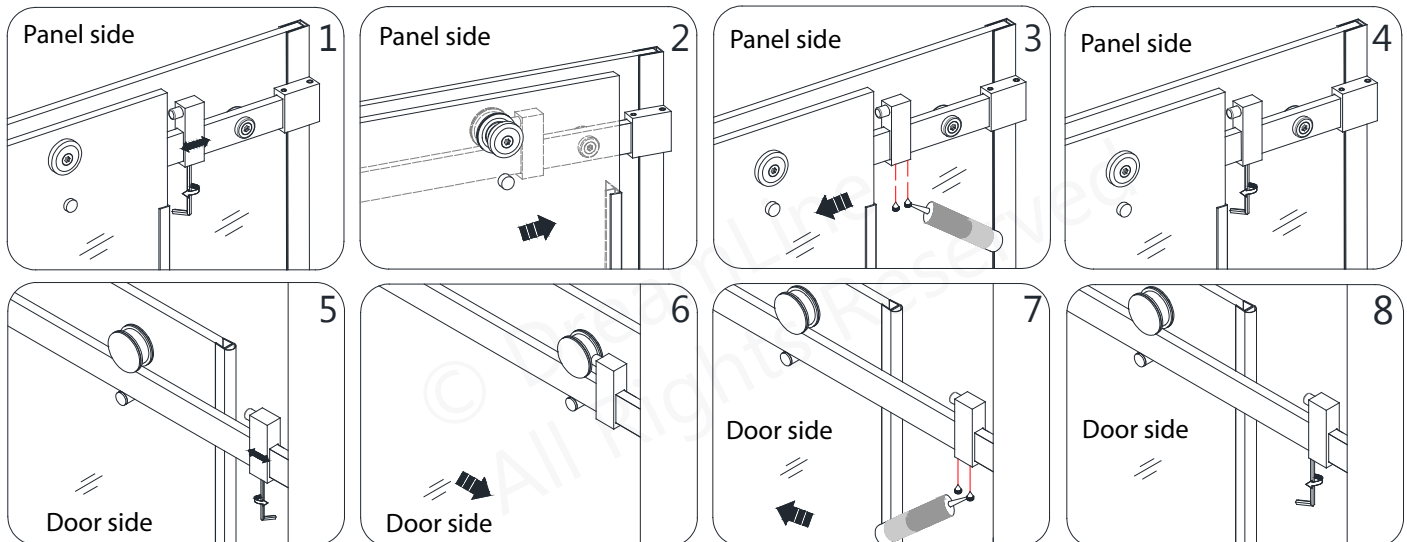


Fig 36b



- * **Stopper Locations as measured from the wall to the center of the stopper:**
- Panel side: 5" (+/- 1/16") where the door makes contact with the bottom bumper
 - Door side: 3-1/2" (+/-) (depends on opening conditions)

37. Apply a good quality mildew-resistant silicone along the connection of the stationary glass with the walls and the threshold. **(Fig 37)**



NOTE: The surfaces need to be clean and free of debris before applying silicone.

Allow 24 hours for the silicone to fully cure before using the shower.

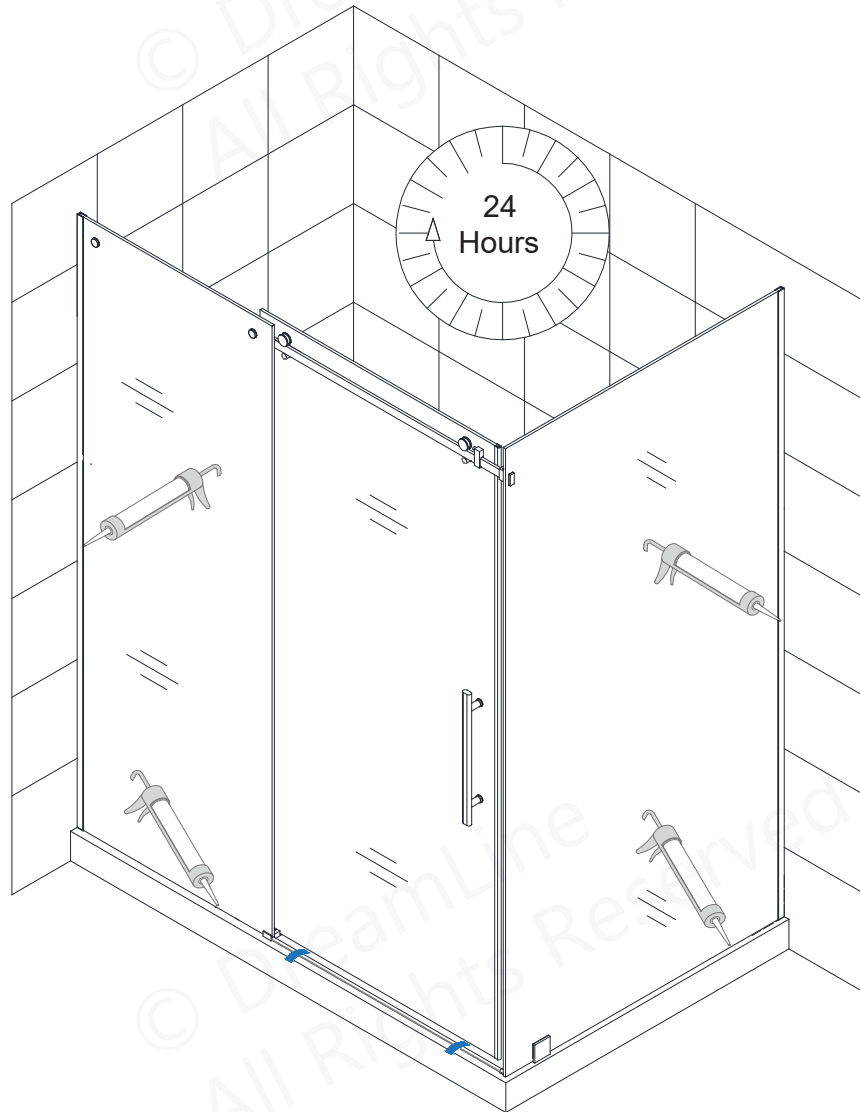


Fig 37

Right-hand return panel installation shown as an example

Product Maintenance

BASES and BACKWALLS: To ensure long lasting life for your acrylic back walls: wipe them off after each use with a soft cloth. To clean the acrylic back walls use non-abrasive sprays or cream based cleaners. Avoid the use of aerosol spray cleaners. Never use abrasive cleansers, metal brushes or scrapers that could scratch or dull the surface.

GLASS: To ensure long lasting life for your glass shower products: wipe them off after each use with a soft cloth. Rinse and wipe off the glass using either a soft cloth or a squeegee to prevent soap buildup and water spots (Hard water can etch the surface of the glass over time if left to dry). To prevent scratching the surface: never use abrasive cleaners or cleaning products that contain scouring agents. Never use bristle brushes or abrasive sponges that may scratch the surface.

HARDWARE: To ensure a long lasting finish: wipe off the metal parts after each use with a soft cloth. Do not use abrasive cleaners or cleaning products containing ammonia, bleach or acid. If accidentally used, rinse the surface as soon as possible to prevent damage to the finish (peeling or corrosion). After cleaning the polished finishes, rinse thoroughly and wipe dry with soft cloth. Clean stainless steel surfaces at least once a week. When applying stainless steel cleaner or polish to stainless steel hardware, work with (not across) the grain. Never use an abrasive sponge or cloth, steel wool or wired brush as these may permanently scratch the surfaces.

NOTE: To maximize the life of your door, it is important to regularly inspect the glass and other hardware for misalignment, proper attachment, and/or damage. Contact DreamLine® with any questions or concerns.

Enigma-Air Enclosure Maintenance Checklist

- Guide rail** level and tight
- Guide rail brackets** tight to the walls
 - o All set screws tight
- Inline and Return Panel glass** secure
- Panel glass brackets** tight
- Guide block** square to the threshold and glass
- Proper clearance beneath the door glass between the threshold and within the guide block
- Door Glass** adjusted so that the **Bulb vinyl seal** makes even contact with the return panel glass
- Wheel assemblies** tight
 - o Wheel **roller bolts** tight
- Stoppers** tight and positioned correctly
 - o **Panel-side stopper** tight and secured to the guide rail
 - o Adequate **Handle clearance** when the door is fully open
 - o **Door-side stopper** positioned at approximately 4" (+/- 1/8") (as measured from the return panel glass to the center of the stopper)
- Stopper** stops the door and bulb vinyl seals to the return panel glass
- SafeStop bumper** secure to the wall
- Roller guards** positioned within 1/16" beneath guide rail
- Remove vinyl seals to **inspect the edges of the door glass** for concealed damage
 - o **Damaged glass must be replaced!**
- Replace damaged or missing vinyl seals



TEL: 866-731-2244
FAX: 866-857-3638
DREAMLINE.COM

For more information on DreamLine® Shower Doors and Enclosures please visit **DreamLine.com**