

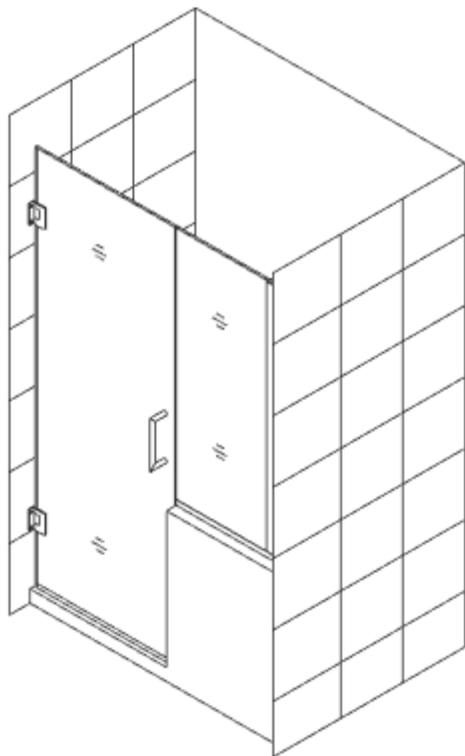


## UNIDOOR PLUS (STYLE G)

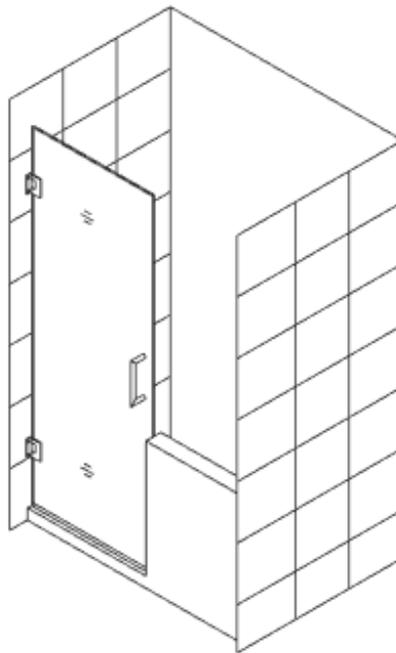
### SHOWER DOOR & GLASS PANEL INSTALLATION INSTRUCTIONS

#### IMPORTANT

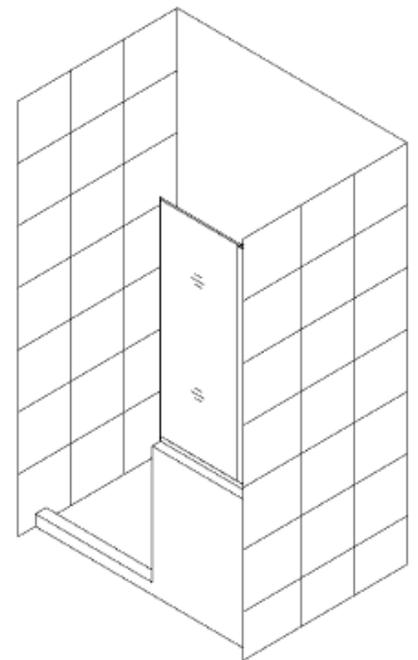
DreamLine® reserves the right to alter, modify or redesign products at any time without prior notice. For the latest up-to-date technical drawings, manuals, warranty information or additional details please refer to your model's web page on [DreamLine.com](http://DreamLine.com)



**STYLE G**



*STEP 1: INSTALL SHOWER DOOR*



*STEP 2: INSTALL PANEL*

Please read these instructions carefully before installing. If you have any questions regarding installation, please contact our technical support specialists Monday through Friday 8:00 AM – 7:00 PM EST at Phone: [1-866-731-2244](tel:1-866-731-2244), Fax: [1-866-857-3638](tel:1-866-857-3638) or e-mail our technical support group at [Support@DreamLine.com](mailto:Support@DreamLine.com)

For more information about DreamLine® products please visit [DreamLine.com](http://DreamLine.com)

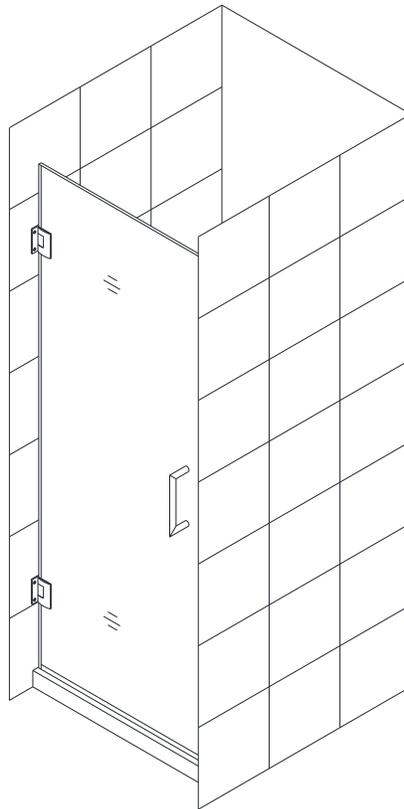


# UNIDOOR/UNIDOORLUX/UNIDOOR PLUS

## SINGLE SHOWER DOOR INSTALLATION INSTRUCTIONS

### IMPORTANT

DreamLine® reserves the right to alter, modify or redesign products at any time without prior notice. For the latest up-to-date technical drawings, manuals, warranty information or additional details please refer to your model's web page on **DreamLine.com**



*Right-hand installation shown*

### Model #s

SHDR-20237210F-##  
SHDR-20247210F-##  
SHDR-20257210F-##  
SHDR-20267210F-##  
SHDR-20277210F-##  
SHDR-20287210F-##  
SHDR-20297210F-##  
SHDR-20307210F-##

### ## = Finish

01 = Chrome  
04 = Brushed Nickel  
06 = Oil Rubbed Bronze  
HFR=Half Frosted Band

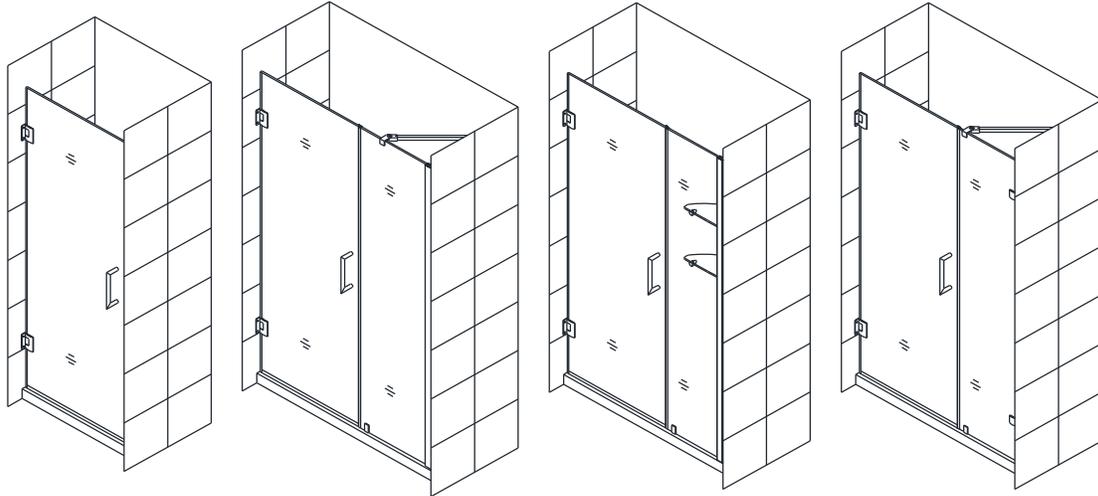
**ATTENTION: This model is also available with the half etched glass option. Please see specific installation instructions on page 15 when applicable.**

Please read these instructions carefully before installing. If you have any questions regarding installation, please contact our technical support specialists Monday through Friday 8:00 AM – 7:00 PM EST at Phone: [1-866-731-2244](tel:1-866-731-2244), Fax: [1-866-857-3638](tel:1-866-857-3638) or e-mail our technical support group at [Support@DreamLine.com](mailto:Support@DreamLine.com)

For more information about DreamLine® products please visit [DreamLine.com](http://DreamLine.com)

# UNIDOOR STYLES

## Models with Glass-to-Wall hinges

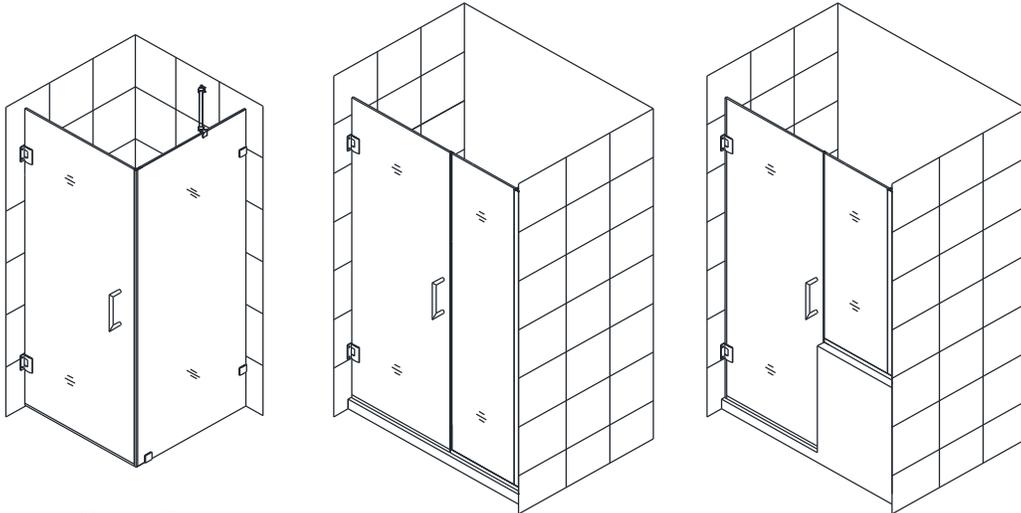


Style A

Style B

Style C

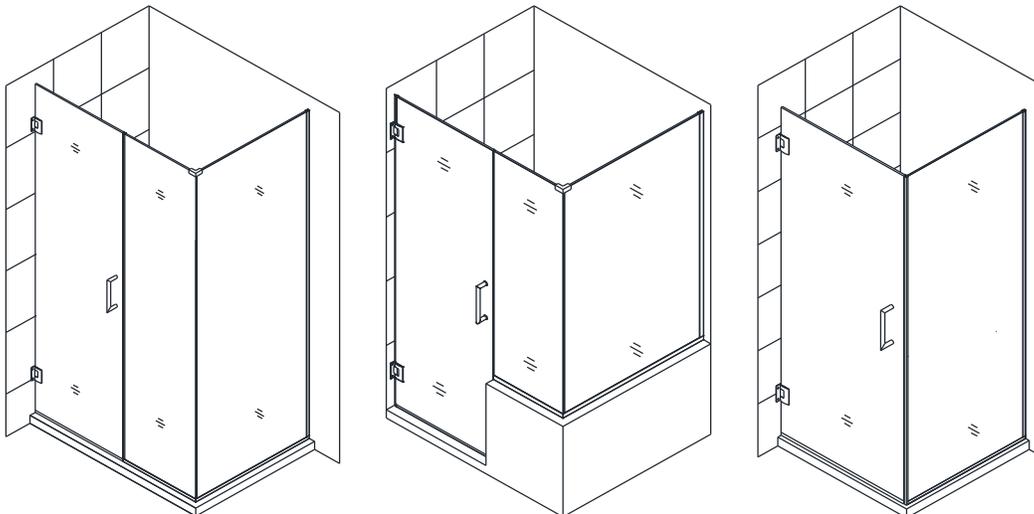
Style D



Style E

Style F

Style G

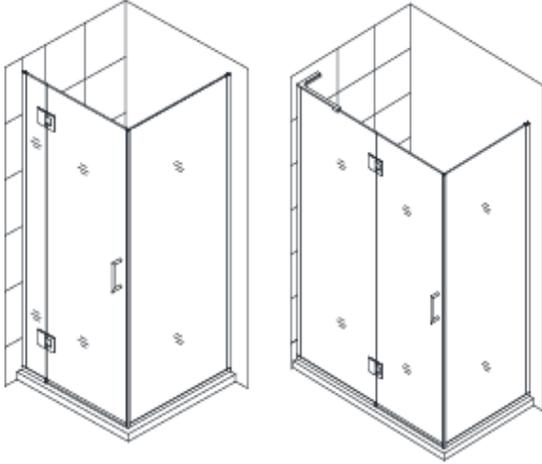


Style I

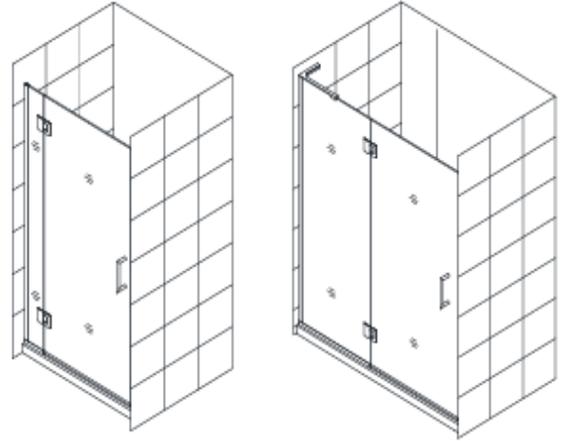
Style J

Style L

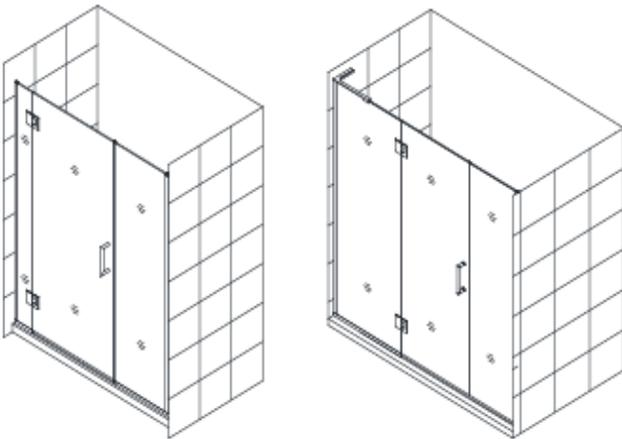
**Models with Glass-to-Glass hinge panels:** For Glass to Glass hinge Door installation use the installation manual packaged with the Hinge panel glass



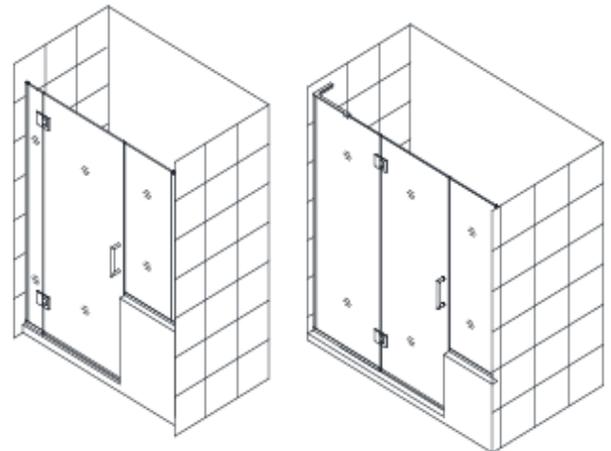
Style L1



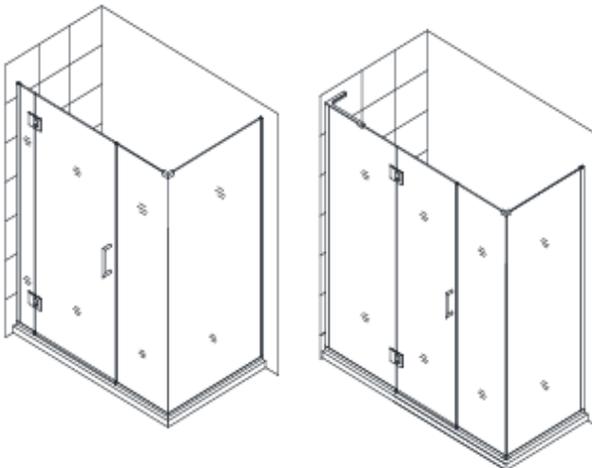
Style M



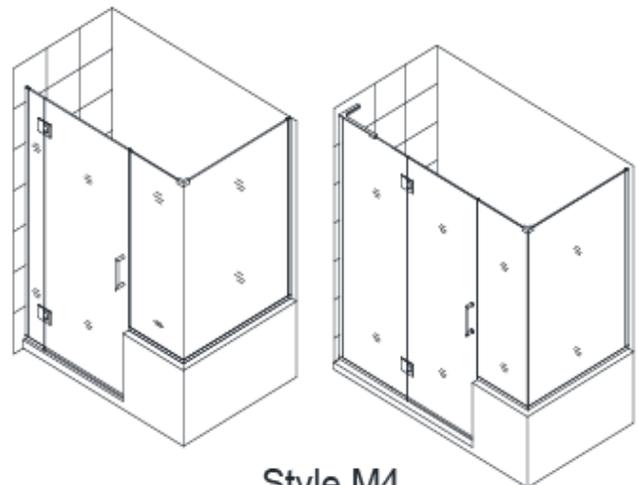
Style M1



Style M2



Style M3



Style M4

**STYLE A**

**UNIDOOR** Single shower door 23" - 30"

Refer to detailed diagram on page 5 of this manual for assembly instructions

**STYLE B \***

**UNIDOOR** Shower door 23" – 30" with 6" small or 12"-30" large stationary panel

**STYLE C \***

**UNIDOOR** Shower door with 12"-30" large stationary panel

**STYLE D \***

**UNIDOOR LUX** Shower door with 6" small or 14"-30" large stationary panel

**STYLE E \***

**UNIDOOR LUX** Shower enclosure with 30" return stationary panel

**STYLE F \***

**UNIDOOR PLUS** Shower door with 6" -34" in-line stationary panel secured using u-channel

**STYLE G \***

**UNIDOOR PLUS** Shower door with 6" -34" in-line half wall panel secured using u-channel

**STYLE I \***

**UNIDOOR PLUS** Shower enclosure with 6" -34" in-line stationary panel and 30"-34" return panel secured using u-channel

**STYLE J \***

**UNIDOOR PLUS** Shower enclosure with 12"-36" in-line half wall panel and 30"-34" return panel secured using u-channel

**STYLE L \***

**UNIDOOR PLUS** Shower enclosure with 30" - 34" return stationary panel secured using u-channel

**STYLE L1 \*^**

**UNIDOOR Z** Shower door 23"~30" with 6" or 24" hinge panel and with 30"- 34" full height return panel secured using u-channel

**STYLE M \*^**

**UNIDOOR Z** Shower door 23"~30" with 6" or 24" hinge panel secured using u-channel

**STYLE M1 \*^**

**UNIDOOR Z** Shower door 23"~30" with 6" or 24" hinge panel and with 6", 6-1/2", 14", 14-1/2", 22" or 22-1/2" full height inline panel secured using u-channel

**STYLE M2 \*^**

**UNIDOOR Z** Shower door 23"~30" with 6" or 24" hinge panel with 12", 18", 24" or 26" inline buttress panel secured using u-channel

**STYLE M3 \*^**

**UNIDOOR Z** Shower door 23"~30" with 6" or 24" hinge panel, with 6", 6-1/2", 14", 14-1/2", 22" or 22-1/2" full height inline panel and 30" - 34" full height return panel secured using u-channel

**STYLE M4 \*^**

**UNIDOOR Z** Shower door 23"~30" with 6" or 24" hinge panel, with 12", 18", 24" or 26" in-line buttress panel and 30"- 40" buttress return panel secured using u-channel

**\* For the panel installation instructions, please refer to the separate manual included in the panel glass packaging.**

**^ For Glass to Glass door installation, please refer to the separate manual included in the hinge panel glass packaging.**

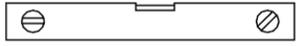
**NOTE:** The Unidoor series doors and enclosures are reversible for left or right hand installation. This manual will show the right hand installation. For a left hand installation, simply begin on the opposite wall and reverse the orientation of the parts as necessary.

## Preparation

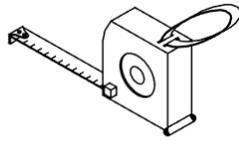
1. Prior to installation, examine all boxes and packages for shipping damage and compare the piece count with your packing slip. After opening all boxes and packages read this introduction carefully. Check that all of the needed parts are included in the package by checking off the components on the "Detailed Diagram of Shower Door Components". If the unit has been damaged, has a finishing defect, or has missing parts, please contact our customer support department within **3 business days** of the delivery date. Please note that **DreamLine® will not replace any damaged products or missing parts free of charge after 3 business days or if the product has been installed.** Please contact DreamLine® if you have any questions and please provide an order number, job name or other proof of purchase to help identify the original order.
2. **Please note that you should consult your local building codes with questions about installation compliance standards. Building and plumbing codes may vary by location, and DreamLine® is not responsible for code compliance standards for your project and will not accept any returns.**
3. If this unit is going to be installed in a new construction, install all of the required plumbing and drainage before installing the shower. **Use a competent and licensed (if required by local code) plumber for all plumbing installation.**
4. Please make sure that prior to beginning the installation, the surfaces are leveled and solid and will be able to support the total weight of the unit. Also make sure the walls are at right angles. Irregular installation surface level, radius corners or improper angle of side walls will result in serious problems for your installation. Please note that some adjustments and drilling may be necessary during the installation process.
5. Please protect all primary surfaces of the product during installation. Never set your glass down directly onto a tile floor. Leave corner protectors in place until necessary to remove them. Always use a piece of wood or cardboard to protect the bottom edge and corners of the glass prior to and during installation.
6. This unit must be installed upon a finished threshold and against finished walls.
7. **This door is extremely heavy and the hinges on this door must be attached to the studs or to preinstalled 2" × 6" wood reinforcement behind the wall. See pages 8, 9 & 10 for details.**
8. The **single** Unidoor installation does NOT have any adjustment for out-of-plumb conditions. Please verify that your walls are plumb before proceeding with the installation.
9. **Professional installation is recommended** for this heavy glass frameless shower door.

**NOTE: DO NOT** attach the handle to the door glass until instructed to do so. **DO NOT** use the handle to lift the glass during installation. This may result in damage to the glass and/or serious injury. Always use an assistant and/or a professional grade glass suction cup when handling heavy glass panels.

## Tools Required



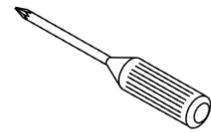
Level



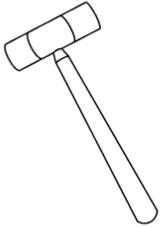
Tape Measure



Pencil



Phillips Screwdriver



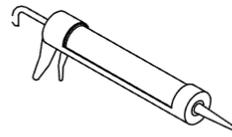
Hammer



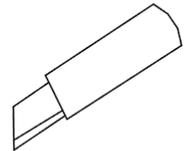
Drill bit  
(Ø=1/4")



Power Drill



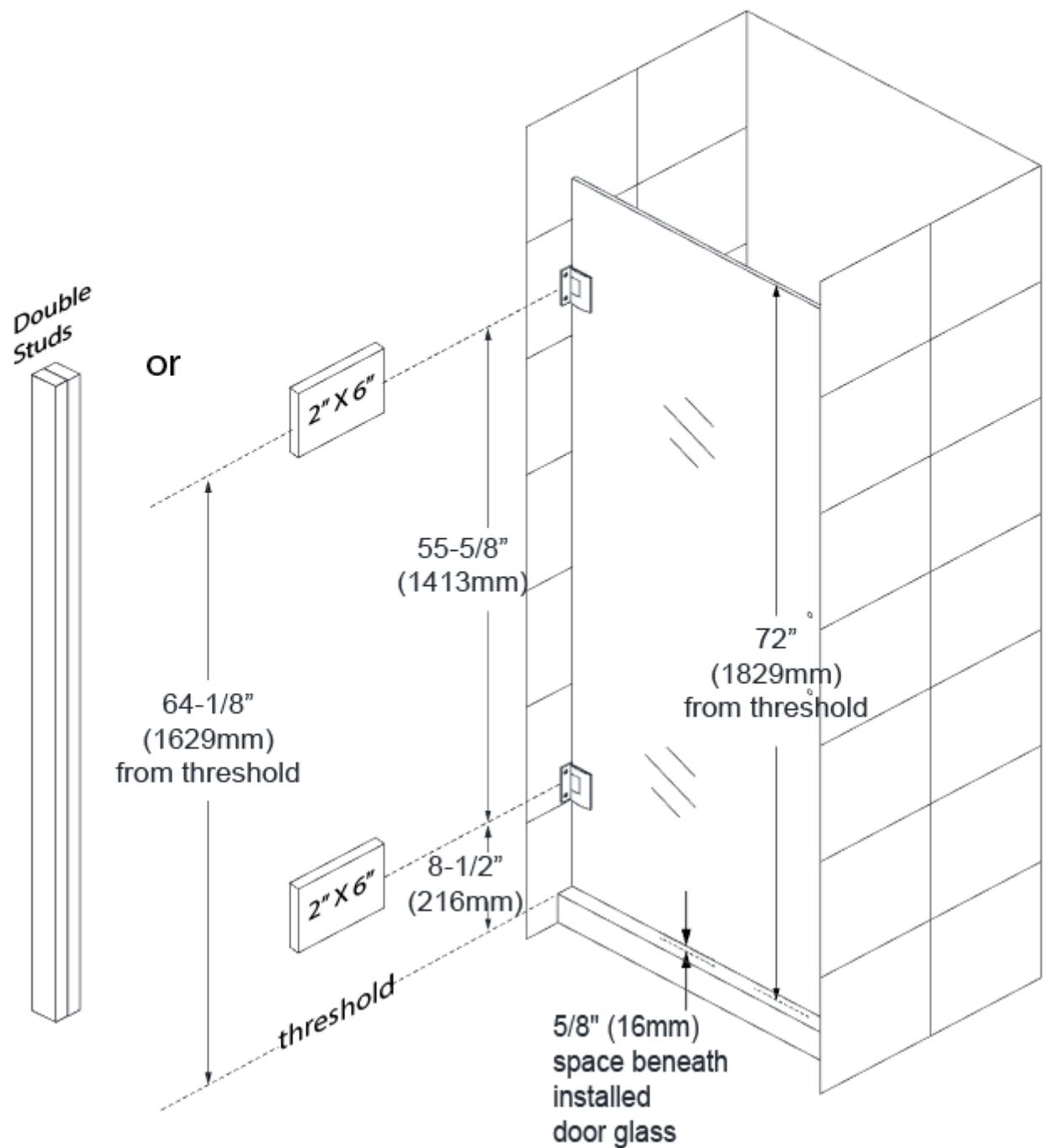
Caulk



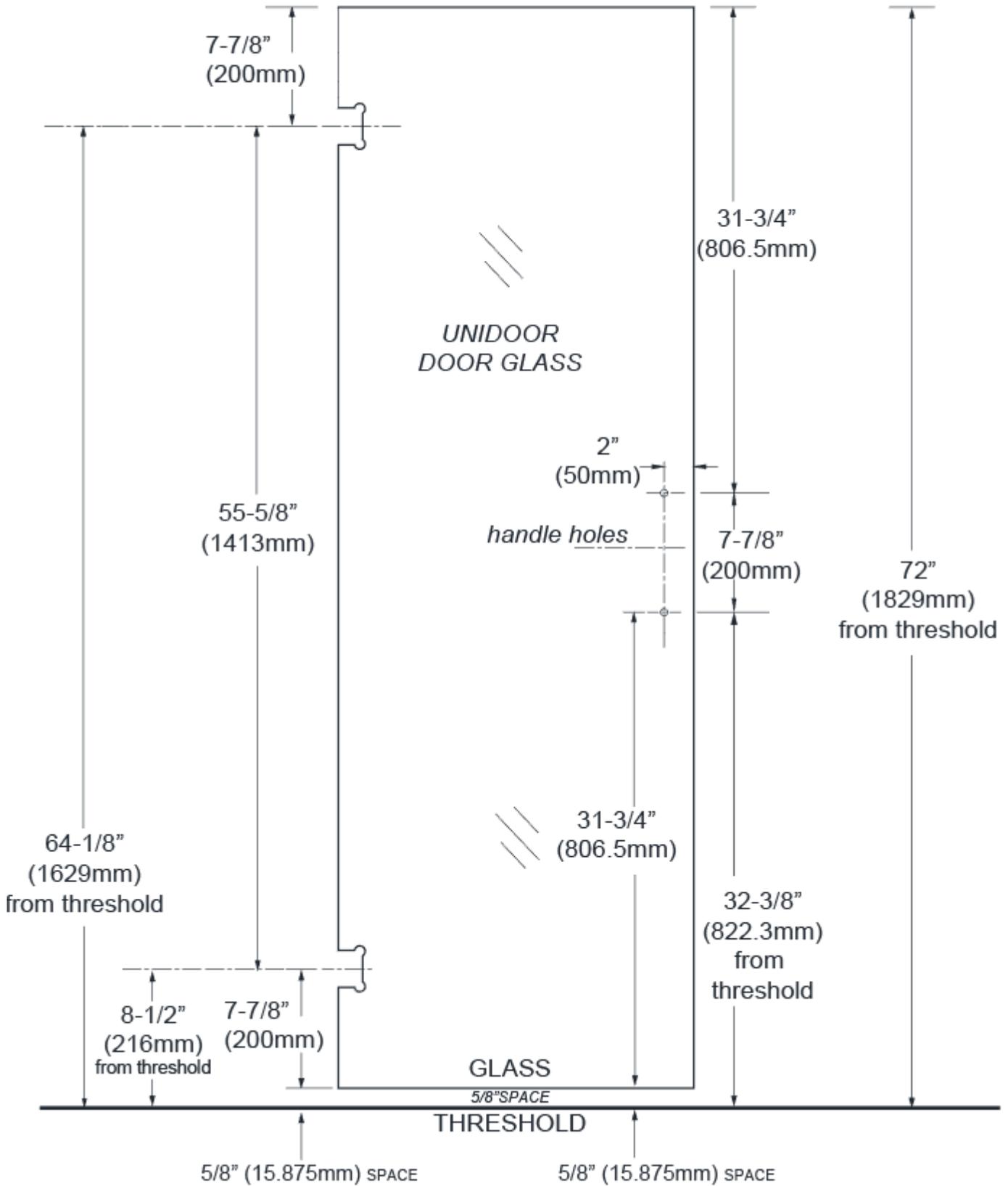
Razor Knife



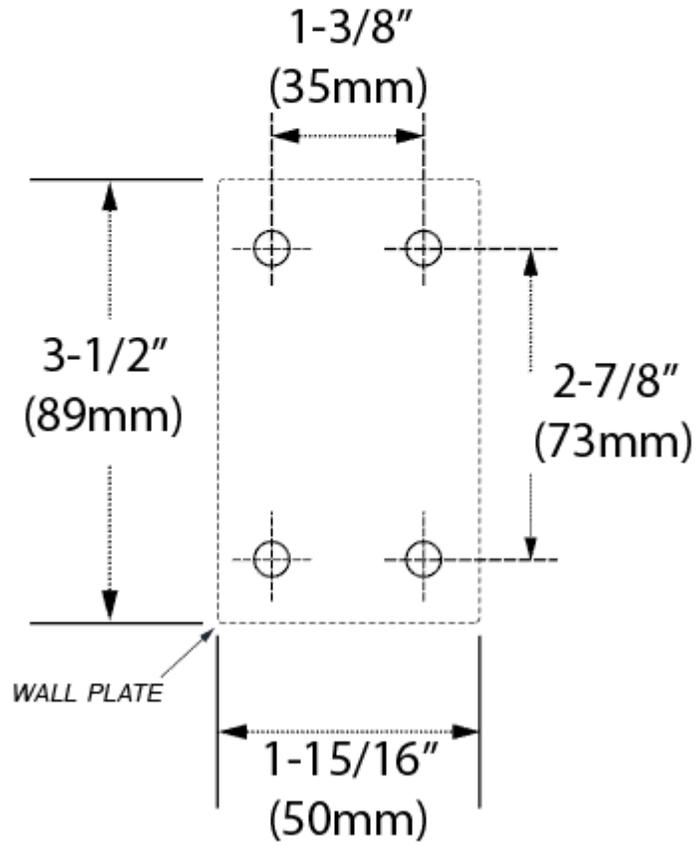
**INSTALL DOUBLE STUDS OR INSTALL 2"x6" WOOD BLOCKING BETWEEN THE STUDS WHERE THE HINGES WILL ATTACH TO THE WALL**



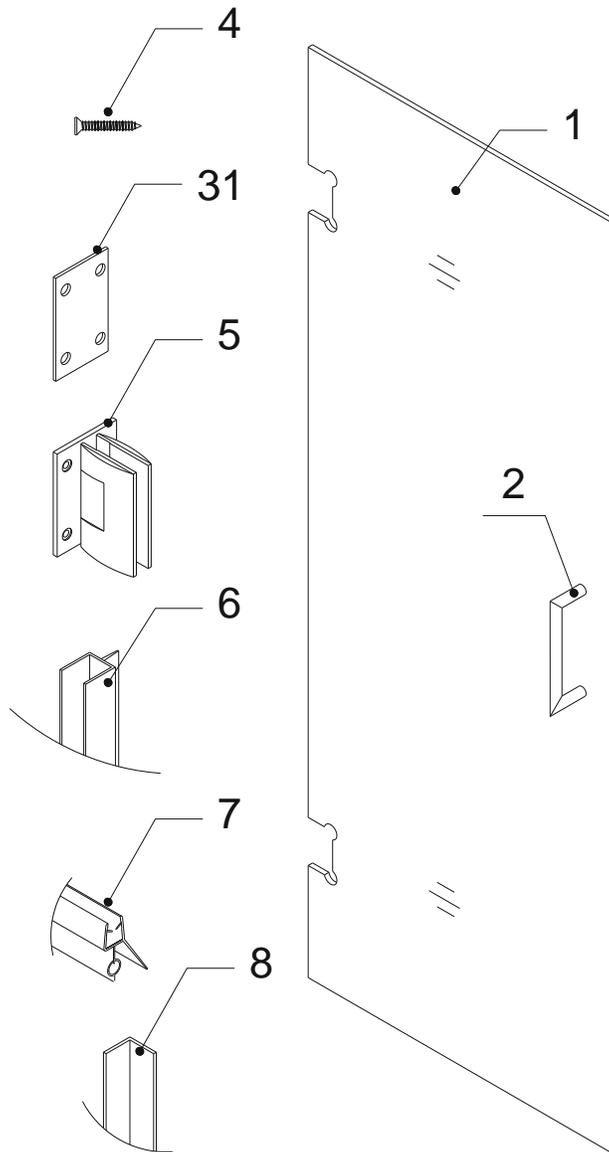
# UNIDOOR GLASS-TO-WALL HINGE AND HANDLE LOCATION



UNIDOOR GLASS-TO-WALL HINGE - HOLE ARRAY



## Detailed Diagram of Shower Door Components



### Packing List

Part#	Description	Qty	Part#	Description	Qty
01	Door glass	1pc	06	Side strip ( 3 sections to cut)	1pc
02	Handle	1pc	07	Bottom anti-water strip	1pc
04	Countersunk screw ST5×70	8pcs	08	L-shaped strip	1pc
05	Hinge with Adjustable angle	2pcs	31	PVC hinge spacer	4pcs

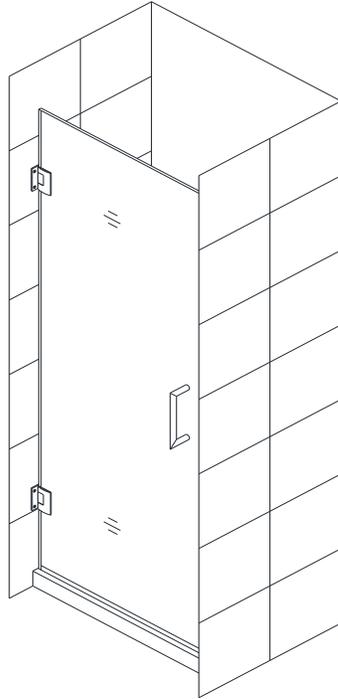
**NOTE:** Unpack your unit carefully and inspect it. Lay out and identify all parts using the detailed diagram and packing list in this manual as a reference. Before discarding the carton, check for small hardware bags that may have fallen to the bottom of the box. If any parts are damaged or missing, please contact DreamLine® for replacement.

**Part #8 "L-shaped strip" used with single door installation only.**

**NOTE:** Retain these installation instructions for future reference.

## Single Shower Door Assembly and Installation

**NOTE:** The following shower door installation instructions should be used as a general guide and prerequisite to the installation of the UNIDOOR, UNIDOORLUX and UNIDOOR PLUS models. Before you begin the installation, please check your finished opening size. Specific size information can be found on our website at [DreamLine.com](http://DreamLine.com)



### **ATTENTION:**

**This door is extremely heavy and the hinges on this door must be attached to the studs or to preinstalled 2 × 6 wood reinforcement behind the wall.**

1. Attach the **Hinges (05)** to the **Door Glass (01)** using at least one (2mm) vinyl hinge gasket per side.

See Fig. 1 for details.

### **ATTENTION:**

**Never set your glass down directly onto a tile or concrete floor.**

**Always use a piece of wood or cardboard and leave the corner pads and protective shims on the glass until it becomes necessary to remove them to protect the bottom edge and corners from damage which could lead to breakage.**

### **ATTENTION:**

**For Styles E, I, J, K & L that have return panels:**

**Please check model dimensions for proper placement of the Glass door (01) so that it will align correctly with the return panel glass.**

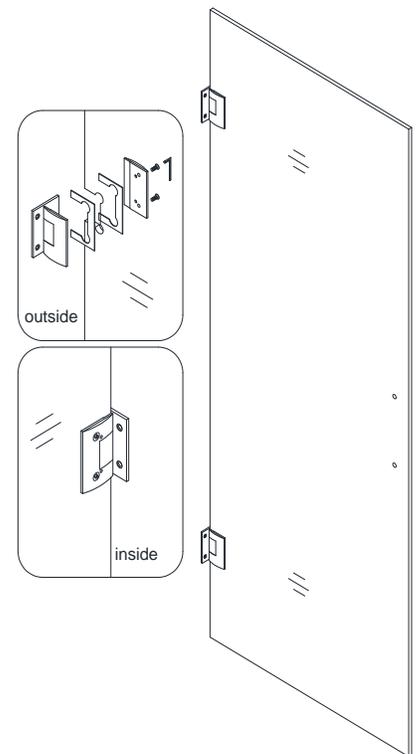


Fig. 1

2. The **Door Glass (01)** ships with four 5/8" shims attached to the top (2pcs) and bottom (2pcs). Determine the swing of your door and only remove the shims from the top of the door glass, leaving the bottom shims in place. Set the **Door Glass (01)** onto the threshold at the desired location and check for level. These 5/8" shims will leave the proper spacing at the bottom of the door glass and will ensure that the door height finishes at 72", but always confirm with a measurement. Carefully butt the door with the hinged side against the wall, adjust its position and check for plumb with a level.

**ATTENTION:**

**Check the door glass with a level to verify that it is plumb before marking the hinge positions.**

See Fig. 2 for details.

**TIP:**

**If installing the door along with panel glass, use the 72" Anti-Water strip (Inline) (19) that is packed with the panel glass as a reference to be sure that the door height will match the panel glass at 72".**

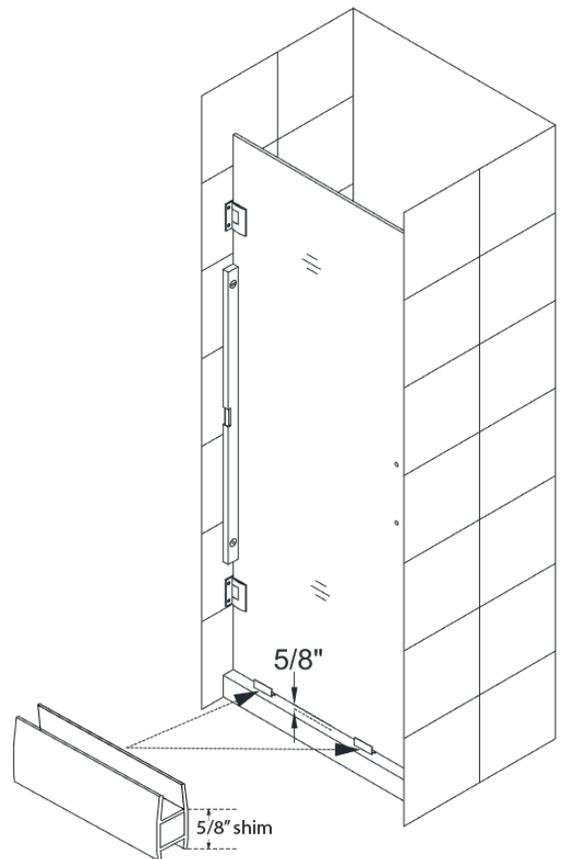


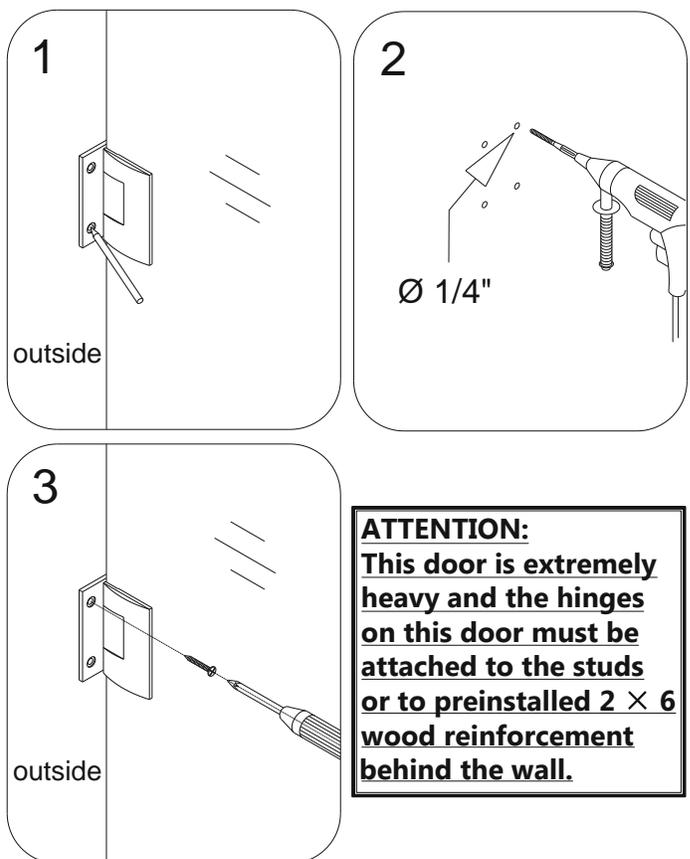
Fig. 2

3. Hold the door in place and mark the drill holes for both **Hinges (05)** on the wall. Set the door aside and drill the holes in the wall using  $\varnothing 1/4"$  drill bit.

**IMPORTANT:**

**The included PVC hinge spacers (31) are provided to compensate for minor out-of-plumb wall conditions. Use only as needed as their use could compromise the opening size of your shower. Please see Fig 4 for an installation example.**

Place the **Door Glass (01)** back onto the threshold with the 5/8" spacers and attach both hinges to the wall with only two **Countersunk screws ST5x70 (04)** on the hinge from outside of the shower. Then open the door and install the remaining screws to the inside of each hinge.



**ATTENTION:**  
**This door is extremely heavy and the hinges on this door must be attached to the studs or to preinstalled 2 x 6 wood reinforcement behind the wall.**

Fig. 3

See Fig. 3 and Fig. 4 for details.

**TIP:** The PVC hinge spacer can also be used as a template to assist with marking the hinge mounting holes.

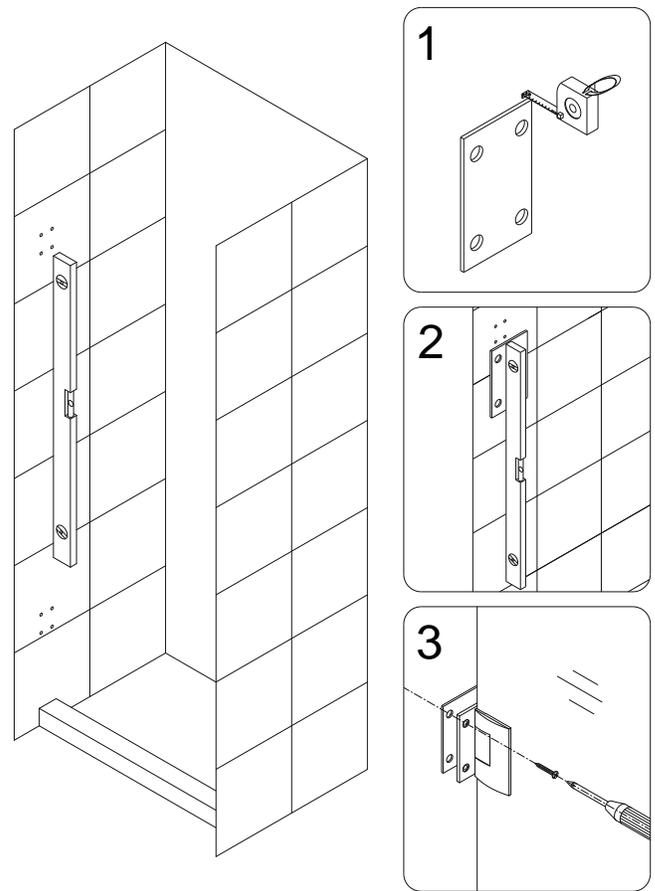


Fig. 4

**ATTENTION:**

The back plate of the hinge from inside the shower locates too close to the drilled holes in the wall and might get scratched by the long screws or screwdriver. Be careful not to scratch the hinge surface.

**(OPTIONAL)**

- Carefully remove back plates from the **Hinges (05)** and set the **Door Glass (01)** aside.

Screw in the rest of the **Countersunk screws ST5 x 70 (04)** into the wall, place the **Door Glass (01)** with the spacers back to its position and reassemble the **Hinges (05)**. Once the door glass is secure, remove the 5/8" spacers from beneath the **Door Glass (01)**.

See Fig. 5 for details.

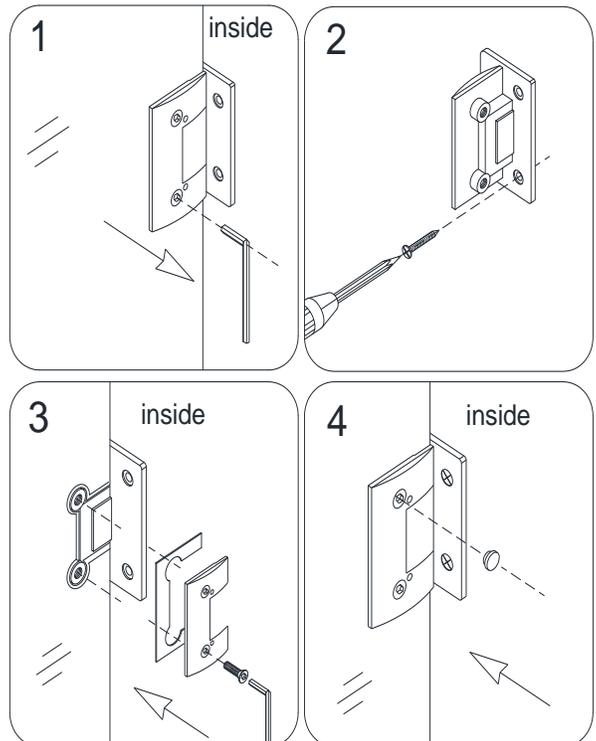
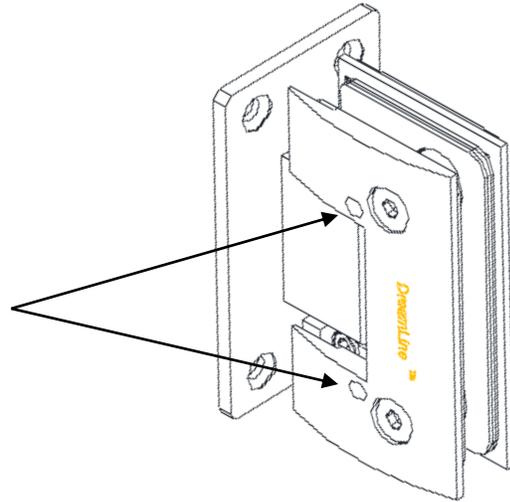


Fig. 5

## Setting the Adjustable Hinges

The Adjustable hinges are pre-set to overclose to 85° and are adjustable up to 90° after the door is installed. Once the door glass is installed, simply loosen the allen set screws and position the door to the desired closed position. While holding the door in the new closed position, retighten the allen screws and your door will now self-center to the chosen closed position.



**4a.** Make sure the door glass is plumb and the edge of the hinge is installed flush with the glass edge. Center the hinge in the glass notch and tighten the faceplate screws (Figure 5a). Be careful not to scratch the finished surfaces of the hinge during installation.

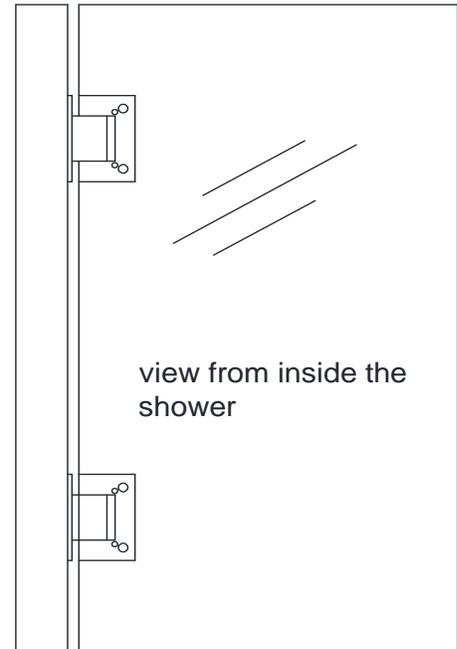


Figure 5a



**4b.** The hinges are factory set to 85 degrees.  
You can change this angle by using the adjustment screws  
on the hinge plate.  
(Figure 5b)

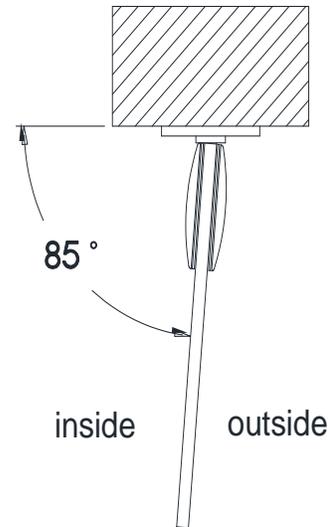


Figure 5b

**4c.** Use the supplied Allen Key to loosen the adjustment screws on the inside hinge plate, adjust the door to the desired angle (90 degrees for example) then retighten the adjustment screws (Figure 5c). Be sure that you create a tight seal with the supplied strike vinyl when the door is in the closed position.

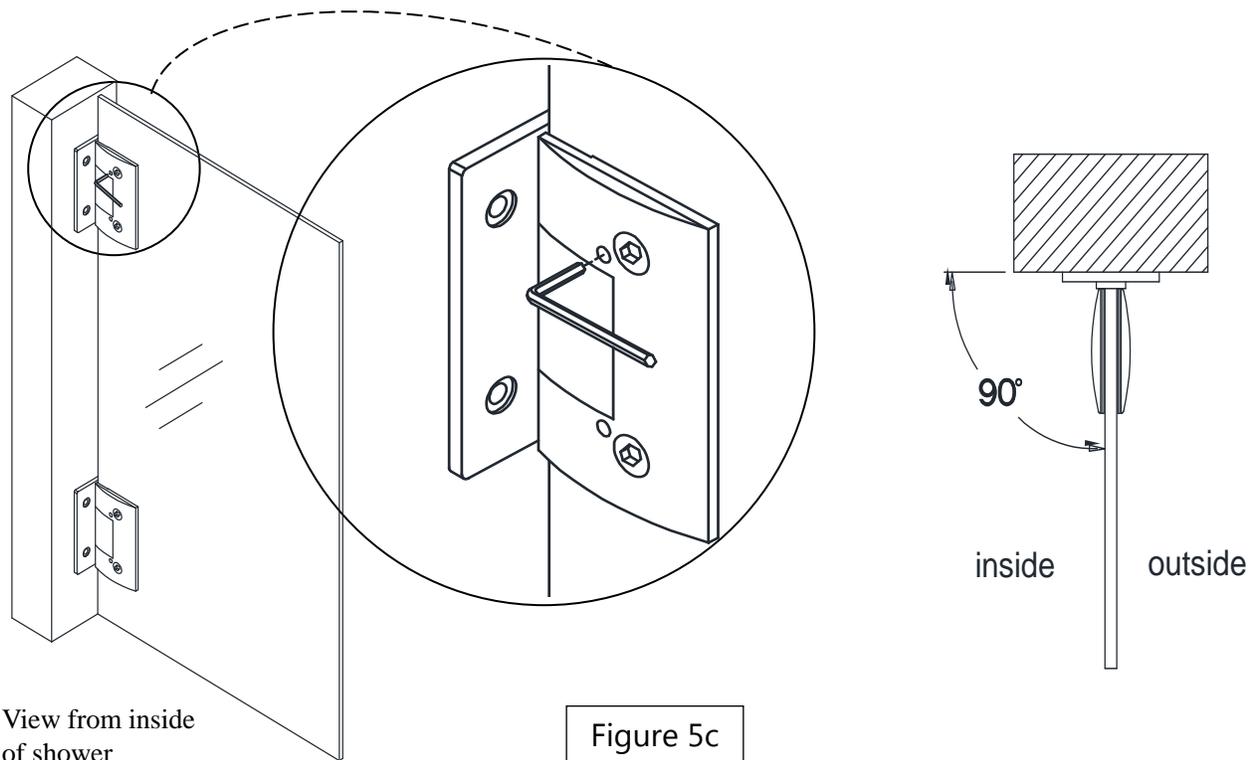


Figure 5c

5. Mount the **Handle (02)** to the **Door Glass (01)**.

See Fig. 6 for details.

**NOTE:** DO NOT attach the handle to the door glass until instructed to do so. DO NOT use the handle to lift the glass during installation. This may result in damage to the glass and/or serious injury. Always use an assistant or a professional grade glass suction cup when handling the door glass.

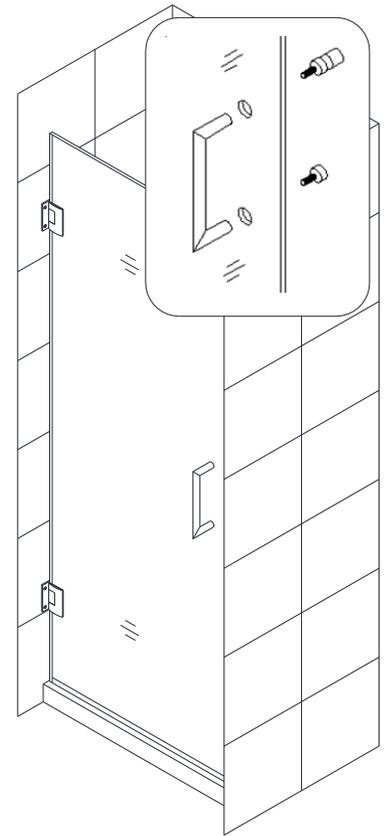


Fig. 6

6. Measure the bottom of the **Door Glass (01)** from end to end to determine the actual width of the **door**. Cut the **Bottom anti-water strip (07)** to the size of your measurement and notch  $3/8$ " of the inner side of the **Bottom anti-water strip as shown**. Press the **Bottom Anti-water strip (07)** onto the bottom edge of the **Door Glass (01)**.

**NOTICE:**

Make sure the **Bottom anti-water strip** is flush to the vertical edge of the **Handle side** of the **Door Glass**.

See Fig. 7 for details.

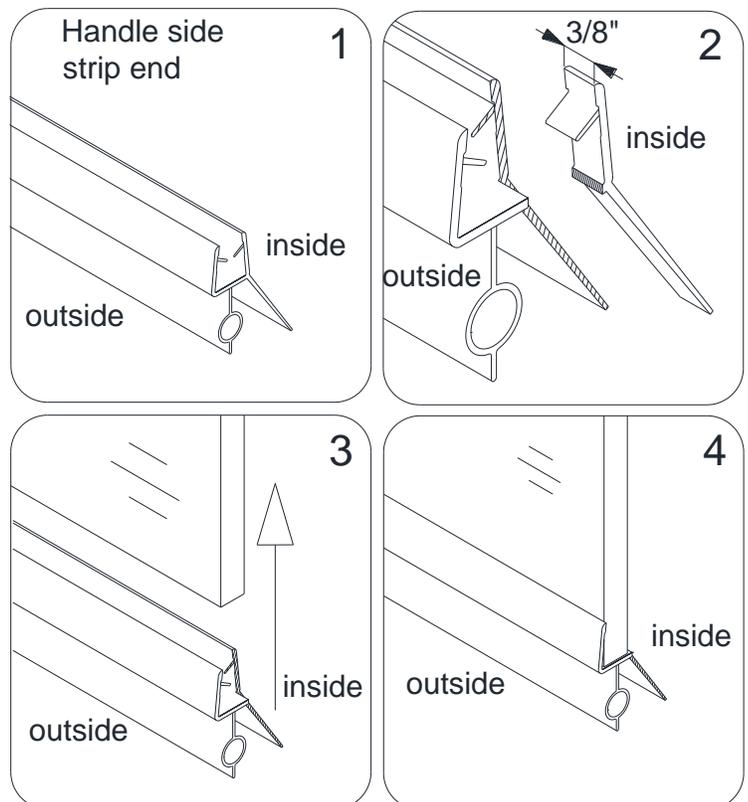


Fig. 7

7. Get three measurements:

- from the top edge of the **Door Glass (01)** to the upper body of the top **Hinge (05)** (+)  $7/8$ "
- from the lower body of the upper **Hinge** to the upper body of the bottom **Hinge** (+)  $1-3/4$ "
- from the lower body of the bottom **Hinge** to top of the installed **Bottom anti-water strip (07)** (+)  $1-7/8$ "

Cut the **Side strip (06)** according to the measurements.

Notch the cut strips to be able to slide them into the **Hinge** and around the sweep vinyl to cover the space to the wall.

Press the cut strips onto the vertical edge of the **Door Glass**.

See Fig. 8 for details

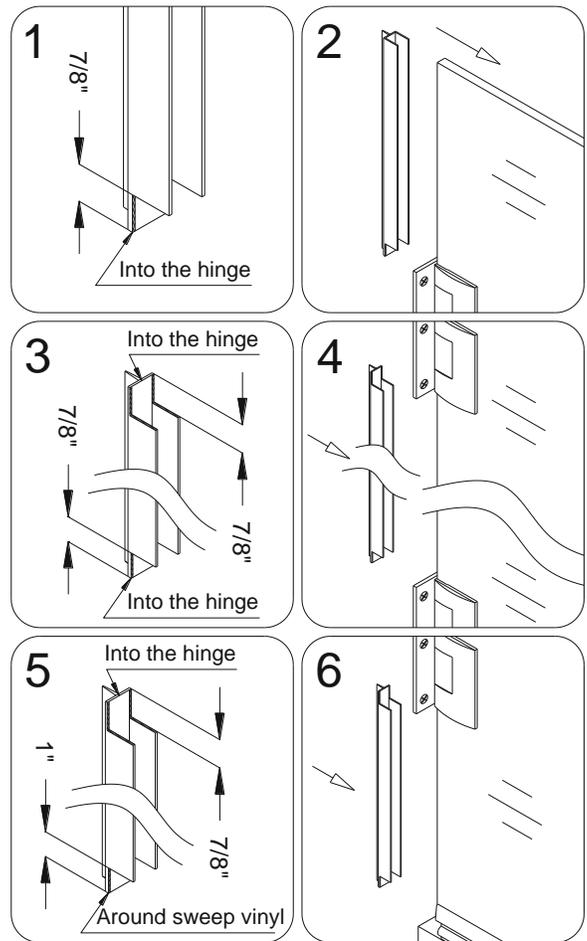


Fig. 8

**ATTENTION;**

**Prior to the next step, please be sure that the section of the wall where you need to attach the L shaped strip (08) is clean, dry and free from soap, oil and any construction debris.**

8. With the door closed place the **\*L-shaped strip (08)** on the door edge and mark its location on the wall.

**Please note that the corner of the L-shaped strip (08) should face inward.**

With the door opened, remove the tape backing from the adhesive strip and firmly press the **L shaped strip (08)** to the wall.

See Fig. 9 and Fig. 10 for details.

**\*NOTE:**

**The above procedure for installing the L-shaped strip (08) is for the Unidoor Style A single shower door installation only. If installing another model with additional panel glass, please refer to the separate glass installation manual located in the glass packaging for model specific instructions. The vinyl seals that apply to the panel glass are packaged with the panel glass.**

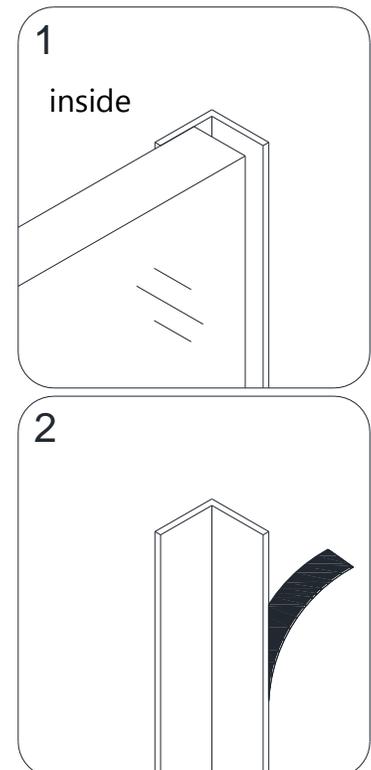


Fig. 9

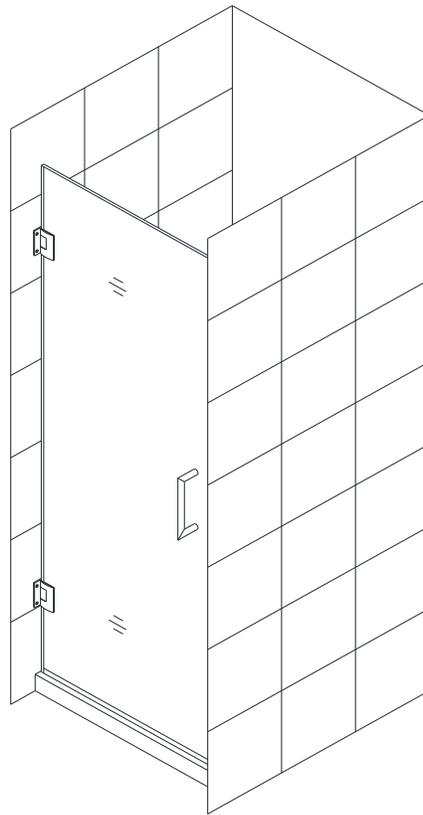


Fig. 10

**Style "A":**

**Half Etched Glass Installation**

**NOTE: This model features the half etched glass option. Hinged Left installation shown. To install for hinged Right, flip the door to the proper handing.**

**-The textured surface of the glass door should face out.**

See Fig. 11 for details.

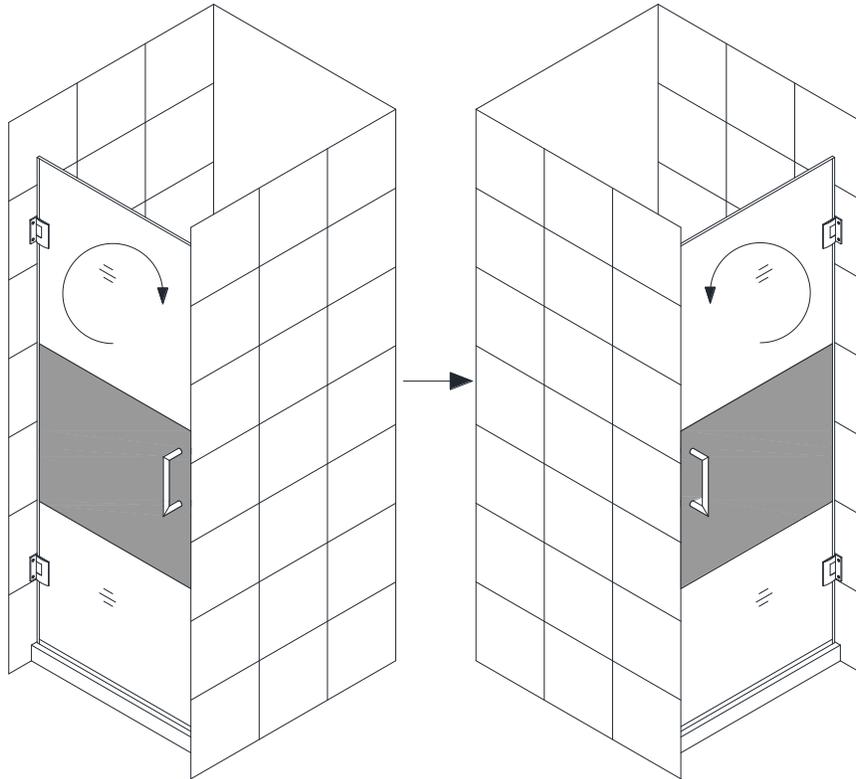


Fig. 11

## **Product Maintenance**

**BASES and BACKWALLS:** To ensure long lasting life for your acrylic back walls: wipe them off after each use with a soft cloth. To clean the acrylic back walls use non-abrasive sprays or cream based cleaners. Avoid the use of aerosol spray cleaners. Never use abrasive cleansers, metal brushes or scrapers that could scratch or dull the surface.

**GLASS:** To ensure long lasting life for your glass shower products: wipe them off after each use with a soft cloth. Rinse and wipe off the glass using either a soft cloth or a squeegee to prevent soap buildup and water spots (Hard water can etch the surface of the glass over time if left to dry). To prevent scratching the surface: never use abrasive cleaners or cleaning products that contain scouring agents. Never use bristle brushes or abrasive sponges that may scratch the surface.

**HARDWARE:** To ensure a long lasting finish: wipe off the metal parts after each use with a soft cloth. Do not use abrasive cleaners or cleaning products containing ammonia, bleach or acid. If accidentally used, rinse the surface as soon as possible to prevent damage to the finish (peeling or corrosion). After cleaning the polished finishes, rinse thoroughly and wipe dry with soft cloth. Clean stainless steel surfaces at least once a week. When applying stainless steel cleaner or polish to stainless steel hardware, work with (not across) the grain. Never use an abrasive sponge or cloth, steel wool or wired brush as these may permanently scratch the surfaces.



---

TEL: [866-731-2244](tel:866-731-2244)

FAX: [866-857-3638](tel:866-857-3638)

[DREAMLINE.COM](http://DREAMLINE.COM)

For more information on [DreamLine® Shower Doors](#) and [Enclosures](#) please visit [DreamLine.com](http://DreamLine.com)

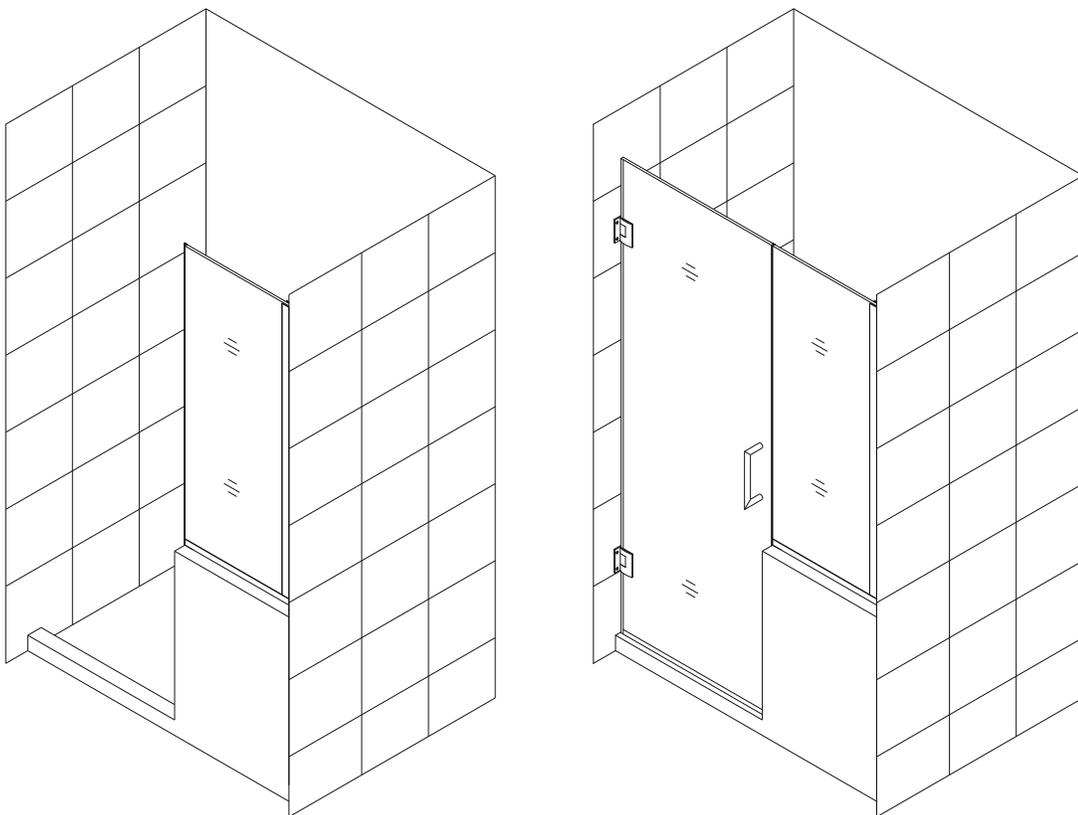


## UNIDOOR (STYLE G)

### SHOWER DOOR GLASS PANEL INSTALLATION INSTRUCTIONS

#### IMPORTANT

DreamLine® reserves the right to alter, modify or redesign products at any time without prior notice. For the latest up-to-date technical drawings, manuals, warranty information or additional details please refer to your model's web page on **DreamLine.com**



Style G

*Right side panel installation shown*

**Please read these instructions carefully before installing. If you have any questions regarding installation, please contact our technical support specialists Monday through Friday 8:00 AM -7:00 PM EST at Phone: [1-866-731-2244](tel:1-866-731-2244), Fax: [1-866-857-3638](tel:1-866-857-3638) or e-mail our technical support group at [Support@DreamLine.com](mailto:Support@DreamLine.com)**

**For more information about DreamLine® products please visit [DreamLine.com](http://DreamLine.com)**



**Model #s**

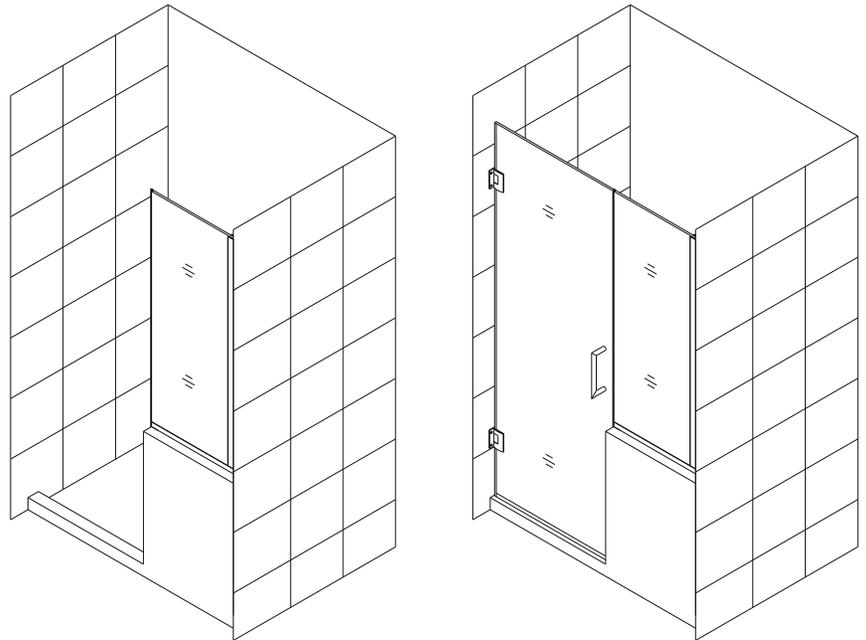
- SHDR-24232434-##
- SHDR-24232436-##
- SHDR-24233634-##
- SHDR-24233636-##
- SHDR-24242434-##
- SHDR-24242436-##
- SHDR-24243634-##
- SHDR-24243636-##
- SHDR-24273034-##
- SHDR-24273036-##
- SHDR-24273634-##
- SHDR-24273636-##
- SHDR-24283034-##
- SHDR-24283036-##
- SHDR-24283634-##
- SHDR-24283636-##
- SHDR-24293034-##
- SHDR-24293036-##
- SHDR-24293634-##
- SHDR-24293636-##
- SHDR-24303034-##
- SHDR-24303036-##
- SHDR-24303634-##
- SHDR-24303636-##

## = finish

01 – Chrome

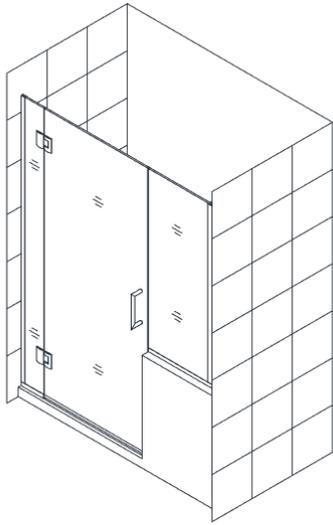
04 – Brushed Nickel

06 – Oil Rubbed Bronze

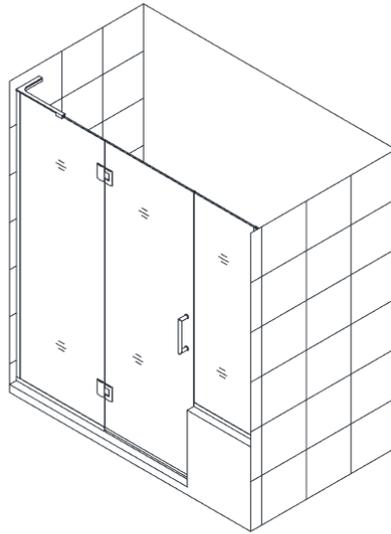


**Style G**

**ADDITIONAL MODEL CONFIGURATIONS for UNIDOOR- X GLASS-TO-GLASS HINGE DOORS**



**Style M2<sup>6</sup>**



**Style M2<sup>24</sup>**

**Model #s**

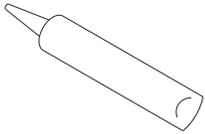
D3242436R-##	D1263036
D3242436L	D1263034
D3242434R	D1262436
D3242434L	D1262434
D3232436R	D1253636
D3232436L	D1253634
D3232434R	D1253036
D3232434L	D1253034
D1303636	D1252436
D1303634	D1252434
D1303036	D1243636
D1303034	D1243634
D1302436	D1243036
D1302434	D1243034
D1293636	D1242436
D1293634	D1242434
D1293036	D1233636
D1293034	D1233634
D1292436	D1233036
D1292434	D1233034
D1283636	D1232436
D1283634	D1232434
D1283036	
D1283034	
D1282436	
D1282434	
D1273636	
D1273634	
D1273036	
D1273034	
D1272436	

## Preparation

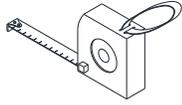
1. Prior to installation, examine all boxes and packages for shipping damage and compare the piece count with your packing slip. After opening all boxes and packages read this introduction carefully. Check that all of the needed parts are included in the package by checking off the components on the "Detailed Diagram of Shower Door Components". If the unit has been damaged, has a finishing defect, or has missing parts, please contact our customer support department within **3 business days** of the delivery date. Please note that **DreamLine® will not replace any damaged products or missing parts free of charge after 3 business days or if the product has been installed.** Feel free to contact DreamLine® if you have any questions and please provide an order number, job name or other proof of purchase to help us identify your original order.
2. If this unit is going to be installed in a new construction, install all of the required plumbing and drainage before installing the shower. **Use a competent and licensed (if required by local code) plumber for all plumbing installation.**
3. **Please note that you should consult your local building codes with questions about installation compliance standards. Building and plumbing codes may vary by location, and DreamLine® is not responsible for code compliance standards for your project and will not accept any returns.**
4. Please make sure that prior to beginning the installation, the surfaces are leveled and solid and will be able to support the total weight of the unit. Also make sure the walls are at right angles. Irregular installation surface level, radius corners or improper angle of side walls will result in serious problems for your installation. Please note that some adjustments and drilling may be necessary during the installation process.
5. Please protect all primary surfaces of the product during installation. Never set your glass down directly onto a tile floor. Leave corner protectors in place until necessary to remove them. Always use a piece of wood or cardboard to protect the bottom edge and corners of the glass prior to and during installation.
6. This unit must be installed upon a finished threshold and against finished walls.
7. This model requires that you drill into the threshold for proper installation.
8. This model has **1/2" of adjustment within the u-channel** for out-of-plumb wall conditions and overall width within the model size. Confirm the finished opening conditions before proceeding with the installation.
9. This model requires a minimum 5/8" of flat threshold space for installation.
10. **Professional installation is recommended** for this heavy glass frameless shower door.

**NOTE:** This door is reversible for right or left side panel installation. The right side panel installation is shown as an example throughout this manual. For the left side panel installation, simply begin on the opposite wall and reverse the orientation of the steps shown.

## Tools Required



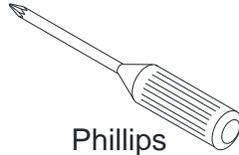
Caulk



Tape Measure



Pencil



Phillips Screwdriver



Drill bit  
(Ø=5/16")



Drill bit  
(Ø=1/8")



Level



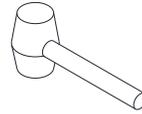
Caulk Gun



Electric Drill



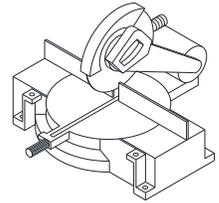
Hammer



Mallet

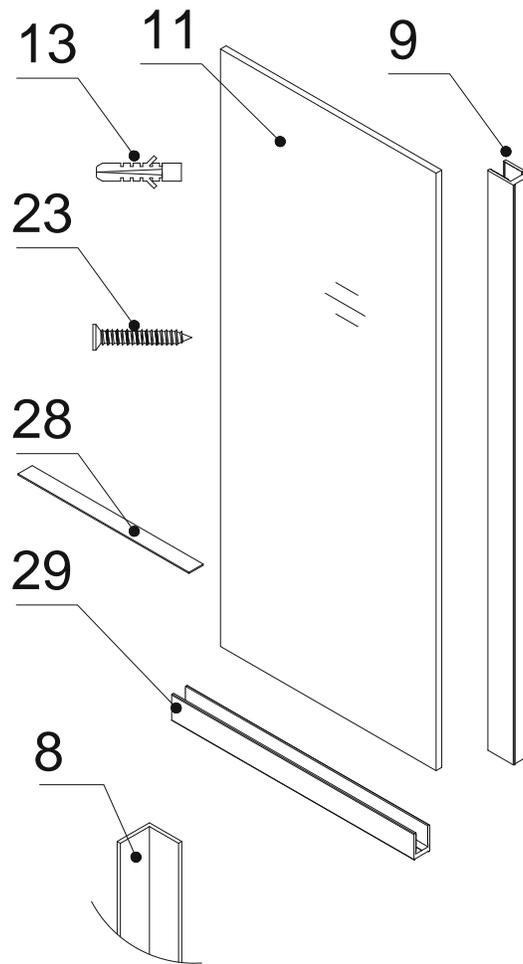


Wood



Miter saw

## Detailed Diagram of Glass Panel Components



### Packing List

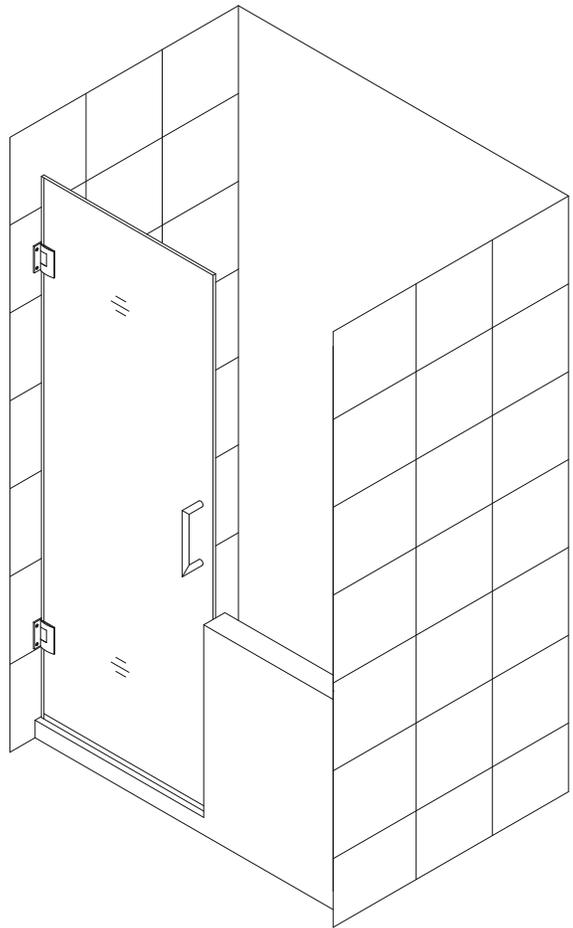
08	L-shaped strip *	1pc	23	Countersunk screw ST4.2x40	14pcs
09	U-channel 1 (76", wall profile)	1pc	28	Adjustment spacer	6pcs
11	Stationary glass	1pc	29	U-channel 2 (44", bottom profile)	1pc
13	Ø5/16" Wall anchor	14pcs			

**NOTE:** Unpack your unit carefully and inspect it. Identify all parts using the detailed diagram and packing list in this manual as a reference. Before discarding the carton, check for small hardware bags that may have fallen to the bottom of the box. If any parts are damaged or missing, please contact DreamLine® for replacement. The shipping boxes may contain extra parts not used in your model configuration.

**\* ATTENTION:** The L-shaped strip (08) can be found in the glass door packaging and is included in the above Packing List as a reference only. The L-shaped strip (08) installation is shown in **step #12 of this manual.** **NOTE:** Retain these installation instructions for future reference.

## **Style "G": 6"-34" In-Line Half Wall Stationary Panel Installation**

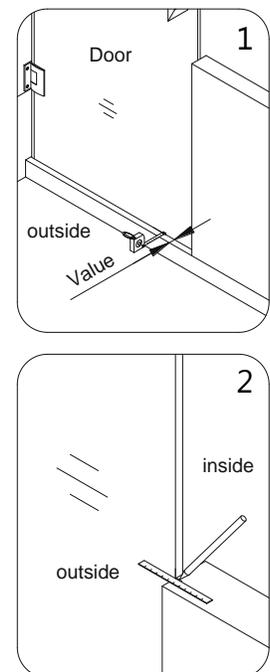
**NOTE:** The Unidoor shower door needs to be installed prior to proceeding with the following Stationary Glass installation instructions. Please see the Single Shower Door installation manual included in the door packaging for complete shower door installation instructions. Before you begin the installation, please recheck your shower opening size. Specific size information can be found on our website at [DreamLine.com](http://DreamLine.com)



**NOTE:** The Unidoor hinge is designed to over close 8°. The following procedure is recommended to ensure proper alignment of the panel glass and door.

1. Align the **Door** so that it is perpendicular to the wall and parallel to the threshold. Measure across the bottom span of the **Door** and threshold on the outside of shower and determine an equal value. Use a straight edge as guide to mark a line on the half wall ledge on the handle side for future reference.

See Fig. 1 for details.



**Fig. 1**

**NOTE:** Use parts from “Detailed Diagram of Glass Panel Components” for the Stationary Glass assembly and installation.

2. Measure the actual width and height of your **Stationary glass (11)**.

See Fig. 2 for details.

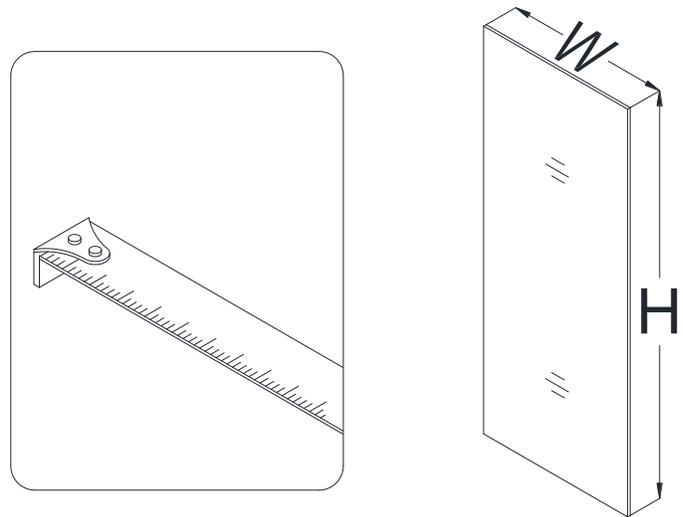


Fig. 2

3. **NOTE:** You will be doing straight cuts for this stationary panel installation.

**\*It may be necessary to remove any burrs from the cut end of the U-channels with a metal file before placing the U-channel onto the glass.**

- a) Use a miter saw to rough cut the **U-channel 2 (44", bottom profile)** to the actual width of the glass (+) 1".
- b) Use a miter saw to rough cut the **U-Channel 1 (76", wall profile) (09)** to the actual height of the glass (+) 1".

See Fig. 3 & 4 for details.

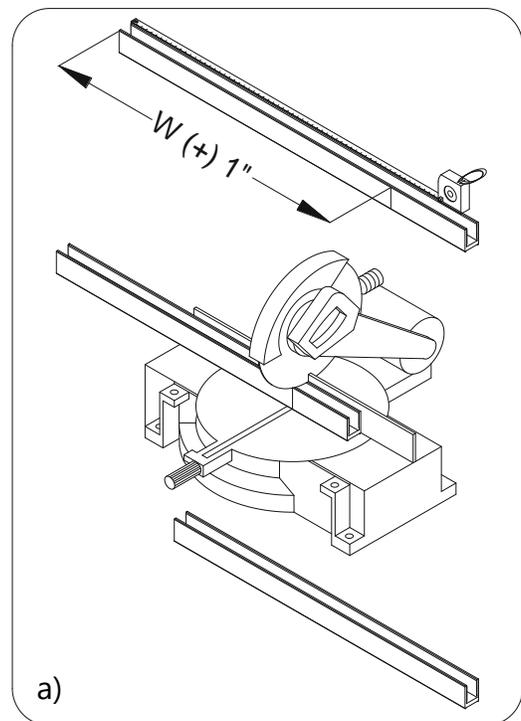


Fig. 3

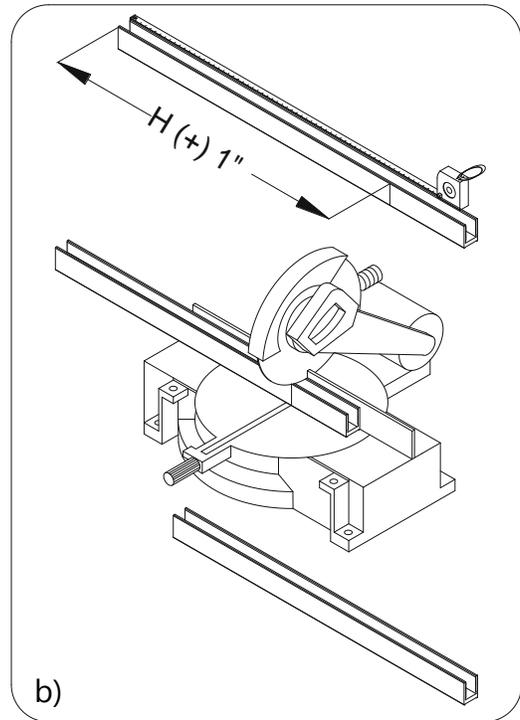


Fig. 4

4. Slip the cut **U-channel 2 (bottom profile) (29)** and **U-channel 1 (wall profile) (09)** onto the **Stationary glass (11)** in the shown locations.

With the door open, place the **Stationary glass** on the half wall ledge opposite of door. Adjust the **Stationary glass** and **U-channel 1 (wall profile)** against the wall to compensate for any out of plumb conditions ensuring that the **Stationary glass** is level vertically and **U-channel 1** is flush with the wall.

**NOTE: The exposed vertical glass edge must be flush with the finished half wall's door side face.**

Mark the **U-channel 2 (bottom profile)** end opposite of the wall at the exposed vertical glass edge.

Remove the **U-channel 2 (bottom profile)**. Leave the **U-channel 1 (wall profile)** on the **Stationary glass**. Set the **Stationary glass** aside.

Cut the **U-channel 2 (bottom profile)** at the mark. Slip the **U-channel 2 (bottom profile)** back onto the **Stationary glass**.

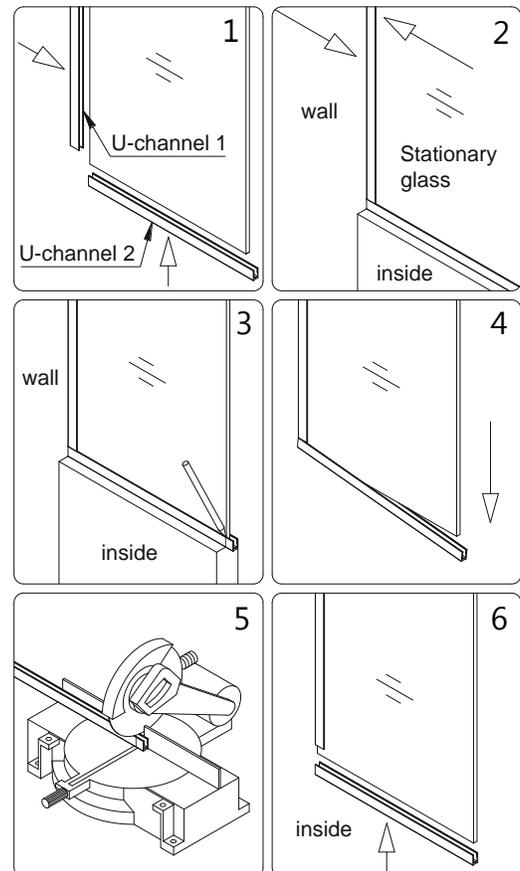


Fig. 5

See Fig. 5 for details.



- While securely holding the **Stationary glass (11)**, close the **Glass Door** and align the **Stationary glass** to it. Use the door mark on the ledge as a reference to ensure that the **Door** is perpendicular to the wall.

**NOTE: The top of the Stationary glass must be leveled with the Glass door. By traversing across the top of both the Stationary glass and door, height differences can be measured. The Adjustment spacers (28) are provided to compensate for such differences by inserting them into the U-Channel 2 (bottom profile) (29). Please make note of the spacer size that is needed for your situation.**

Ensure that the **Stationary glass** is level vertically and precisely in line with **Door**. The **U-channel 1 (wall profile) (09)** will remain flush against the wall. Outline the position of the **Stationary glass** along the inside edge of both **U-channels** on the wall and half wall ledge.

Mark the **U-channel 1 (wall profile) (09)** at the top horizontal glass edge. The height of this mark will change if spacers are needed.

See Fig. 6 & 7 for details.

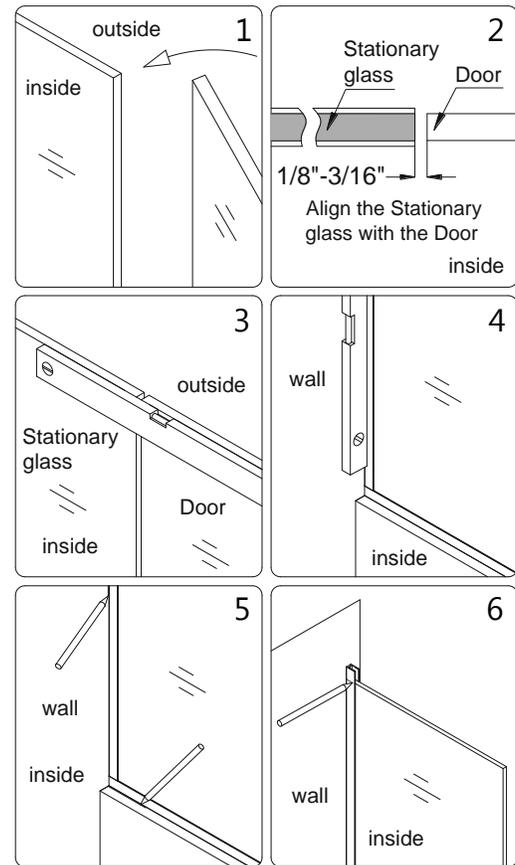


Fig. 6

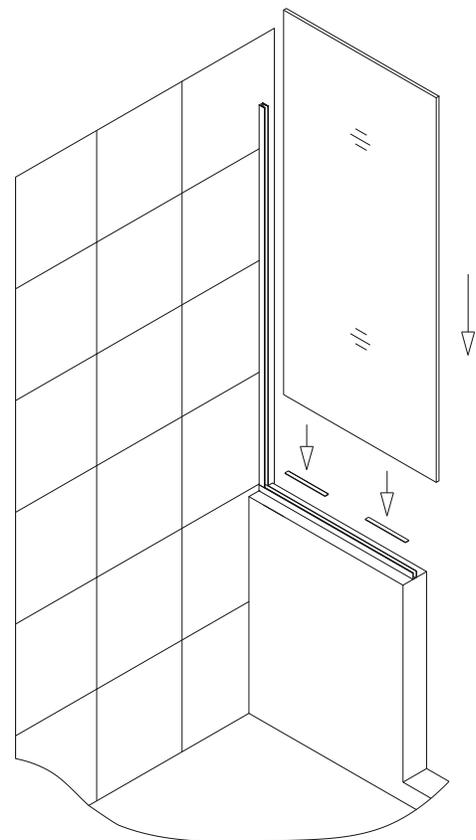


Fig. 7

6. Remove the **U-Channel 2 (bottom profile) (29)** and **U-channel 1 (wall profile) (09)** from the **Stationary glass (11)**. Carefully set the **Stationary glass** aside.

See Fig. 8 for details.

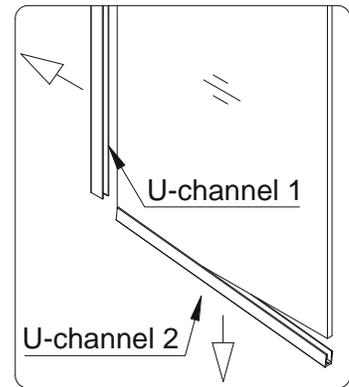


Fig. 8

7. Place the cut **U-Channel 2 (bottom profile) (29)** onto the ledge in line with the inside mark.

Mark the drill holes on the ledge through the predrilled holes in the **U-Channel 2** and drill the holes using **Ø5/16" drill bit**.

Insert the **Ø5/16" Wall anchors (13)**.

Apply waterproof silicone along the bottom surface and around the holes of the **U-Channel 2** and fasten it to the ledge with the **Countersunk screws ST4.2×40 (23)**.

**NOTE: The surface needs to be clean and free of debris before applying silicone.**

See Fig. 9 & 10 for details.

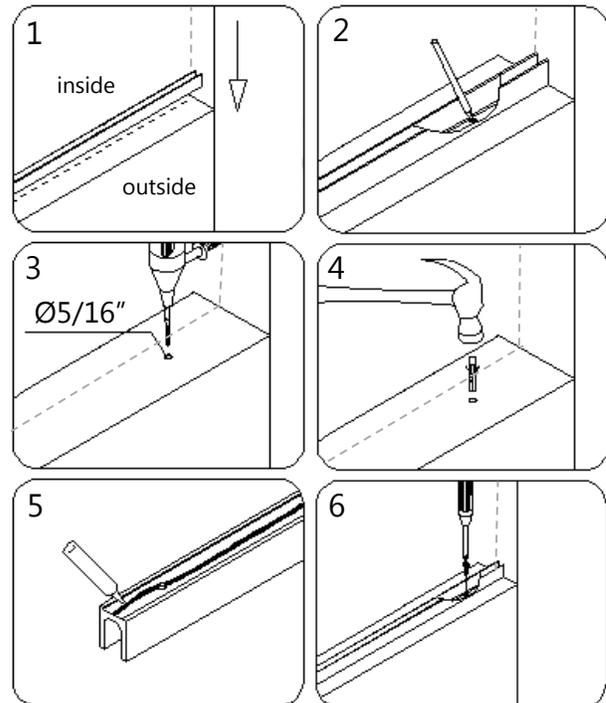


Fig. 9

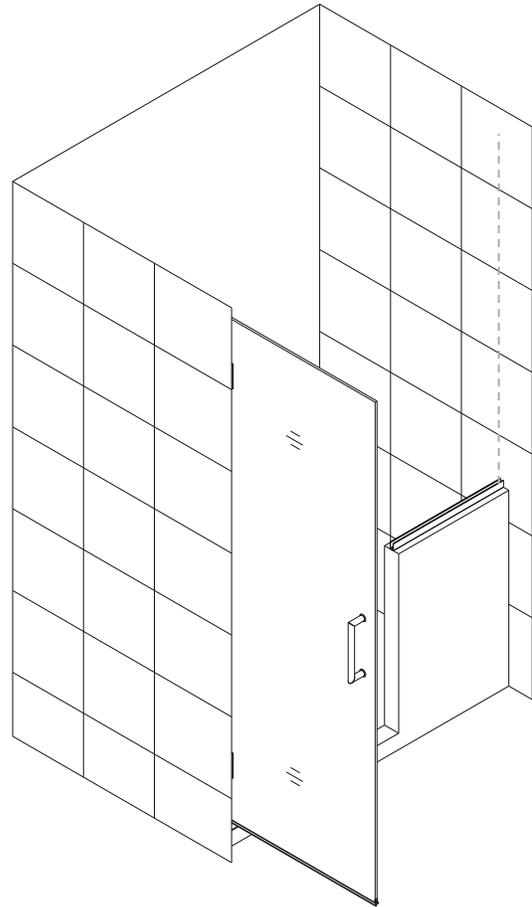


Fig. 10

8. Cut the **U-channel 1 (wall profile) (09)** at the top mark that was made in step #5. Place the **U-Channel 1 (wall profile)** on the **U-Channel 2 (bottom profile) (29)** and align vertically with the inside wall mark.

Mark the drill holes on the wall through the predrilled holes in the **U-Channel 1**.

Now drill holes in the wall using **Ø5/16 drill bit** and insert the **Ø5/16" Wall anchors (13)**.

See Fig. 11 for details.

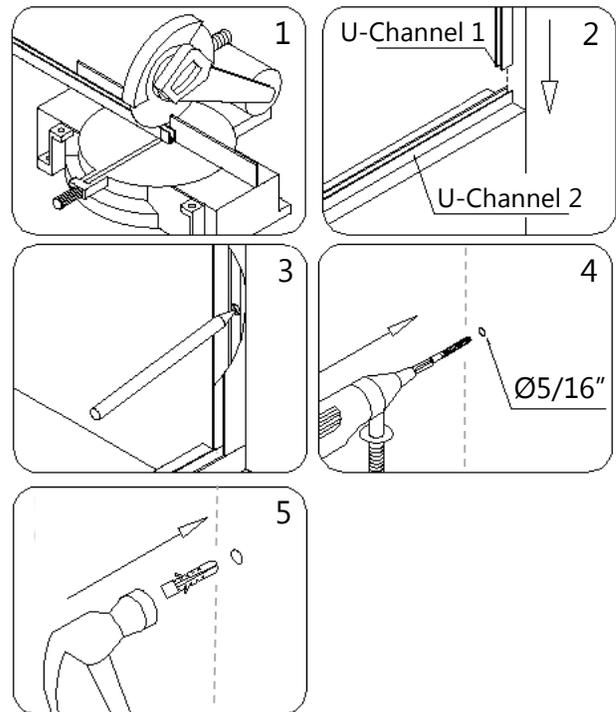


Fig. 11

9. Apply waterproof silicone along the bottom surface and around the holes of the **U-Channel 1 (wall profile) (09)**. Fasten the **U-Channel 1** to the wall with the **Countersunk screw ST4.2x40 (23)**.

Insert the provided **Adjustment Spacers (28)** into **U-Channel 2 (bottom profile) (29)** for minor adjustments if necessary.

Apply Waterproof silicone into the groove of both **U-Channels**.

**NOTE: The surface needs to be clean and free of debris before applying silicone.**

See Fig. 12 & 13 for details

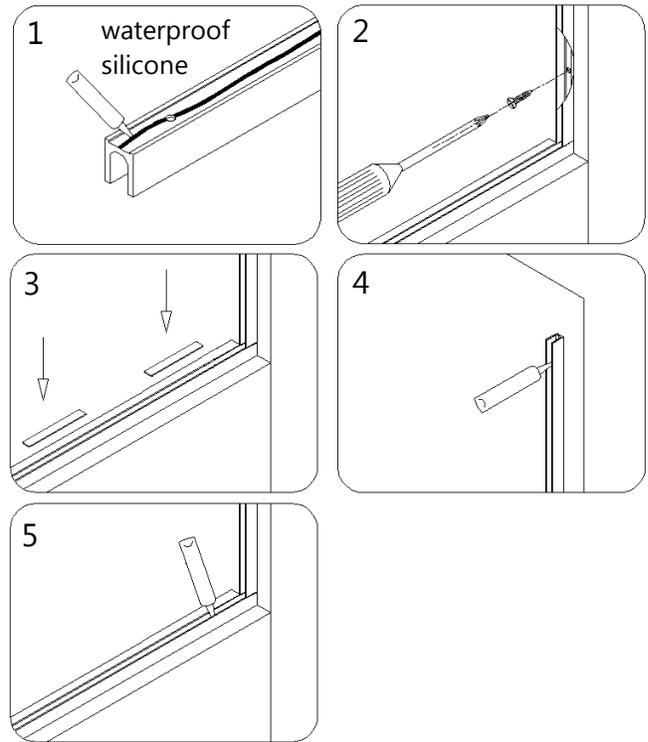


Fig. 12

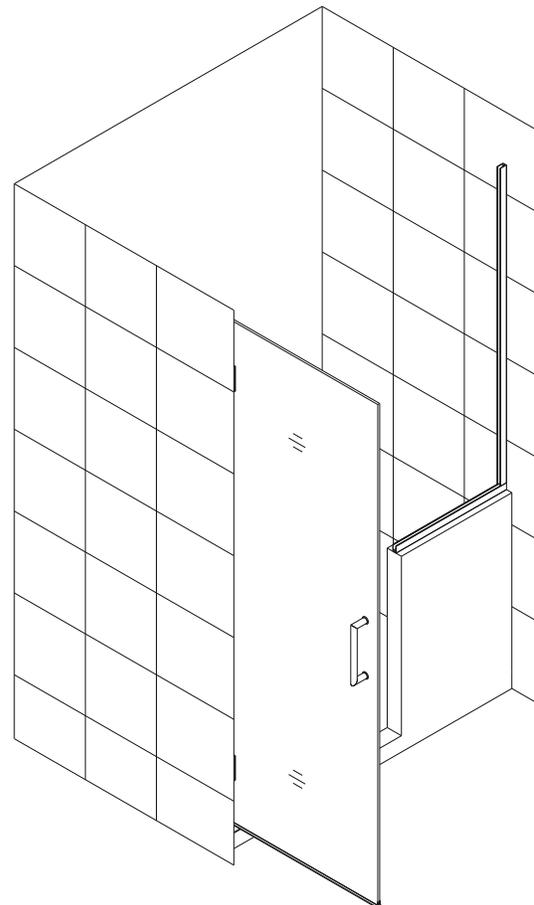


Fig. 13

10. Slide the **Stationary glass (11)** into the groove of both **U-Channels**.

Apply a bead of silicone on the open end of the **U-Channel**, and its connection. Ensure that the silicone applied to the open end is flat and smooth so that it will not interfere with the installation of the **L-shaped strip\*(08)** in step #12.

**NOTE:**

If you have difficulty sliding the **Stationary glass** into the **U-Channels**, you can slightly tap on the **Stationary glass** with a rubber mallet and a piece of wood.

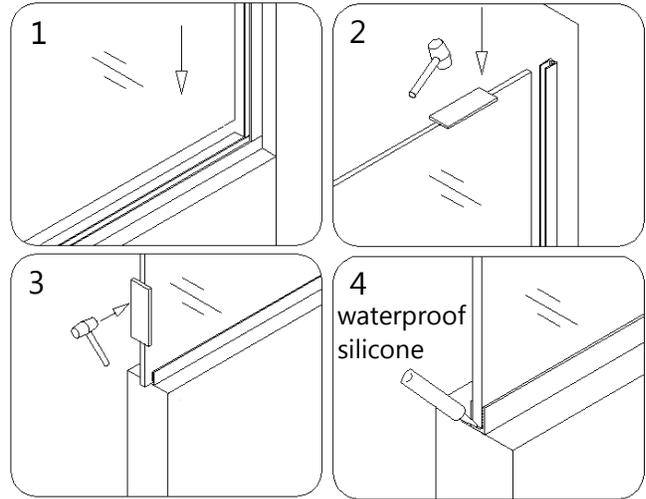


Fig. 14

See fig. 14 & 15 for details

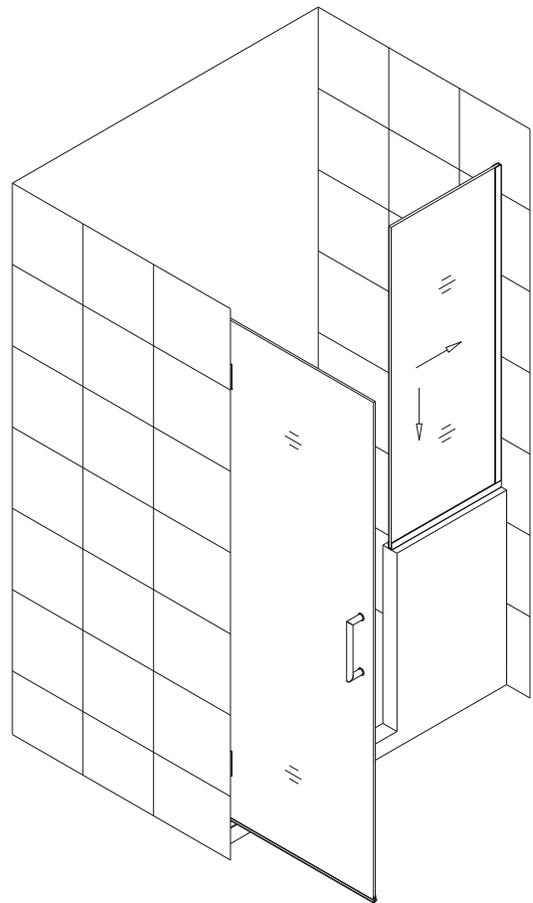


Fig. 15

11. Apply a good quality mildew resistant waterproof silicone along the connection of both **U-Channels** to the wall and ledge on the inside of shower.

See Fig. 16 for details.

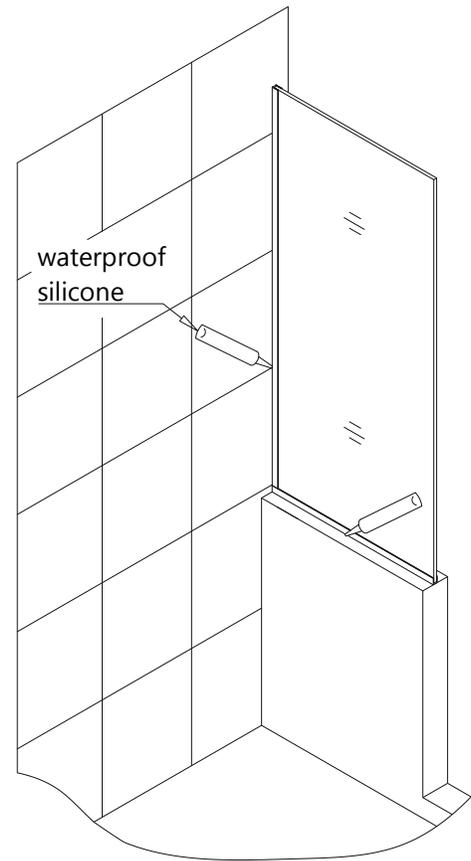


Fig. 16

**ATTENTION:**

**Prior to the next step, please be sure the part of the wall and glass edge for installation of the L-shaped strip\*(08) is clean, dry and free from soap, oil and any construction debris.**

12. Align the **L-shaped strip\*(08)** on the vertical edge of the **Stationary glass (11)** so that the door glass rests flush against it in the closed position. Ensure that the bottom of the **L-Shaped strip** makes contact with the threshold rather than aligning the top of the **strip** to the top of the **Stationary glass**. Note the position on the wall then gently remove the plastic tape from the adhesive side of the **L-shaped strip**. Firmly press it onto the vertical edge of the **Stationary glass** and to the surface of the half wall.

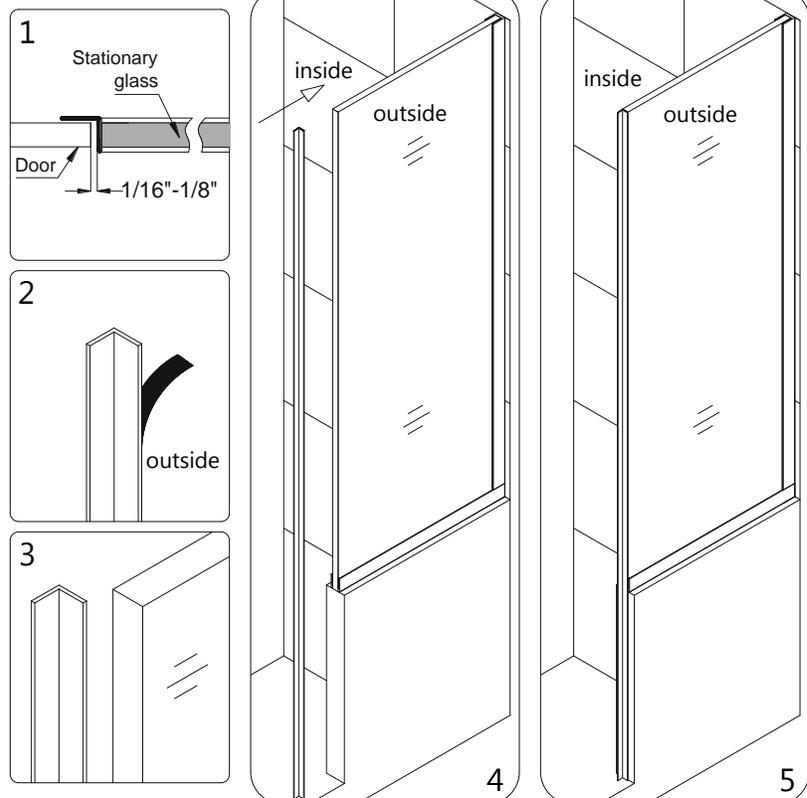


Fig. 17

See Fig. 17 for details.

## **Product Maintenance**

**BASES and BACKWALLS:** To ensure long lasting life for your acrylic back walls: wipe them off after each use with a soft cloth. To clean the acrylic back walls use non-abrasive sprays or cream based cleaners. Avoid the use of aerosol spray cleaners. Never use abrasive cleansers, metal brushes or scrapers that could scratch or dull the surface.

**GLASS:** To ensure long lasting life for your glass shower products: wipe them off after each use with a soft cloth. Rinse and wipe off the glass using either a soft cloth or a squeegee to prevent soap buildup and water spots (Hard water can etch the surface of the glass over time if left to dry). To prevent scratching the surface: never use abrasive cleaners or cleaning products that contain scouring agents. Never use bristle brushes or abrasive sponges that may scratch the surface.

**HARDWARE:** To ensure a long lasting finish: wipe off the metal parts after each use with a soft cloth. Do not use abrasive cleaners or cleaning products containing ammonia, bleach or acid. If accidentally used, rinse the surface as soon as possible to prevent damage to the finish (peeling or corrosion). After cleaning the polished finishes, rinse thoroughly and wipe dry with soft cloth. Clean stainless steel surfaces at least once a week. When applying stainless steel cleaner or polish to stainless steel hardware, work with (not across) the grain. Never use an abrasive sponge or cloth, steel wool or wired brush as these may permanently scratch the surfaces.



---

TEL: [866-731-2244](tel:866-731-2244)

FAX: [866-857-3638](tel:866-857-3638)

[DREAMLINE.COM](http://DREAMLINE.COM)

For more information on [DreamLine® Shower Doors](#) and [Enclosures](#) please visit [DreamLine.com](http://DreamLine.com)