

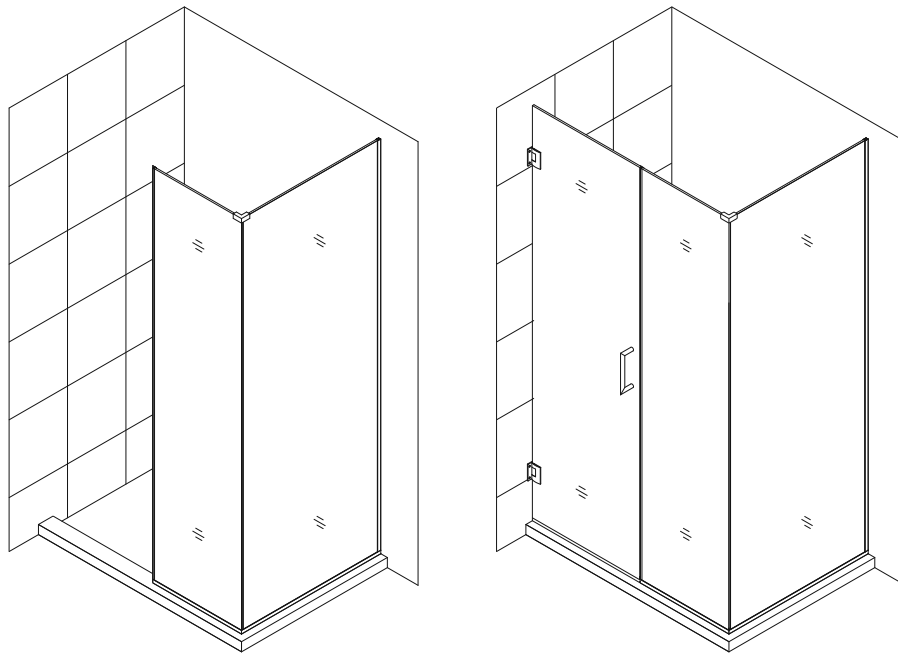


# UNIDOOR PLUS (STYLE I)

## SHOWER ENCLOSURE GLASS PANEL INSTALLATION INSTRUCTIONS

### IMPORTANT

DreamLine® reserves the right to alter, modify or redesign products at any time without prior notice. For the latest up-to-date technical drawings, manuals, warranty information or additional details please refer to your model's web page on **DreamLine.com**



**STYLE I**

*Right side panel installation shown*

**ATTENTION:** This model is also available with the Half Frosted Band glass option. Please see specific installation instructions on page 2 when applicable.

Please read these instructions carefully before installing. If you have any questions regarding installation, please contact our technical support specialists Monday through Friday 8AM – 7PM and Saturday 9AM-5PM EST at Phone: **1-866-731-2244**, Fax: **1-866-857-3638** or e-mail our technical support group at [Support@DreamLine.com](mailto:Support@DreamLine.com)

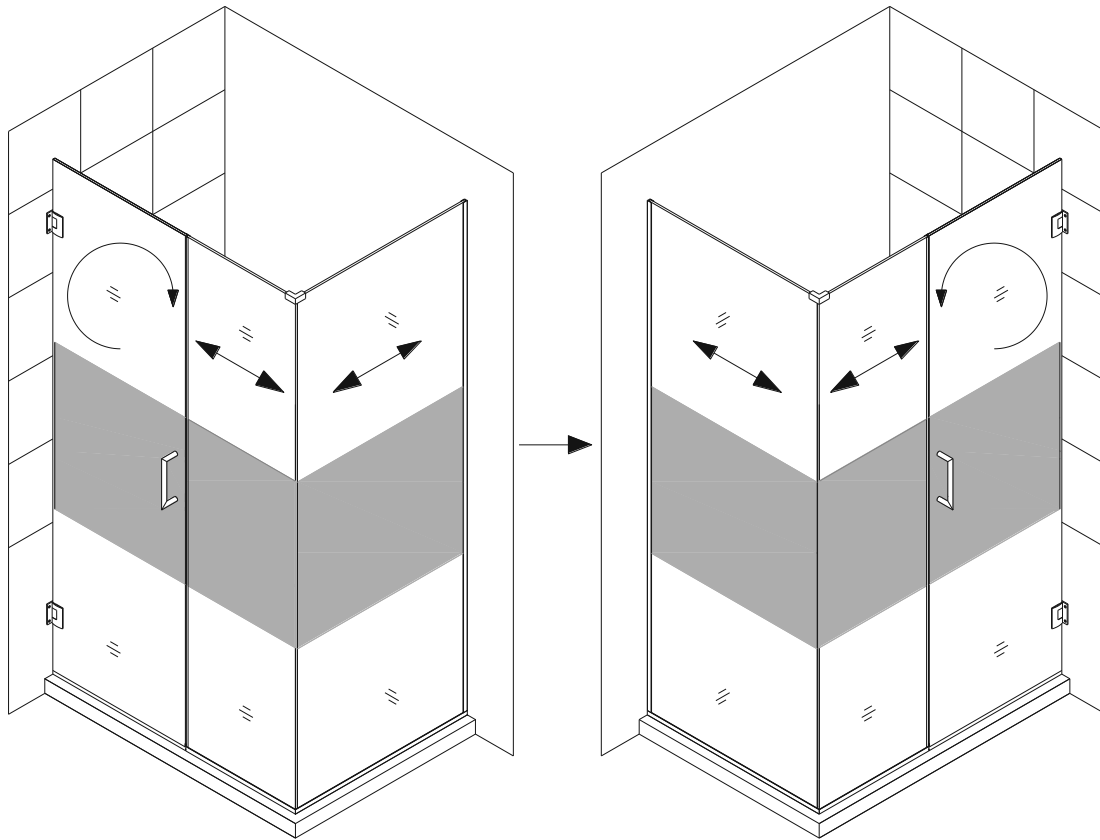
For more information about DreamLine® products please visit [DreamLine.com](http://DreamLine.com)

## **Style "I":**

## **Half Frosted Band Glass Installation**

**This model features the half frosted glass option. Hinged Left installation shown. To install for hinged Right, flip the door and panels to the proper handing.**

**NOTE: The textured surface of both the stationary glass and door glass should face outside of the shower.**



Hinged Left installation

Hinged Right installation

**Model#s:**

SHEN-24290300  
 SHEN-24290340  
 SHEN-24295300  
 SHEN-24295340  
 SHEN-24300300  
 SHEN-24300340  
 SHEN-24305300  
 SHEN-24305340  
 SHEN-24310300  
 SHEN-24310340  
 SHEN-24315300  
 SHEN-24315340  
 SHEN-24320300  
 SHEN-24320340  
 SHEN-24325300  
 SHEN-24325340  
 SHEN-24330300  
 SHEN-24330340  
 SHEN-24335300  
 SHEN-24335340  
 SHEN-24340300  
 SHEN-24340340  
 SHEN-24345300  
 SHEN-24345340  
 SHEN-24350300  
 SHEN-24350340  
 SHEN-24355300  
 SHEN-24355340  
 SHEN-24360300  
 SHEN-24360340  
 SHEN-24365300  
 SHEN-24365340  
 SHEN-24290300-HFR  
 SHEN-24290340-HFR  
 SHEN-24295300-HFR  
 SHEN-24295340-HFR  
 SHEN-24300300-HFR  
 SHEN-24300340-HFR  
 SHEN-24305300-HFR  
 SHEN-24305340-HFR  
 SHEN-24310300-HFR  
 SHEN-24310340-HFR  
 SHEN-24315300-HFR  
 SHEN-24315340-HFR  
 SHEN-24320300-HFR  
 SHEN-24320340-HFR  
 SHEN-24325300-HFR  
 SHEN-24325340-HFR  
 SHEN-24330300-HFR  
 SHEN-24330340-HFR  
 SHEN-24335300-HFR  
 SHEN-24335340-HFR  
 SHEN-24340300-HFR  
 SHEN-24340340-HFR  
 SHEN-24345300-HFR  
 SHEN-24345340-HFR  
 SHEN-24350300-HFR  
 SHEN-24350340-HFR  
 SHEN-24355300-HFR  
 SHEN-24355340-HFR  
 SHEN-24360300-HFR  
 SHEN-24360340-HFR  
 SHEN-24365300-HFR  
 SHEN-24365340-HFR

**Model#s:**

SHEN-24370300  
 SHEN-24370340  
 SHEN-24375300  
 SHEN-24375340  
 SHEN-24380300  
 SHEN-24380340  
 SHEN-24385300  
 SHEN-24385340  
 SHEN-24390300  
 SHEN-24390340  
 SHEN-24395300  
 SHEN-24395340  
 SHEN-24400300  
 SHEN-24400340  
 SHEN-24405300  
 SHEN-24405340  
 SHEN-24410300  
 SHEN-24410340  
 SHEN-24415300  
 SHEN-24415340  
 SHEN-24420300  
 SHEN-24420340  
 SHEN-24425300  
 SHEN-24425340  
 SHEN-24430300  
 SHEN-24430340  
 SHEN-24435300  
 SHEN-24435340  
 SHEN-24440300  
 SHEN-24440340  
 SHEN-24445300  
 SHEN-24445340  
 SHEN-24370300-HFR  
 SHEN-24370340-HFR  
 SHEN-24375300-HFR  
 SHEN-24375340-HFR  
 SHEN-24380300-HFR  
 SHEN-24380340-HFR  
 SHEN-24385300-HFR  
 SHEN-24385340-HFR  
 SHEN-24390300-HFR  
 SHEN-24390340-HFR  
 SHEN-24395300-HFR  
 SHEN-24395340-HFR  
 SHEN-24400300-HFR  
 SHEN-24400340-HFR  
 SHEN-24405300-HFR  
 SHEN-24405340-HFR  
 SHEN-24410300-HFR  
 SHEN-24410340-HFR  
 SHEN-24415300-HFR  
 SHEN-24415340-HFR  
 SHEN-24420300-HFR  
 SHEN-24420340-HFR  
 SHEN-24425300-HFR  
 SHEN-24425340-HFR  
 SHEN-24430300-HFR  
 SHEN-24430340-HFR  
 SHEN-24435300-HFR  
 SHEN-24435340-HFR  
 SHEN-24440300-HFR  
 SHEN-24440340-HFR  
 SHEN-24445300-HFR  
 SHEN-24445340-HFR

**Model#s:**

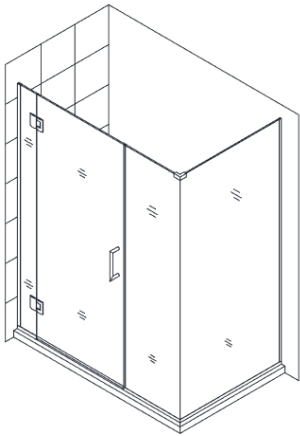
SHEN-24450300  
 SHEN-24450340  
 SHEN-24455300  
 SHEN-24455340  
 SHEN-24460300  
 SHEN-24460340  
 SHEN-24465300  
 SHEN-24465340  
 SHEN-24470300  
 SHEN-24470340  
 SHEN-24475300  
 SHEN-24475340  
 SHEN-24480300  
 SHEN-24480340  
 SHEN-24485300  
 SHEN-24485340  
 SHEN-24490300  
 SHEN-24490340  
 SHEN-24495300  
 SHEN-24495340  
 SHEN-24500300  
 SHEN-24500340  
 SHEN-24505300  
 SHEN-24505340  
 SHEN-24510300  
 SHEN-24510340  
 SHEN-24515300  
 SHEN-24515340  
 SHEN-24520300  
 SHEN-24520340  
 SHEN-24525300  
 SHEN-24525340  
 SHEN-24450300-HFR  
 SHEN-24450340-HFR  
 SHEN-24455300-HFR  
 SHEN-24455340-HFR  
 SHEN-24460300-HFR  
 SHEN-24460340-HFR  
 SHEN-24465300-HFR  
 SHEN-24465340-HFR  
 SHEN-24470300-HFR  
 SHEN-24470340-HFR  
 SHEN-24475300-HFR  
 SHEN-24475340-HFR  
 SHEN-24480300-HFR  
 SHEN-24480340-HFR  
 SHEN-24485300-HFR  
 SHEN-24485340-HFR  
 SHEN-24490300-HFR  
 SHEN-24490340-HFR  
 SHEN-24495300-HFR  
 SHEN-24495340-HFR  
 SHEN-24500300-HFR  
 SHEN-24500340-HFR  
 SHEN-24505300-HFR  
 SHEN-24505340-HFR  
 SHEN-24510300-HFR  
 SHEN-24510340-HFR  
 SHEN-24515300-HFR  
 SHEN-24515340-HFR  
 SHEN-24520300-HFR  
 SHEN-24520340-HFR  
 SHEN-24525300-HFR  
 SHEN-24525340-HFR

**Model#s:**

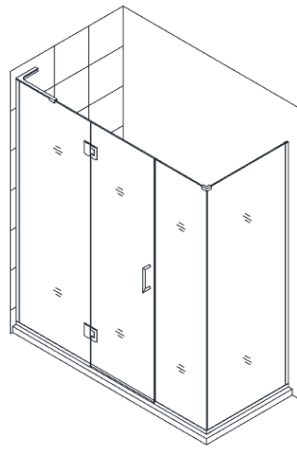
SHEN-24530300  
 SHEN-24530340  
 SHEN-24535300  
 SHEN-24535340  
 SHEN-24540300  
 SHEN-24540340  
 SHEN-24545300  
 SHEN-24545340  
 SHEN-24550300  
 SHEN-24550340  
 SHEN-24555300  
 SHEN-24555340  
 SHEN-24560300  
 SHEN-24560340  
 SHEN-24565300  
 SHEN-24565340  
 SHEN-24570300  
 SHEN-24570340  
 SHEN-24575300  
 SHEN-24575340  
 SHEN-24580300  
 SHEN-24580340  
 SHEN-24585300  
 SHEN-24585340  
 SHEN-24590300  
 SHEN-24590340  
 SHEN-24595300  
 SHEN-24595340  
 SHEN-24600300  
 SHEN-24600340  
 SHEN-24605300  
 SHEN-24605340  
 SHEN-24530300-HFR  
 SHEN-24530340-HFR  
 SHEN-24535300-HFR  
 SHEN-24535340-HFR  
 SHEN-24540300-HFR  
 SHEN-24540340-HFR  
 SHEN-24545300-HFR  
 SHEN-24545340-HFR  
 SHEN-24550300-HFR  
 SHEN-24550340-HFR  
 SHEN-24555300-HFR  
 SHEN-24555340-HFR  
 SHEN-24560300-HFR  
 SHEN-24560340-HFR  
 SHEN-24565300-HFR  
 SHEN-24565340-HFR  
 SHEN-24570300-HFR  
 SHEN-24570340-HFR  
 SHEN-24575300-HFR  
 SHEN-24575340-HFR  
 SHEN-24580300-HFR  
 SHEN-24580340-HFR  
 SHEN-24585300-HFR  
 SHEN-24585340-HFR  
 SHEN-24590300-HFR  
 SHEN-24590340-HFR  
 SHEN-24595300-HFR  
 SHEN-24595340-HFR  
 SHEN-24600300-HFR  
 SHEN-24600340-HFR

Finishes: -01 Chrome -04 Brushed Nickel -06 Oil Rubbed Bronze -09 Satin Black HFR= Half Frosted Band

**ADDITIONAL MODEL CONFIGURATIONS for UNIDOOR-X GLASS-TO-GLASS HINGE DOORS**



**Style M3<sup>6</sup>**



**Style M3<sup>24</sup>**

<b>Model#s:</b>	E1271434	E3280630L
E1230630-##	E12714530	E3280630R
E1230634	E12714534	E3280634L
E12306530	E1281430	E3280634R
E12306534	E1281434	E32806530L
E1233030	E1292230	E32806530R
E1233034	E1292234	E32806534L
E12330530	E12922530	E32806534R
E12330534	E12922534	E3290630L
E1240630	E1302230	E3290630R
E1240634	E1302234	E3290634L
E1243030	E13022530	E3290634R
E1243034	E13022534	E32906530L
E1251430	E3270630L	E32906530R
E1251434	E3270630R	E32906534L
E12514530	E3270634L	E32906534R
E12514534	E3270634R	E3300630L
E1261430	E32706530L	E3300630R
E1261434	E32706530R	E3300634L
E12614530	E32706534L	E3300634R
E12614534	E32706534R	
E1271430		

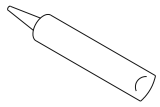
Finishes: -01 Chrome -04 Brushed Nickel -06 Oil Rubbed Bronze -09 Satin Black HFR= Half Frosted Band

## Preparation

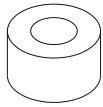
1. Prior to installation, examine all boxes and packages for shipping damage and compare the piece count with your packing slip. After opening all boxes and packages read this introduction carefully. Check that all of the needed parts are included in the package by checking off the components on the "Detailed Diagram of Shower Door Components". If the unit has been damaged, has a finishing defect, or has missing parts, please contact our customer support department within **3 business days** of the delivery date. Please note that **DreamLine® will not replace any damaged products or missing parts free of charge after 3 business days or if the product has been installed.** Feel free to contact DreamLine® if you have any questions, and please provide an order number, job name or other proof of purchase to help us identify your original order.
2. **Please note that you should consult your local building codes with questions on installation compliance standards. Building and plumbing codes may vary by location, and DreamLine is not responsible for code compliance standards for your project and will not accept any returns.**
3. If this unit is going to be installed in new construction, please install all of the required plumbing and drainage before installing the shower. **Use a competent and licensed (if required by local code) plumber for all plumbing installation.**
4. Prior to the installation, please ensure that the installation surface is level and solid and will be able to support the total weight of the unit. Also make sure that the walls are plumb. Depending on the type of unit you are installing, some adjustments in leveling may be possible. However, irregular installation, surface level or out of square conditions can result in serious problems for your installation. Please note that some adjustments and drilling may be necessary. Please protect all primary surfaces of the product during installation. **Never set your glass down directly onto a tile floor.** Always use a piece of wood or cardboard to protect the bottom edge and corners of the glass.
5. **Note: The installation of this unit requires that you drill down into the threshold.**
6. **This model requires a minimum 5/8" of flat threshold space for installation.**
7. **This model has 1/2" of adjustment within the u-channel on the stationary panel side for out-of-plumb wall conditions and overall width within the model size. Confirm the finished opening conditions before proceeding with the installation.**
8. **Professional installation recommended.**

**NOTE:** This model is reversible for left or right hand installation. This manual will show the right side panel installation. For a left side panel installation, simply begin on the opposite wall and reverse the orientation of the parts as necessary.

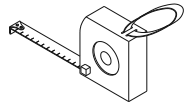
## Tools Required



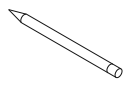
Caulk



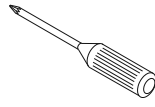
Painters Tape



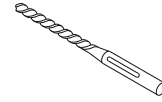
Tape Measure



Pencil



Phillips Screwdriver



Drill bit (Ø=5/16")



Drill bit (Ø=1/8")



Level



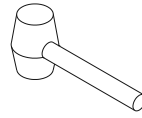
Caulk Gun



Electric Drill



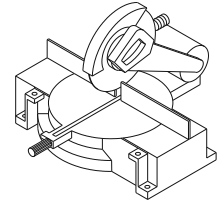
Hammer



Mallet

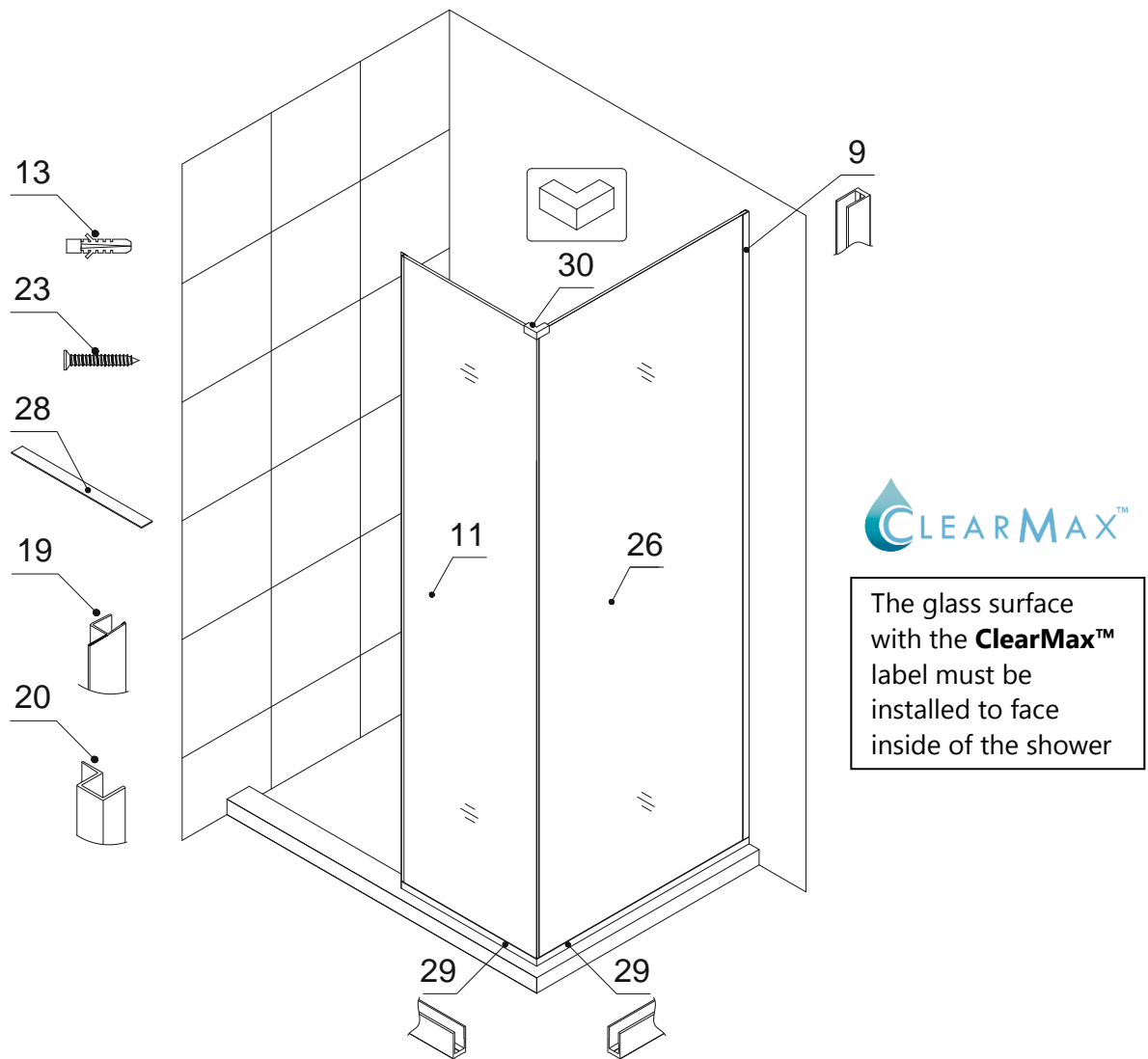


Wood



Miter saw

## Detailed Diagram of Glass Panel Components



**CLEARMAX™**

The glass surface with the **ClearMax™** label must be installed to face inside of the shower

### Packing List

09	U-channel 1 (76", wall profile)	1pc	23	Countersunk screw ST4.2x40	14pcs
11	Stationary glass	1pc	26	Return panel glass	1pc
13	Ø5/16" Wall anchor	14pcs	28	Adjustment Spacer	6pcs
19	Anti-Water strip (inline panel)	1pc	29	U-channel 2 (44", bottom profile)	2pcs
20	Anti-Water strip (enclosure) *	1pc	30	90° Corner Bracket	1pc

**NOTE:** Unpack your unit carefully and inspect it. Lay it out and identify all parts using the detailed diagram and packing list in your manual as a reference. Before discarding the carton, check for small hardware bags that may have fallen to the bottom of the box. If any parts are damaged or missing, please contact DreamLine® for replacement. The shipping boxes may contain extra parts not used in your model configuration.

**NOTE:** Retain these installation instructions for future reference.

**\* ATTENTION: Anti-Water strip (enclosure) (20) used for 30" - 34" return stationary panel Installation (STYLE L) only.**





2. Please mark measurement lines on the wall and threshold for the **Glass Door** and **U-channel** according to the size of your model.

You will need to use the **Product Width** values determined in step #1 in Size Table A. **Please Note** that these dimensions are nominal dimensions and not actual glass sizes.

**NOTE:** M and L dimensions are from the finished wall to the outside of the U-channel as shown in Fig. 1.

M =	Door	+	Panel	-	1/8"
L =	Return Panel	+	7/16"		

Size Table A

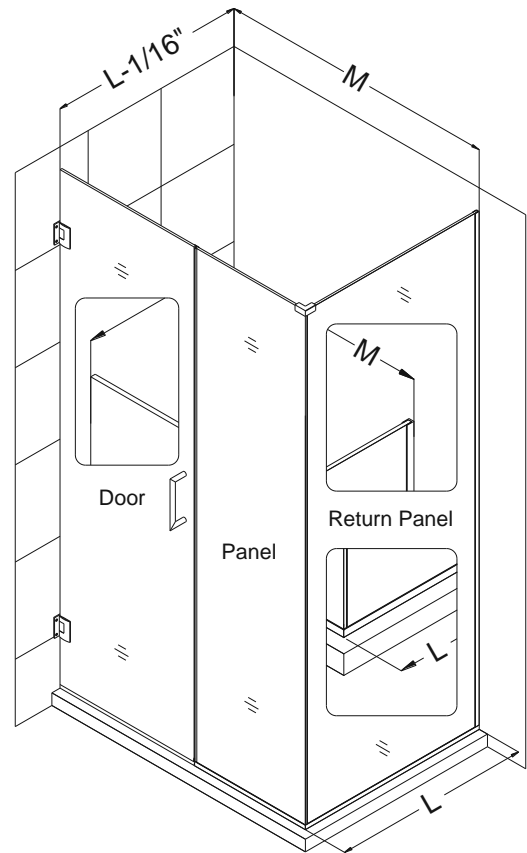


Fig. 1

**NOTE:** The Unidoor hinge is factory set to over close 8°. The following procedure is recommended to ensure proper alignment of the panel glass and door.

3. Align the **Door** so that it is perpendicular to the wall and parallel to the threshold. Measure across the bottom span of the **Door** and threshold on the outside of shower and determine an equal value.

Mark a line on the threshold base on the handle side to assist with aligning the inline panel glass.

See Fig. 2 for details.

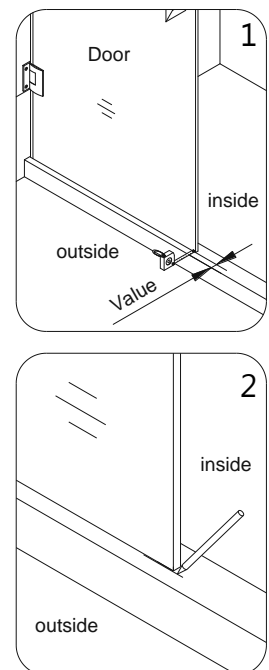


Fig. 2

4. Measure the actual width of your **Return panel glass (26)** panel.

**NOTE: You will be doing straight and 45° cuts for this enclosure installation.**

**\*All 45° cuts are from the outside dimension. (tip to tip)**

**\*It may be necessary to remove any burrs from the cut end of the U-channels with a metal file before placing the U-channel onto the glass.**

Use a miter saw to rough straight cut one of the **U-channel 2 (44", bottom profiles) (29)** to the actual width of the glass (+) 1-1/4".

See Fig. 3 & 4 for details.

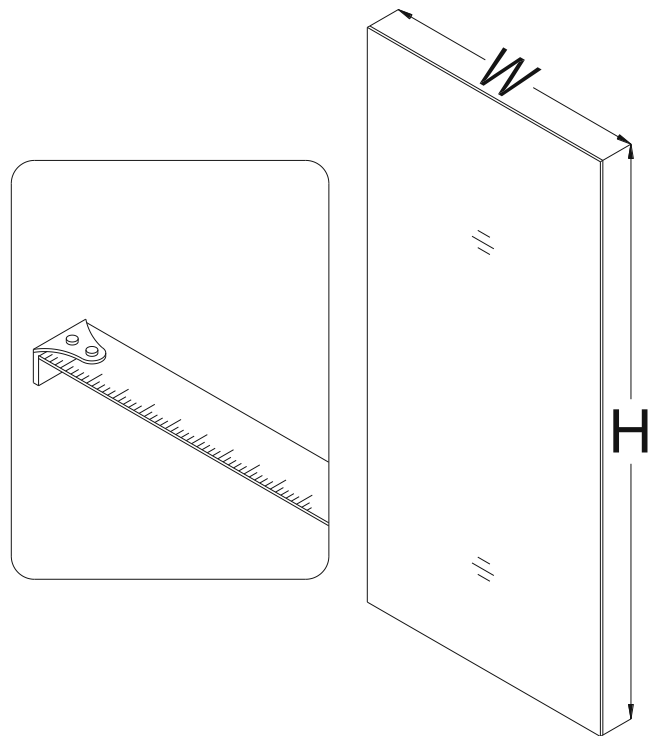


Fig. 3

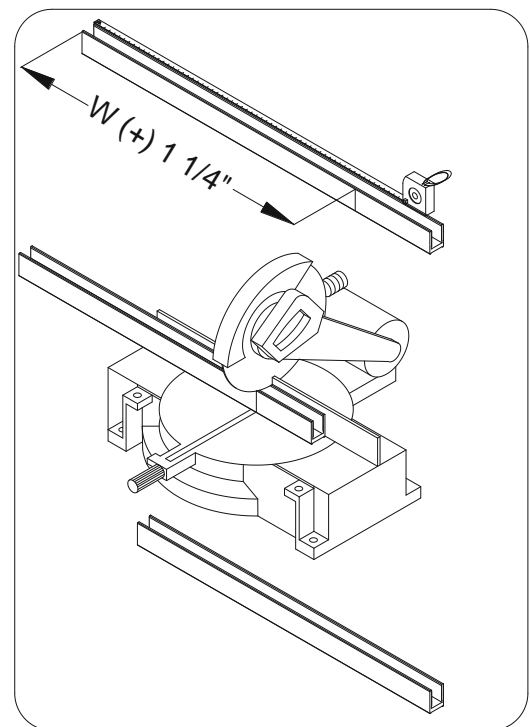


Fig. 4

5. Slip the cut **U-channel 2 (44", bottom profile) (29)** and uncut **U-channel 1 (76", wall profile) (09)** onto the **Return panel glass (26)** in the shown locations.

Insert three to four 2" pieces of the **Adjustment spacer (#28)** into the **bottom u-channel (#29)** as necessary to level the panel glass. (Fig.5.1)

With the door open, place the **Return panel glass** on the threshold adjacent to door and in line with the wall mark. Adjust the **Return panel glass** and **U-channel 1 (wall profile)** against the wall to compensate for any out of plumb conditions ensuring that the **Return panel glass** is level vertically and **U-channel 1** is flush with the wall.

Mark the **U-channel 2 (bottom profile)** end opposite of the wall at the exposed vertical glass edge.

Remove the **U-channel 2 (bottom profile)**. Leave the **U-channel 1 (wall profile)** on the **Return panel glass**. Set the **Return panel glass** aside.

Cut the **U-channel 2 (bottom profile)** 45° to the mark (+) 1/2". The end facing the wall will remain straight.

Slip the **U-channel 2 (bottom profile)** back onto the **Return panel glass** and set the **Return panel glass** aside.

See Fig. 5 for details.

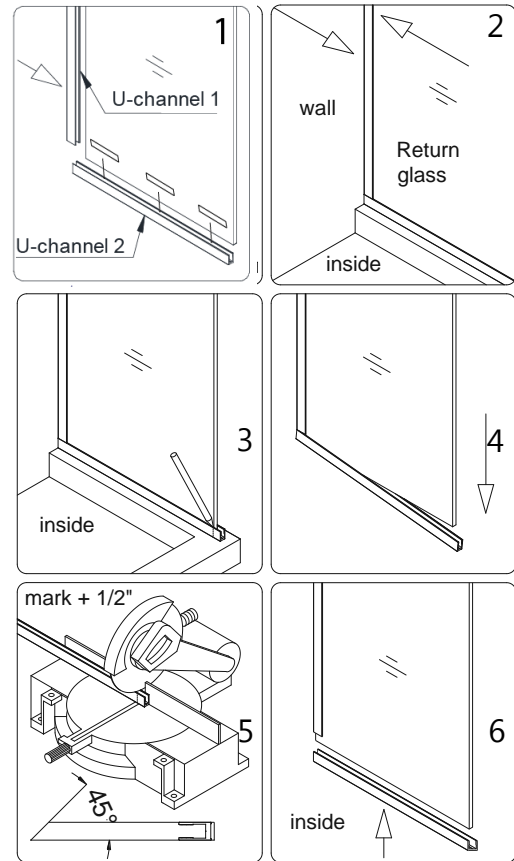


Fig. 5

6. Measure the actual width of your **Stationary glass (11)** panel.

Use a miter saw to cut the second **U-channel 2 (44", bottom profile) (29)** 45° to the actual width of the glass (+) 1/16".

See Fig. 6 & 7 for details.

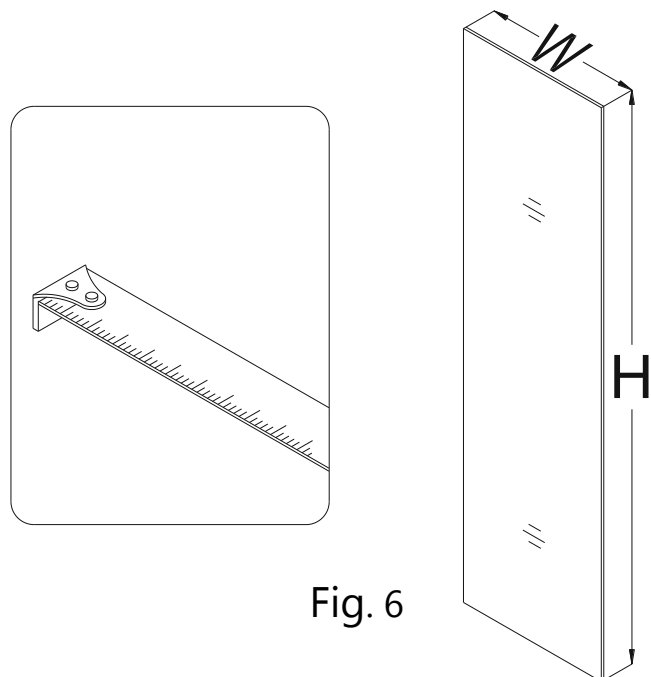


Fig. 6

**NOTE: The top of the Enclosure glass must be level with the Glass door.** By using a level across the top of both the In-line **Stationary panel glass (11)** and door, height differences can be measured. The **Adjustment spacers (28)** are provided for the **Return panel glass (26)** only to compensate for such differences by inserting them into the **U-Channel 2 (bottom profile) (29)**. Please use the correct spacer size that is needed for your situation.

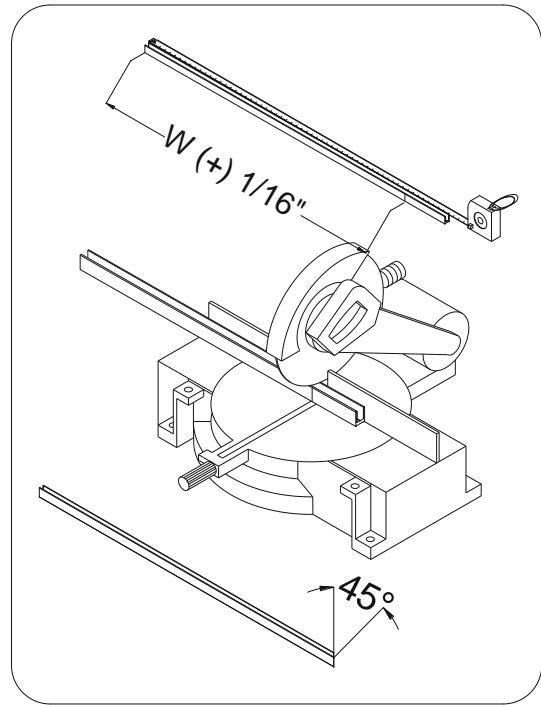


Fig. 7

- Slip the **U-channel 2 (44", bottom profile) (29)** onto the **Stationary glass (11)** and ensure that the straight end of the **U-channel 2** is flush with the vertical glass edge.

Press the **Anti-Water strip (inline panel) (19)** onto the vertical edge of the **Stationary glass** allowing the base of the **strip** to rest on top of the **U-channel**.

Carefully butt the **Stationary glass** and **Return panel glass (26)** together to form a tight corner from bottom to top. The **Stationary glass** will be in front of the **Return panel glass**.

While securely holding the two **glass panels**, attach the **90° Corner Bracket (30)** to the top corner. Ensure that the **90° Corner Bracket** is square and gaskets are aligned properly before tightening the glass holding screws.

Temporarily secure the bottom corner of the **glass panels** with a generous strip of **Painters tape**.

See Fig. 8 & 9 for details.

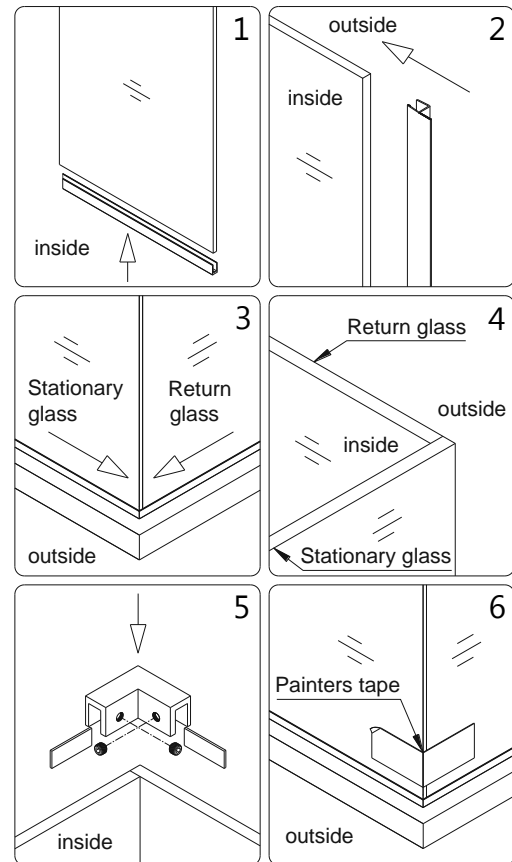


Fig. 8

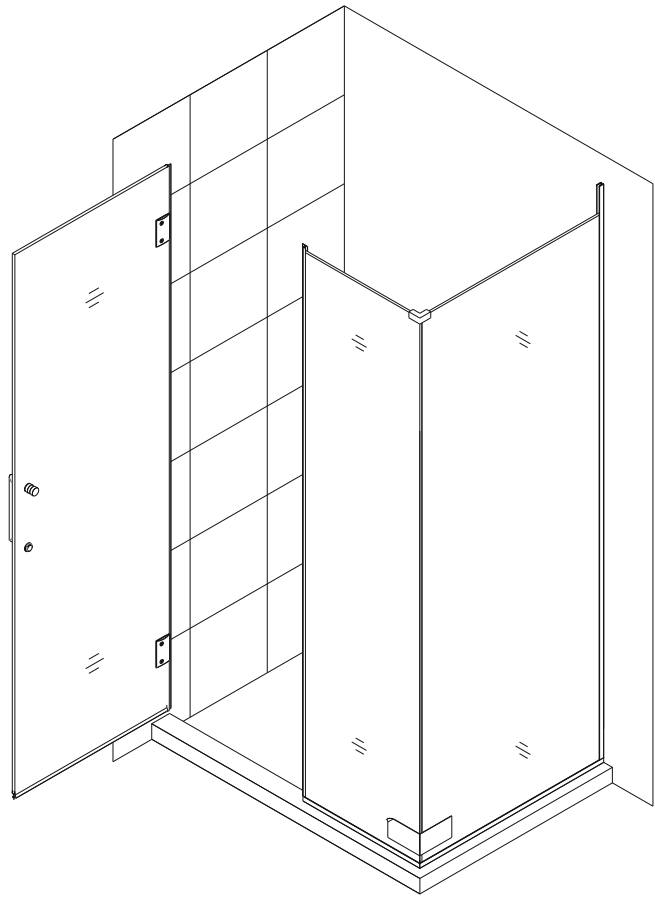


Fig. 9

**NOTE:** The next step involves careful handling of the glass panels that were just temporarily fixed together to determine a custom fit measurement unique to your installation. It is essential that two installers be used along with responsive communication.

- Carefully butt the **Return panel glass (26)** up against the wall vertically according to the **M** value stated in Size Table A on page 5. Intermittently use a level throughout these steps to ensure that this glass enclosure is leveled properly.

While securely holding the **glass panels**, close the **Glass Door** and align the **Stationary glass (11)** to it. Use the door mark on the threshold as a reference to ensure that the **Door** is perpendicular to the wall.

If needed, adjust the position of the **Stationary glass** and **Return panel glass** so that the **Anti-Water strip (inline panel) (19)** makes tight contact to the **Glass Door** from top to bottom. The **U-channel 1 (wall profile) (09)** will remain flush against the wall.

Outline the position of the **glass panels** along the inside bottom edge of all **U-channels** on the threshold and wall.

Mark the **U-channel 1 (wall profile) (09)** at the top horizontal glass edge.

See Fig. 10 for details.

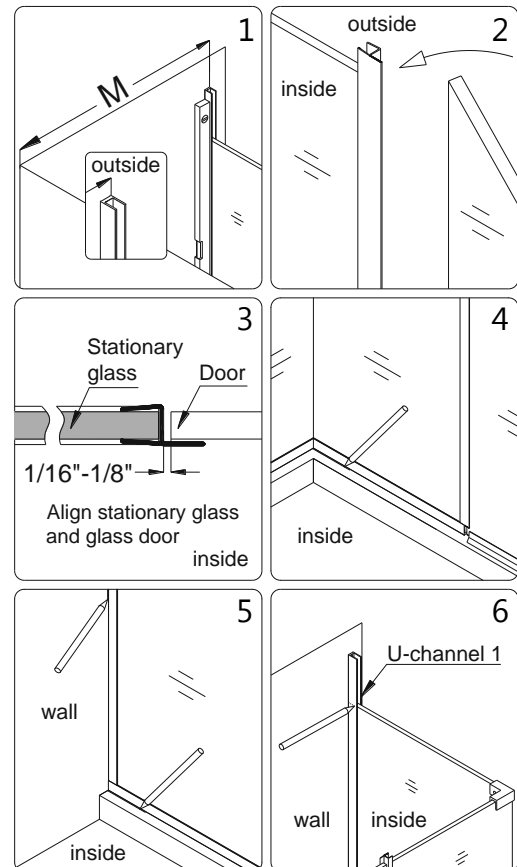


Fig. 10

9. Carefully disassemble the panels for the next steps.

See Fig. 11 for details.

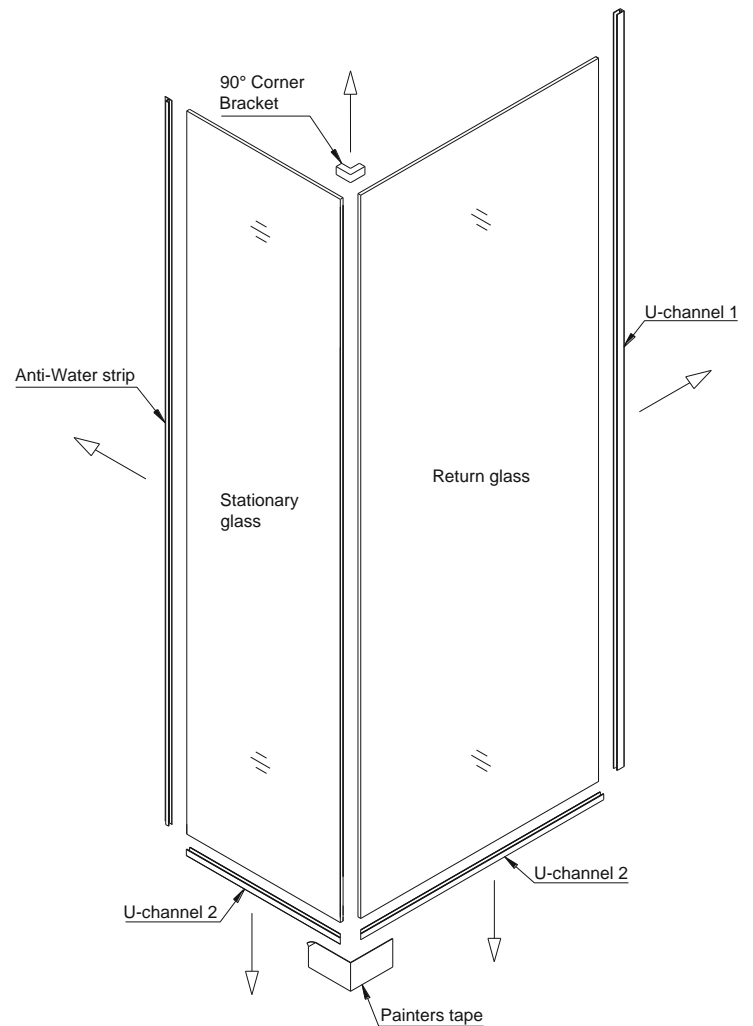


Fig. 11

10. Place the **U-Channel 2 (bottom profile) (29)** for the **Return panel glass (26)** onto the threshold base in line with the inside threshold mark.

Mark the drill holes on the threshold through the predrilled holes in the **U-Channel 2** and drill the holes using **Ø1/8" drill bit**.

Apply waterproof silicone along the bottom surface and around the holes of the **U-Channel 2** and fasten it to the base with the **Countersunk screws ST4.2×40 (23)**.

**NOTE: The surface needs to be clean and free of debris before applying silicone.**

See Fig. 12 & 13 for details.

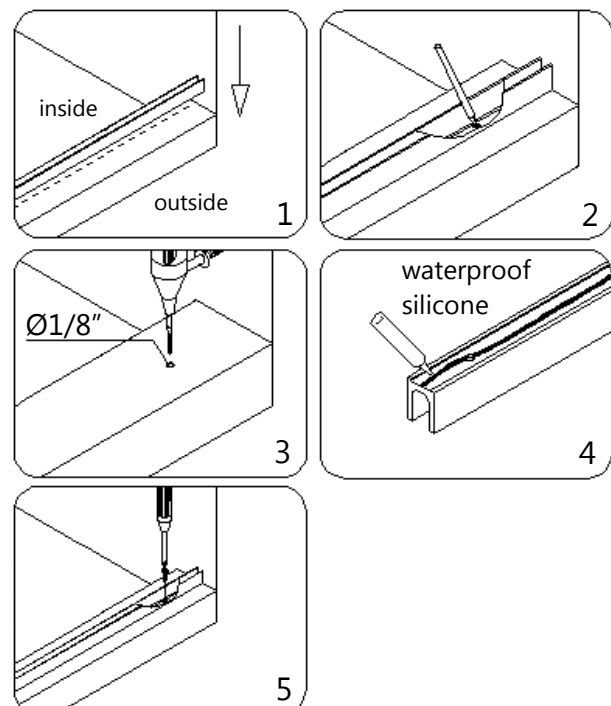


Fig. 12

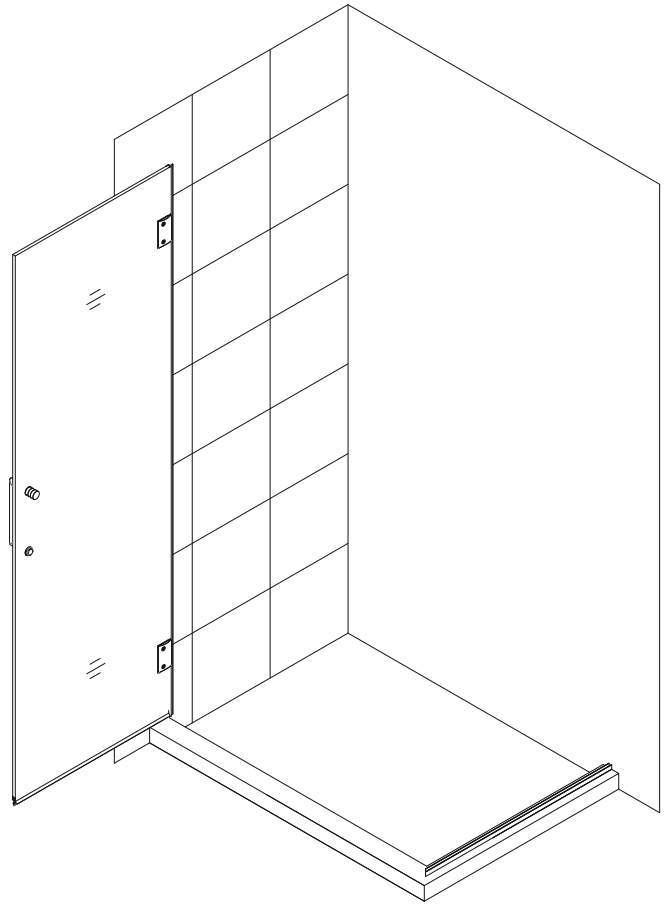


Fig. 13

11. Straight cut the **U-channel 1 (76", wall profile) (09)** at the top mark that was made in step #8.

Place the **U-Channel 1 (wall profile) (09)** on the **U-Channel 2 (bottom profile) (29)** and align vertically with the inside wall mark.

Mark the drill holes on the wall through the predrilled holes in the **U-Channel 1**.

Now drill holes in the wall using **Ø5/16" drill bit** and insert the **Ø5/16" Wall anchors (13)**.

See Fig. 14 for details.

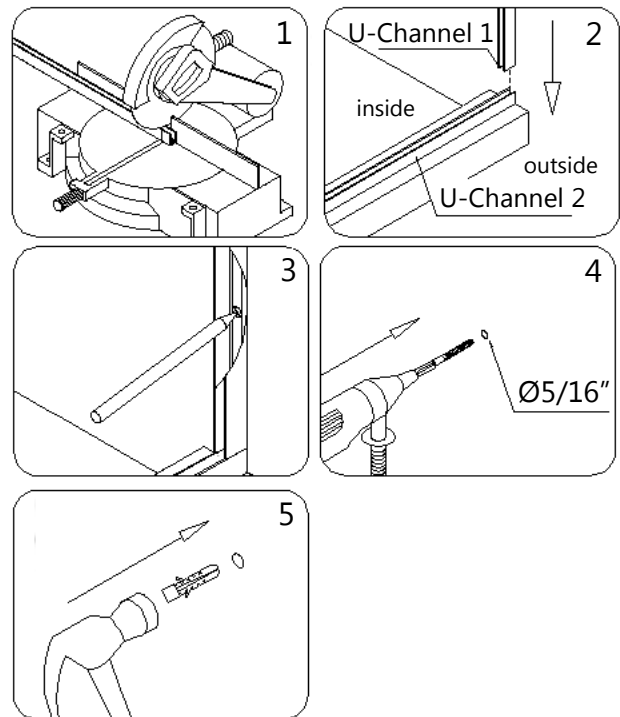


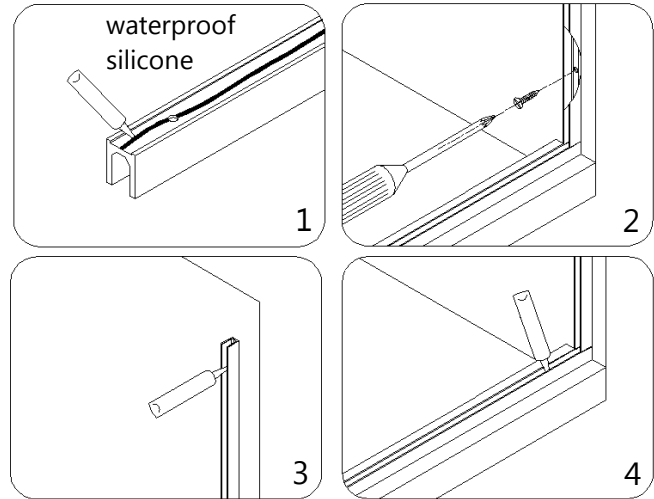
Fig. 14

12. Apply waterproof silicone along the bottom surface and around the holes of the **U-Channel 1 (76", wall profile) (09)**.

Fasten the **U-Channel 1** to the wall with the **Countersunk screw ST4.2x40 (23)**.

Insert the provided 2" pieces of the **Adjustment Spacers (28)** into **U-Channel 2 (bottom profile) (29)** for minor adjustments if necessary.

Apply Waterproof silicone into the groove of both **U-Channels**.



See Fig. 15 & 16 for details

Fig. 15

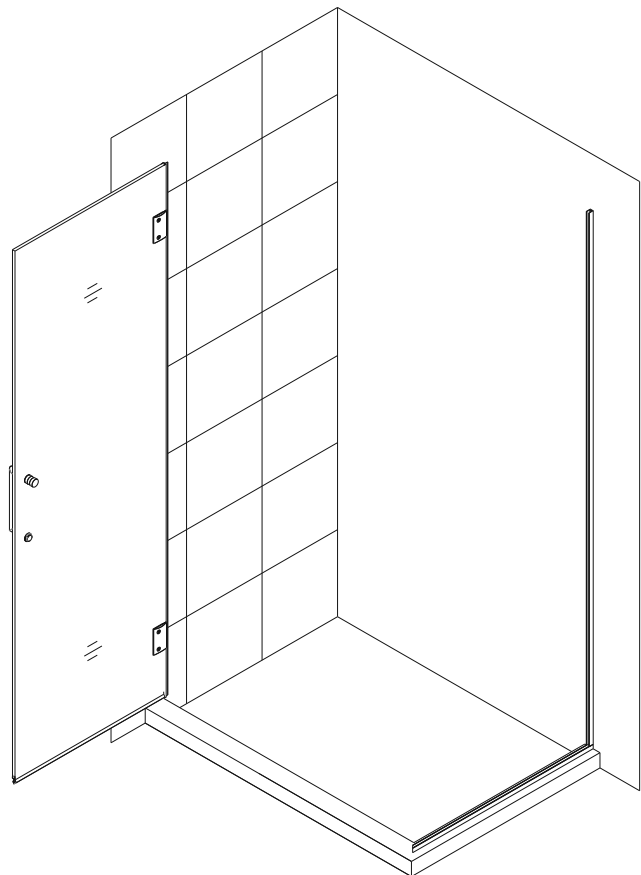


Fig. 16



13. Slide the **Return panel glass (26)** into the groove of both **U-Channels**.

**NOTE:**

If you have difficulty sliding the **Return panel glass** into the **U-Channels**, you can slightly tap on the **Return panel glass** with a rubber mallet and a piece of wood.

See fig. 17 & 18 for details.

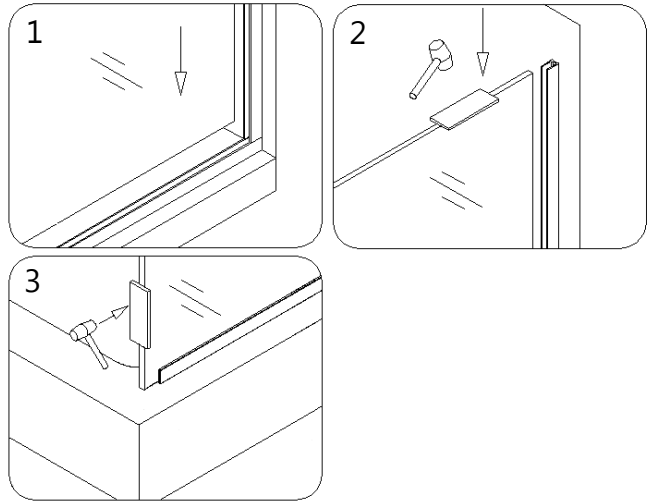
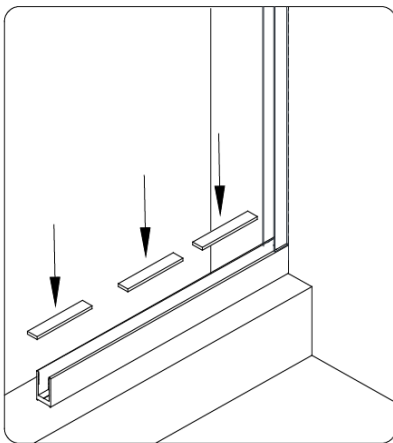


Fig. 17



Use Adjustment spacers (#28)  
as necessary to level your glass

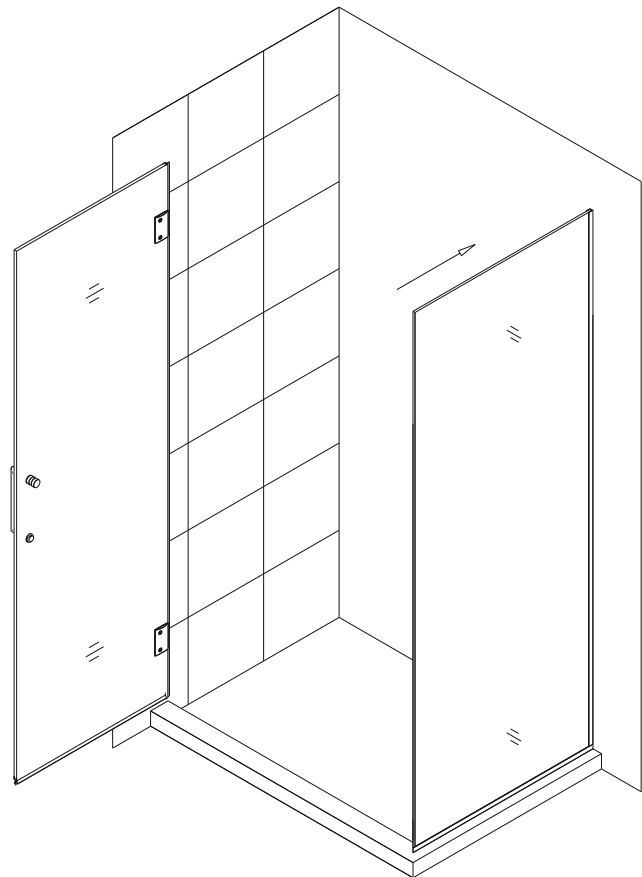


Fig. 18

14. Place the **U-Channel 2 (bottom profile) (29)** for the **Stationary glass (11)** onto the threshold base in line with the inside threshold mark and flush with 45° corner cut.

Mark the drill holes on the threshold through the predrilled holes in the **U-Channel 2** and drill the holes using **Ø1/8" drill bit**.

Apply waterproof silicone along the bottom surface and around the holes of the **U-Channel 2** and fasten it to the base with the **Countersunk screws ST4.2×40 (23)**.

**NOTE: The surface needs to be clean and free of debris before applying silicone.**

See Fig. 19 & 20 for details.

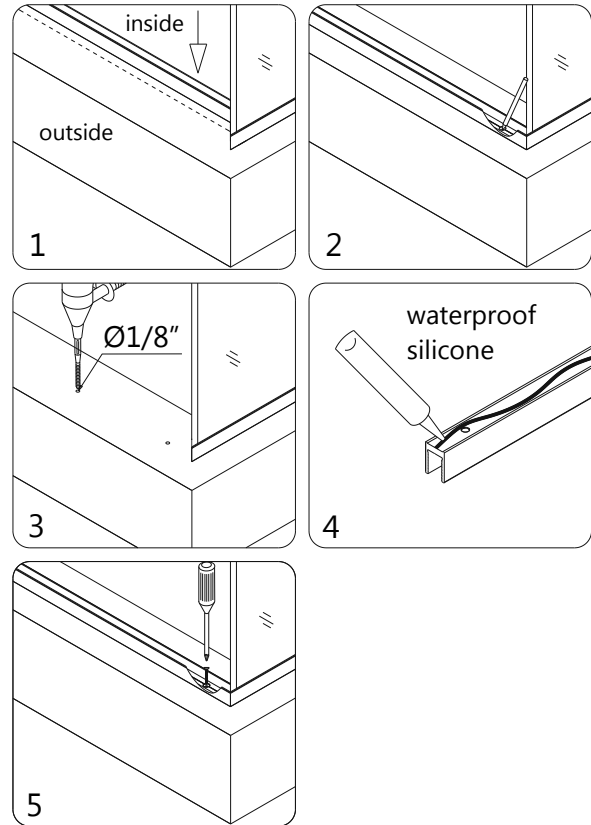


Fig. 19

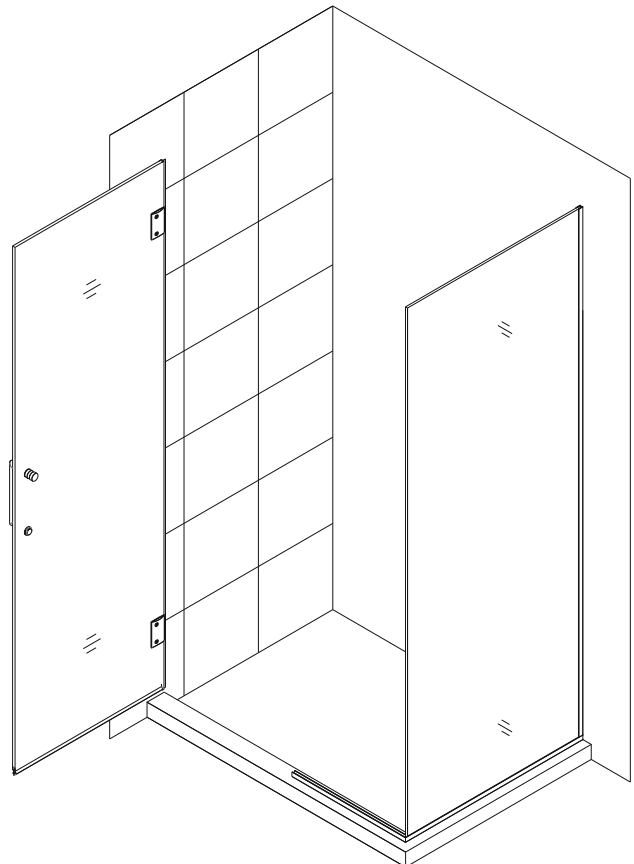


Fig. 20

15. Apply Waterproof silicone into the groove of the **U-Channel 2 (bottom profile) (29)** and sparingly along the vertical edge of the **Return panel glass (26)**.

See Fig. 21 & 22 for details.

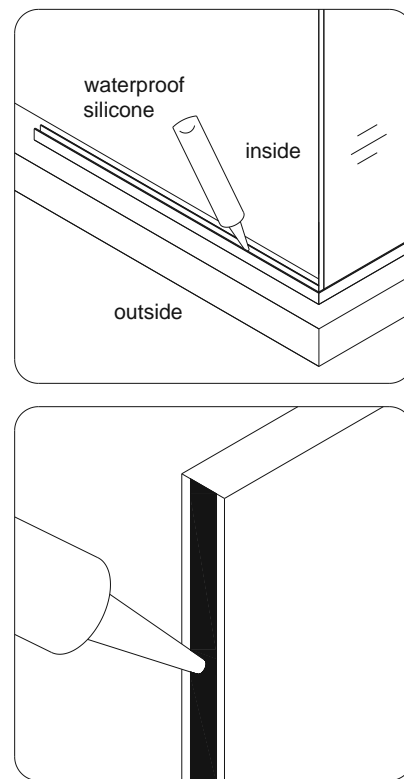


Fig. 21

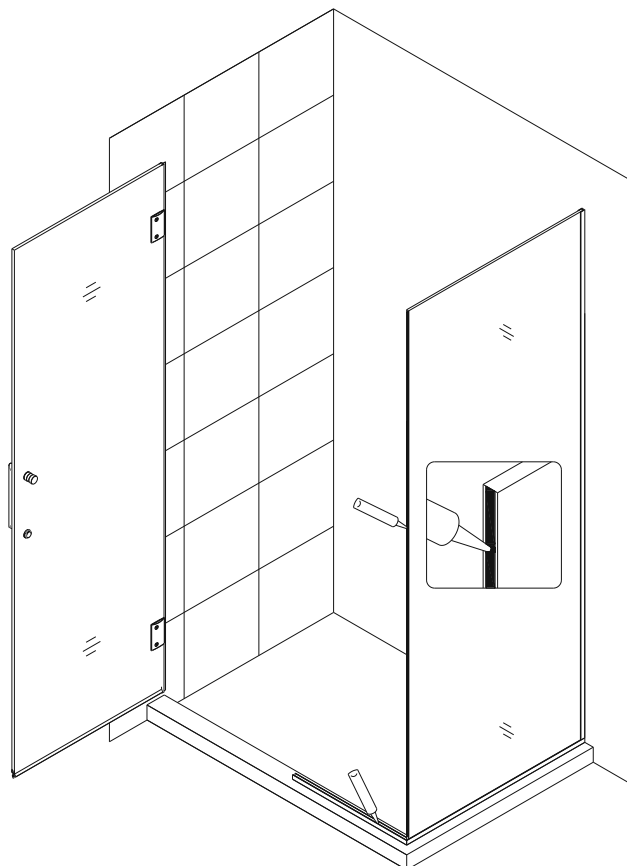


Fig. 22

16. Slide the **Stationary glass (11)** into the groove of the **U-Channel**. Make sure the vertical edge of the **Stationary glass** is flush with outer face of the **Return panel glass (26)** at the corner.

Apply a bead of silicone on the open end of the **U-Channel**, and its connection.

**NOTE:**

If you have difficulty sliding the **Stationary glass** into the **U-Channel**, you can slightly tap on the **Stationary glass** with a rubber mallet and a piece of wood.

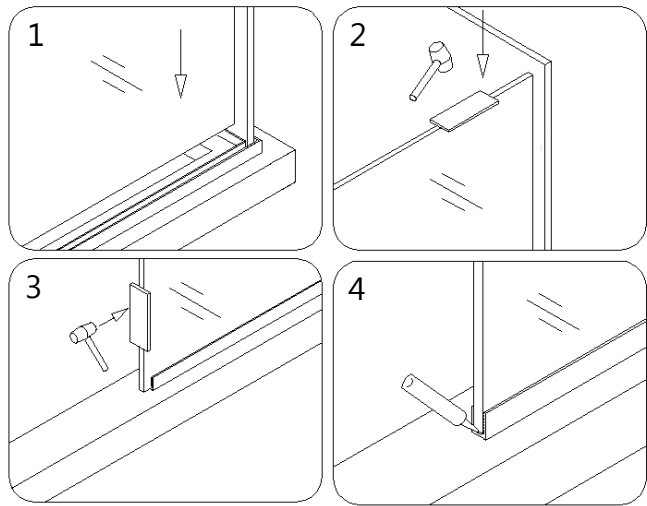


Fig. 23

See fig. 23 & 24 for details.

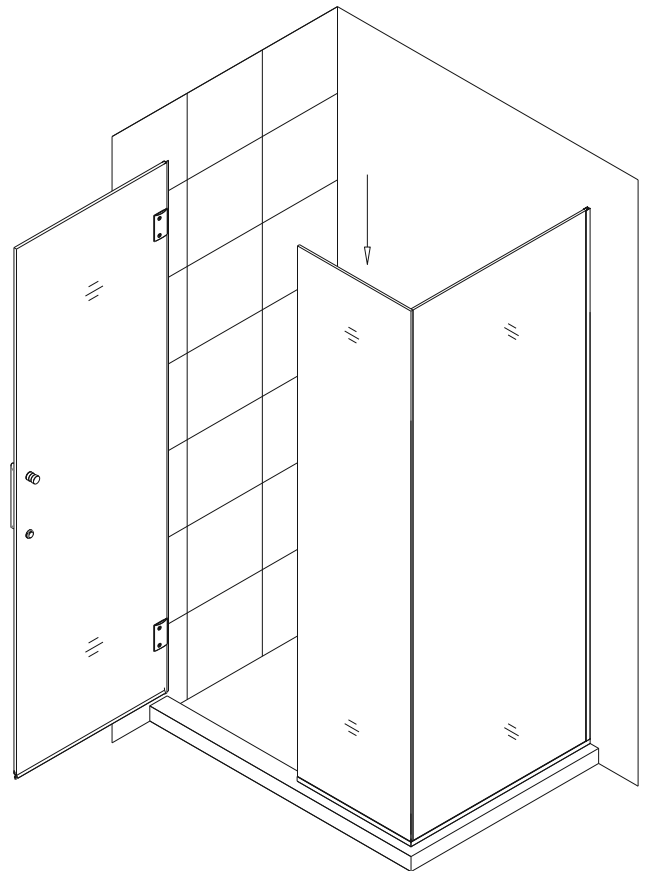


Fig. 24

17. Attach the **90° Corner Bracket (30)** to the top corner of both **glass panels**. Ensure that the **90° Corner Bracket** is square and gaskets are aligned properly before tightening the glass holding screws. Temporarily secure the corner of the **glass panels** with several generous strips of **Painters tape** to keep the corner tight until the silicone cures.

See fig. 25 & 26 for details.

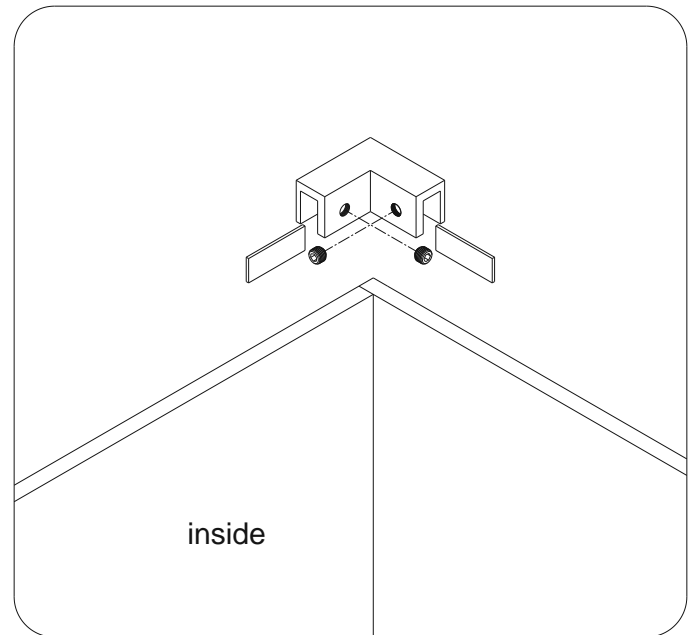


Fig. 25

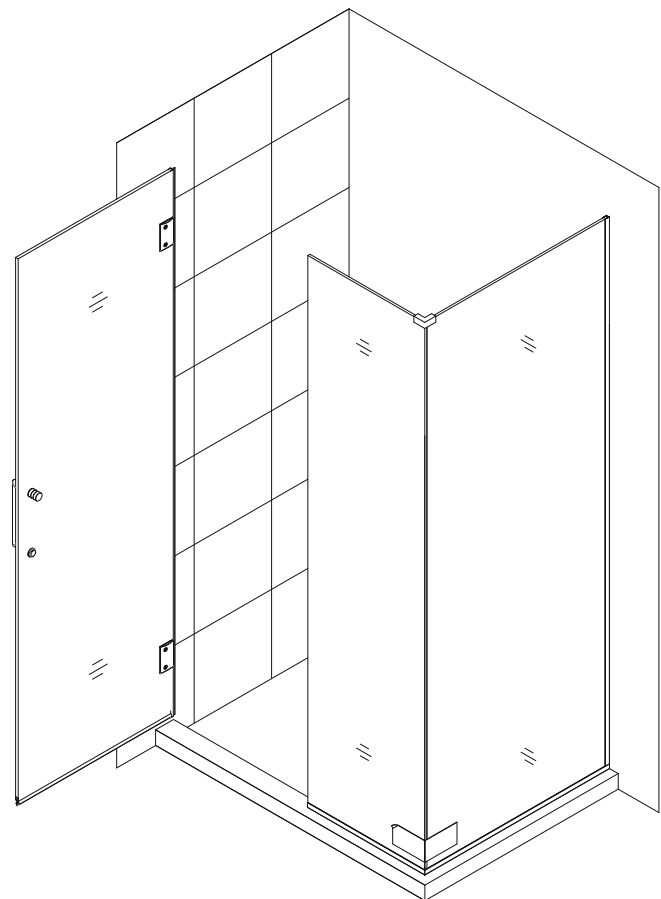


Fig. 26

18. Apply waterproof silicone along the connection of all **U-Channels** to the wall and threshold on the inside of shower. Carefully apply an even bead of silicone down the inside corner of the **glass panels**.

See Fig. 27 & 28 for details.

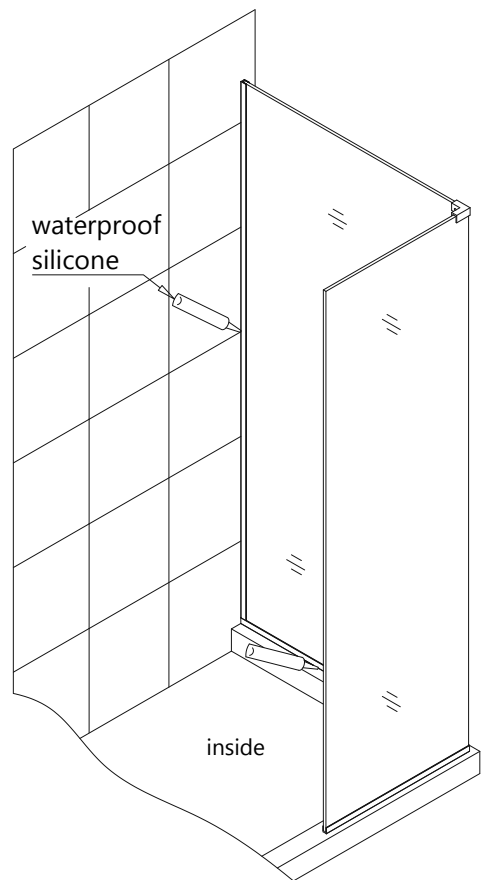


Fig. 27

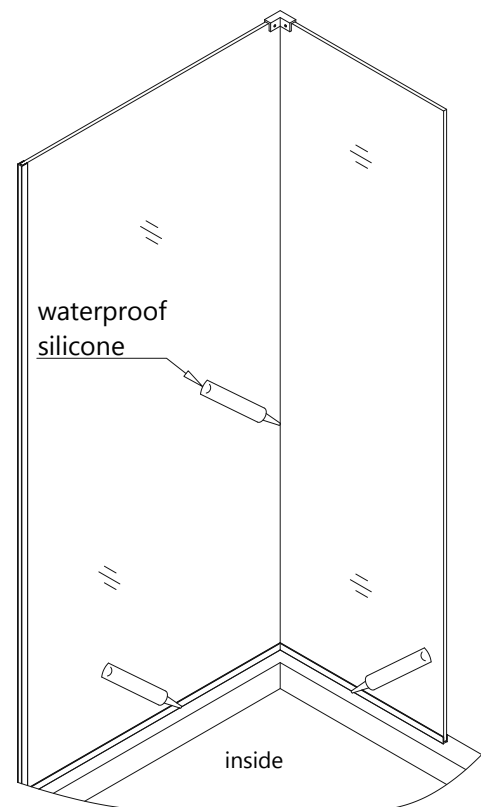


Fig. 28

19. Notch the **Anti-Water strip (inline panel)** (19) 1" at the base to fit around bottom **U-channel**. Press the **Anti-Water strip** onto the vertical edge of the **Stationary glass (11)**.

See Fig. 29 for details.

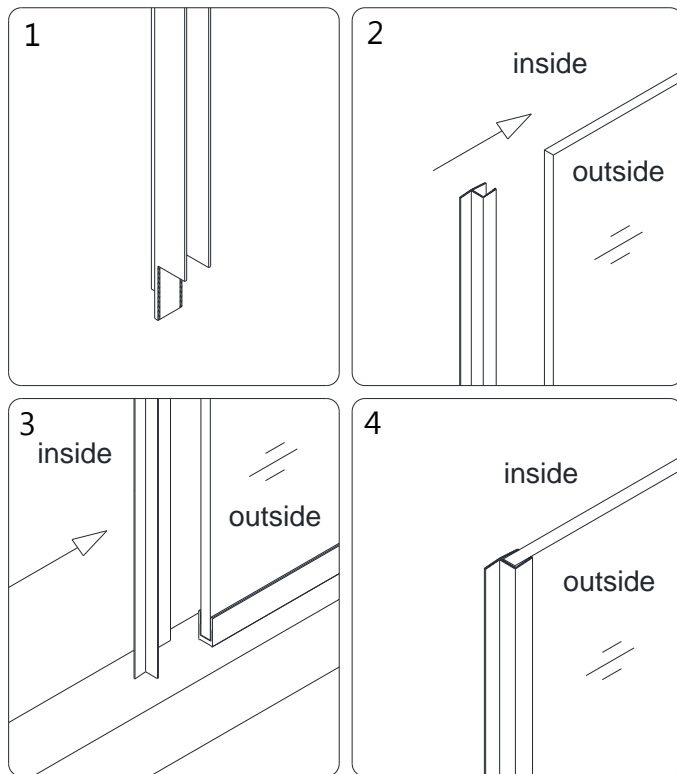


Fig. 29

## **Product Maintenance**

**BASES and BACKWALLS:** To ensure long lasting life for your acrylic back walls: wipe them off after each use with a soft cloth. To clean the acrylic back walls use non-abrasive sprays or cream based cleaners. Avoid the use of aerosol spray cleaners. Never use abrasive cleansers, metal brushes or scrapers that could scratch or dull the surface.

**GLASS:** To ensure long lasting life for your glass shower products: wipe them off after each use with a soft cloth. Rinse and wipe off the glass using either a soft cloth or a squeegee to prevent soap buildup and water spots (Hard water can etch the surface of the glass over time if left to dry). To prevent scratching the surface: never use abrasive cleaners or cleaning products that contain scouring agents. Never use bristle brushes or abrasive sponges that may scratch the surface.

**HARDWARE:** To ensure a long lasting finish: wipe off the metal parts after each use with a soft cloth. Do not use abrasive cleaners or cleaning products containing ammonia, bleach or acid. If accidentally used, rinse the surface as soon as possible to prevent damage to the finish (peeling or corrosion). After cleaning the polished finishes, rinse thoroughly and wipe dry with soft cloth. Clean stainless steel surfaces at least once a week. When applying stainless steel cleaner or polish to stainless steel hardware, work with (not across) the grain. Never use an abrasive sponge or cloth, steel wool or wired brush as these may permanently scratch the surfaces.

**NOTE:** To maximize the life of your door, it is important to regularly inspect the glass and other hardware for misalignment, proper attachment, and/or damage. Contact DreamLine with any questions or concerns.





TEL: [866-731-2244](tel:866-731-2244)

FAX: [866-857-3638](tel:866-857-3638)

[DREAMLINE.COM](http://DREAMLINE.COM)

For more information on [DreamLine® Shower Doors](http://DreamLine.com) and [Enclosures](http://DreamLine.com) please visit [DreamLine.com](http://DreamLine.com)