

MEM Wall-mounted three-hole lavatory mixer without drain - Chrome

MEM

36 702 782 Product version from 4/1/2025



- 5" Projection
- Rigid spout
- Rectangular aerated stream
- Valve hole diameter 1-3/8"
- Spout hole diameter 1-3/8"
- Individual flanges 2-3/8" x 2-3/8"
- Water flow rate limited to max. 1.2 gpm
- lead-free
- This product can help a building meet the requirements of Green Building Rating Systems, e.g. LEED®, BREEAM®, DGNB **(ADA)**

(ADA)

	Chrome	36 702 782-00 0010
	Brushed Platinum	36 702 782-06 0010
	Platinum	36 702 782-08 0010
	Brushed Light Gold (PVD)	36 702 782-27 0010
	Brushed Durabrass (23kt Gold)	36 702 782-28 0010
	Brushed Dark Brass (PVD)	36 702 782-39 0010
	Brushed Bronze (PVD)	36 702 782-42 0010
	Brushed Champagne (22kt Gold)	36 702 782-46 0010
	Champagne (22kt Gold)	36 702 782-47 0010
	Brushed Dark Platinum	36 702 782-99 0010

Required article



- Rough for wall-mounted faucet , spout in center -** 35 700 970-90 0010
- Min. rough in depth 4-3/8"
 - Max. rough in depth 5-7/8"

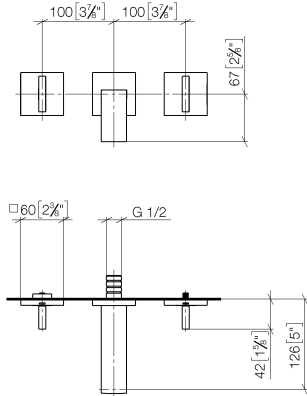
Required article



- Rough for wall-mounted faucet flexible positioning -** 35 720 970-90 0010
- Min. rough in depth 4-3/8"
 - Max. rough in depth 5-7/8"

36 702 782 Product version from 4/1/2025

mm [inches]



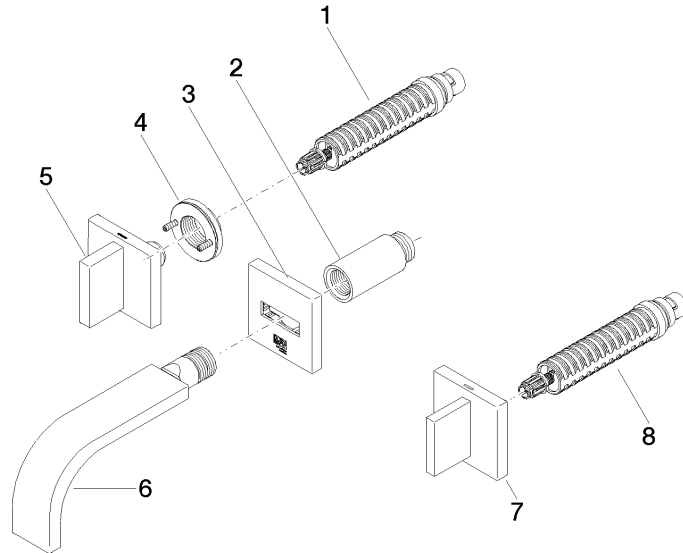
Codes & Standards

ADA	ASME A112.18.1	California Energy Commission (CEC)	cUPC
EPA WaterSense	NSF372	NSF61	WaterSense



Certificates and sustainability

IAPMO_6397	IAPMO_N-4976	IAPMO_4976 (IAPMO_8834	EPD-DOR-20230287 -IBA1-EN Environmental product-declarat
------------	--------------	--------------	------------	----------------------------------------------------------------



Spare parts list

Number	Item Number	Designation	Number of units	Lead time
7	90 20 78 002 06-00	Handle for wall valve Cold 60 x 75 x 60 mm - Chrome	1.00	10
2	09 24 03 081 10 90	Extension 1/2" x 50 mm -	1.00	2
5	90 20 78 002 07-00	Handle for wall valve Hot 60 x 75 x 60 mm - Chrome	1.00	10
3	90 27 78 053 00-00	Escutcheon - Chrome	1.00	10
8	90 90 03 157 00 90	Cartridge clockwise-closing 1/2" -	1.00	2
6	90 28 22 357 01-00	Outlet - Chrome	1.00	10
1	90 90 03 156 00 90	Cartridge counter-clockwise closing 1/2" -	1.00	2
4	90 21 02 108 00 90	Wall disc complete -	1.00	2