

20 705 819 Product version from 4/1/2024

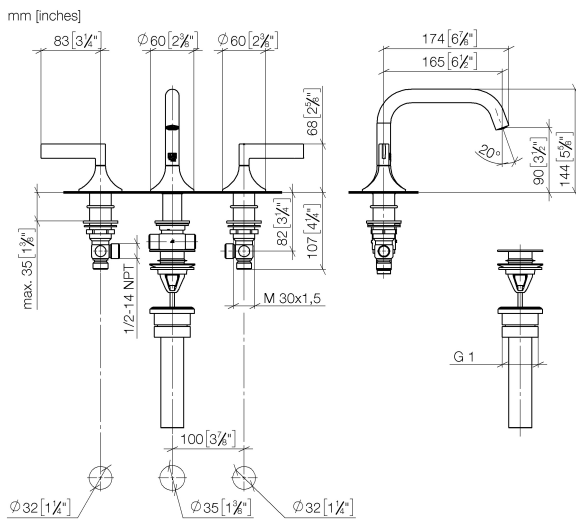


- 6-1/2" Projection
- US drain with overflow
- Swiveling spout 360°
- Round aerated stream
- Total height 5-5/8"
- Height to aerator/spout outlet 3-1/2"
- Valve hole diameter 1-1/4"
- Spout hole diameter 1-3/8"
- Flange diameter 2-3/8"
- Water flow rate limited to max. 1.2 gpm
- lead-free
- This product can help a building meet the requirements of Green Building Rating Systems, e.g. LEED®, BREEAM®, DGNB

Suitable only for basins with overflow.

	Chrome	20 705 819-00 0010
	Brushed Platinum	20 705 819-06 0010
	Platinum	20 705 819-08 0010
	Brushed Light Gold (PVD)	20 705 819-27 0010
	Brushed Durabronze (23kt Gold)	20 705 819-28 0010
	Brushed Dark Brass (PVD)	20 705 819-39 0010
	Brushed Bronze (PVD)	20 705 819-42 0010
	Brushed Dark Bronze (PVD)	20 705 819-43 0010
	Brushed Champagne (22kt Gold)	20 705 819-46 0010
	Champagne (22kt Gold)	20 705 819-47 0010
	Brushed Dark Platinum	20 705 819-99 0010

20 705 819 Product version from 4/1/2024



Codes & Standards

ASME A112.18.1	California Energy Commission (CEC)	cUPC	EPA WaterSense
NSF372	NSF61	WaterSense	

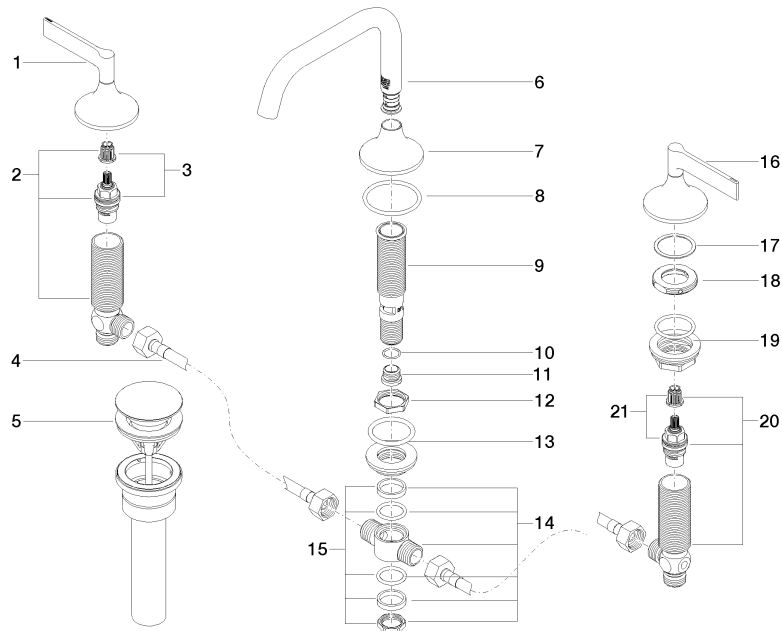


Certificates and sustainability

IAPMO_8834	IAPMO_6397	IAPMO_4976	IAPMO_N-4976	EPD-DOR-20230287 -IBA1-EN Environmental product-declarat
------------	------------	------------	--------------	--

20 705 819 Product version from 4/1/2024

Parts for other finishes can be found here: [Brushed](#) [Platinum](#)



Spare parts list

Number	Item Number	Designation	Number of units	Lead time
20	04 17 11 055 50 90	Deck valve counter-clockwise closing 1/2" -	1.00	2
12	09 23 10 127 90	Mounting bracket Nut Ø 32,5 x 4 mm -	1.00	2
3	90 90 03 151 00 90	Cartridge clockwise-closing 1/2" -	1.00	2
6	90 28 22 369 00-00	Outlet - Chrome	1.00	10
8	09 14 10 084 90	O-Ring EPDM 70 48 x 3,5 mm -	2.00	2
5	10 125 970-00 0010	Umbrella drain 1 1/4" - Chrome	1.00	2
15	90 23 10 012 00 90	Mounting bracket Distributor 1/2" + 3/4" -	1.00	2
2	04 17 11 055 51 90	Deck valve clockwise-closing 1/2" -	1.00	2
19	04 23 10 032 78 90	Mounting bracket With seals M30 x 1,5 -	2.00	2
10	09 14 10 017 90	O-Ring EPDM 70 14,0 x 1,5 mm -	1.00	2
1	90 20 80 013 00-00	Handle For deck valve Hot Lever 113 x 68 x 60 mm - Chrome	1.00	10
7	09 27 80 011-00	Escutcheon For spout Ø 60 x 37 mm - Chrome	1.00	10
18	09 24 01 028 90	Ring Ø 42 x 9 mm -	2.00	2
4	04 30 04 096 00 90	Flexible supply line With union nut 1/2" x 1/2" x 15-3/4" -	2.00	2
13	04 23 10 004 04 90	Mounting bracket With seals Ø 45 mm, 3/4" -	1.00	2
14	90 17 11 020 10 90	Distributor complete -	1.00	2
11	09 24 04 021 10 90	Nipple Ø 19 x 15 mm -	1.00	2
17	09 28 10 003 90	Washer 39 x 32,5 x1 mm -	2.00	2
16	90 20 80 012 00-00	Handle For deck valve Cold Lever 113 x 68 x 60 mm - Chrome	1.00	10
21	90 90 03 150 00 90	Cartridge counter-clockwise closing 1/2" -	1.00	2