






MEM Wall-mounted single-lever basin mixer without pop-up waste - Platinum

MEM

36 867 782



- 125mm projection
- fixed spout
- rectangular, air-enriched flow
- hole diameter spout 35 mm
- hole diameter single-lever mixer 57 mm
- rosette for spout 80 x 60mm
- rosette for mixer 80 x 80mm
- max. flow 4.5 l/min
- lead-free
- This product can help a building meet the requirements of Green Building Rating Systems, e.g. LEED®, BREEAM®, DGNB

	Platinum	36 867 782-08 0010
	Chrome	36 867 782-00 0010
	Brushed Platinum	36 867 782-06 0010
	Brushed Durabronze (23kt Gold)	36 867 782-28 0010
	Brushed Dark Platinum	36 867 782-99 0010

Required miscellaneous



- Concealed wall-mounted single-lever mixer -** 35 860 970-90 0010
- min. recess depth 80 mm
 - max. recess depth 95 mm

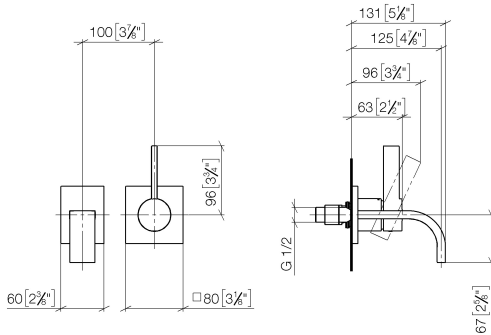


MEM Wall-mounted single-lever basin mixer without pop-up waste - Platinum

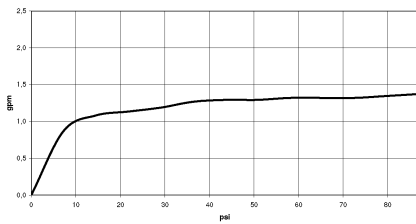
MEM

36 867 782

mm [inches]



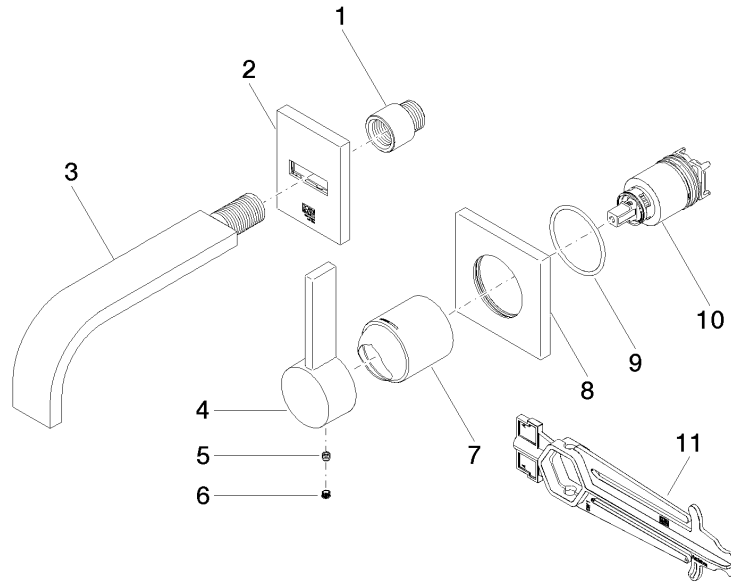
Flow rate chart



Codes & Standards

California Energy
Commission
(CEC)

36 867 782





MEM Wall-mounted single-lever basin mixer without pop-up waste - Platinum

MEM

36 867 782

Spare parts list

No.	Item Number	Name	Quantity used	Delivery time
	09 24 03 072 10 90	nipple	11	2