

44 521 809 Product version from 4/1/2024

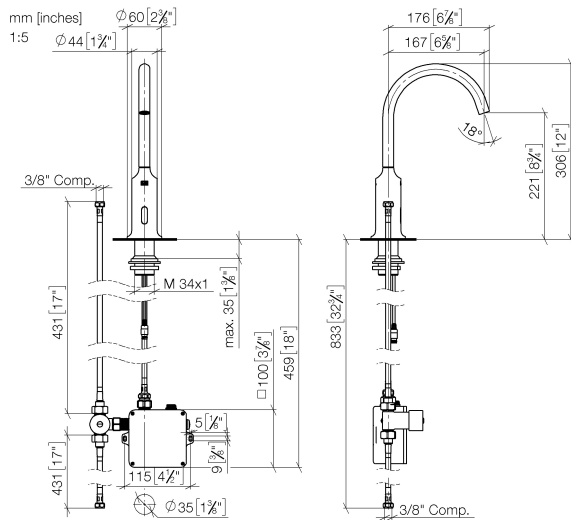


- Infrared sensor technology
 - 6-5/8" Projection
 - Total height 12"
 - Height to aerator/spout outlet 8-3/4"
 - 1-3/8" hole diameter
 - Rigid spout
 - Water flow rate limited to max. 0.5 gpm
 - Laminar stream
 - Thermal disinfection
 - Automatic shut-off after 30 seconds
 - Indirect temperature control (undercounter)
 - Control box included
 - Adjustable sensor detection range
 - Battery or plug-in power supply operated (batteries not included)
 - 4x AA (1.5V) batteries required
 - lead-free
 - 1x 3/8" flexible supply line
 - This product can help a building meet the requirements of Green Building Rating Systems, e.g. LEED®, BREEAM®, DGNB
- Batteries not included

NOTE: A tempering device is recommended for installation in public areas. Please refer to your local building codes.

	Chrome	44 521 809-00 0010
	Brushed Platinum	44 521 809-06 0010
	Platinum	44 521 809-08 0010
	Dark Chrome	44 521 809-19 0010
	Brushed Light Gold (PVD)	44 521 809-27 0010
	Brushed Durabrass (23kt Gold)	44 521 809-28 0010
	Matte Black	44 521 809-33 0010
	Brushed Dark Brass (PVD)	44 521 809-39 0010
	Brushed Bronze (PVD)	44 521 809-42 0010
	Brushed Dark Bronze (PVD)	44 521 809-43 0010
	Brushed Champagne (22kt Gold)	44 521 809-46 0010
	Champagne (22kt Gold)	44 521 809-47 0010
	Brushed Chrome	44 521 809-93 0010
	Brushed Dark Platinum	44 521 809-99 0010

44 521 809 Product version from 4/1/2024

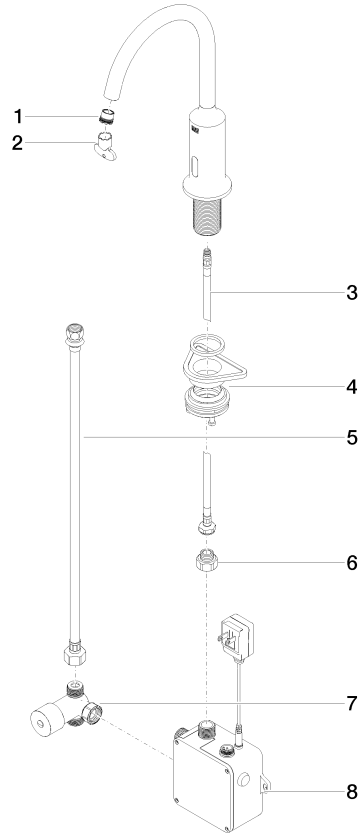


Codes & Standards

ASME A112.18.1	California Energy Commission (CEC)	cUPC	NSF372
----------------	------------------------------------	------	--------

Certificates and sustainability

IAPMO_6397	IAPMO_4976 (EPD-DOR-20230287 -IBA1-EN Environmental product-declarat
------------	--------------	--



Spare parts list

Number	Item Number	Designation	Number of units	Lead time
2	90 30 09 028 00 90	assembly wrench -	1.00	2
6	09 24 03 185-00	Nipple Reducing coupling 1/2" x 3/8" - Chrome	1.00	10
5	12 506 970 90	High pressure hoses -	1.00	2
7	90 30 50 081 00 90	Mixing valve -	1.00	2
4	04 23 10 044 08 90	Mounting bracket -	1.00	2
8	90 10 01 247 02 90	Valve box -	1.00	2
1	09 29 03 094 90	Aerator insert M16 x 1 -	1.00	2
3	04 30 04 100 00 90	Flexible supply line M8x1 x 3/8" x 420 mm -	1.00	2