



META META SLIM Wall-mounted single-lever mixer without drain - Brushed Platinum

36 867 662



- 4-7/8" Projection
- Rigid spout
- Round aerated stream
- Hole diameter single-lever mixer 2-1/4"
- Spout hole diameter 1-3/8"
- Mixer with flange Ø 3-1/8"
- 2-1/8" diameter flange for spout
- Water flow rate limited to max. 1.2 gpm
- lead-free
- This product contributes to meeting requirements of Green Building Rating Systems, e.g. LEED®, BREEAM®, DGNB
(ADA)

(ADA)

	Brushed Platinum	36 867 662-06 0010
	Chrome	36 867 662-00 0010
	Matte Black	36 867 662-33 0010
	Brushed Champagne (22kt Gold)	36 867 662-46 0010
	Champagne (22kt Gold)	36 867 662-47 0010
	Brushed Chrome	36 867 662-93 0010

Required article

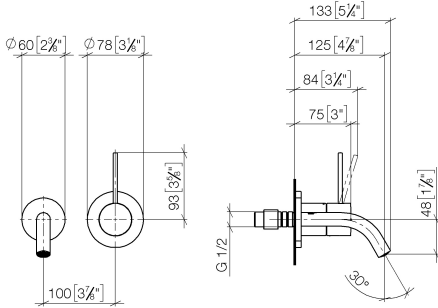
Rough for wall-mounted faucet - 35 860 970-90
0010



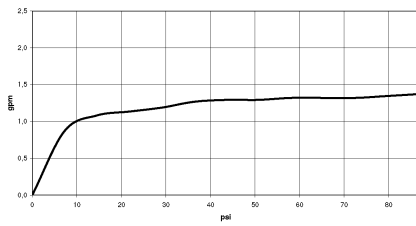


META META SLIM Wall-mounted single-lever mixer without drain - Brushed Platinum

36 867 662
mm [inches]

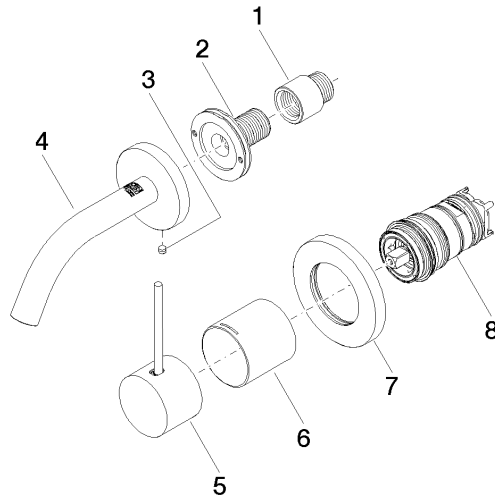


Flow rate chart



**META META SLIM Wall-mounted single-lever mixer without drain - Brushed
Platinum**

36 867 662



Spare parts list

Number	Item Number	Designation	Number of units	Lead time
1	09 24 03 072 10 90	nipple	1	2
2	90 24 03 280 00 90	nipple	1	2
3	09 31 11 112 90	pin	1	60
4	90 28 22 363 00-06	spout	1	10
5	90 20 66 022 00-06	handle	1	10
6	09 11 02 336-06	sleeve	1	10
7	90 27 62 011 00-06	rosette	1	10
8	90 15 05 044 02 90	cartridge	1	2