

Concealed thermostat for one- and two-way outlets -

35 426 970



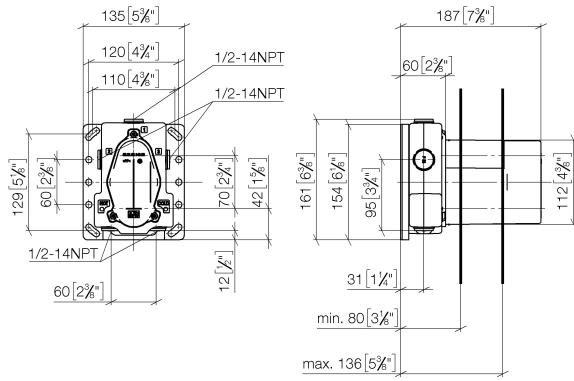
- integrated stop
- lead free compliant
- 2x back flow preventer
- 2x Connection 1/2" IT (cold/warm), DN 15
- 3x outlet 1/2"
- Mud guard
- Water protection
- Noise and heat insulation
- suitable for xGRID (when using installation track + 1/2" recess depth)
- Center to center 2-3/4"
- 3x outlet 1/2"
- single flow function only



Concealed thermostat for one- and two-way outlets -

35 426 970

mm [inches]



Codes & Standards

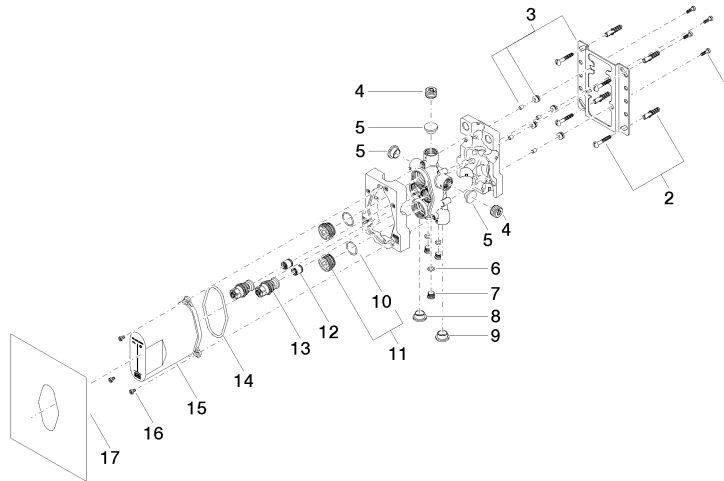
| | | |
|----------------|---------------------------------|------|
| ASME A112.18.1 | ASME A112.18.1/CSA B125.1 | cUPC |
|----------------|---------------------------------|------|

Certificates

IAPMO_4976 (

Concealed thermostat for one- and two-way outlets -

35 426 970



Spare parts list

| Number | Item Number | Designation | Number of units | Lead time |
|--------|--------------------|---------------------|-----------------|-----------|
| 1 | 09 30 30 171 90 | screw | 4 | 2 |
| 2 | 04 30 31 024 01 90 | fixing set | 2 | 2 |
| 3 | 04 17 20 127 00 90 | holder | 1 | 2 |
| 4 | 09 31 20 064 90 | plug | 2 | 2 |
| 5 | 09 31 20 092 90 | plug | 3 | 2 |
| 6 | 09 14 10 139 90 | seal | 3 | 2 |
| 7 | 09 31 20 039 10 90 | plug | 3 | 60 |
| 8 | 09 31 20 093 90 | plug | 1 | 2 |
| 9 | 09 31 20 094 90 | plug | 1 | 2 |
| 10 | 09 14 10 112 90 | seal | 2 | 2 |
| 11 | 04 30 11 149 00 90 | plug | 2 | 2 |
| 12 | 90 23 01 040 00 90 | back-flow preventer | 2 | 2 |
| 13 | 04 29 05 031 01 90 | insert | 2 | 2 |
| 14 | 09 14 10 512 90 | seal | 1 | 2 |
| 15 | 04 21 02 146 00 90 | cap | 1 | 2 |
| 16 | 09 30 30 112 90 | screw | 3 | 2 |
| 17 | 04 14 03 080 00 90 | gasket kit | 1 | 2 |