

Single-lever mixer Pull-down with spray function

META SQUARE

33 870 861



- 240 mm projection
- pivotable spout 360°
- laminar and spray flow
- height of mixer 386 mm
- height up to laminar flow regulator 183 mm
- hole diameter 35 mm
- 2 x pressure hose with 3/8" cap nut
- 1800 mm metal shower hose
- sprayface with anti-scaling system
- max. flow 5.7 l/min at 3 bar flow pressure
- lead-free
- This product can help a building to meet requirements of Green Building Rating Systems, e.g. LEED®, BREEAM®, DGNB, WELL

Intrinsic protection against back flow.

Push button locks into spray mode when pressed. To switch back to laminar flow the water must be turned off.

	Brushed Durabronze (23kt Gold)	33 870 861-28 0010
	Chrome	33 870 861-00 0010
	Brushed Platinum	33 870 861-06 0010
	Platinum	33 870 861-08 0010
	Durabronze (23kt Gold)	33 870 861-09 0010
	Dark Chrome	33 870 861-19 0010
	Matte Black	33 870 861-33 0010
	Brushed Champagne (22kt Gold)	33 870 861-46 0010
	Champagne (22kt Gold)	33 870 861-47 0010
	Brushed Chrome	33 870 861-93 0010
	Brushed Dark Platinum	33 870 861-99 0010

Recommended miscellaneous

Swivel limitation set

12 823 970 90



Recommended miscellaneous

AIR SWITCH Control button

10 713 970-28



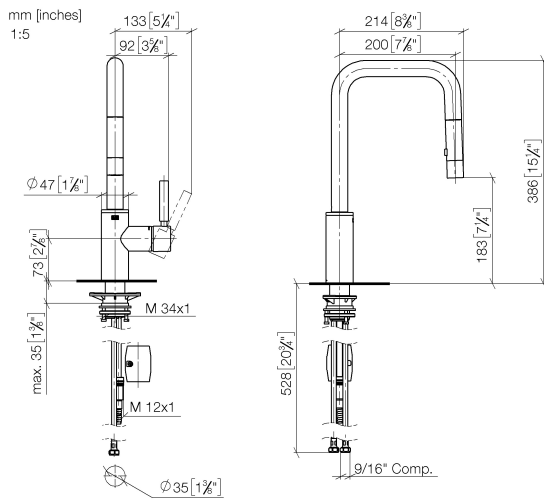
Recommended miscellaneous

Dispenser without rosette

82 424 970-28



33 870 861



Flow rate chart

