

33 500 665

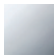


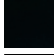



- 167 mm projection
- progressive cartridge
- US pop-up waste (only used in the USA)
- pivotable spout 360°
- circular, air-enriched flow
- height of mixer 310 mm
- height up to aerator 225 mm
- hole diameter 35 mm
- 2 x pressure hose with 3/8" cap nut
- max. flow 4.5 l/min
- lead-free

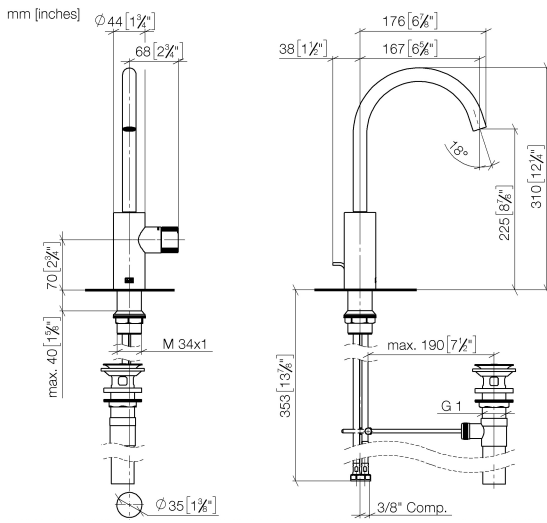
Codes & standards

- NSF/ANSI 372

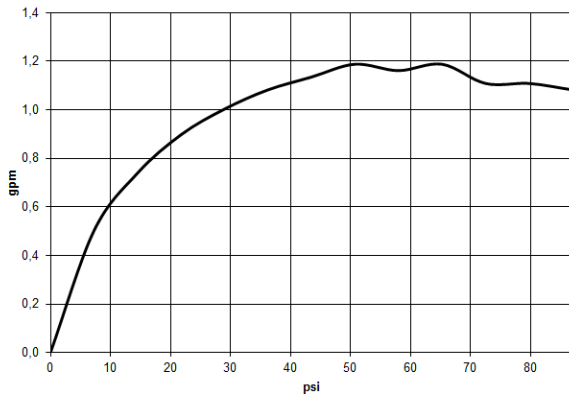
Only suitable for basins with an overflow.

	Chrome	33 500 665-00 0010
	Brushed Platinum	33 500 665-06 0010
	Dark Chrome	33 500 665-19 0010
	Matte Black	33 500 665-33 0010
	Brushed Chrome	33 500 665-93 0010

33 500 665



Flow rate chart



Codes & Standards

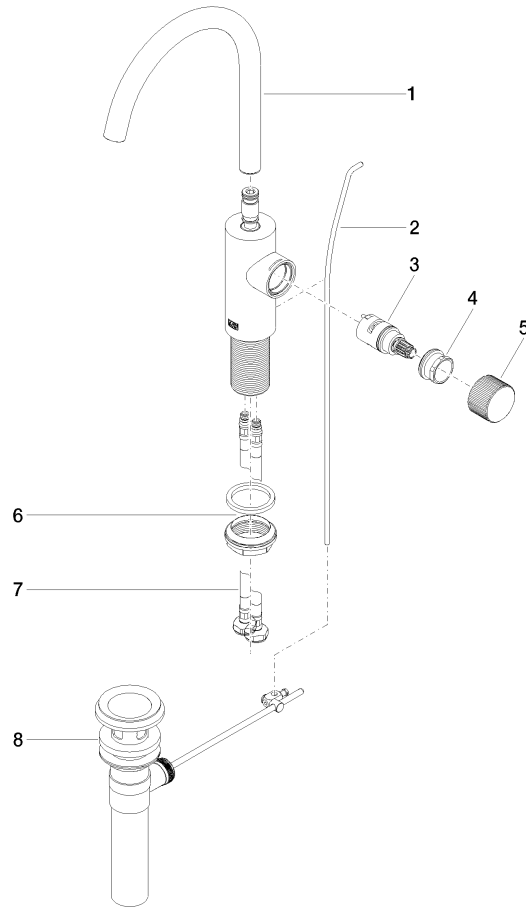
ASME
A112.18.1/CSA
B125.1

California Energy
Commission
(CEC)

NSF/ANSI 372

NSF/ANSI/CAN
61

33 500 665



Spare parts list

No.	Item Number	Name	Quantity used	Delivery time
1	90 28 22 320 01-00	spout	1	10
2	09 31 09 110-00	pull-rod	1	10
3	90 90 03 169 00 90	top	1	2
4	09 24 04 266 90	nut	1	2
5	09 20 66 011-00	handle	1	10
6	04 23 10 044 07 90	fixing set	1	2
7	04 30 04 102 00 90	High pressure hose 3/8"	2	2
8	04 11 01 023 00-00	Basin Waste US 1 1/4"	1	2