



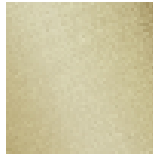
Kitchen - Sync

Profi single-lever mixer - Brushed Durabronz

Article number: 33 865 895-28 0010



- 7-7/8" Projection
- Flexible silicone hose with large operating range of up to 13-3/4"
- Swiveling 360°
- Optional restriction, swivels 110°
- Aerated stream and spray mode
- Total height 17-3/4"
- Height to aerator/spout outlet 4-5/8"
- 1-3/8" hole diameter
- Sprayface with descaling system
- Water flow rate limited to max. 1.5 gpm
- lead-free
- Internal backflow preventer.



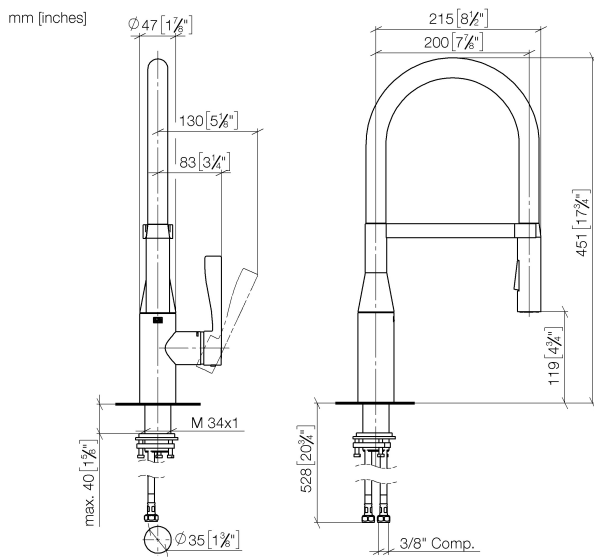
Brushed Durabronz

Discontinued items available to order until 31.12.9999



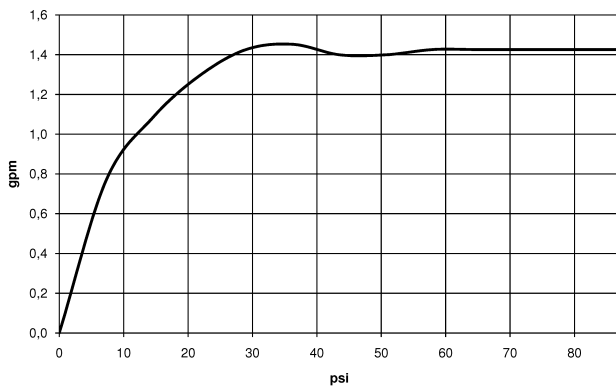
Kitchen - Sync
Profi single-lever mixer - Brushed Durabronz
Article number: 33 865 895-28 0010

Dimensional drawing



All dimensions in mm / inch = mm x 0,0394

Flow rate chart



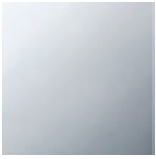


Kitchen - Sync

Profi single-lever mixer - Brushed Durabronz

Article number: 33 865 895-28 0010

Other surface finishes



polished chrome

33 865 895-00 0010



platinum matte

33 865 895-06 0010



platinum

33 865 895-08 0010



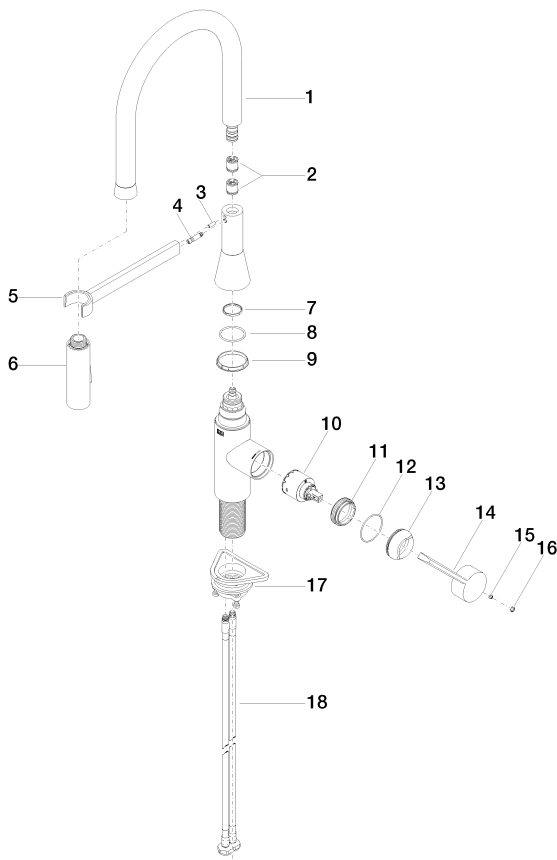
Dark Platinum matte

33 865 895-99 0010

More custom finish options are available via special production (xTra Service). Please see our finish matrix for availability and pricing or contact a Dornbracht representative.

Kitchen - Sync
 Profi single-lever mixer - Brushed Durabross
 Article number: 33 865 895-28 0010

Spare parts list



Number	Item Number	Designation	Number of units
1	90 30 02 100 00-28	Tube For flexible spout Complete set Ø 40 x 495 mm - Brushed Durabross	1
2	09 23 01 141 90	Back-flow preventer Without regulator Ø 15 x 16 mm -	2
3	09 31 11 040 90	Straight pin Ø 6 x12 mm -	1
4	09 31 11 209 90	Mounting bracket Threaded pin With shaft Ø 6 x 28 mm -	1
5	90 17 20 045 00-28	Holder Shower arm 150 x 225 x 90 mm - Brushed Durabross	1
6	04 12 11 150 00 90	shower head Sprayer 42 x 108 x 38 mm -	1
7	09 28 10 160 90	Ring 25,63 x 2,8 x 25,95 mm -	1
8	09 14 10 040 90	O-Ring 31,0 x 2,0 mm -	1
9	09 28 10 161 90	Ring 42,99 x 5 x 42,95 mm -	1
10	90 15 05 062 00 90	cartridge black Ø 35 x 56 mm -	1
11	09 23 10 072 90	Mounting bracket Nut M38 x 1 -	1
12	09 14 10 190 90	O-Ring EPDM 70 38,0 x 1,5 mm -	1
13	09 28 30 030-28	Hood Ø 42 x 17 mm - Brushed Durabross	1
14	09 20 89 020-28	Handle Lever 142 x 44,50 x 23 mm - Brushed Durabross	1
15	09 31 11 063 90	Mounting bracket Threaded pin With hex socket With cup point M5 x 4 mm -	1
16	90 31 20 087 00-28	Cover Ø 7 x 2,1 mm - Brushed Durabross	1
17	04 30 11 040 00 90	Mounting bracket For sink Vertical assembly With spacer M34 x 1 -	1
18	04 30 04 103 00 90	Flexible supply line M8x1 x 9/16" x 600 mm -	2