

20 713 809 Product version from 3/13/2017 to 5/27/2021



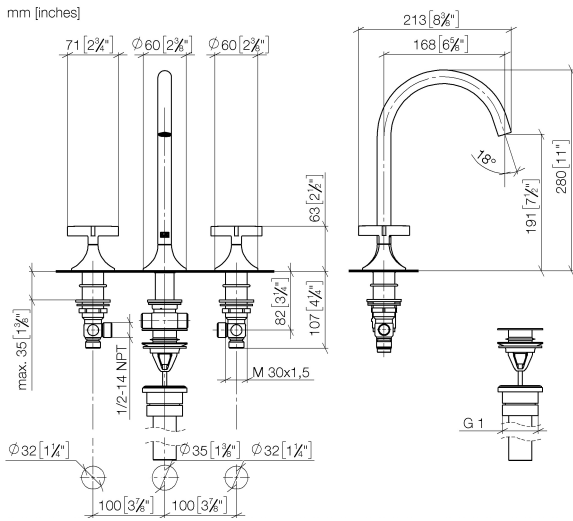
- 6-5/8" Projection
- US drain with overflow
- Swiveling spout 360°
- Round aerated stream
- Total height 11"
- Height to aerator/spout outlet 7-1/2"
- Valve hole diameter 1-1/4"
- Spout hole diameter 1-3/8"
- Flange diameter 2-3/8"
- Water flow rate limited to max. 1.2 gpm
- lead-free
- This product can help a building meet the requirements of Green Building Rating Systems, e.g. LEED®, BREEAM®, DGNB

(ADA)

Suitable only for basins with overflow.

	Chrome	20 713 809-00 0010
	Brushed Platinum	20 713 809-06 0010
	Platinum	20 713 809-08 0010
	Dark Chrome	20 713 809-19 0010
	Brushed Light Gold (PVD)	20 713 809-27 0010
	Brushed Durabrass (23kt Gold)	20 713 809-28 0010
	Brushed Dark Brass (PVD)	20 713 809-39 0010
	Brushed Bronze (PVD)	20 713 809-42 0010
	Brushed Dark Bronze (PVD)	20 713 809-43 0010
	Brushed Champagne (22kt Gold)	20 713 809-46 0010
	Champagne (22kt Gold)	20 713 809-47 0010
	Brushed Dark Platinum	20 713 809-99 0010

20 713 809 Product version from 3/13/2017 to 5/27/2021



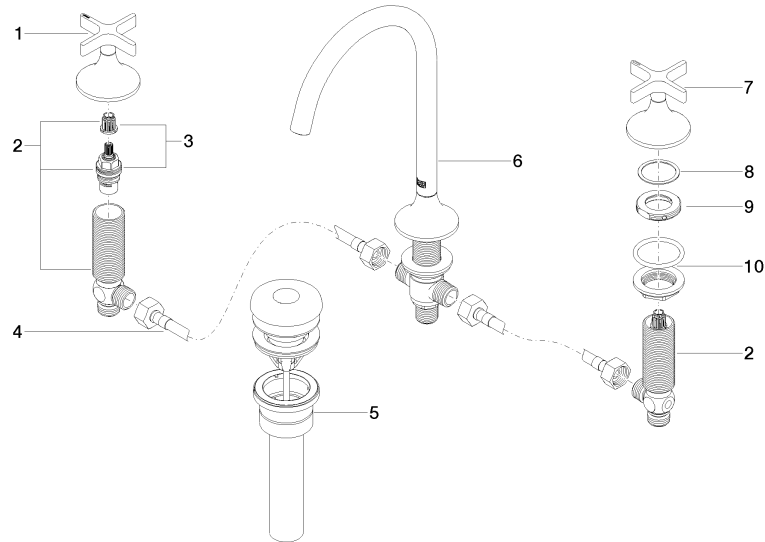
Codes & Standards

ADA	ASME A112.18.1	California Energy Commission (CEC)	cUPC
EPA WaterSense	NSF372	NSF61	WaterSense



Certificates and sustainability

IAPMO_N-4	IAPMO_8834	IAPMO_6	IAPMO_4976	EPD-DOR-20230287 -IBA1-EN Environmental product-declarat
-----------	------------	---------	------------	--



Spare parts list

Number	Item Number	Designation	Number of units	Lead time
7	90 20 80 010 00-00	Handle For bathtub / washbasin Vertical assembly Cold Ø 71 x 63 mm - Chrome	1.00	10
3	90 90 03 151 00 90	Cartridge clockwise-closing 1/2" -	2.00	2
1	90 20 80 011 00-00	Handle For deck valve Hot Ø 71 x 63 mm - Chrome	1.00	10
2	04 17 11 055 51 90	Deck valve clockwise-closing 1/2" -	2.00	2
4	04 30 04 096 00 90	Flexible supply line With union nut 1/2" x 1/2" x 15-3/4" -	2.00	2
9	09 24 01 028 90	Ring Ø 42 x 9 mm -	2.00	2
10	04 23 10 032 46 90	Mounting bracket With seals M30 x 1,5 -	2.00	2
5	10 125 970-00 0010	Umbrella drain 1 1/4" - Chrome	1.00	2
6	13 716 809-00 0010	VAIA Lavatory spout, deck-mounted without drain - Chrome	1.00	-
Spare part can no longer be ordered, please order the replacement item				
8	09 28 10 003 90	Washer 39 x 32,5 x1 mm -	2.00	2