

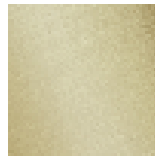


Kitchen - MEM

Soap dispenser with flange - Brushed Durabross

Article number: 82 439 970-28

- 4-7/8" Projection
- 16.91 oz bottle capacity
- Refillable above countertop
- 360° swivel
- Height 4-7/8"
- 1" hole diameter
- Individual flanges 2-1/8" x 2-1/8"

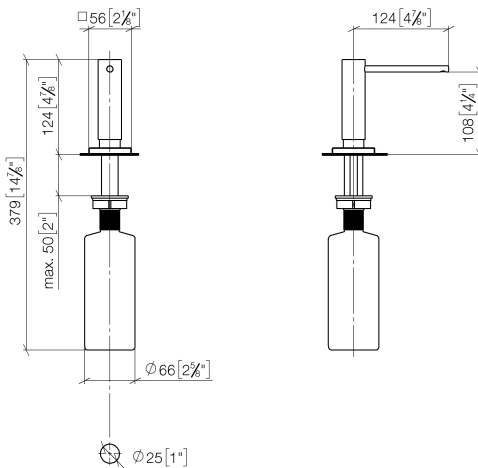


Brushed Durabross

Discontinued items available to order until 31.12.9999

Dimensional drawing

mm [inches]



All dimensions in mm / inch = mm x 0,0394



Kitchen - MEM

Soap dispenser with flange - Brushed Durabrass

Article number: 82 439 970-28



Kitchen - MEM

Soap dispenser with flange - Brushed Durabross

Article number: 82 439 970-28

Other surface finishes



polished chrome
82 439 970-00



platinum matte
82 439 970-06



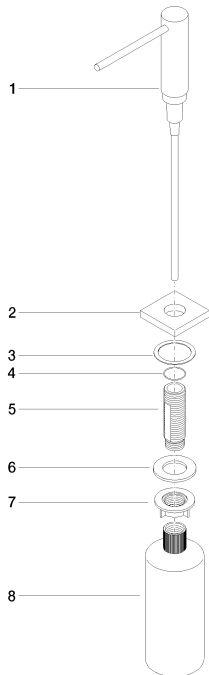
platinum
82 439 970-08



Dark Platinum matte
82 439 970-99

More custom finish options are available via special production (xTra Service). Please see our finish matrix for availability and pricing or contact a Dornbracht representative.

Spare parts list



Number	Item Number	Designation	Number of units
1	90 10 10 538 00-28	Soap dispenser Head cmlpt. Recessed version with flange - Brushed Durabross	1
2	08 27 97 505-28	Escutcheon 55 x 55 x 9 mm - Brushed Durabross	1
3	08 10 10 624 90	Washer Ø 46,5 x 37 x 1 mm -	1
4	09 14 10 151 90	O-Ring 23 x 1 mm -	1
5	08 10 10 527 90	Shaft Shaft M24x1.25 M24 x 1,25 x 99 mm -	1
6	09 14 05 014 90	Washer NBR 70 48,0 x 27,0 x 3,0 mm -	1
7	08 10 10 517 90	Nut Shaft - Dispenser 45 x 45 x 15 mm -	1
8	08 10 10 603 90	Bottle For built-in dispenser 500 ml -	1