

36 712 819 Product version from 3/13/2017



- 7-1/2" Projection
- Rigid spout
- Round aerated stream
- Valve hole diameter 1-3/8"
- Spout hole diameter 1-3/8"
- Flanges, diameter 2-3/8"
- Water flow rate limited to max. 1.2 gpm
- lead-free
- This product can help a building meet the requirements of Green Building Rating Systems, e.g. LEED®, BREEAM®, DGNB **(ADA)**

(ADA)

| | | |
|---|-------------------------------|--------------------|
|  | Chrome | 36 712 819-00 0010 |
|  | Brushed Platinum | 36 712 819-06 0010 |
|  | Platinum | 36 712 819-08 0010 |
|  | Dark Chrome | 36 712 819-19 0010 |
|  | Brushed Light Gold (PVD) | 36 712 819-27 0010 |
|  | Brushed Durabrass (23kt Gold) | 36 712 819-28 0010 |
|  | Brushed Dark Brass (PVD) | 36 712 819-39 0010 |
|  | Brushed Bronze (PVD) | 36 712 819-42 0010 |
|  | Brushed Dark Bronze (PVD) | 36 712 819-43 0010 |
|  | Brushed Champagne (22kt Gold) | 36 712 819-46 0010 |
|  | Champagne (22kt Gold) | 36 712 819-47 0010 |
|  | Brushed Dark Platinum | 36 712 819-99 0010 |

Required article



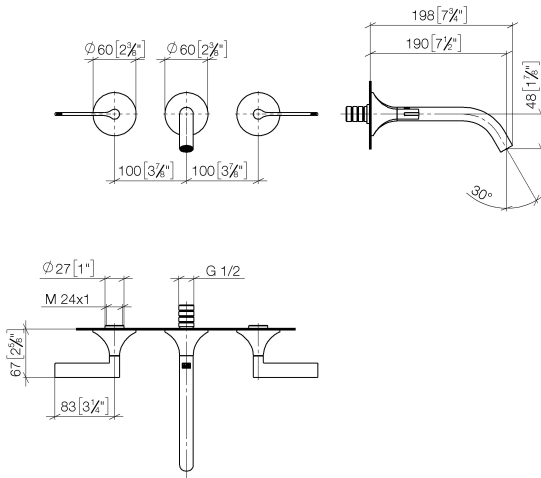
- Rough for wall-mounted faucet flexible positioning -** 35 720 970-90 0010
- Min. rough in depth 3-3/8"
 - Max. rough in depth 5-3/4"

Required article



- Rough for wall-mounted faucet , spout in center -** 35 700 970-90 0010
- Min. rough in depth 3-3/8"
 - Max. rough in depth 5-3/4"

36 712 819 Product version from 3/13/2017



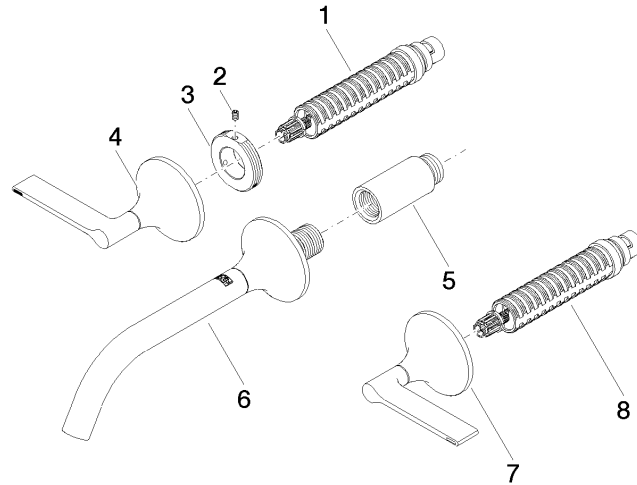
Codes & Standards

| | | | |
|----------------|----------------|------------------------------------|------------|
| ADA | ASME A112.18.1 | California Energy Commission (CEC) | cUPC |
| EPA WaterSense | NSF372 | NSF61 | WaterSense |



Certificates and sustainability

| | | | | |
|--------------|------------|--------------|------------|--|
| IAPMO_N-4976 | IAPMO_6397 | IAPMO_4976 (| IAPMO_8834 | EPD-DOR-20230287 -IBA1-EN Environmental product-declarat |
|--------------|------------|--------------|------------|--|



Spare parts list

| Number | Item Number | Designation | Number of units | Lead time |
|--|--------------------|--|-----------------|-----------|
| 1 | 90 90 03 156 00 90 | Cartridge counter-clockwise closing 1/2" - | 1.00 | 2 |
| 7 | 90 20 80 012 00-00 | Handle For deck valve Cold Lever 113 x 68 x 60 mm - Chrome | 1.00 | 10 |
| 4 | 90 20 80 013 00-00 | Handle For deck valve Hot Lever 113 x 68 x 60 mm - Chrome | 1.00 | 10 |
| 3 | 09 21 02 163 90 | Mounting bracket Ø 42 x 18 mm - | 2.00 | 2 |
| 6 | 13 800 809-00 0010 | VAIA Lavatory spout, wall-mounted without drain - Chrome | 1.00 | - |
| Spare part can no longer be ordered, please order the replacement item | | | | |
| 8 | 90 90 03 157 00 90 | Cartridge clockwise-closing 1/2" - | 1.00 | 2 |
| 2 | 09 31 11 008 90 | Mounting bracket Threaded pin With hex socket M4 x 6 mm - | 2.00 | 2 |
| 5 | 09 24 03 081 10 90 | Extension 1/2" x 50 mm - | 1.00 | 2 |