

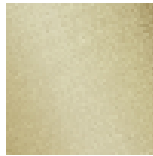


Kitchen - Tara Ultra

Single-lever mixer For sprayer / professional sprayer - Brushed Durabronz

Article number: 33 826 875-28 0010

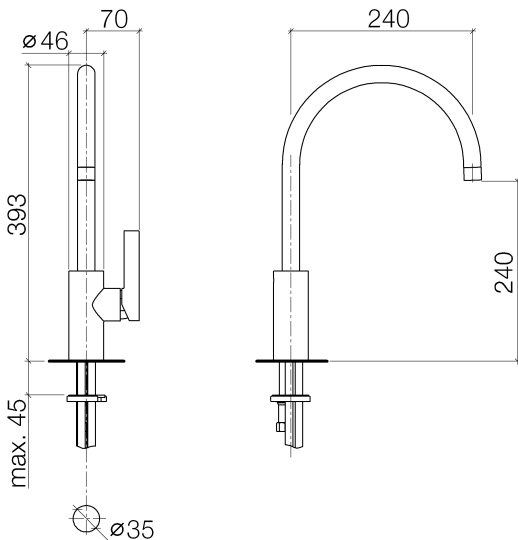
- 9-1/2" Projection
- Swiveling spout 360°
- Areated stream
- Total height 15-1/2"
- Height to aerator/spout outlet 9-1/2"
- Single-lever mixer hole diameter 1-3/8"
- Water flow rate limited to max. 1.5 gpm
- lead-free
- Single-lever mixer for use with rinsers and professional sprayers



Brushed Durabronz

Discontinued items available to order until 31.12.9999

Dimensional drawing





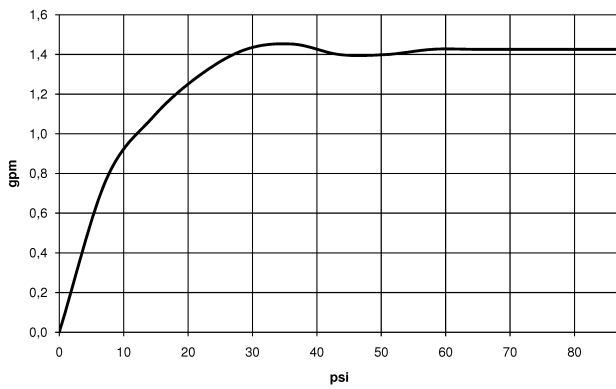
Kitchen - Tara Ultra

Single-lever mixer For sprayer / professional sprayer - Brushed Durabross

Article number: 33 826 875-28 0010

All dimensions in mm / inch = mm x 0,0394

Flow rate chart



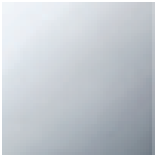


Kitchen - Tara Ultra

Single-lever mixer For sprayer / professional sprayer - Brushed Durabronz

Article number: 33 826 875-28 0010

Other surface finishes



polished chrome

33 826 875-00 0010



platinum matte

33 826 875-06 0010



platinum

33 826 875-08 0010



Dark Platinum matte

33 826 875-99 0010

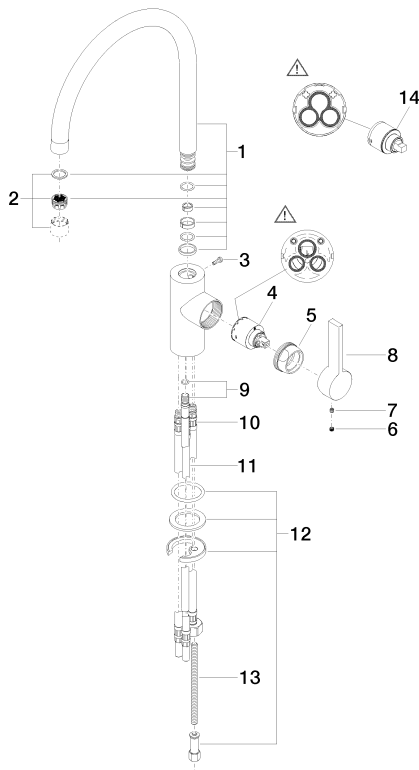
More custom finish options are available via special production (xTra Service). Please see our finish matrix for availability and pricing or contact a Dornbracht representative.

Kitchen - Tara Ultra

Single-lever mixer For sprayer / professional sprayer - Brushed Durabron

Article number: 33 826 875-28 0010

Spare parts list



Number	Item Number	Designation	Number of units
1	90 28 22 202 03-28	Outlet 240 mm, 1.5 gpm - Brushed Durabron	1
2	90 23 01 004 02-28	Aerator 1.5 gpm - Brushed Durabron	1
3	09 30 30 080 90	Mounting bracket Cylinder screw With hex socket Low head M4 x 12 mm -	1
4	90 15 05 061 00 90	cartridge black Ø 35 x 52 mm -	1
5	09 24 04 107-28	Wall connection Ø 40 x 20 mm - Brushed Durabron	1
6	09 31 20 109 90	Plug -	1
7	09 31 11 030 90	Mounting bracket Threaded pin With hex socket With cup point M5 x 5 mm -	1
8	09 20 79 040-28	Handle Lever 120 x 43 x 23 mm - Brushed Durabron	1
9	04 24 02 046 01-07	Wall connection 11-3/4" - Rough nickel-plated	1
10	04 30 04 019 00 90	Flexible supply line With union nut M10x1 x 1/2" x 420 mm -	1
11	04 30 04 045 00 90	Flexible supply line Short shaft 3/8" -	2
12	04 30 11 038 75 90	Mounting bracket with O-Ring Ø36 x 4 mm Ø 52 x 1,5 mm -	1
13	09 31 11 091 90	Mounting bracket Threaded bolts M8 x 130 mm -	1
14	90 15 05 034 00 90	cartridge Ø 35 x 52 mm -	1