



Kitchen - Tara Ultra
Single-lever mixer - Brushed Durabross
Article number: 33 816 875-28 0010

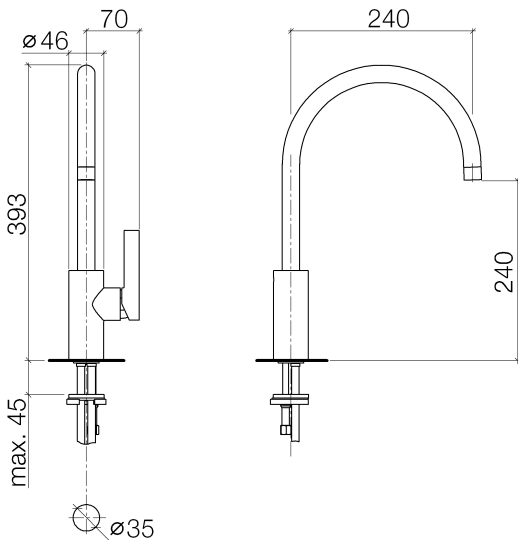
- 9-1/2" Projection
- Swiveling spout 360°
- Areated stream
- Total height 15-1/2"
- Height to aerator/spout outlet 9-1/2"
- 1-3/8" hole diameter
- Water flow rate limited to max. 1.5 gpm
- lead-free



Brushed Durabross

Discontinued items available to order until 31.12.9999

Dimensional drawing



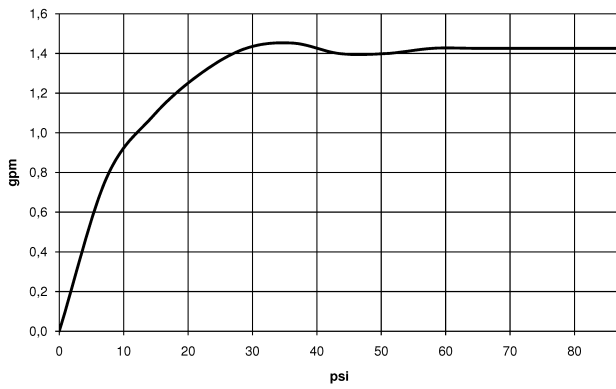
All dimensions in mm / inch = mm x 0,0394

Model/program/technical modifications and error excepted
For more information see: www.dornbracht.com + 49 (0) 2371 88999 950 mail@dornbracht.com



Kitchen - Tara Ultra
Single-lever mixer - Brushed Durabrass
Article number: 33 816 875-28 0010

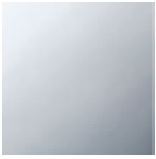
Flow rate chart





Kitchen - Tara Ultra
Single-lever mixer - Brushed Durabrass
Article number: 33 816 875-28 0010

Other surface finishes



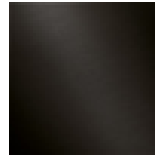
polished chrome
33 816 875-00 0010



platinum matte
33 816 875-06 0010



platinum
33 816 875-08 0010

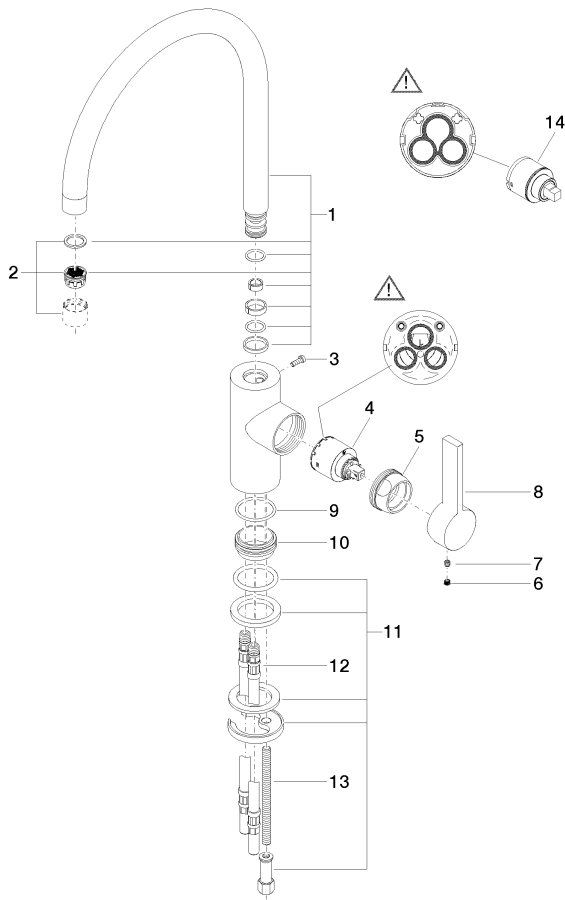


Dark Platinum matte
33 816 875-99 0010

More custom finish options are available via special production (xTra Service). Please see our finish matrix for availability and pricing or contact a Dornbracht representative.

Kitchen - Tara Ultra
Single-lever mixer - Brushed Durabross
Article number: 33 816 875-28 0010

Spare parts list



Number	Item Number	Designation	Number of units
1	90 28 22 202 03-28	Outlet 240 mm, 1.5 gpm - Brushed Durabross	1
2	90 23 01 004 02-28	Aerator 1.5 gpm - Brushed Durabross	1
3	09 30 30 080 90	Mounting bracket Cylinder screw With hex socket Low head M4 x 12 mm -	1
4	90 15 05 061 00 90	cartridge black Ø 35 x 52 mm -	1
5	09 24 04 107-28	Wall connection Ø 40 x 20 mm - Brushed Durabross	1
6	09 31 20 109 90	Plug -	1
7	09 31 11 030 90	Mounting bracket Threaded pin With hex socket With cup point M5 x 5 mm -	1
8	09 20 79 040-28	Handle Lever 120 x 43 x 23 mm - Brushed Durabross	1
9	09 14 10 119 90	O-Ring EPDM 70 33,0 x 2,5 mm -	1
10	09 28 10 109-07	Ring Ø 38,8 x 17 mm - Rough nickel-plated	1
11	04 30 11 085 88 90	Mounting bracket with O-Ring Ø34 x 4 mm With spacer sleeve Ø 52 x 1,5 mm -	1
12	04 30 04 045 00 90	Flexible supply line Short shaft 3/8" -	2
13	09 31 11 012 90	Mounting bracket Threaded bolts M8 x110 mm -	1
14	90 15 05 034 00 90	cartridge Ø 35 x 52 mm -	1