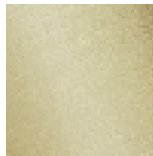




Kitchen - Tara Classic
Single-lever mixer - Brushed Durabross
Article number: 33 815 888-28 0010



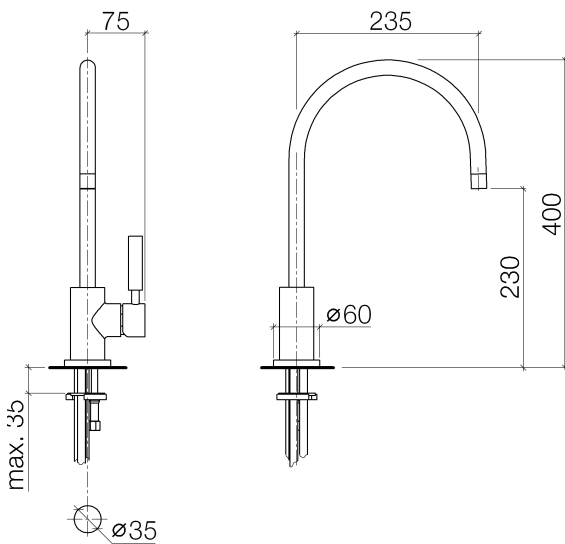
- 9-1/4" Projection
- Swiveling spout 360°
- Areated stream
- Total height 15-3/4"
- Height to aerator/spout outlet 9"
- 1-3/8" hole diameter
- Water flow rate limited to max. 1.5 gpm
- lead-free



Brushed Durabross

Discontinued items available to order until 31.12.9999

Dimensional drawing



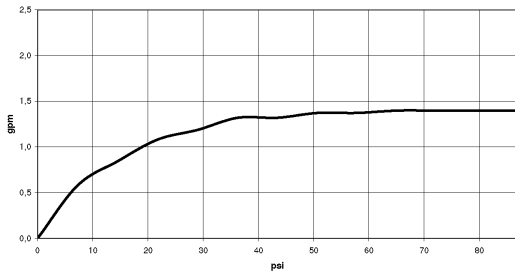
All dimensions in mm / inch = mm x 0,0394

Model/program/technical modifications and error excepted
For more information see: www.dornbracht.com + 49 (0) 2371 88999 950 mail@dornbracht.com



Kitchen - Tara Classic
Single-lever mixer - Brushed Durabross
Article number: 33 815 888-28 0010

Flow rate chart





Kitchen - Tara Classic
Single-lever mixer - Brushed Durabrass
Article number: 33 815 888-28 0010

Other surface finishes



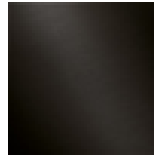
polished chrome
33 815 888-00 0010



platinum matte
33 815 888-06 0010



platinum
33 815 888-08 0010

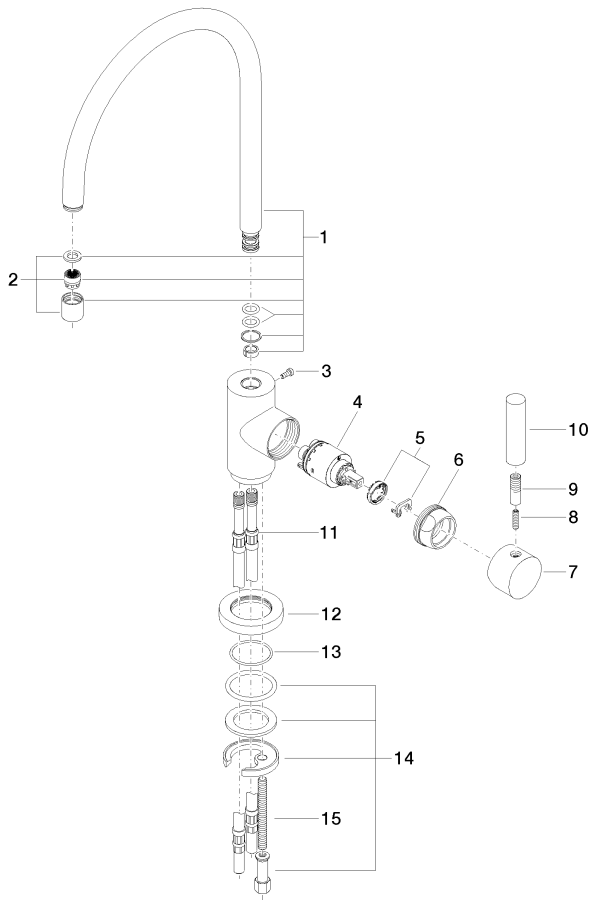


Dark Platinum matte
33 815 888-99 0010

More custom finish options are available via special production (xTra Service). Please see our finish matrix for availability and pricing or contact a Dornbracht representative.

Kitchen - Tara Classic
Single-lever mixer - Brushed Durabross
Article number: 33 815 888-28 0010

Spare parts list



Number	Item Number	Designation	Number of units
1	90 28 22 049 03-28	Outlet 319 x 260 x 25 mm, 1.5 gpm - Brushed Durabross	1
2	90 23 01 028 00-28	Aerator low pressure M18 - Brushed Durabross	1
3	09 30 30 054 90	Mounting bracket Cylinder screw With hex socket With low head M4 x 10 mm -	1
4	90 15 05 063 00 90	cartridge black Ø 35 x 70 mm -	1
5	04 28 10 148 00 90	cartridge Flow and temperature regulation -	1
6	09 24 04 107-28	Wall connection Ø 40 x 20 mm - Brushed Durabross	1
7	90 20 88 040 00-28	Handle Lever base 98 x 64 x 64 mm - Brushed Durabross	1
8	09 31 11 010 90	Mounting bracket Threaded pin With hex socket Self-locking M5 x 20 mm -	1
9	09 24 04 048-28	Handle Lever Ø 10 x 30 mm - Brushed Durabross	1
10	11 170 880-28	Lever - Brushed Durabross	1
11	04 30 04 044 00 90	Flexible supply line Long shaft M10x1 x 420 mm -	2
12	09 28 10 055-28	Escutcheon Ø 60 x Ø 38,2 x 10 mm - Brushed Durabross	1
13	09 14 10 034 90	O-Ring EPDM 70 38,0 x 2,0 mm -	1
14	04 30 11 038 00 90	Mounting bracket with O-Ring Ø40 x 4 mm Ø 52 x 1,5 mm -	1
15	09 31 11 011 90	Mounting bracket Threaded bolts M8 x 80 mm -	1