



Kitchen - Tara Ultra
BAR TAP Single-lever mixer - Brushed Durabronz
Article number: 33 805 875-28 0010

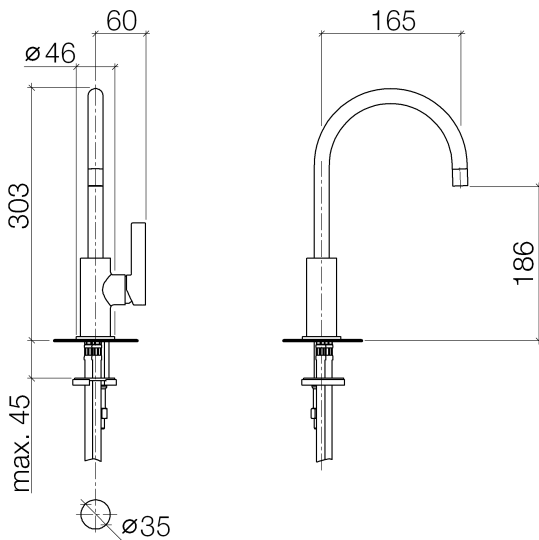
- 6-1/2" Projection
- Swiveling spout 360°
- Laminar stream
- Total height 11-7/8"
- 7-3/8" height to aerator/spout outlet
- 1-3/8" hole diameter
- Water flow rate limited to max. 1.5 gpm
- lead-free



Brushed Durabronz

Discontinued items available to order until 31.12.9999

Dimensional drawing



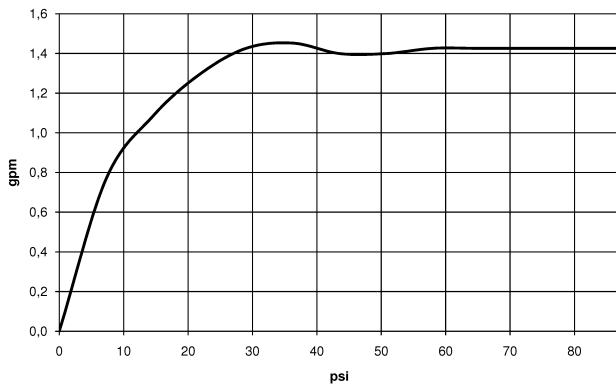
All dimensions in mm / inch = mm x 0,0394

Model/program/technical modifications and error excepted
For more information see: www.dornbracht.com + 49 (0) 2371 88999 950 mail@dornbracht.com



Kitchen - Tara Ultra
BAR TAP Single-lever mixer - Brushed Durabronze
Article number: 33 805 875-28 0010

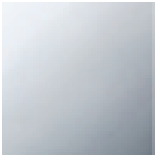
Flow rate chart





Kitchen - Tara Ultra
BAR TAP Single-lever mixer - Brushed Durabronze
Article number: 33 805 875-28 0010

Other surface finishes



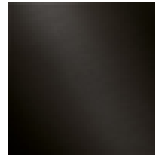
polished chrome
33 805 875-00 0010



platinum matte
33 805 875-06 0010



platinum
33 805 875-08 0010

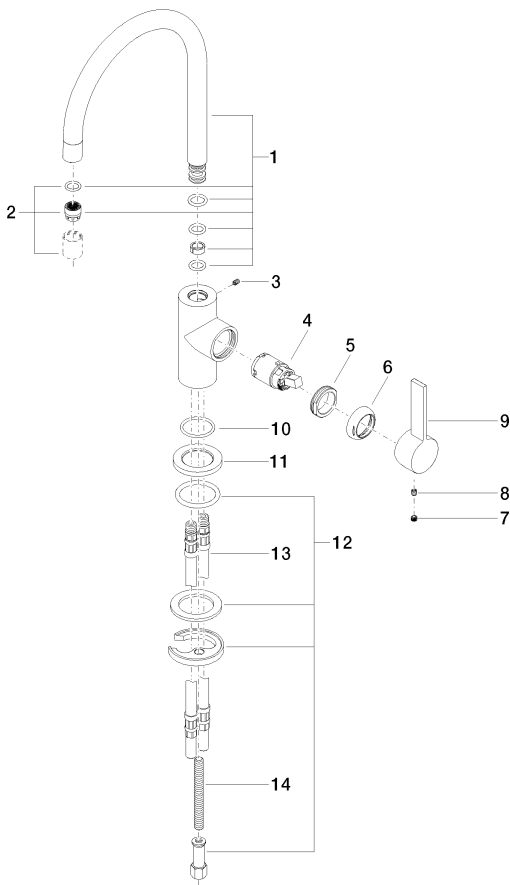


Dark Platinum matte
33 805 875-99 0010

More custom finish options are available via special production (xTra Service). Please see our finish matrix for availability and pricing or contact a Dornbracht representative.

Kitchen - Tara Ultra
BAR TAP Single-lever mixer - Brushed Durabron
 Article number: 33 805 875-28 0010

Spare parts list



Number	Item Number	Designation	Number of units
1	90 28 22 206 01-28	Outlet 165 mm, 1.5 gpm - Brushed Durabron	1
2	90 23 01 067 03-28	Aerator laminar M16x1 - Brushed Durabron	1
3	09 31 11 008 90	Mounting bracket Threaded pin With hex socket M4 x 6 mm -	1
4	09 15 05 041 90	cartridge Ø 25 x 50 mm -	1
5	09 24 04 130-07	Mounting bracket Ø 30 x 9 mm - Rough nickel-plated	1
6	09 24 04 204-28	Hood Ø 32,5 x 9 mm - Brushed Durabron	1
7	09 31 20 109 90	Plug -	1
8	09 31 11 030 90	Mounting bracket Threaded pin With hex socket With cup point M5 x 5 mm -	1
9	09 20 88 051-28	Handle Ø 36 x 22 mm - Brushed Durabron	1
10	09 14 10 118 90	O-Ring EPDM 70 27,6 x 2,4 mm -	1
11	09 27 85 001-28	Escutcheon Ø 46 x Ø 28,6 x 5 mm - Brushed Durabron	1
12	04 30 11 038 64 90	Mounting bracket with O-Ring Ø34 x 4 mm Ø 52 x 1,5 mm -	1
13	04 30 04 045 00 90	Flexible supply line Short shaft 3/8" -	2
14	09 31 11 011 90	Mounting bracket Threaded bolts M8 x 80 mm -	1