



Kitchen - Tara Ultra  
Single-lever mixer - Brushed Durabross  
Article number: 33 800 875-28 0010

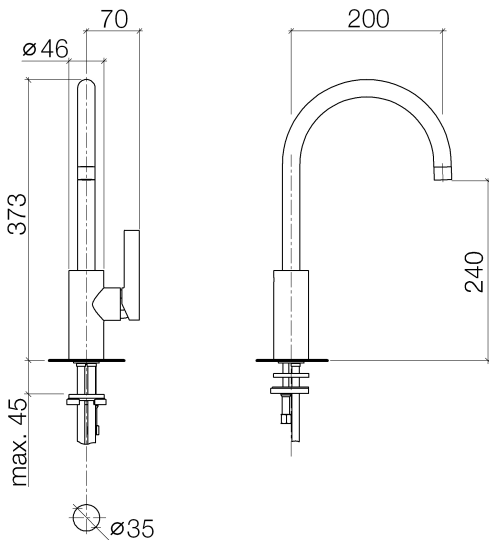
- 7-7/8" Projection
- Swiveling spout 360°
- Areated stream
- Total height 14-5/8"
- Height to aerator/spout outlet 9-1/2"
- 1-3/8" hole diameter
- Water flow rate limited to max. 1.5 gpm
- lead-free



Brushed Durabross

Discontinued items available to order until 31.12.9999

## Dimensional drawing



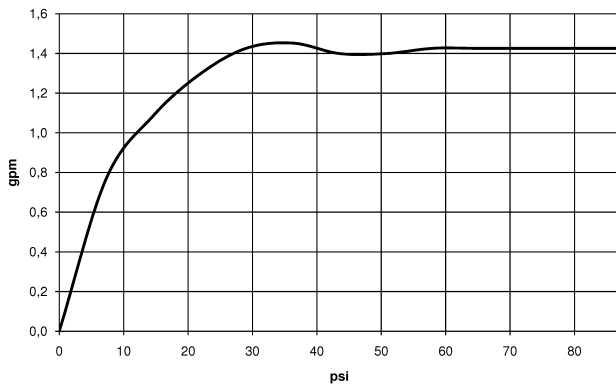
All dimensions in mm / inch = mm x 0,0394

Model/program/technical modifications and error excepted  
For more information see: [www.dornbracht.com](http://www.dornbracht.com) + 49 (0) 2371 88999 950 mail@dornbracht.com



Kitchen - Tara Ultra  
Single-lever mixer - Brushed Durabross  
Article number: 33 800 875-28 0010

### Flow rate chart





Kitchen - Tara Ultra  
Single-lever mixer - Brushed Durabrass  
Article number: 33 800 875-28 0010

### Other surface finishes



polished chrome  
33 800 875-00 0010



platinum matte  
33 800 875-06 0010



platinum  
33 800 875-08 0010

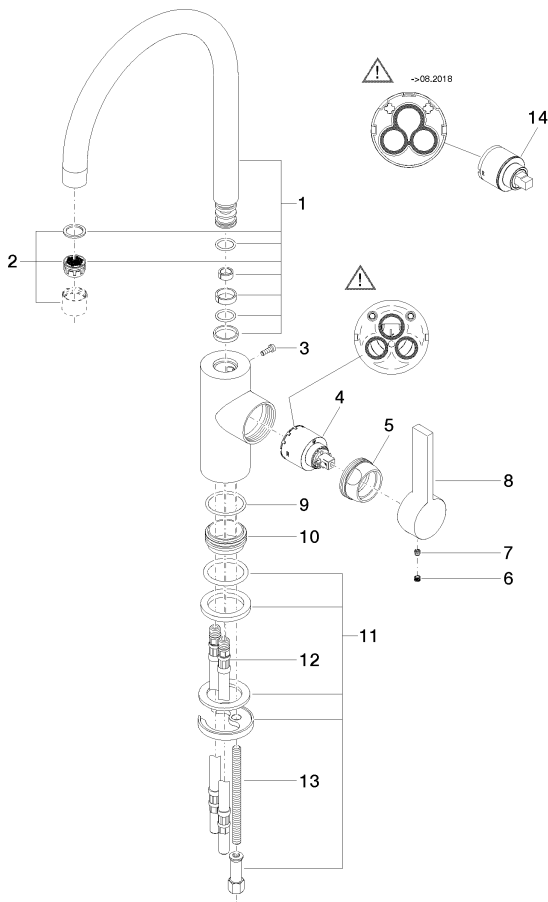


Dark Platinum matte  
33 800 875-99 0010

More custom finish options are available via special production (xTra Service). Please see our finish matrix for availability and pricing or contact a Dornbracht representative.

Kitchen - Tara Ultra  
Single-lever mixer - Brushed Durabross  
Article number: 33 800 875-28 0010

Spare parts list



| Number | Item Number        | Designation   | Number of units |
|--------|--------------------|---|-----------------|
| 1      | 90 28 22 204 03-28 | Outlet 200 mm, 1.5 gpm<br>- Brushed Durabross                                       | 1               |
| 2      | 90 23 01 004 02-28 | Aerator 1.5 gpm -<br>Brushed Durabross  | 1               |
| 3      | 09 30 30 080 90    | Mounting bracket<br>Cylinder screw With hex<br>socket Low head M4 x<br>12 mm -      | 1               |
| 4      | 90 15 05 061 00 90 | cartridge black Ø 35 x<br>52 mm -   | 1               |
| 5      | 09 24 04 107-28    | Wall connection Ø 40 x<br>20 mm - Brushed<br>Durabross                              | 1               |
| 6      | 09 31 20 109 90    | Plug -  | 1               |
| 7      | 09 31 11 030 90    | Mounting bracket<br>Threaded pin With hex<br>socket With cup point<br>M5 x 5 mm -   | 1               |
| 8      | 09 20 79 040-28    | Handle Lever 120 x 43<br>x 23 mm - Brushed<br>Durabross                             | 1               |
| 9      | 09 14 10 119 90    | O-Ring EPDM 70 33,0 x<br>2,5 mm -   | 1               |
| 10     | 09 28 10 109-07    | Ring Ø 38,8 x 17 mm -<br>Rough nickel-plated  | 1               |
| 11     | 04 30 11 085 88 90 | Mounting bracket with<br>O-Ring Ø34 x 4 mm<br>With spacer sleeve Ø<br>52 x 1,5 mm - | 1               |
| 12     | 04 30 04 045 00 90 | Flexible supply line<br>Short shaft 3/8" -  | 2               |
| 13     | 09 31 11 012 90    | Mounting bracket<br>Threaded bolts M8<br>x110 mm -                                  | 1               |
| 14     | 90 15 05 034 00 90 | cartridge Ø 35 x 52 mm<br>-   | 1               |