



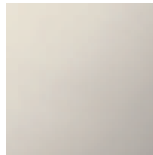
Kitchen - Lot

Two-hole mixer with individual flanges - platinum

Article number: 32 800 680-08 0010



- 9-1/4" Projection
- Swiveling spout 360°
- Areated stream
- Total height 13-5/8"
- Height to aerator/spout outlet 12-1/2"
- Individual flanges 2-1/8" x 2-1/8"
- Spout hole diameter 1-3/8"
- Single-lever mixer hole diameter 1-3/4"
- Water flow rate limited to max. 1.5 gpm
- lead-free
- Flexible positioning of components



platinum

Discontinued items available to order until 31.12.9999

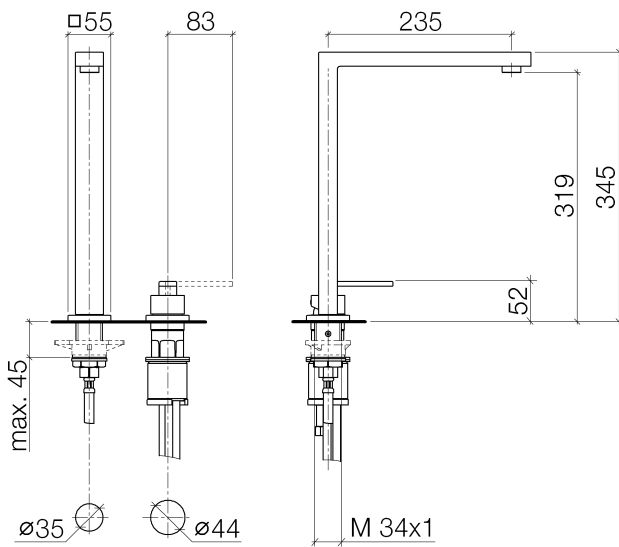


Kitchen - Lot

Two-hole mixer with individual flanges - platinum

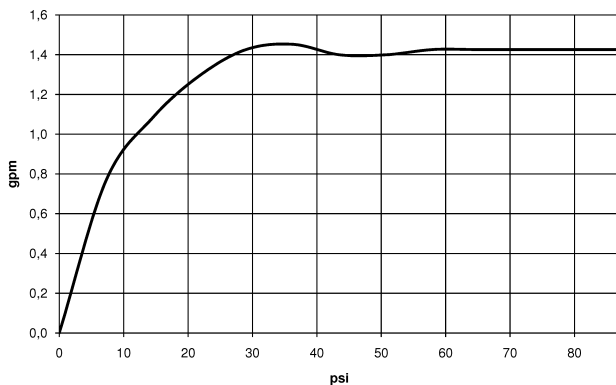
Article number: 32 800 680-08 0010

Dimensional drawing



All dimensions in mm / inch = mm x 0,0394

Flow rate chart



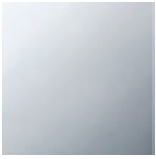


Kitchen - Lot

Two-hole mixer with individual flanges - platinum

Article number: 32 800 680-08 0010

Other surface finishes



polished chrome
32 800 680-00 0010



platinum matte
32 800 680-06 0010



Brushed Durabronze
32 800 680-28 0010



Dark Platinum matte
32 800 680-99 0010

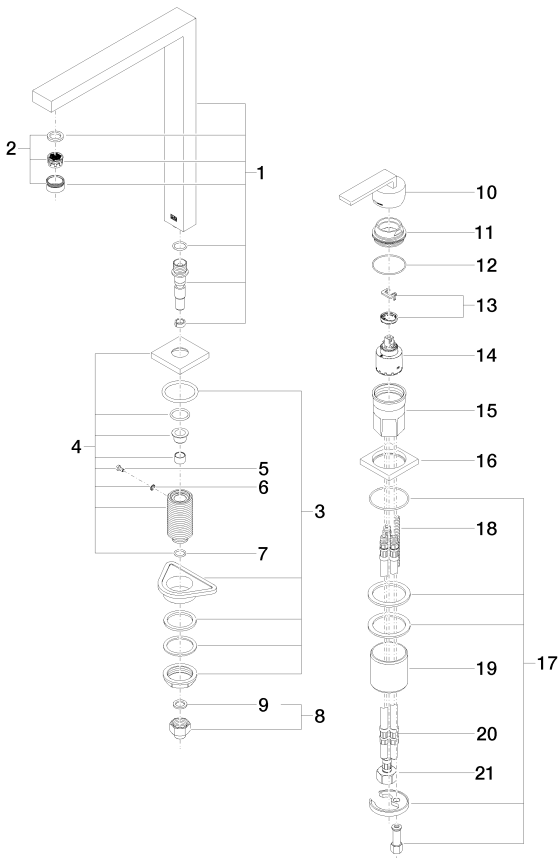
More custom finish options are available via special production (xTra Service). Please see our finish matrix for availability and pricing or contact a Dornbracht representative.

Kitchen - Lot

Two-hole mixer with individual flanges - platinum

Article number: 32 800 680-08 0010

Spare parts list



Number	Item Number	Designation	Number of units
1	90 11 06 188 08-08	Outlet 336 x 272 x 36 mm, 1.5 gpm - platinum	1
2	90 23 01 029 04-08	Aerator M24x1 - platinum	1
3	04 23 10 044 01 90	Mounting bracket With seals M34 x 1 -	1
4	90 27 78 023 00-08	Cover 57 x 72 x 57 mm - platinum	1
5	09 30 30 057 90	Mounting bracket Cylinder screw With hex socket With low head M4 x 8 mm -	1
6	09 30 11 028 90	Mounting bracket Serrated washer Ø 4,3 -	1
7	09 14 10 077 90	O-Ring EPDM 70 12,0 x 2,0 mm -	1
8	04 24 04 166 10 90	Nipple 1/2" x M10x1 -	1
9	09 14 20 002 90	Washer Vf 3110 18,5 x 12,0 x 2,0 mm -	1
10	90 20 78 040 00-08	Handle Lever 30 x 40 x 95 mm - platinum	1
11	09 24 04 142-08	Mounting bracket Ø 45 x 21,5 mm - platinum	1
12	09 14 10 037 90	O-Ring 42,0 x 1,5 . mm -	1
13	04 28 10 148 00 90	cartridge Flow and temperature regulation -	1
14	90 15 05 061 00 90	cartridge black Ø 35 x 52 mm -	1
15	09 30 01 100 10 90	Wall connection Ø 45 x 58 mm -	1
16	09 27 78 007-08	Escutcheon 55 x 8,5 x 55 x Ø 42,7 mm - platinum	1
17	04 30 11 038 02 90	Mounting bracket with O-Ring Ø49 x 2 mm Ø 52 x 1,5 mm -	1
18	09 31 11 011 90	Mounting bracket Threaded bolts M8 x 80 mm -	1
19	09 18 40 079 90	Sleeve Ø 50 x 50 mm -	1
20	04 30 04 045 00 90	Flexible supply line Short shaft 3/8" -	2
21	04 30 04 019 00 90	Flexible supply line With union nut M10x1 x 1/2" x 420 mm -	1