



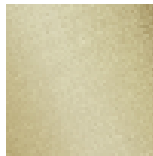
Kitchen - Tara.

Single-hole mixer - Brushed Durabron

Article number: 22 815 892-28 0010



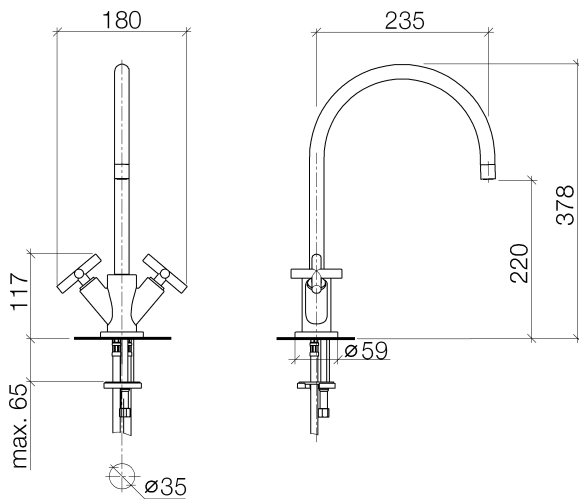
- 9-1/4" Projection
- Swiveling spout 360°
- Areated stream
- Total height 14-7/8"
- Height to aerator/spout outlet 8-5/8"
- 1-3/8" hole diameter
- Water flow rate limited to max. 1.5 gpm
- lead-free



Brushed Durabron

Discontinued items available to order until 31.12.9999

## Dimensional drawing



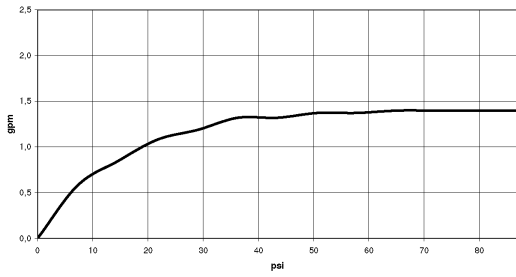
All dimensions in mm / inch = mm x 0,0394

Model/program/technical modifications and error excepted  
For more information see: [www.dornbracht.com](http://www.dornbracht.com) + 49 (0) 2371 88999 950 mail@dornbracht.com



Kitchen - Tara.  
Single-hole mixer - Brushed Durabronze  
Article number: 22 815 892-28 0010

### Flow rate chart



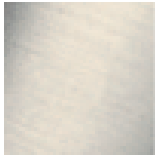


Kitchen - Tara.  
Single-hole mixer - Brushed Durabronze  
Article number: 22 815 892-28 0010

### Other surface finishes



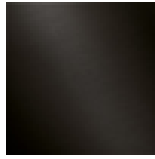
polished chrome  
22 815 892-00 0010



platinum matte  
22 815 892-06 0010



platinum  
22 815 892-08 0010

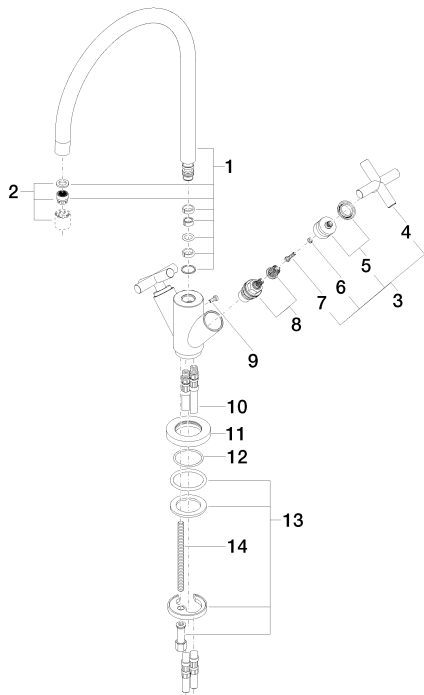


Dark Platinum matte  
22 815 892-99 0010

More custom finish options are available via special production (xTra Service). Please see our finish matrix for availability and pricing or contact a Dornbracht representative.

Kitchen - Tara.  
Single-hole mixer - Brushed Durabron  
Article number: 22 815 892-28 0010

Spare parts list



Number	Item Number	Designation	Number of units
1	90 28 22 226 02-28	Outlet 235 mm, 1.5 gpm - Brushed Durabron	1
2	90 23 01 028 00-28	Aerator low pressure M18 - Brushed Durabron	1
3	04 20 89 010 00-28	Handle 70 x 70 x 43 mm - Brushed Durabron	2
4	09 20 89 010-28	Handle 70 x 70 x 22,5 mm - Brushed Durabron	2
5	90 12 12 007 00-28	Handle Snap-in socket mount Ø 29 x 26 mm - Brushed Durabron	2
6	09 30 11 029 90	Wall connection Spring washer Ø 4 -	2
7	09 30 30 075 90	Mounting bracket Cylinder screw With hex socket Low head M4 x 20 mm -	2
8	90 90 03 151 00 90	Upper part clockwise-closing 1/2" -	2
9	09 30 30 054 90	Mounting bracket Cylinder screw With hex socket With low head M4 x 10 mm -	1
10	04 30 04 045 00 90	Flexible supply line Short shaft 3/8" -	2
11	09 28 10 132-28	Escutcheon Ø 59 x Ø 35 x 9 mm - Brushed Durabron	1
12	09 14 10 134 90	O-Ring 35,2 x 2,2 mm -	1
13	04 30 11 038 00 90	Mounting bracket with O-Ring Ø40 x 4 mm Ø 52 x 1,5 mm -	1
14	09 31 11 012 90	Mounting bracket Threaded bolts M8 x110 mm -	1