



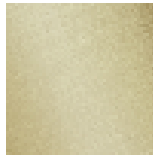
Kitchen - Tara.

Three-hole mixer - Brushed Durabron

Article number: 20 815 892-28 0010



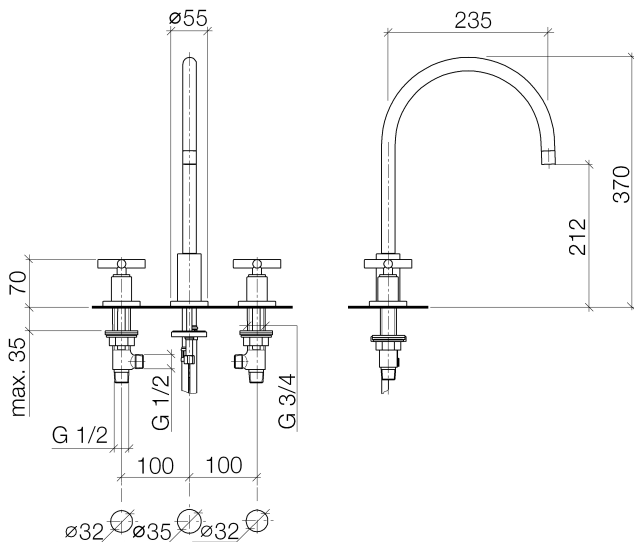
- 9-1/4" Projection
- Swiveling spout 360°
- Areated stream
- Total height 14-5/8"
- Height to aerator/spout outlet 8-3/8"
- Spout hole diameter 1-3/8"
- Valve hole diameter 1-1/4"
- Water flow rate limited to max. 1.5 gpm
- lead-free



Brushed Durabron

Discontinued items available to order until 31.12.9999

Dimensional drawing

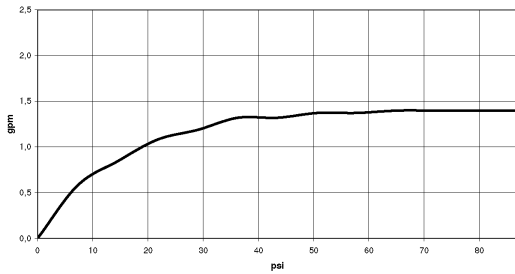




Kitchen - Tara.
Three-hole mixer - Brushed Durabronz
Article number: 20 815 892-28 0010

All dimensions in mm / inch = mm x 0,0394

Flow rate chart





Kitchen - Tara.

Three-hole mixer - Brushed Durabross

Article number: 20 815 892-28 0010

Other surface finishes



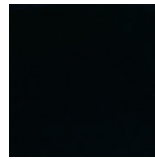
polished chrome
20 815 892-00 0010



platinum matte
20 815 892-06 0010



platinum
20 815 892-08 0010



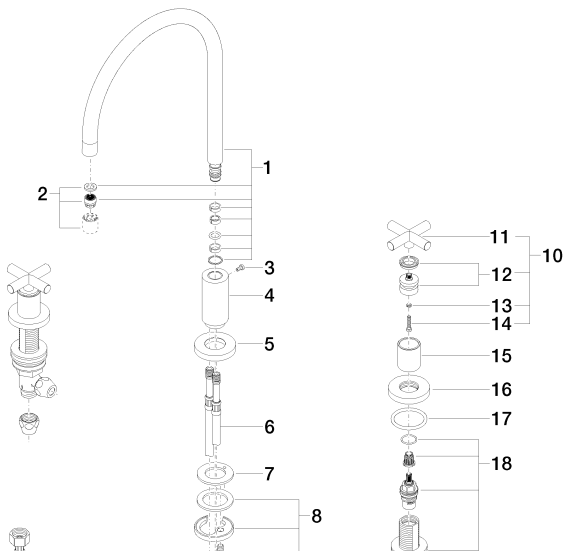
black matte
20 815 892-33 0010



Dark Platinum matte
20 815 892-99 0010

More custom finish options are available via special production (xTra Service). Please see our finish matrix for availability and pricing or contact a Dornbracht representative.

Spare parts list

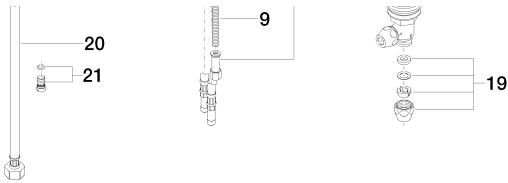


Number	Item Number	Designation	Number of units
1	90 28 22 226 02-28	Outlet 235 mm, 1.5 gpm - Brushed Durabross	1
2	90 23 01 028 00-28	Aerator low pressure M18 - Brushed Durabross	1
3	09 30 30 057 90	Mounting bracket Cylinder screw With hex socket With low head M4 x 8 mm -	1
4	09 11 10 088 10-28	Wall connection DB Logo Ø 35 x 79 mm - Brushed Durabross	1
5	09 28 10 140-28	Escutcheon For washbasin three-hole faucet Ø 59 x Ø 27,5 x 9 mm - Brushed Durabross	1
6	04 30 04 064 00 90	Flexible supply line With union nut Short shaft M10x1 x 420 mm -	2
7	09 14 05 047 90	Washer With bore Ø 48 x 27,2 x 3 mm -	1
8	04 30 11 038 00 90	Mounting bracket with O-Ring Ø40 x 4 mm Ø 52 x 1,5 mm -	1

Kitchen - Tara.

Three-hole mixer - Brushed Durabron

Article number: 20 815 892-28 0010



9	09 31 11 011 90	Mounting bracket Threaded bolts M8 x 80 mm -	1
10	04 20 89 010 00-28	Handle 70 x 70 x 43 mm - Brushed Durabron	2
11	09 20 89 010-28	Handle 70 x 70 x 22,5 mm - Brushed Durabron	2
12	90 12 12 007 00-28	Handle Snap-in socket mount Ø 29 x 26 mm - Brushed Durabron	2
13	09 30 11 029 90	Wall connection Spring washer Ø 4 -	2
14	09 30 30 075 90	Mounting bracket Cylinder screw With hex socket Low head M4 x 20 mm -	2
15	09 21 02 140-28	Hood Ø 30 x 36 mm - Brushed Durabron	2
16	09 27 89 105-28	Escutcheon Ø 55 x Ø 47,3 x 9 mm - Brushed Durabron	2
17	09 14 10 043 90	O-Ring 40,0 x 4,0 mm -	2
18	90 17 11 040 51 90	Deck valve clockwise- closing 1/2" -	2
19	04 23 30 040 00-28	Wall connection Ø 10 mm x 3/8" - Brushed Durabron	2
20	12 501 970 90	Flexible supply line 1/2" x 1/2" x 11-3/4" -	2
21	04 31 20 046 10 92	Plug Ø 11,5 x 20 mm -	1