



TARA ULTRA HOT & COLD WATER DISPENSER - Durabronss (23kt Gold)

TARA ULTRA

17 861 875



- 5-3/4" Projection
- Rigid, thermally insulated spout
- Laminar stream
- Total height 11-3/8"
- 7-1/8" height to aerator/spout outlet
- 1-3/8" hole diameter
- Provides filtered, hot water, 199°F max. temperature
- Provides filtered, cold water (not chilled)
- Water flow rate limited to max. 0.5 gpm
- control unit for wall assembly (5-3/8" x 6-1/4" x 2-3/8")
- electronic valve
- plug-in power supply, 100-230 V, 50-60 Hz, 18 W, incl. country-specific adaptor set
- lead-free
- One lever for hot and cold water

Codes & Standards

- NSF/ANSI 372
- California Energy Commission (CEC)
- ASME A112.18.1/CSA B125.1
- NSF/ANSI/CAN 61
- ADA
- This product contributes to meeting requirements of Green Building Rating Systems, e.g. LEED®, BREEAM®, DGNB

(ADA)

NOTE: Not compatible with Reverse Osmosis

Compatible with Insinkerator® hot water tank HWT300-F2000S. Tank and filter not supplied from Dornbracht. More information on tank and filter at www.insinkerator.com.

In addition, the installation must be above a kitchen sink.

We recommend replacing the filter cartridge every six months. Please see the installation manual for more information.

Specification and technical data sheets can be found on www.dornbracht.com/professional

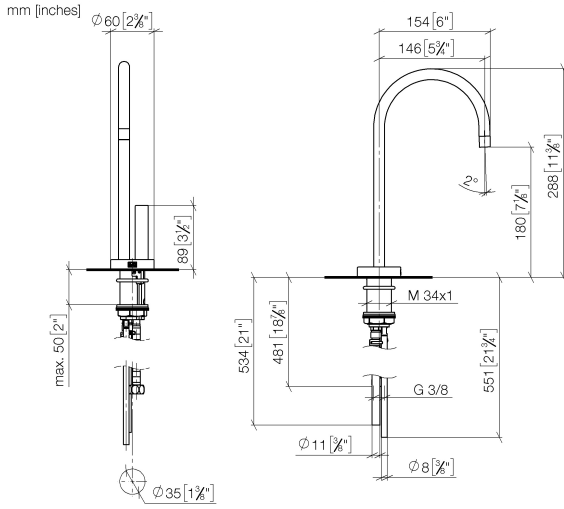
| | | |
|--|--------------------------------|---------------|
| | Durabronss (23kt Gold) | 17 861 875-09 |
| | Chrome | 17 861 875-00 |
| | Brushed Platinum | 17 861 875-06 |
| | Platinum | 17 861 875-08 |
| | Dark Chrome | 17 861 875-19 |
| | Brushed Durabronss (23kt Gold) | 17 861 875-28 |
| | Matte Black | 17 861 875-33 |
| | Brushed Champagne (22kt Gold) | 17 861 875-46 |
| | Champagne (22kt Gold) | 17 861 875-47 |
| | Brushed Chrome | 17 861 875-93 |
| | Brushed Dark Platinum | 17 861 875-99 |



TARA ULTRA HOT & COLD WATER DISPENSER - Durabronze (23kt Gold)

TARA ULTRA

17 861 875



Flow rate chart



Codes & Standards

ADA

ASME
A112.18.1/CSA
B125.1

California Energy
Commission
(CEC)

NSF/ANSI 372

NSF/ANSI/CAN
61



TARA ULTRA HOT & COLD WATER DISPENSER - Durabross (23kt Gold)

TARA ULTRA

17 861 875

Certificates

IAPMO_N-4976. GDV_0400297. IAPMO_6397.

17 861 875

Parts for other finishes can be found here: [Chrome](#)

