



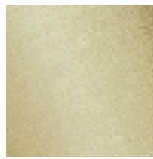
Kitchen - Lot

HOT & COLD WATER DISPENSER - Brushed Durabrass

Article number: 17 861 680-28



- 5-3/4" Projection
- Rigid, thermally insulated spout
- Laminar stream
- Total height 9-1/8"
- 8-3/8" height to aerator/spout outlet
- 1-3/8" hole diameter
- Provides filtered, hot water, 199°F max. temperature
- Provides filtered, cold water (not chilled)
- Water flow rate limited to max. 0.5 gpm
- control unit for wall assembly (5-3/8" x 6-1/4" x 2-3/8")
- electronic valve
- plug-in power supply, 100-230 V, 50-60 Hz, 18 W, incl. country-specific adaptor set
- lead-free
- Fittings group in compliance with DIN 4109: 1
- Compatible with Insinkerator® hot water tank HWT300-F2000S. Tank and filter not supplied from Dornbracht. More information on tank and filter at [www.insinkerator.com](http://www.insinkerator.com).
- In addition, the installation must be above a kitchen sink.
- We recommend replacing the filter cartridge every six months. Please see the installation manual for more information.
- Specification and technical data sheets can be found on [www.dornbracht.com/professional](http://www.dornbracht.com/professional)



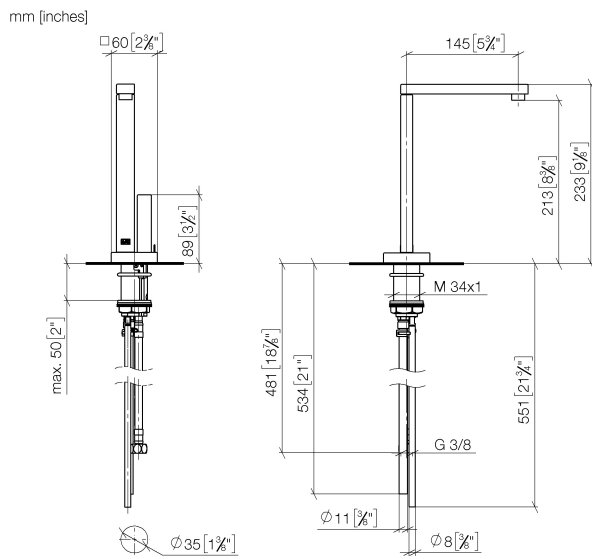
Brushed Durabrass

Discontinued items available to order until 31.12.9999



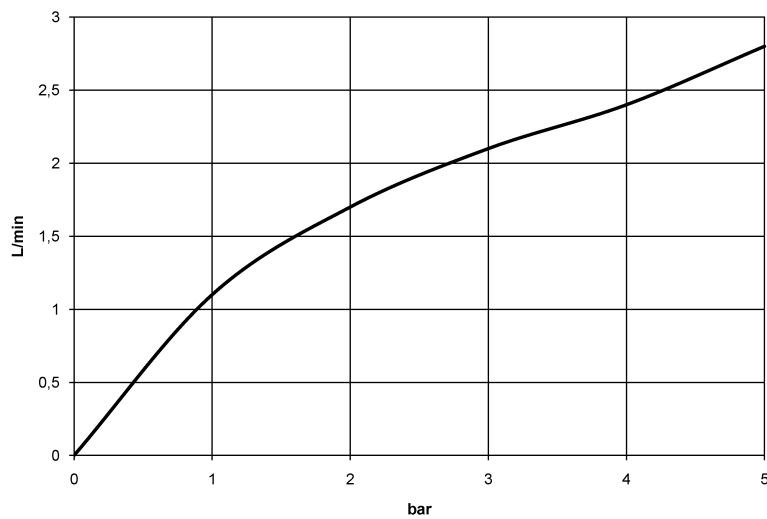
Kitchen - Lot  
HOT & COLD WATER DISPENSER - Brushed Durabronz  
Article number: 17 861 680-28

### Dimensional drawing



All dimensions in mm / inch = mm x 0,0394

### Flow rate chart





Kitchen - Lot  
**HOT & COLD WATER DISPENSER - Brushed Durabross**  
 Article number: 17 861 680-28

Other surface finishes



polished chrome  
 17 861 680-00



platinum matte  
 17 861 680-06



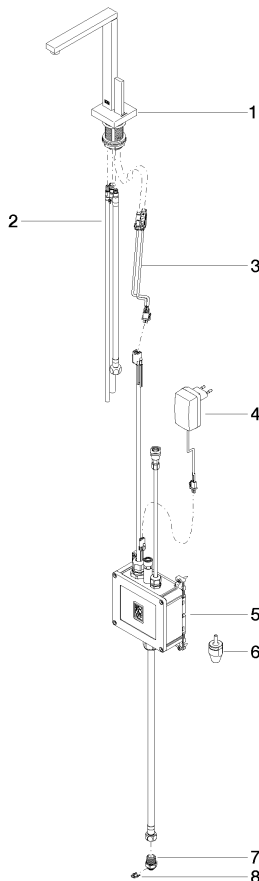
platinum  
 17 861 680-08



Dark Platinum matte  
 17 861 680-99

More custom finish options are available via special production (xTra Service). Please see our finish matrix for availability and pricing or contact a Dornbracht representative.

Spare parts list



Number	Item Number	Designation	Number of units
1	90 17 85 100 03-28	Outlet For hot and cold water dispenser 520 x 200 x 180 mm - Brushed Durabross	1
2	90 30 04 067 00 90	Tube For hot & cold water dispenser Complete set -	1
3	90 10 01 048 00 90	Electronic accessories For hot and cold water dispenser Control unit Electronic component Switch 48 x 253 x 59 mm -	1
4	04 10 01 050 00 90	Power supply Power supply unit International electronic -	1
5	04 11 11 064 00 90	Control unit For hot and cold water dispenser 315 x 85 x 210 mm -	1
6	90 24 04 291 00 90	Wall connection Air admittance valve HCWD Ø 26 x 58 mm -	1
7	09 24 04 293 90	Nipple 20,5 x 23 x 30 mm -	1
8	09 16 01 045 90	Ring 15,4 x 12,48 x 1,39 mm -	1