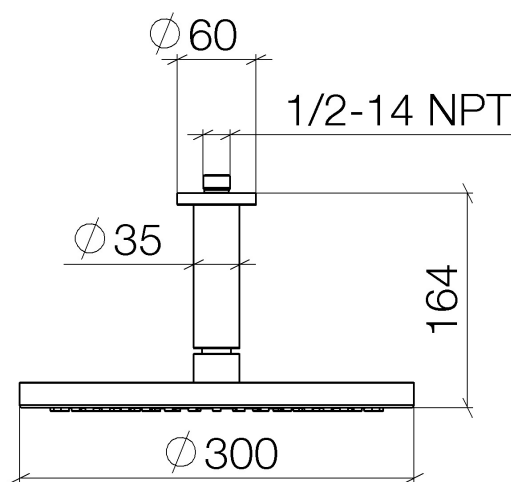




**Product specifications**

- Stream: Rain
- Descaling system
- Rain shower  $\varnothing$  11-3/4"
- 6-1/2" distance between ceiling and bottom of showerhead
- Optional flange  $\varnothing$  2-3/8" included
- 1/2" connection
- Water flow rate limited to max. 2 gpm



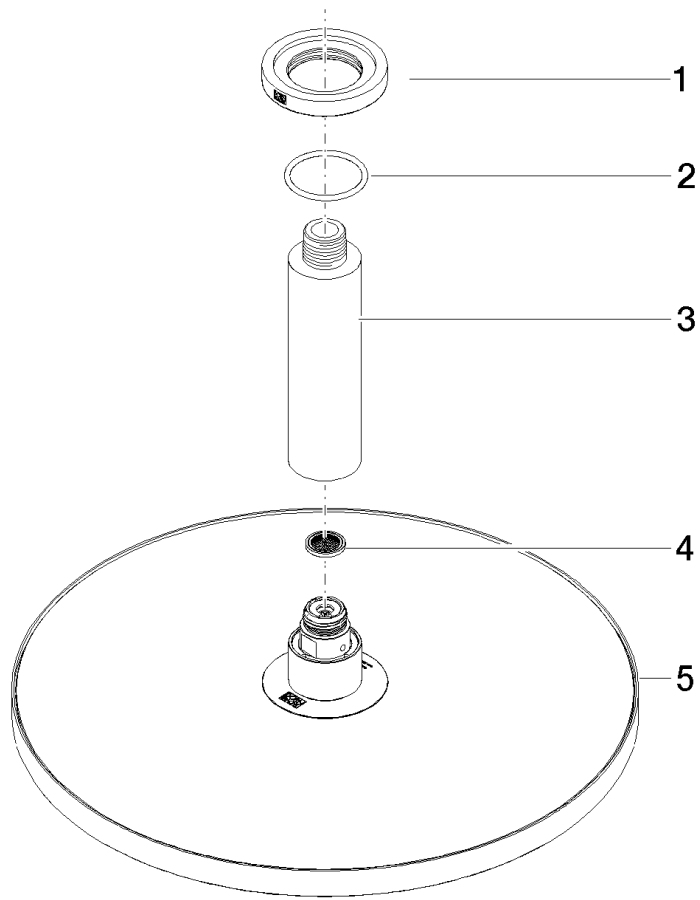
**Surfaces**

- chrome 28589970-000010
- matt platinum 28589970-060010

**Accessories required**

- Concealed wall elbow; 35 085 970

**Exploded assembly drawing**





**Order quantity**

<b>No.</b>	<b>Article number</b>	<b>Name</b>	<b>Installation quantity</b>
1	092722040ff	rosette	1
2	09141014190	seal	1
3	091103080ff	connection	1
4	09230103990	insert	1
5	04120509100ff	shower	1

**Flow rate chart**

