



Kitchen - Tara Classic  
Profi single-lever mixer - platinum matte  
Article number: 33 880 888-06 0010



- 7-7/8" Projection
- Swiveling spout 360°
- Aerated stream and spray mode
- Total height 16-3/8"
- 26-1/8" approximate height of Profi spray
- Height to aerator/spout outlet 10-7/8"
- 1-3/8" hole diameter
- Sprayface with descaling system
- Water flow rate limited to max. 1.5 gpm
- lead-free
- Internal backflow preventer.



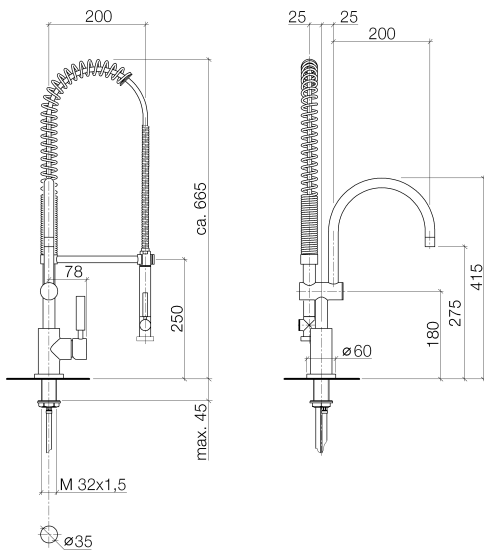
platinum matte

Discontinued items available to order until 31.12.9999



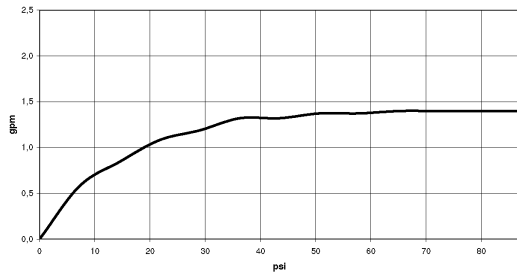
Kitchen - Tara Classic  
Profi single-lever mixer - platinum matte  
Article number: 33 880 888-06 0010

### Dimensional drawing



All dimensions in mm / inch = mm x 0,0394

### Flow rate chart





Kitchen - Tara Classic  
Profi single-lever mixer - platinum matte  
Article number: 33 880 888-06 0010

### Other surface finishes



polished chrome  
33 880 888-00 0010

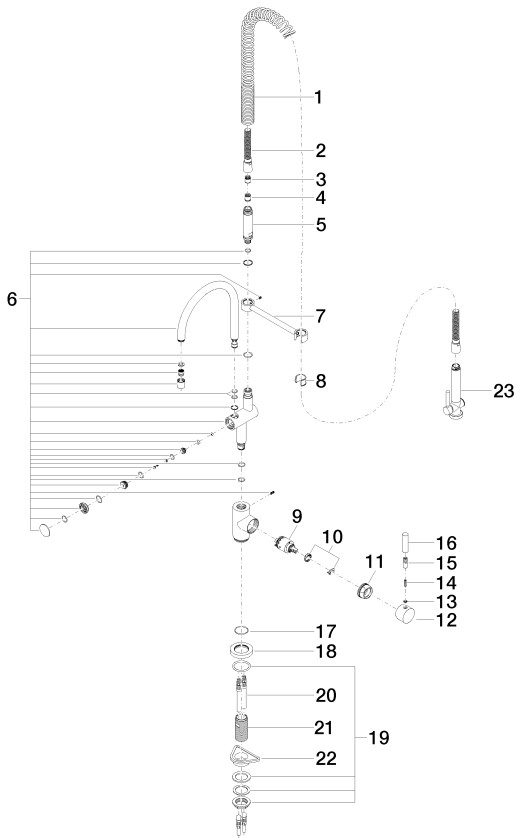


platinum  
33 880 888-08 0010

More custom finish options are available via special production (xTra Service). Please see our finish matrix for availability and pricing or contact a Dornbracht representative.

### Spare parts list

**Kitchen - Tara Classic**  
**Profi single-lever mixer - platinum matte**  
 Article number: 33 880 888-06 0010



Number	Item Number	Designation	Number of units
1	09 16 02 034 90	Feather For Profi fittings 190 mm -	1
2	09 30 02 065-06	Tube Cone-to-cone 1/2" x 1/2" x 775 mm - platinum matte	1
3	09 23 01 047 90	Flow limiter with back- flow prevention 2.1 gpm -	1
4	09 23 01 141 90	Back-flow preventer Without regulator Ø 15 x 16 mm -	1
5	09 30 01 067 10-06	Wall connection Ø 24,5 x 115,5 mm - platinum matte	1
6	90 19 88 019 01-06	Outlet 335 x 282 x 36 mm - platinum matte	1
7	04 17 20 014 00-06	Holder 39 x 20 x 238 mm - platinum matte	1
8	09 18 40 035 90	Sleeve -	1
9	90 15 05 063 00 90	cartridge black Ø 35 x 70 mm -	1
10	04 28 10 148 00 90	cartridge Flow and temperature regulation -	1
11	09 24 04 107-06	Wall connection Ø 40 x 20 mm - platinum matte	1
12	90 20 88 040 00-06	Handle Lever base 98 x 64 x 64 mm - platinum matte	1
13	09 30 11 032 90	Mounting bracket Serrated washer Ø 5,3 -	1
14	09 31 11 010 90	Mounting bracket Threaded pin With hex socket Self-locking M5 x 20 mm -	1
15	09 24 04 048-06	Handle Lever Ø 10 x 30 mm - platinum matte	1
16	09 20 62 005-06	Handle Lever Ø 15 x 55 mm - platinum matte	1
17	09 14 10 102 90	O-Ring 33,05 x 1,78 mm -	1
18	09 28 10 055-06	Escutcheon Ø 60 x Ø 38,2 x 10 mm - platinum matte	1
19	04 23 10 009 02 90	Mounting bracket With seals M32 x 1,5 -	1
20	04 30 04 045 00 90	Flexible supply line Short shaft 3/8" -	2
21	09 30 01 010 90	Wall connection Ø 32 x 70 mm -	1
22	09 18 40 090 90	Mounting bracket 89 x 58 x 18,5 mm -	1
23	04 12 11 097 11-06	shower head Sprayer 58,5 x 164,5 x 35 mm - platinum matte	1